



US00D815698S

(12) **United States Design Patent** (10) **Patent No.:** **US D815,698 S**
Kanbar (45) **Date of Patent:** **** Apr. 17, 2018**

- (54) **DREIDEL SPINNING TOY**
- (71) Applicant: **Drinx, LLC**, San Francisco, CA (US)
- (72) Inventor: **Maurice Kanbar**, San Francisco, CA (US)
- (73) Assignee: **Drinx, LLC**, San Francisco, CA (US)
- (**) Term: **15 Years**
- (21) Appl. No.: **29/594,278**
- (22) Filed: **Feb. 16, 2017**
- (51) **LOC (11) Cl.** **21-01**
- (52) **U.S. Cl.**
USPC **D21/460**
- (58) **Field of Classification Search**
USPC 273/147, 288; 446/46-48, 236-240, 446/241-245, 246-255, 256-266, 268, 446/325, 330; D10/122, 123, 125, 46.1; D20/10, 21, 23, 27; D21/347, 350, 365, D21/369, 371, 374, 375, 385, 386, 398, D21/436, 437, 441, 443, 444, 455, 458, D21/459, 460-464, 491, 493, 504
CPC A63H 1/00; A63H 33/40; A63H 13/20; A63H 1/32; A63F 7/382; A63F 2250/491; A63F 9/26
See application file for complete search history.

- D631,104 S * 1/2011 With D21/485
- D685,035 S * 6/2013 Kanbar D21/460
- D687,105 S * 7/2013 Menting D21/386
- D687,107 S * 7/2013 Kanbar D21/373
- D719,619 S * 12/2014 Sawyer D21/373
- 2004/0077271 A1* 4/2004 Schaer A63H 1/00 446/236
- 2007/0062082 A1* 3/2007 Owusu-Atuahene . A63F 9/0415 40/503
- 2010/0120324 A1* 5/2010 Goozner A63H 1/24 446/256
- 2016/0136517 A1* 5/2016 Putland A63F 9/26 273/449

* cited by examiner

Primary Examiner — Cynthia Ramirez
Assistant Examiner — Michael A Maharajh
(74) *Attorney, Agent, or Firm* — Chhabra Law Firm, PC

(57) **CLAIM**

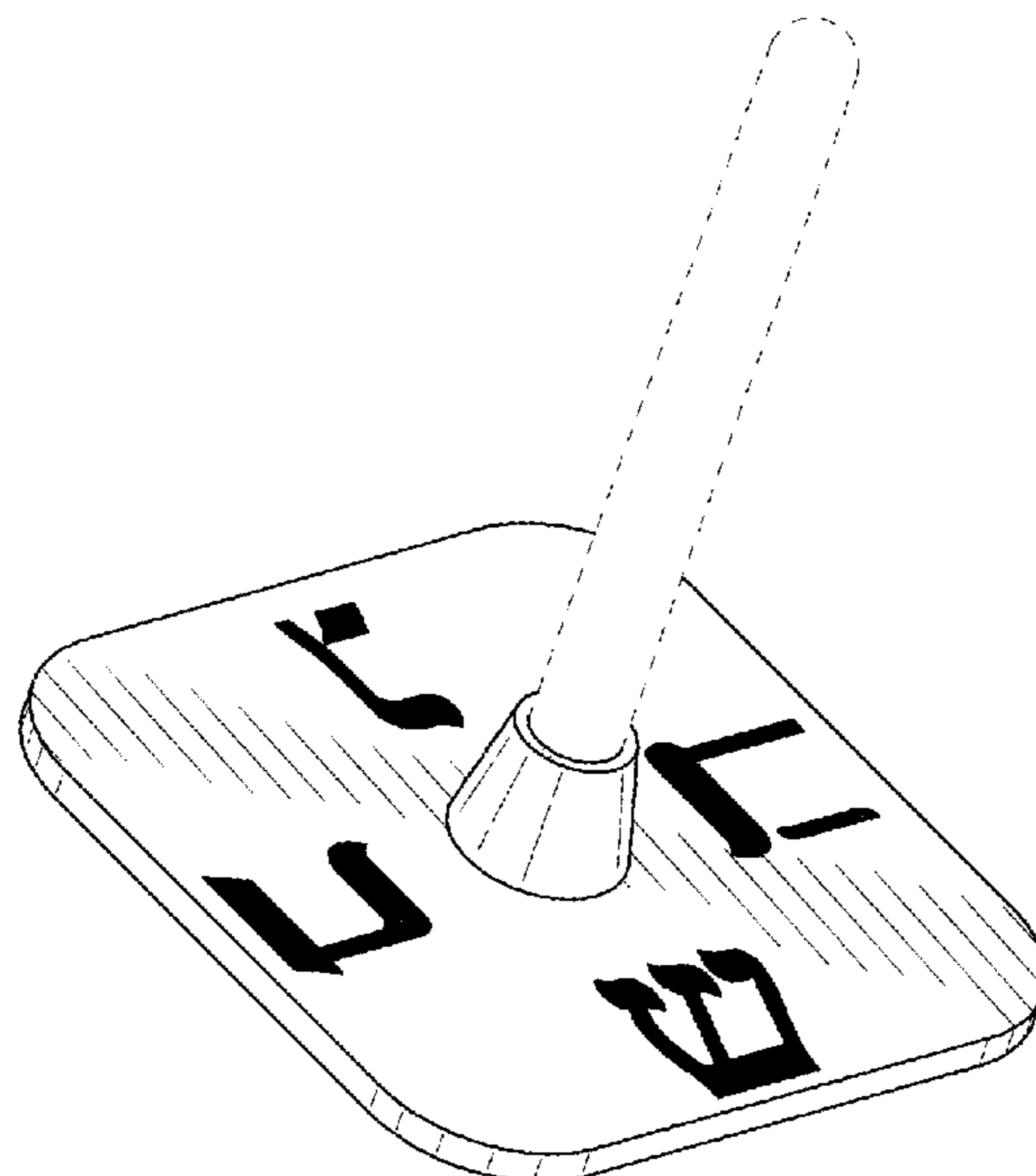
The ornamental design for a dreidel spinning toy, as shown and described.

DESCRIPTION

FIG. 1 is a front perspective view of a dreidel spinning top, illustrating the novel design.
FIG. 2 is an exploded perspective view thereof.
FIG. 3 is a bottom perspective view thereof.
FIG. 4 is a right side view thereof.
FIG. 5 is a left side view thereof.
FIG. 6 is a front view thereof.
FIG. 7 is a back thereof.
FIG. 8 is a top view thereof; and,
FIG. 9 is a bottom view thereof.
The broken lines in the drawings are for the purpose of illustrating environmental structure, which form no part of the claimed design.

1 Claim, 4 Drawing Sheets

- (56) **References Cited**
U.S. PATENT DOCUMENTS
1,872,203 A * 8/1932 Wily A63H 1/00 446/243
D226,120 S * 1/1973 Ogsbury D21/491
D286,657 S * 11/1986 Fields D21/443
4,960,401 A * 10/1990 Ross A63H 1/00 446/256



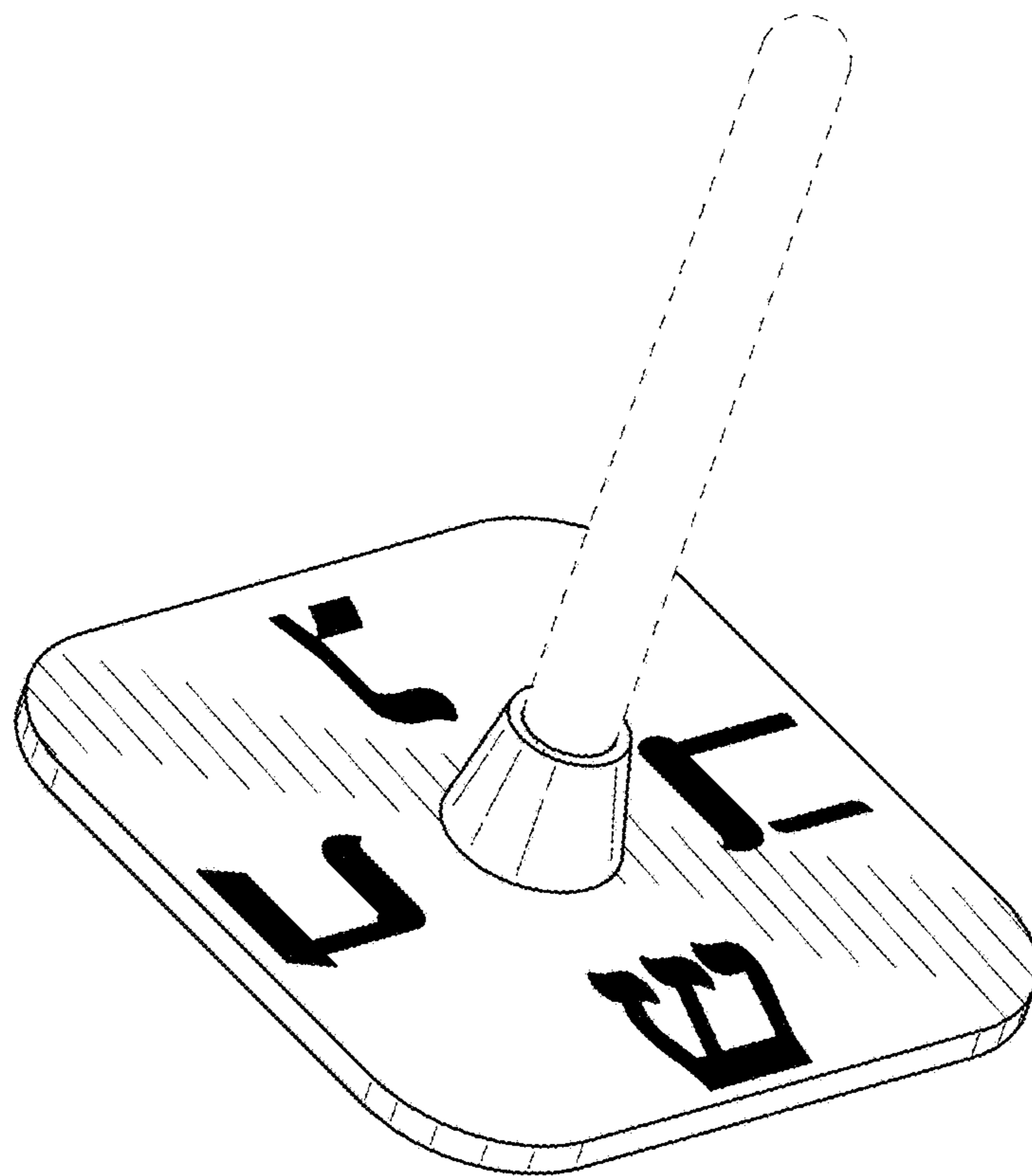


FIG. 1

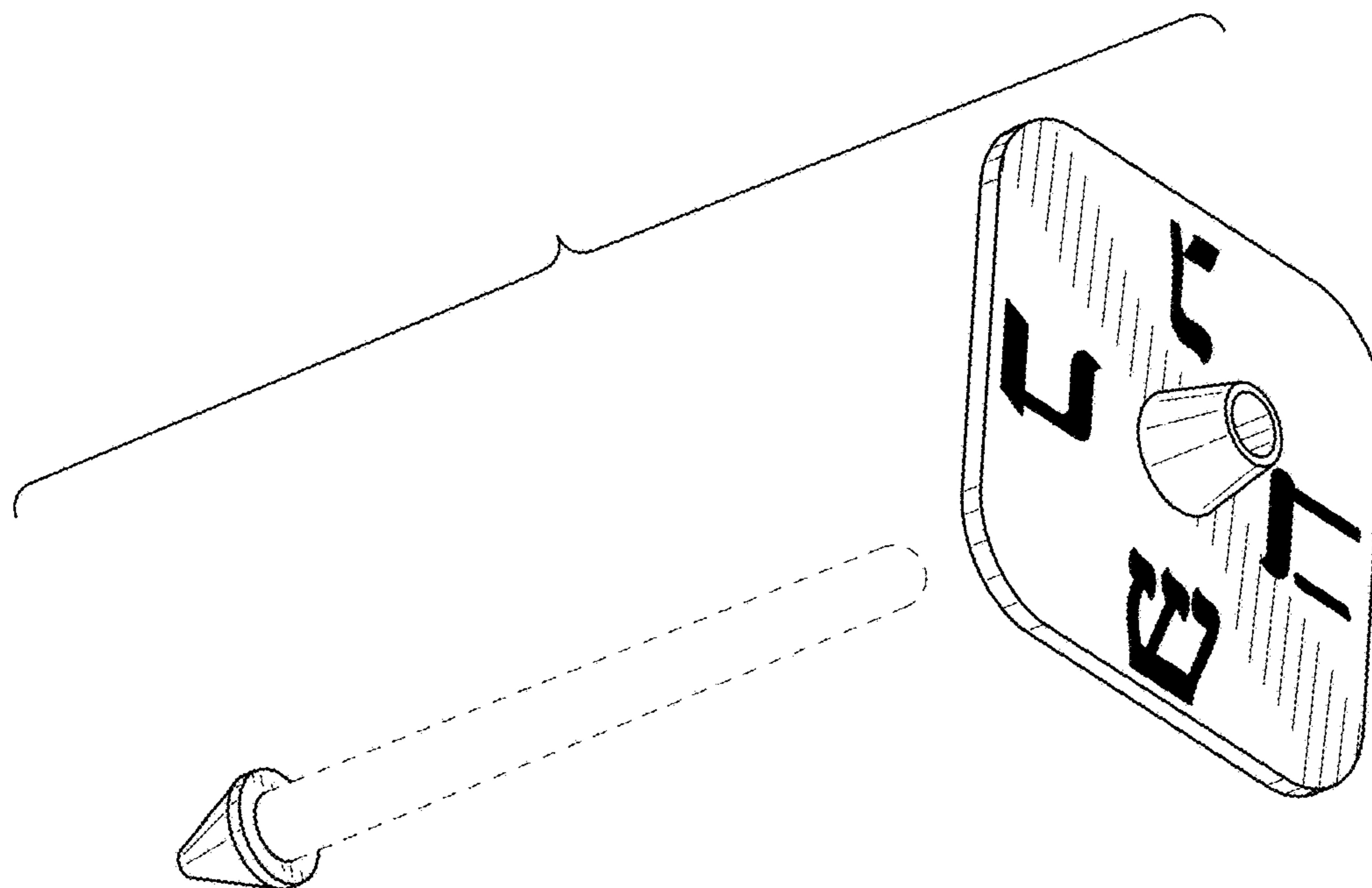


FIG. 2

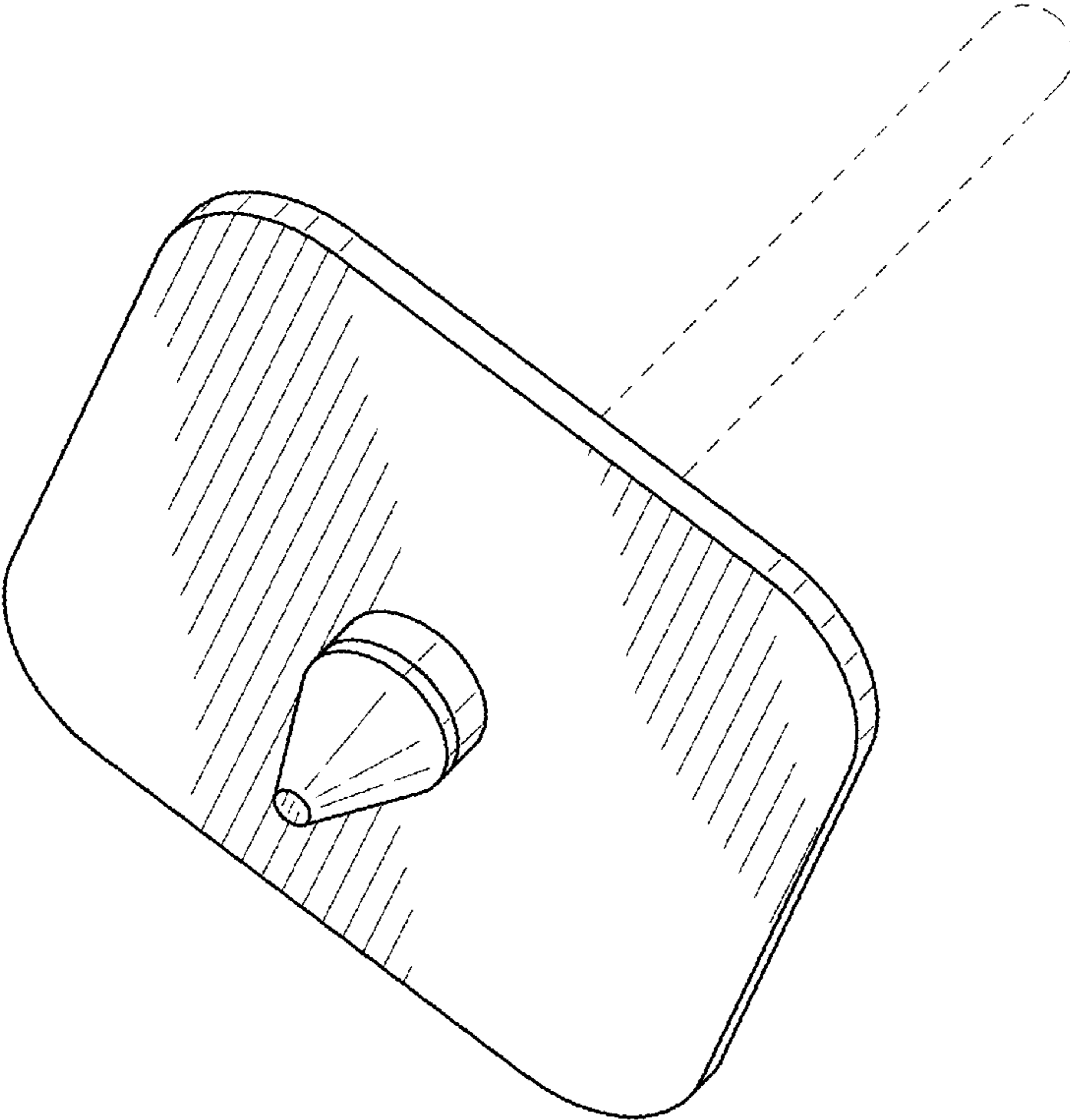


FIG. 3

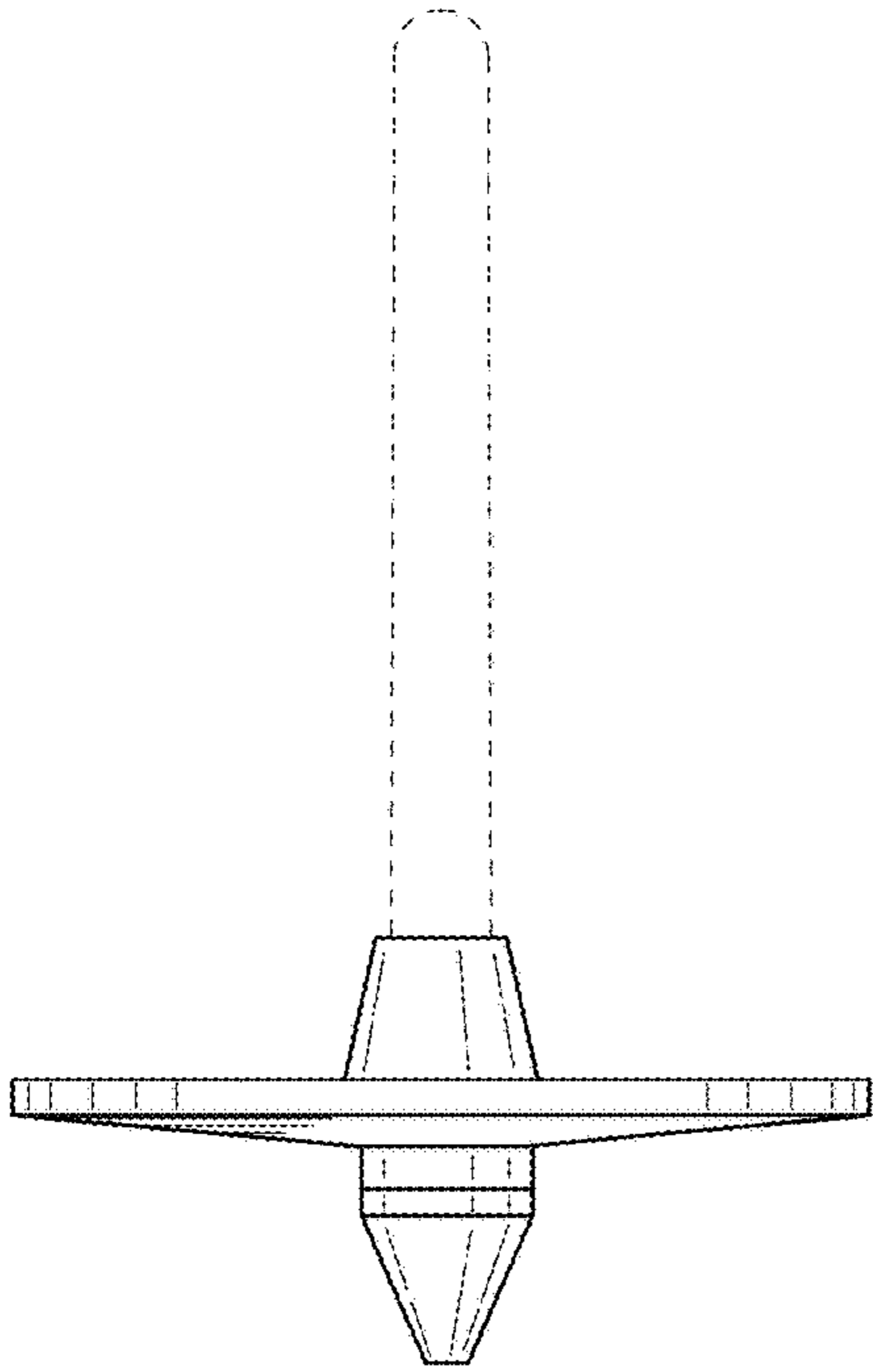


FIG. 4

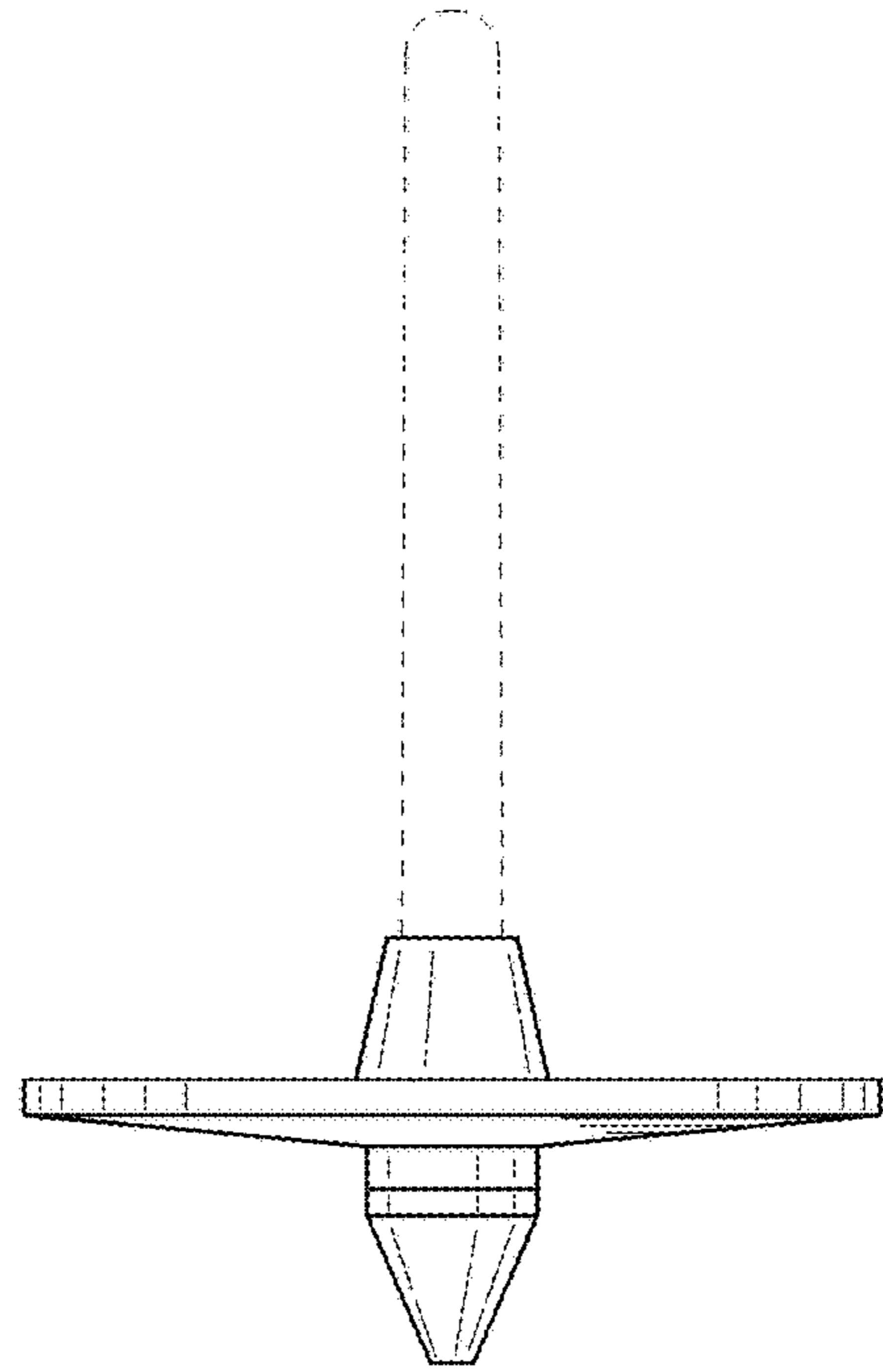


FIG. 5

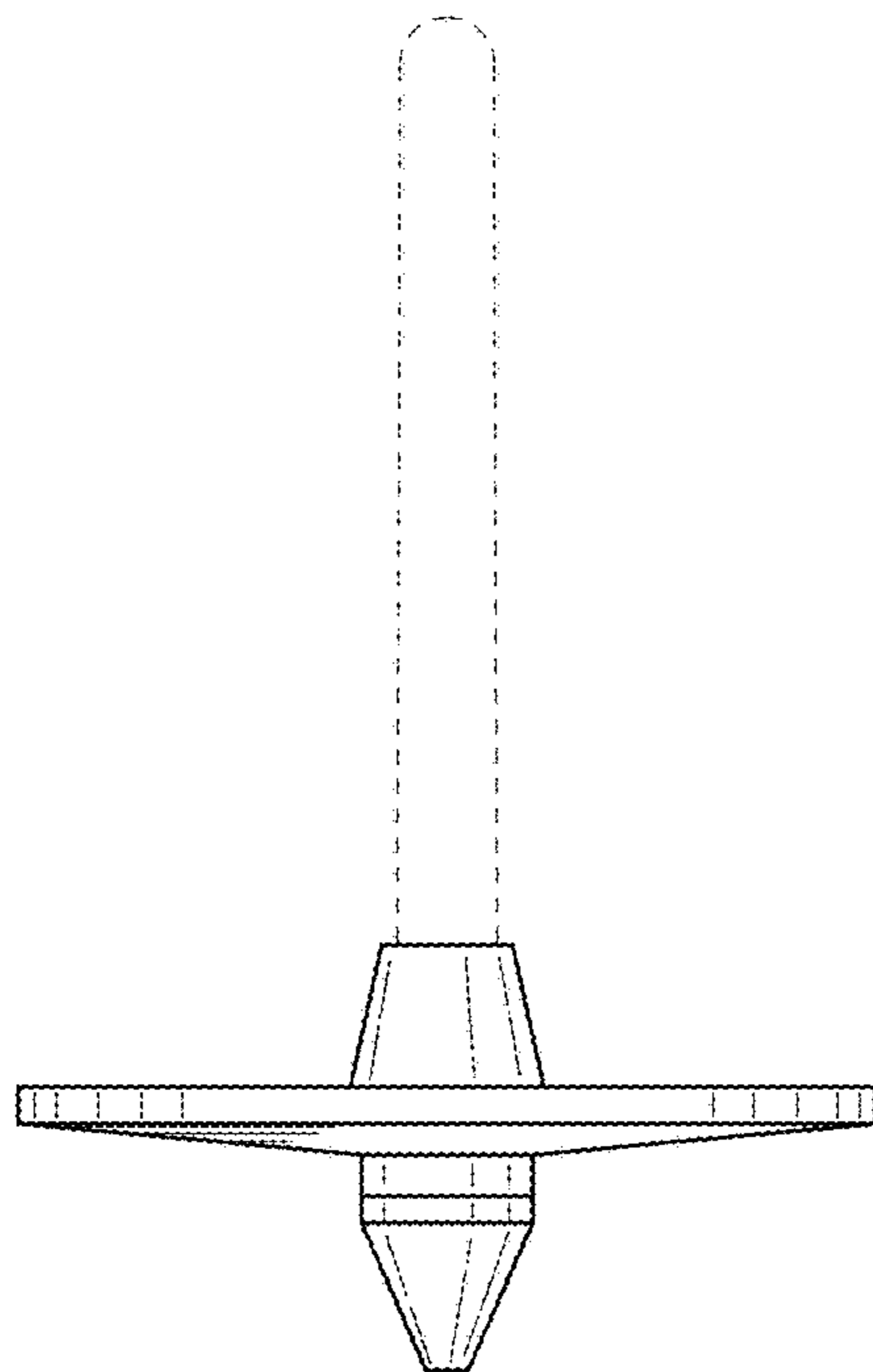


FIG. 6

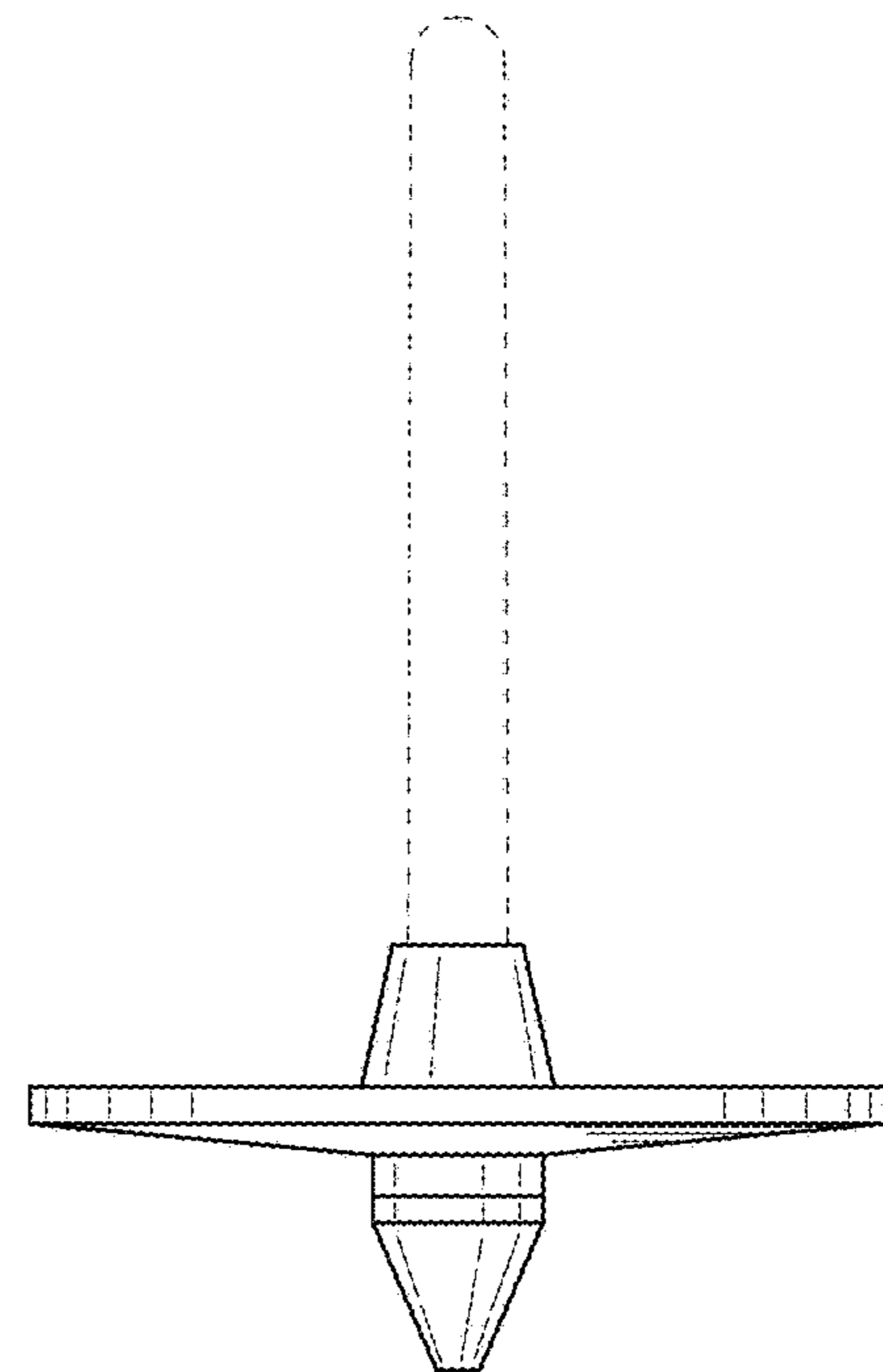


FIG. 7



FIG. 8

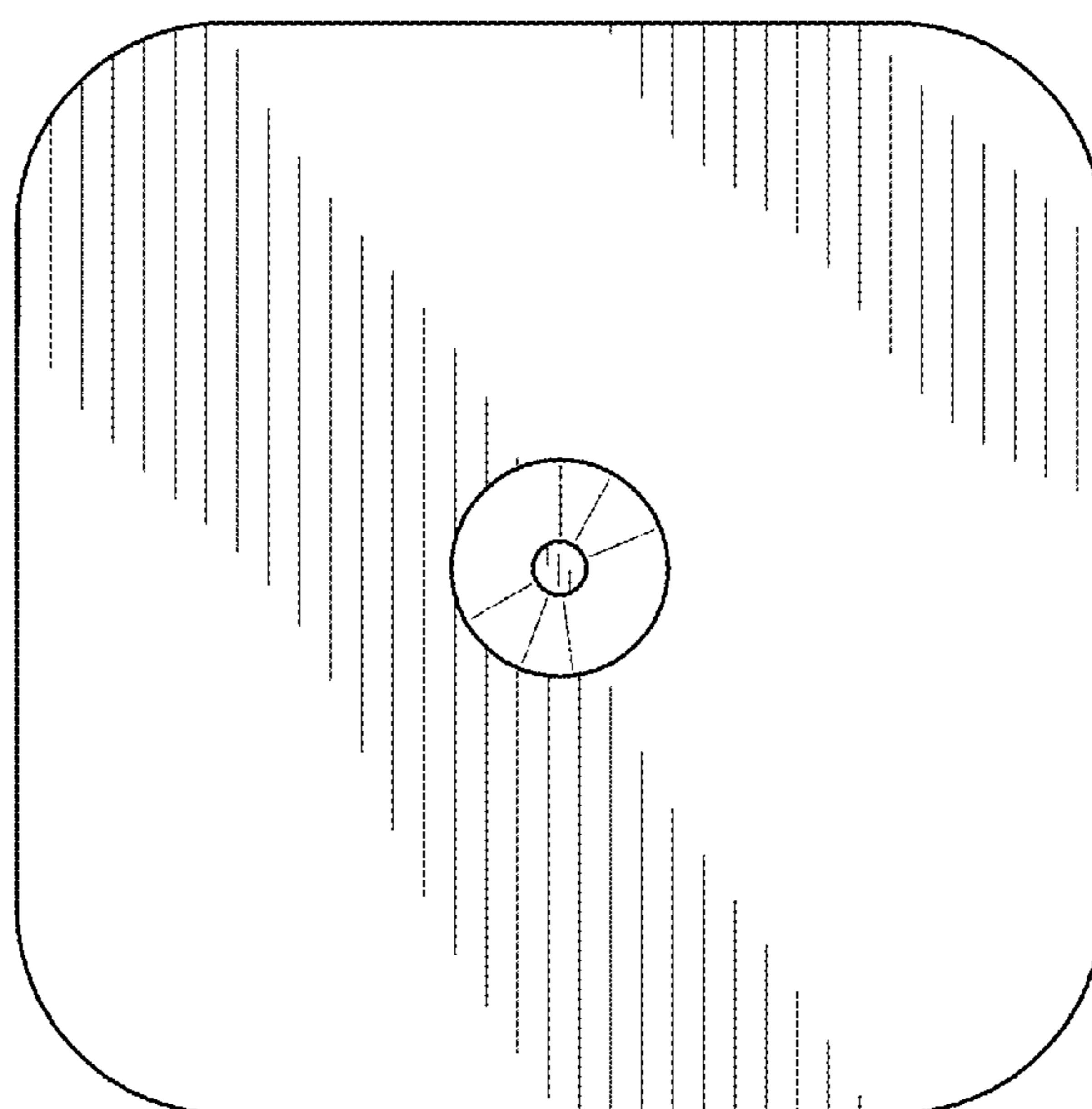


FIG. 9