



US00D815697S

(12) **United States Design Patent** (10) **Patent No.:** **US D815,697 S**  
**Chen et al.** (45) **Date of Patent:** **\*\* Apr. 17, 2018**

(54) **HAND-HELD CONTROLLER FOR VIRTUAL-REALITY SYSTEM**

(71) Applicant: **Oculus VR, LLC**, Menlo Park, CA (US)

(72) Inventors: **Yi-yaun Chen**, Seattle, WA (US); **Peter Wesley Bristol**, Seattle, WA (US); **Robert Hubler**, Seattle, WA (US); **Quintin Morris**, Issaquah, WA (US)

(73) Assignee: **OCULUS VR, LLC**, Menlo Park, CA (US)

(\*\*) Term: **15 Years**

(21) Appl. No.: **29/595,342**

(22) Filed: **Feb. 27, 2017**

**Related U.S. Application Data**

(63) Continuation of application No. 29/529,981, filed on Jun. 11, 2015, now Pat. No. Des. 780,807.

(51) **LOC (11) Cl.** ..... **21-01**

(52) **U.S. Cl.**  
 USPC ..... **D21/333**; D14/496; D14/203.3; D14/203.5

(58) **Field of Classification Search**

USPC ..... D14/496, 401, 435, 474, 483, 217, 137, D14/138, 160, 168, 356, 203.1–203.8, D14/507; 345/156, 169, 173–179, 905; 715/727–729, 864, 700, 706, 719; 710/1, 710/5, 8; 713/1, 600; 455/1.1, 1.7, 73, 455/344–347, 93, 95, 3.01–3.06, 550.1, 455/573.1; 370/342–344; 369/1, 2, 369/6–12; 463/51–57, 40–47, 1, 29–35; D21/324, 328, 333; 273/148 B; D10/46.1

(Continued)

(56) **References Cited**

U.S. PATENT DOCUMENTS

5,265,009 A \* 11/1993 Colavita ..... A63F 1/18  
 273/148 R

D418,879 S 1/2000 Hornsby et al.  
 (Continued)

OTHER PUBLICATIONS

Chen, Office Action, U.S. Appl. No. 29/529,981, dated Apr. 7, 2016, 5 pgs.

(Continued)

*Primary Examiner* — Prabhakar G Deshmukh

(74) *Attorney, Agent, or Firm* — Morgan, Lewis & Bockius LLP

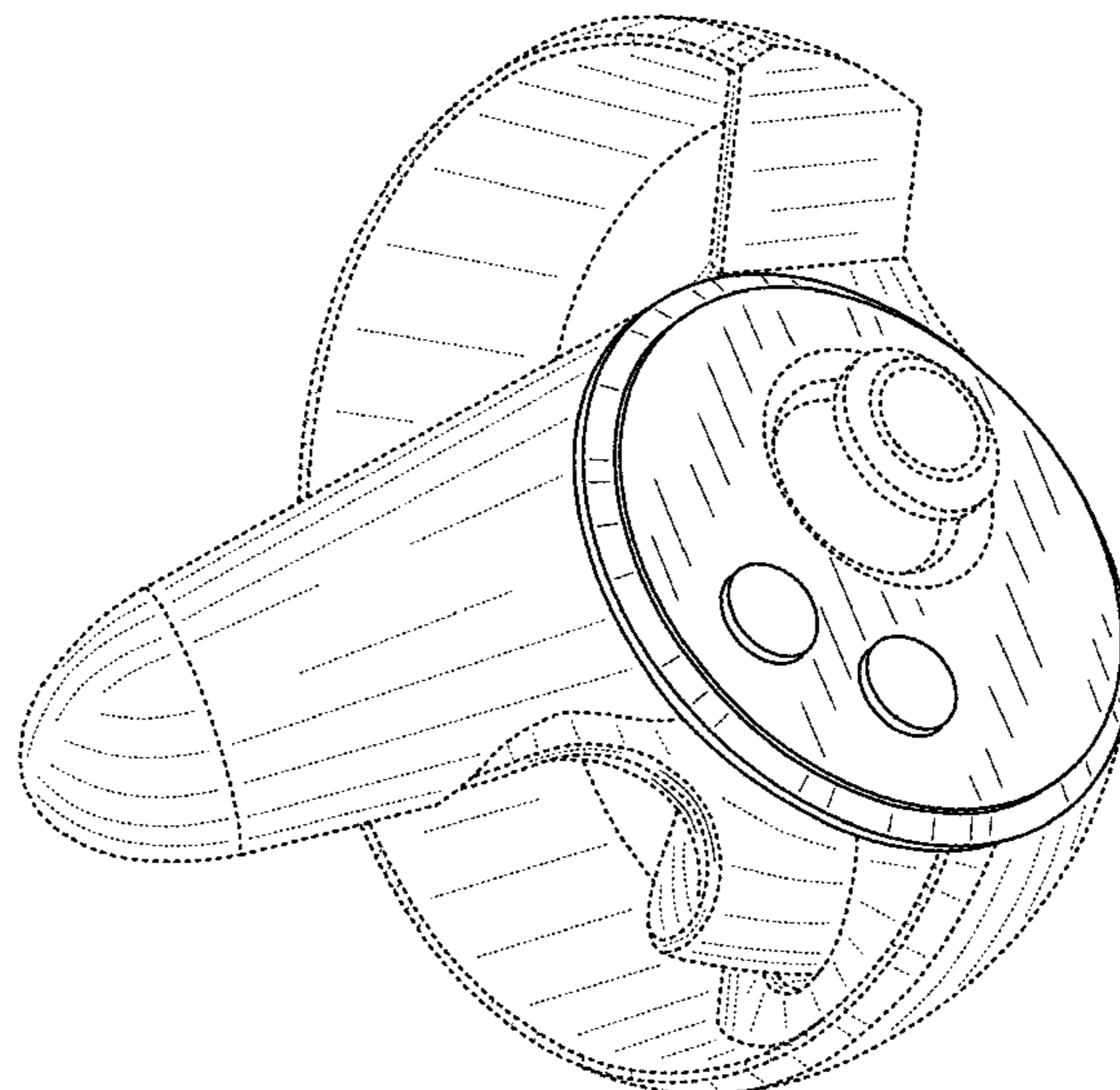
(57) **CLAIM**

The ornamental design for a hand-held controller for virtual-reality system, as shown and described.

**DESCRIPTION**

FIG. 1 is a top, left perspective view of a hand-held controller for virtual reality system showing our new design; FIG. 2 is a top, right perspective view thereof; FIG. 3 is a top, right-rear perspective view thereof; FIG. 4 is a top plan view thereof; FIG. 5 is a left side elevational view thereof; FIG. 6 is a right side elevational view thereof; FIG. 7 is a right-rear elevational view thereof; FIG. 8 is a left-rear elevational view thereof; and, FIG. 9 is a rear elevational view of the design of FIGS. 1-8. The broken lines indicate unclaimed portions and form no part of the claimed design. The claimed design discloses a left-hand use of the article and it is understood that the right-hand use of the article is the mirror image of the disclosed claimed design.

**1 Claim, 9 Drawing Sheets**



(58) **Field of Classification Search**

CPC .. A63F 13/00; A63F 13/02; A63F 9/00; G06F  
17/00; G06F 19/00

See application file for complete search history.

(56) **References Cited**

U.S. PATENT DOCUMENTS

6,430,110 B2 8/2002 Baroche  
6,970,157 B2 11/2005 Siddeeq  
7,106,197 B2\* 9/2006 Gaiotto ..... B64D 45/0015  
340/539.11  
D586,823 S \* 2/2009 Anderson ..... D14/496  
D616,417 S 5/2010 Liao  
8,188,842 B2 5/2012 Otsuka et al.  
D729,803 S \* 5/2015 Avery ..... D14/401  
9,141,087 B2\* 9/2015 Brown ..... G04F 10/00  
D742,972 S 11/2015 Corrigan et al.  
9,421,472 B2\* 8/2016 Buller ..... A63F 13/24  
D772,986 S \* 11/2016 Chen ..... D14/203.3  
D780,807 S \* 3/2017 Chen ..... D14/203.3  
D795,959 S \* 8/2017 Chen ..... D14/203.3  
D800,841 S \* 10/2017 Chen ..... D21/333  
D802,055 S \* 11/2017 Chen ..... D21/333  
2016/0364910 A1\* 12/2016 Higgins ..... G02B 27/017  
2017/0128828 A1\* 5/2017 Long ..... A63F 13/235

OTHER PUBLICATIONS

Chen, Notice of Allowance, U.S. Appl. No. 29/529,981, dated Oct.  
19, 2016, 7 pgs.

Chen, Notice of Allowance, U.S. Appl. No. 29/595,343, dated Jan.  
2, 2018, 6 pgs.

\* cited by examiner

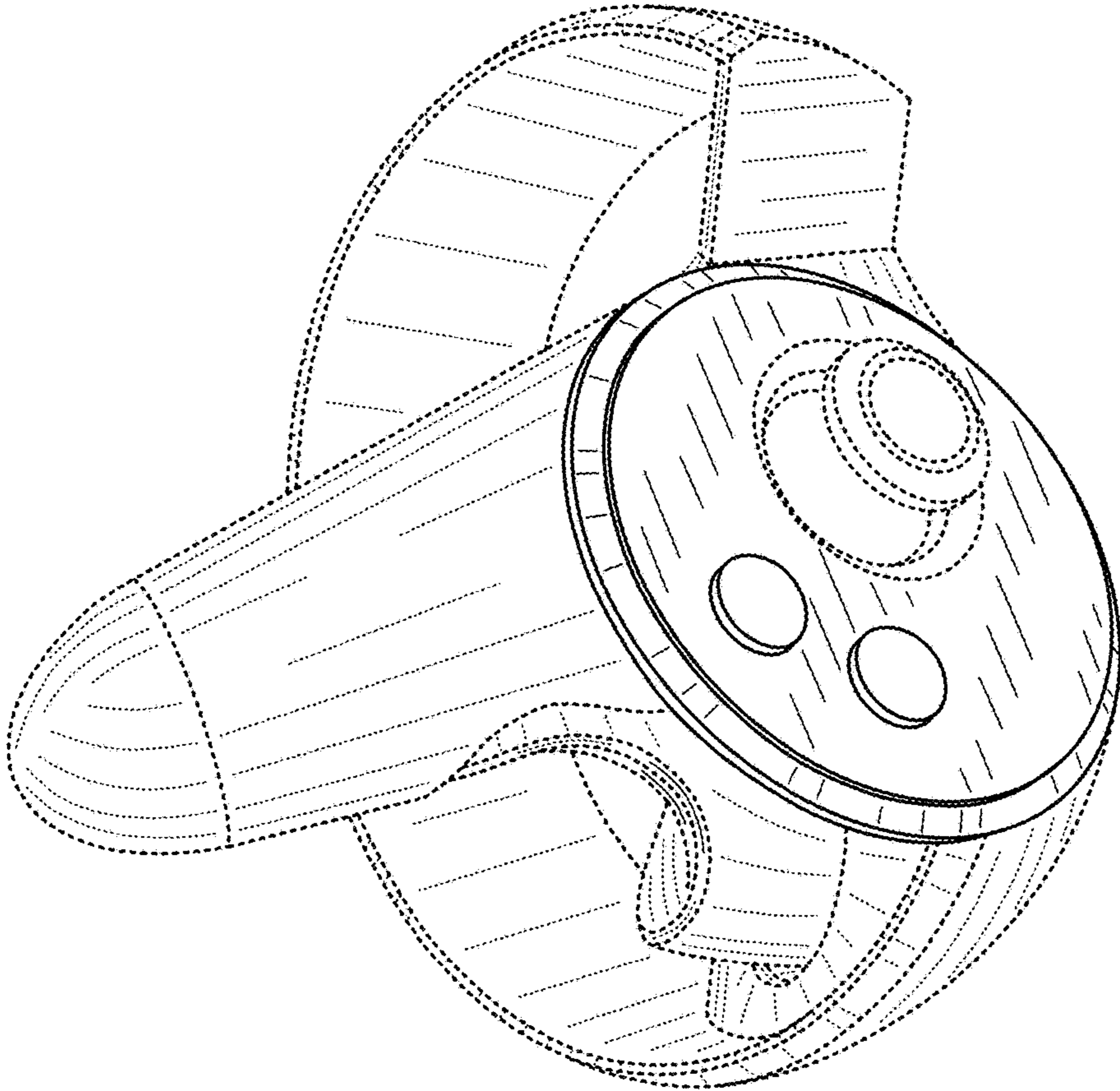


Figure 1

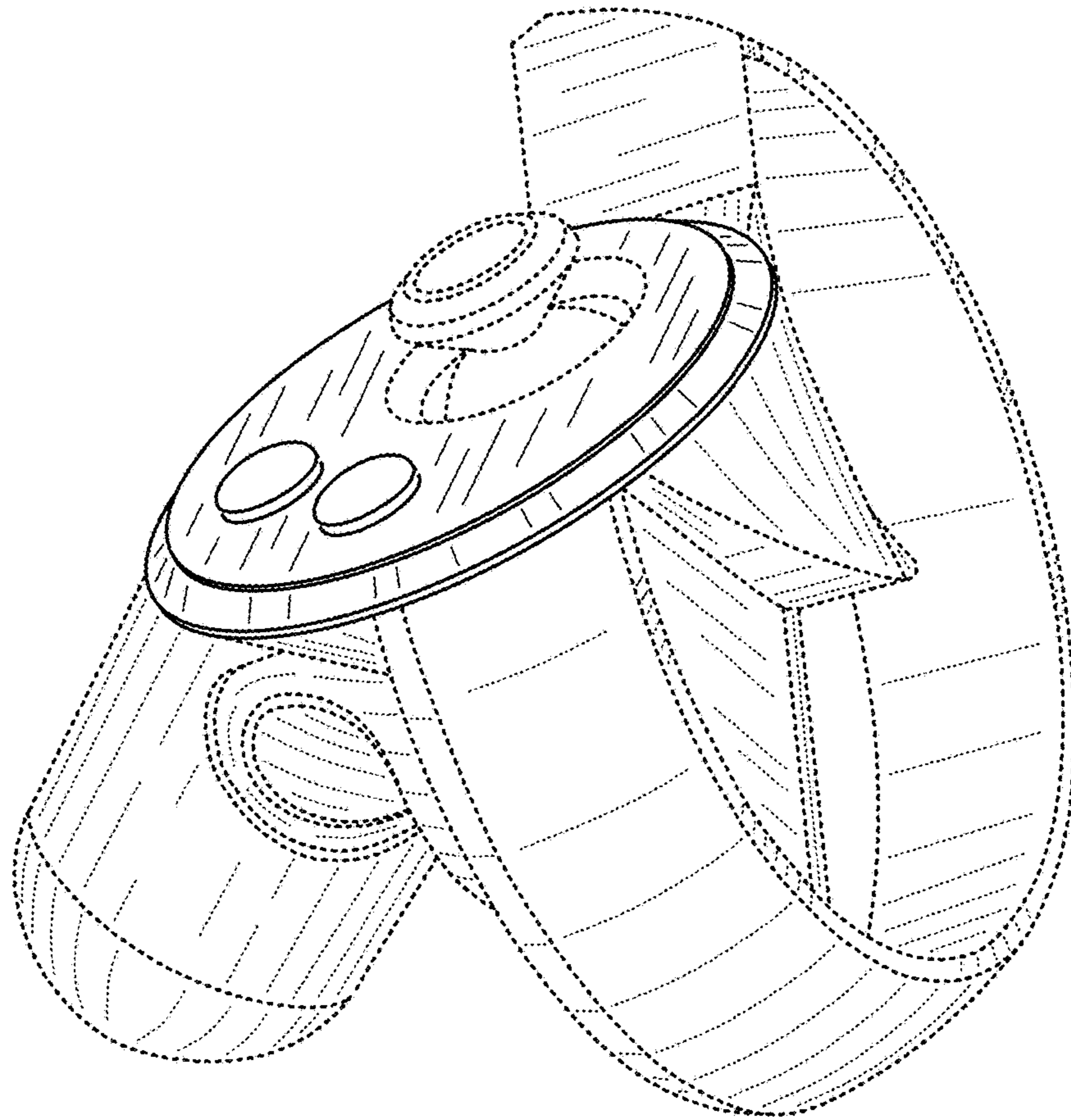


Figure 2



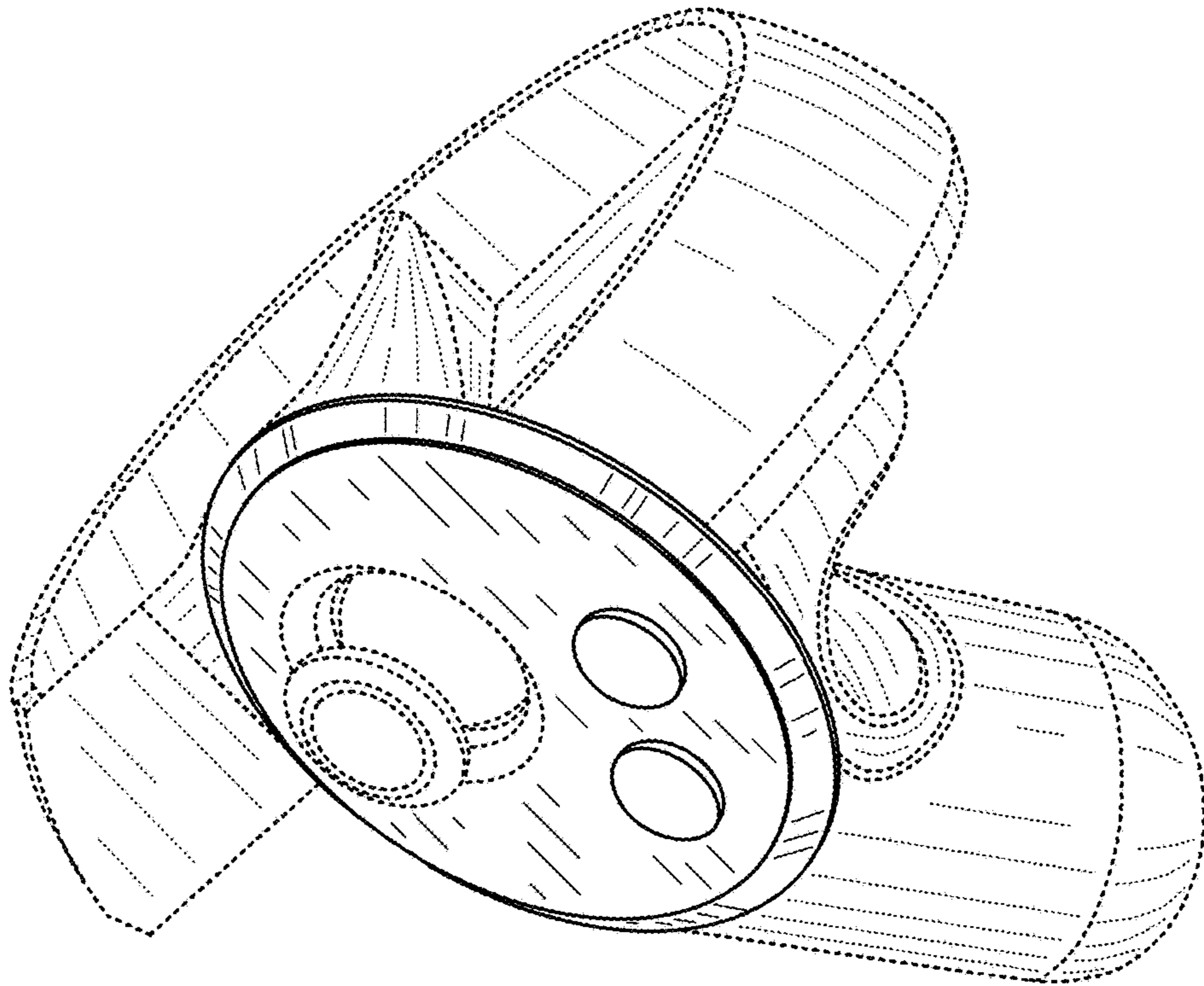


Figure 3

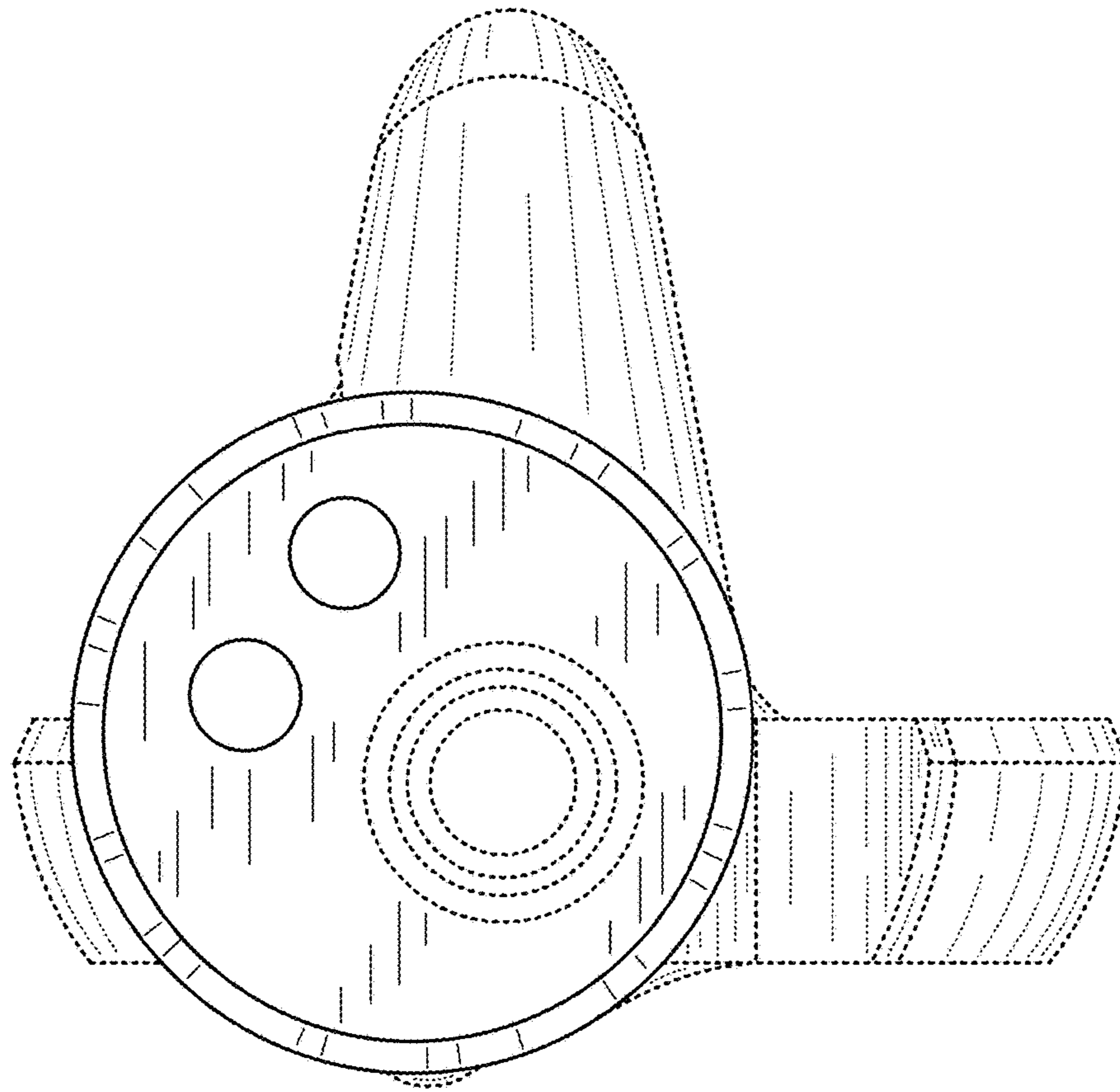


Figure 4

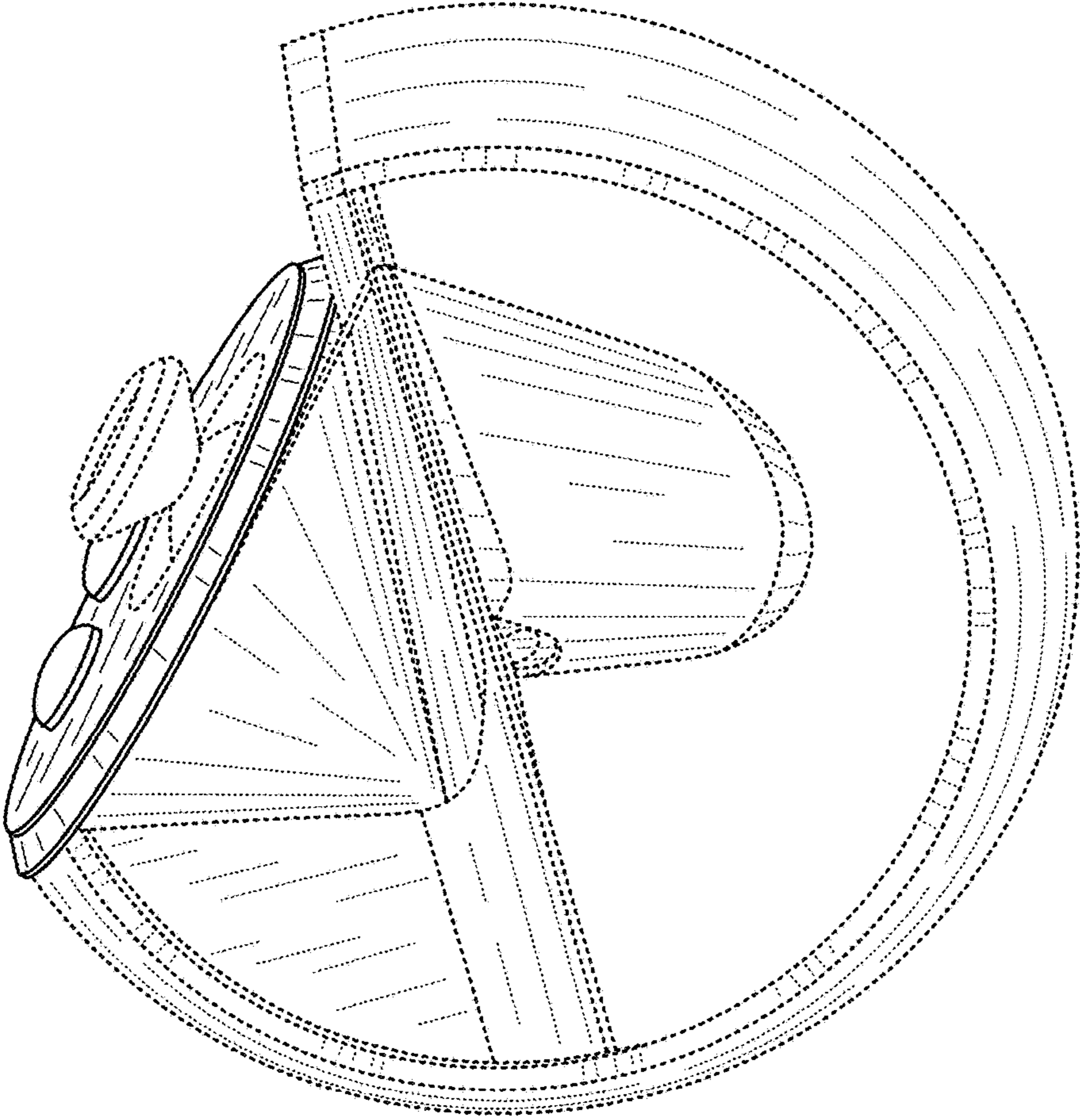


Figure 5

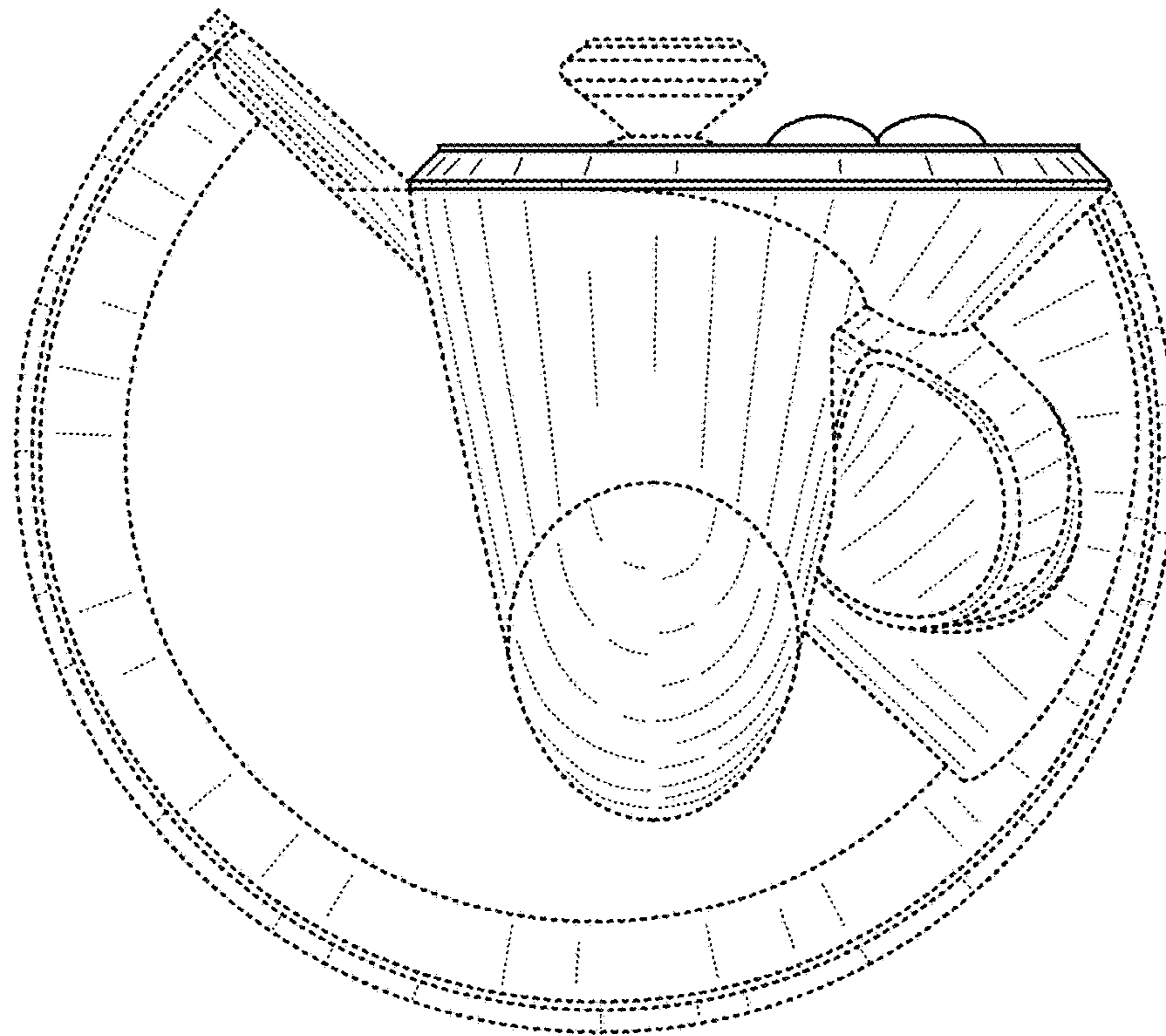


Figure 6



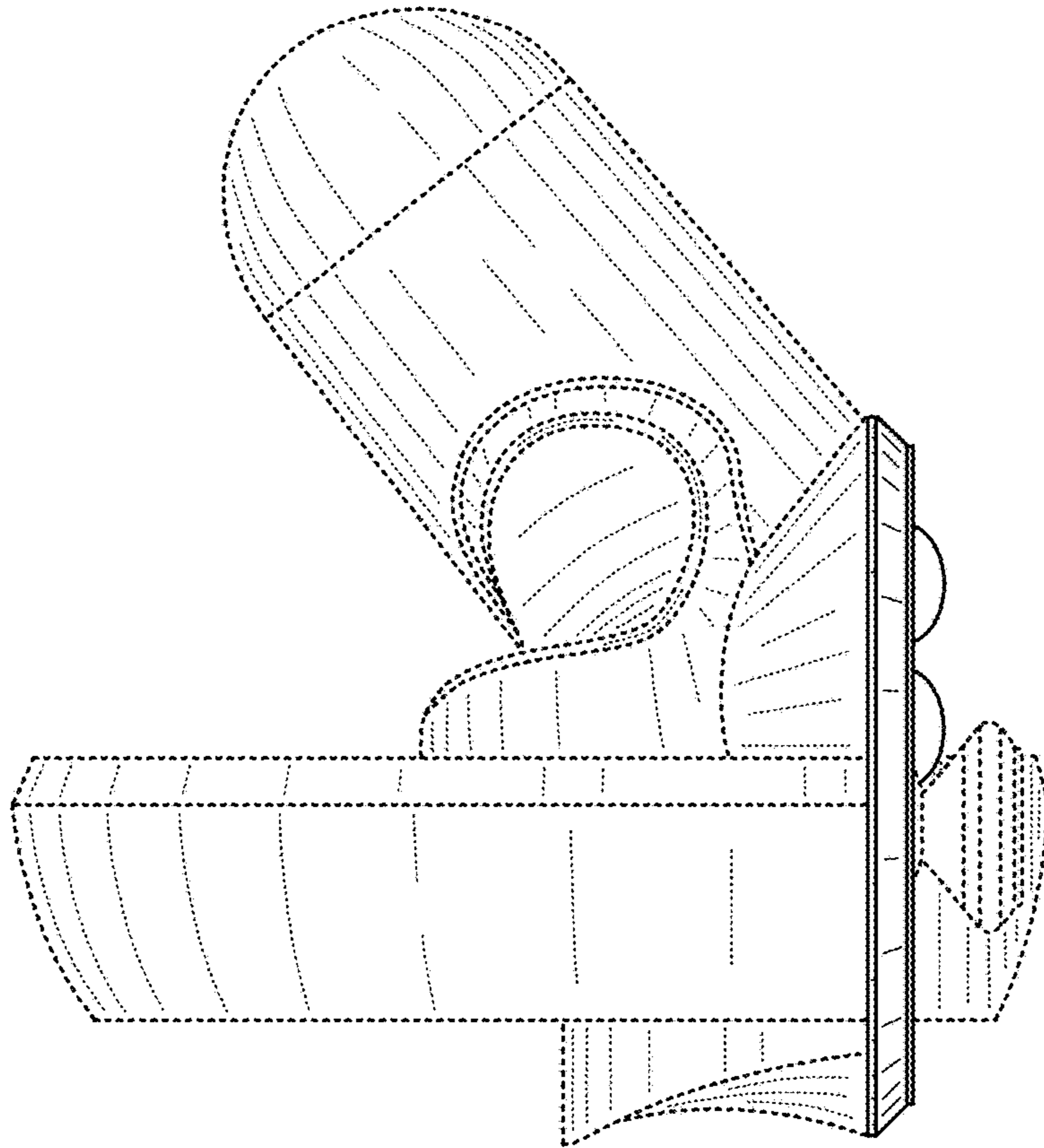


Figure 7

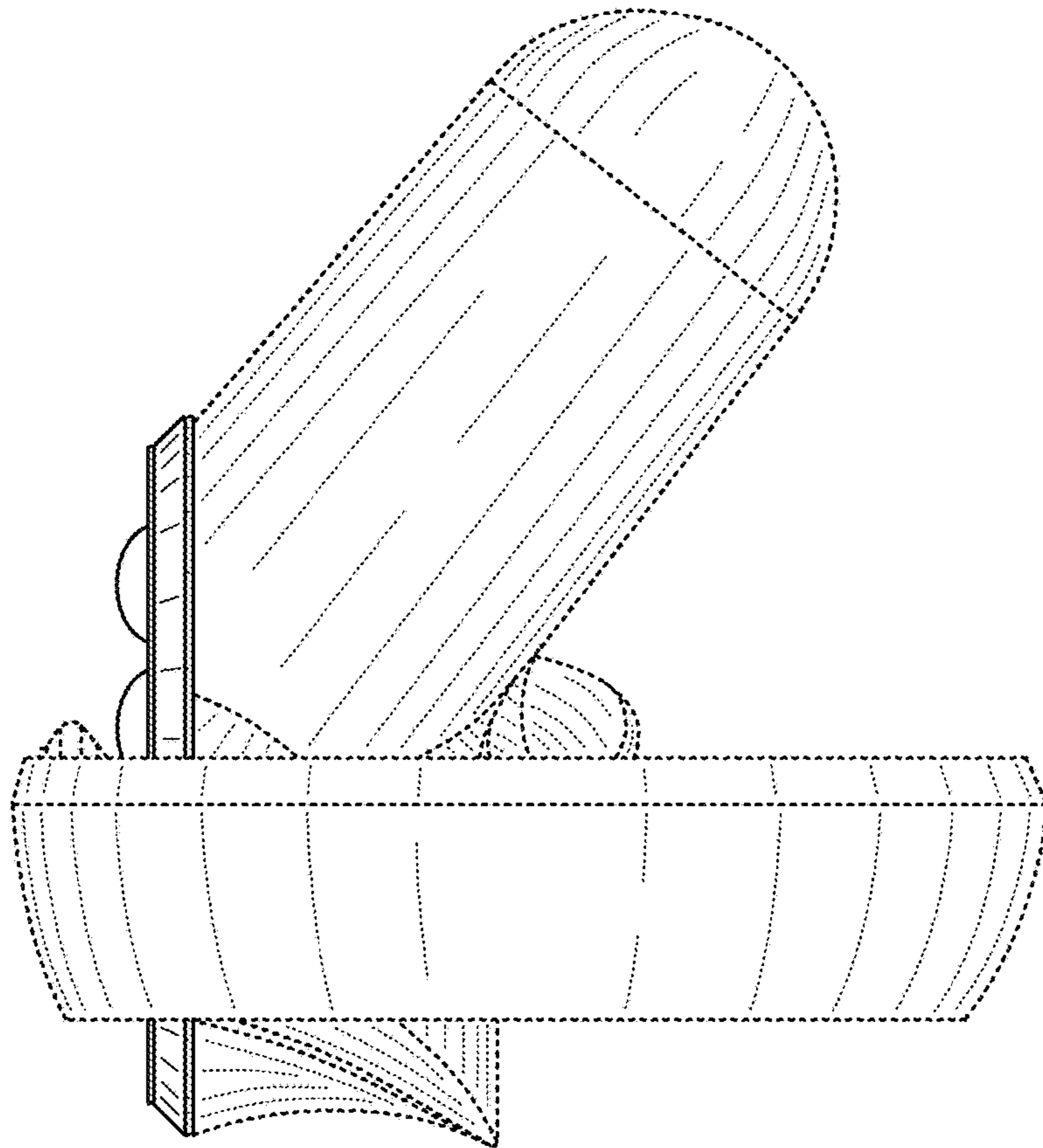


Figure 8

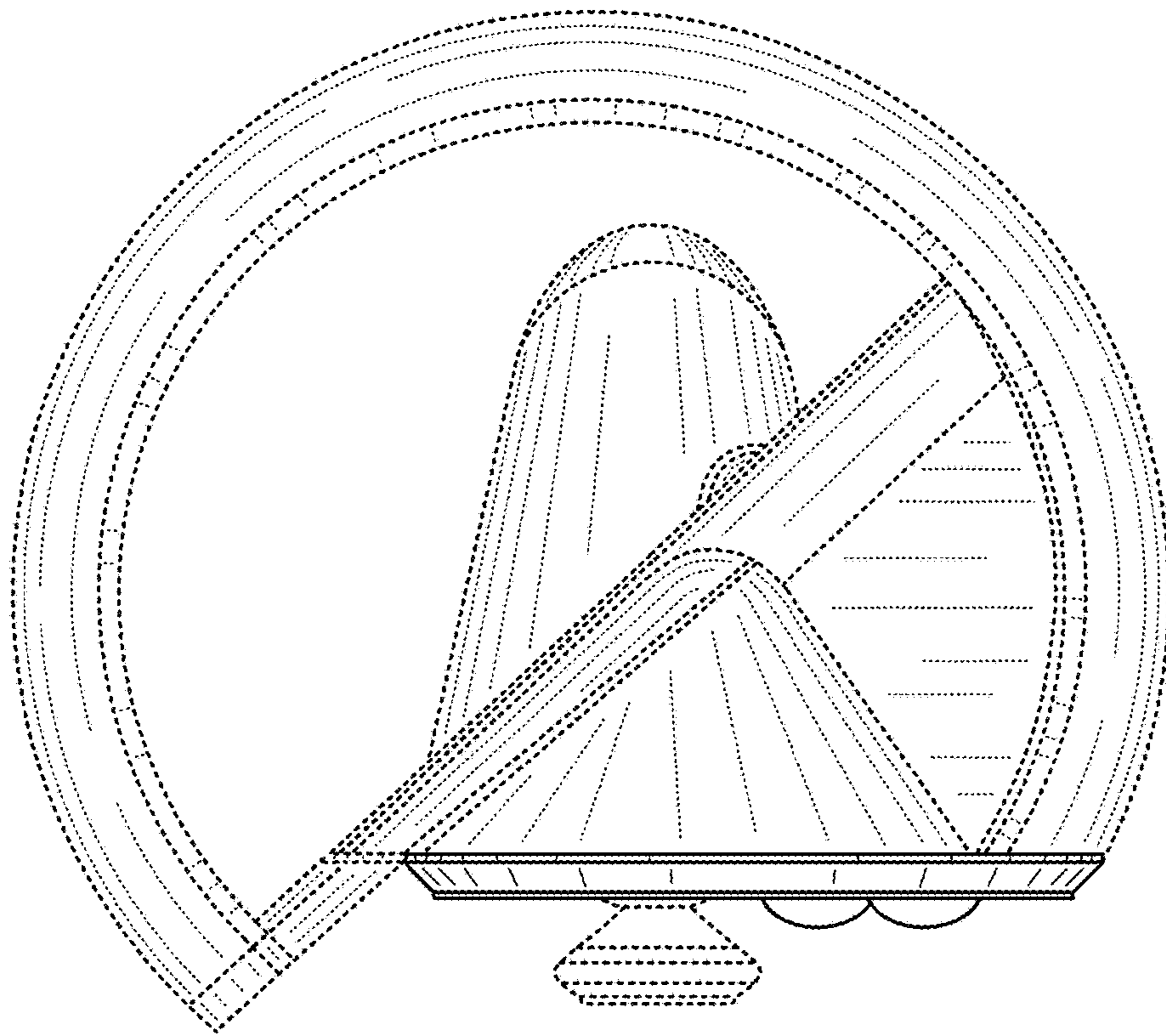


Figure 9