



US00D815695S

(12) **United States Design Patent**
Waldman et al.

(10) **Patent No.:** **US D815,695 S**
(45) **Date of Patent:** **** Apr. 17, 2018**

- (54) **GAME STATION**
- (71) Applicant: **NSI INTERNATIONAL, INC.**, New York, NY (US)
- (72) Inventors: **Brian K. Waldman**, New York, NY (US); **Frank J. Landi, Jr.**, New York, NY (US); **Chan Kok Wing Farra**, Kwai Chung (HK); **Chu Ki Kwan**, Kwai Chung (HK)
- (73) Assignee: **NSI INTERNATIONAL, INC.**, New York, NY (US)
- (**) Term: **15 Years**
- (21) Appl. No.: **29/602,731**
- (22) Filed: **May 3, 2017**
- (51) **LOC (11) Cl.** **21-01**
- (52) **U.S. Cl.**
USPC **D21/328**; D14/496; D14/203.3
- (58) **Field of Classification Search**
USPC D14/496, 474, 203.1, 203.3; 345/156, 345/169, 173-179, 905; 715/727-729, 715/864; 710/1, 5, 8; 713/1, 600; 455/1.1, 1.7, 73, 344-347, 93, 95, 455/3.01-3.06, 550.1, 573.1; 370/342-344; 369/1, 2, 6-12; 463/43-47; 273/148 B; D21/424-433
CPC A63F 9/00; A63F 9/24; A63F 13/08; A63F 3/0421; A63F 3/04
See application file for complete search history.

(56) **References Cited**

U.S. PATENT DOCUMENTS

- 4,216,965 A * 8/1980 Morrison A63F 9/24 463/10
- 4,298,198 A * 11/1981 Huang A63F 9/24 273/460

- 5,672,108 A * 9/1997 Lam A63F 9/0291 463/2
- D421,152 S * 2/2000 Kwok D28/18
- D470,895 S * 2/2003 Cole D21/325
- D646,725 S * 10/2011 Utsumi D14/496
- 8,216,046 B2 * 7/2012 Ikeya G07F 17/32 463/16
- 8,216,057 B2 * 7/2012 Yoshihara G07F 17/3286 463/22
- 8,961,046 B2 * 2/2015 Eoka B41J 13/106 242/535.1
- 8,968,092 B2 * 3/2015 Gomez G07F 17/32 463/30
- D737,869 S * 9/2015 Seo D15/91
- 9,135,772 B2 * 9/2015 Gadda G07F 17/32
- D803,265 S * 11/2017 Spindler D14/496

* cited by examiner

Primary Examiner — Prabhakar G Deshmukh

(74) *Attorney, Agent, or Firm* — Andrew F. Young, Esq.;
Lackenbach Siegel, LLP

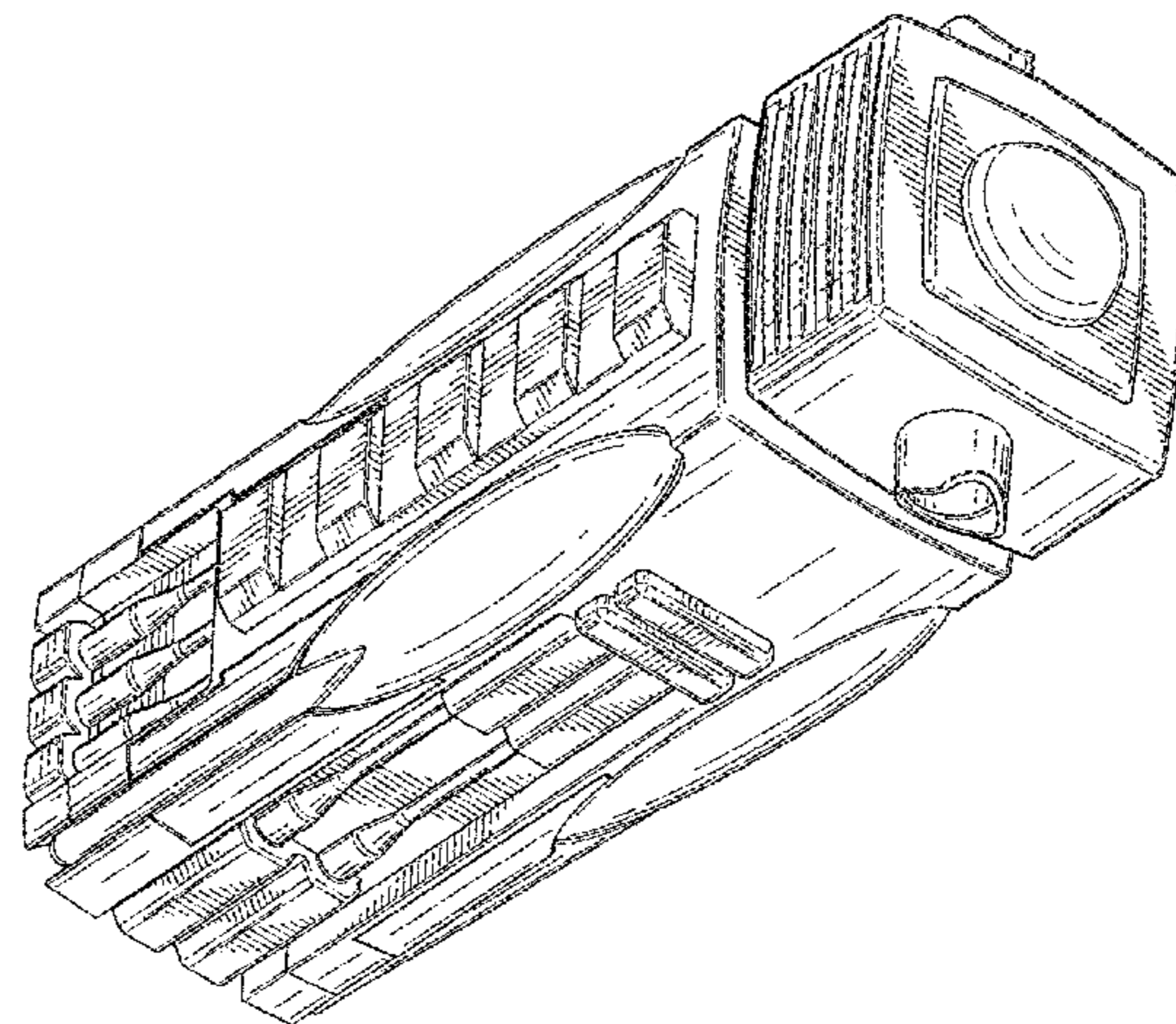
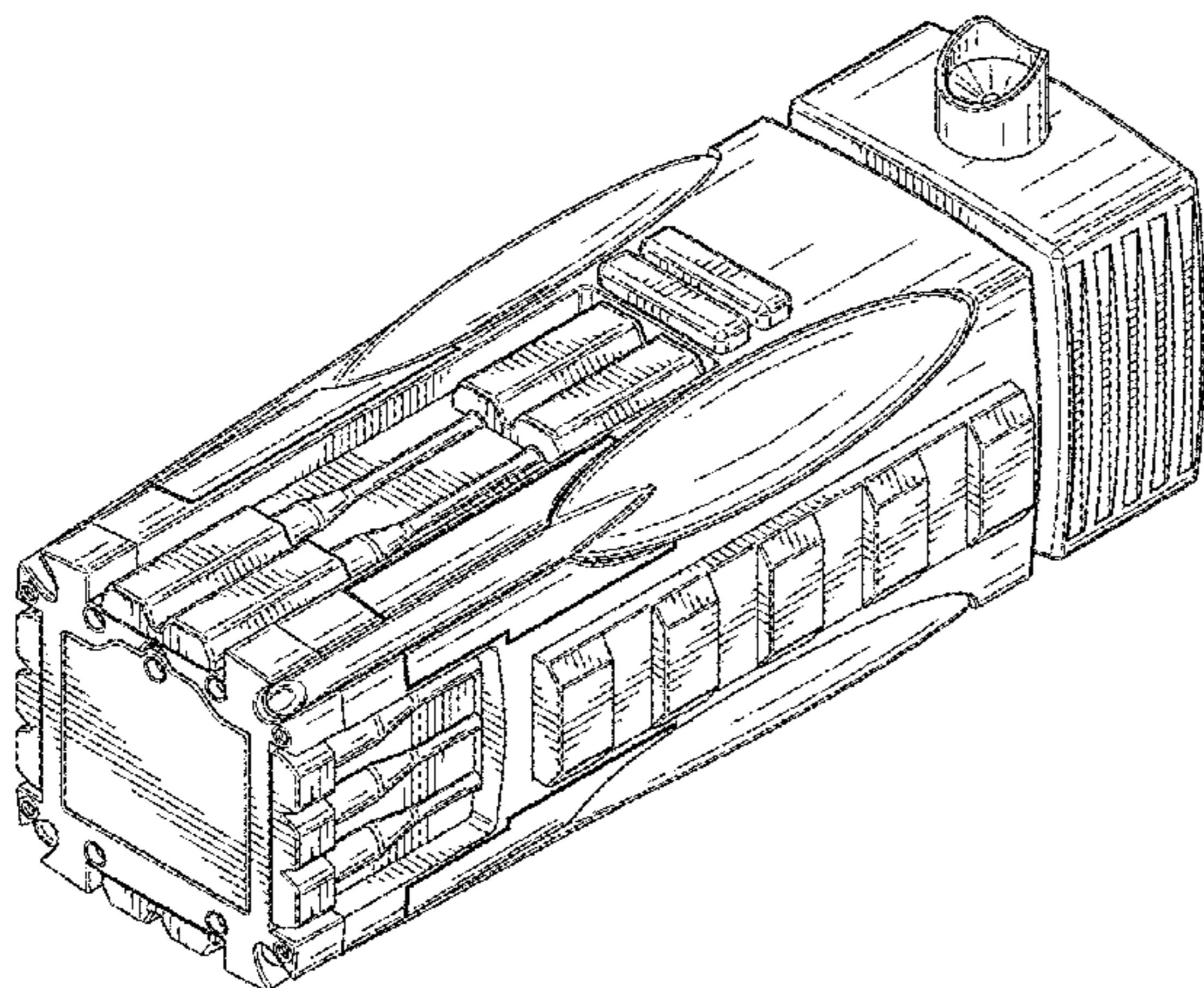
(57) **CLAIM**

The ornamental design for a game station, as shown and described.

DESCRIPTION

FIG. 1 is a front right perspective view of the present invention.
 FIG. 2 is a top plan view thereof.
 FIG. 3 is a bottom plan view thereof.
 FIG. 4 is a right side elevation view thereof.
 FIG. 5 is a left side side elevation view thereof.
 FIG. 6 is a front elevation view thereof.
 FIG. 7 is a rear elevation view thereof; and,
 FIG. 8 is a rear left perspective view of the present invention.

1 Claim, 7 Drawing Sheets



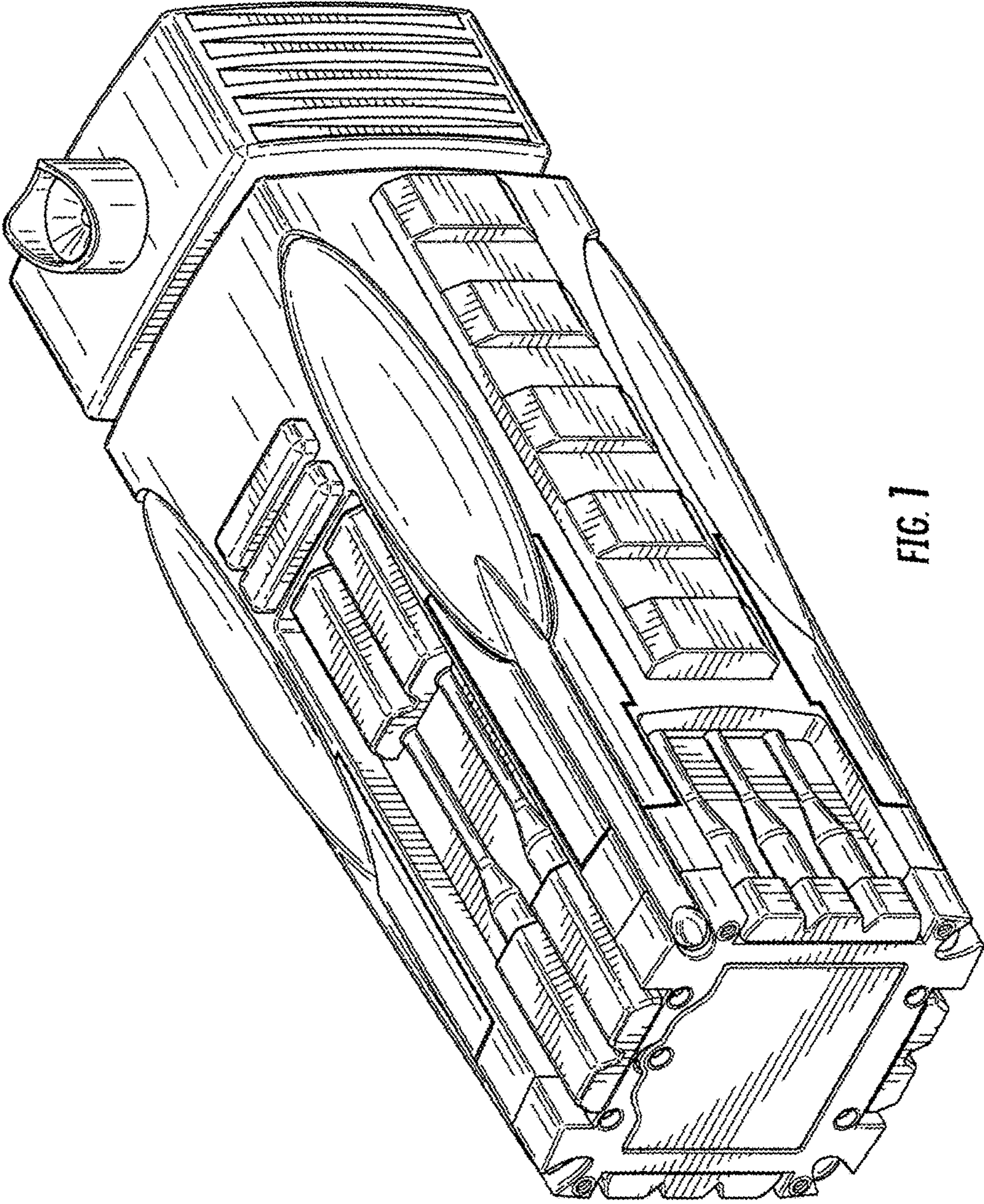


FIG. 1

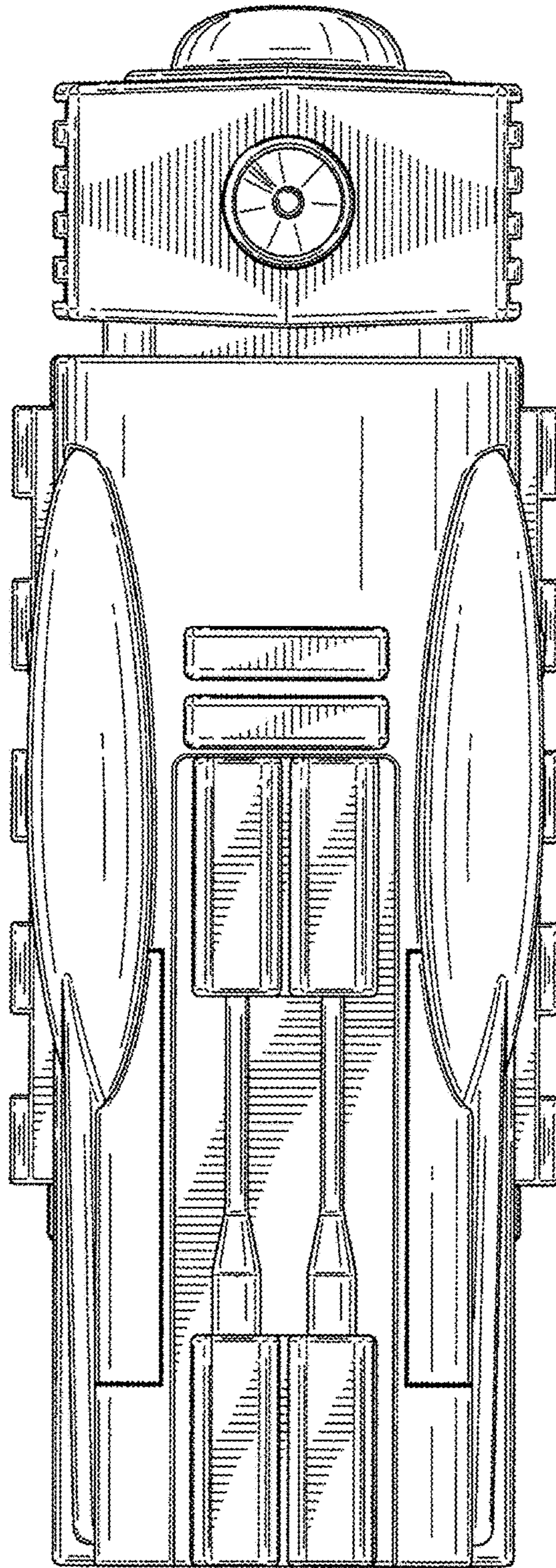


FIG. 2

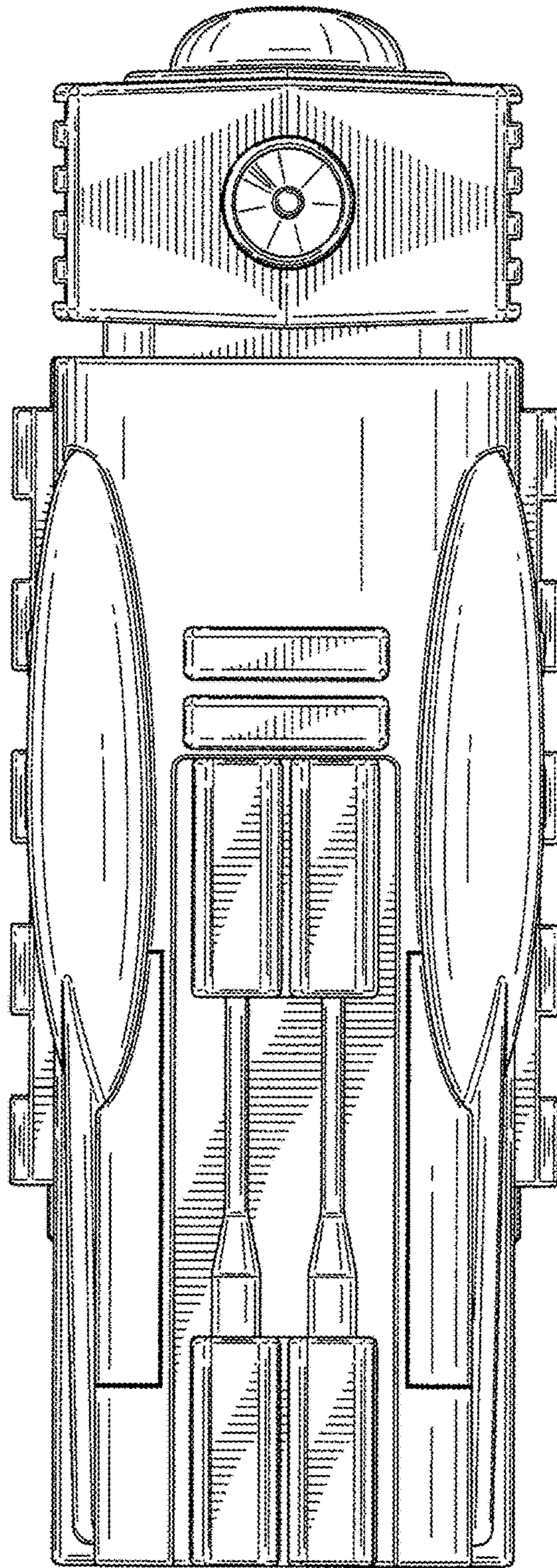


FIG. 3

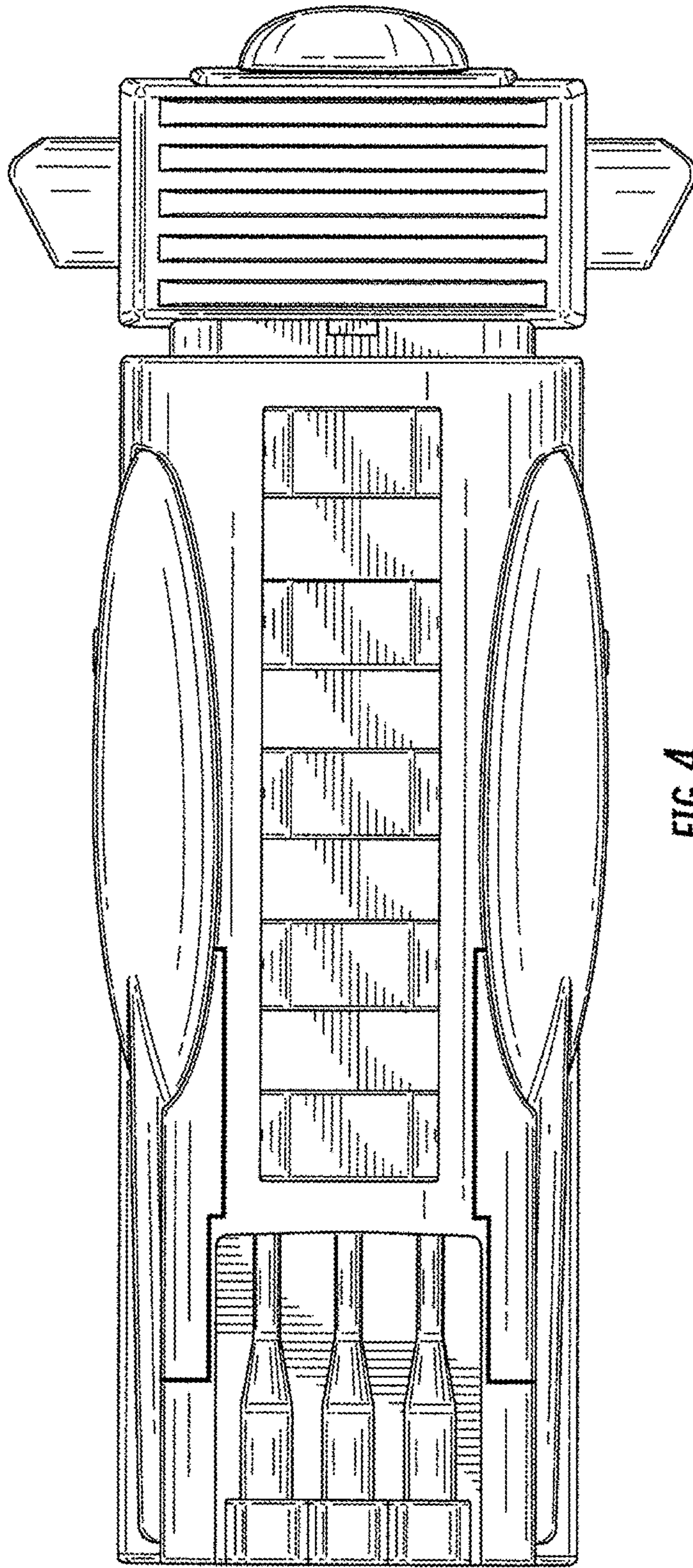


FIG. 4

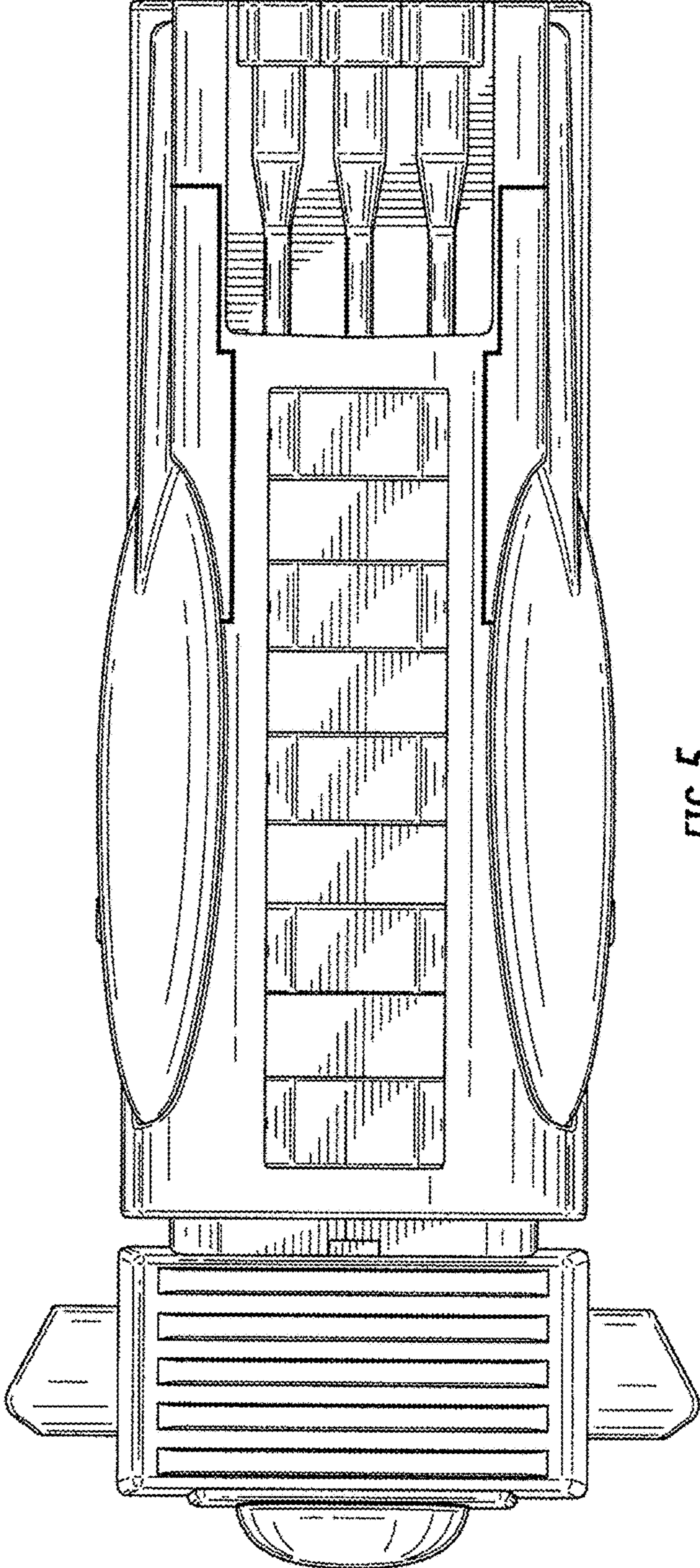


FIG. 5

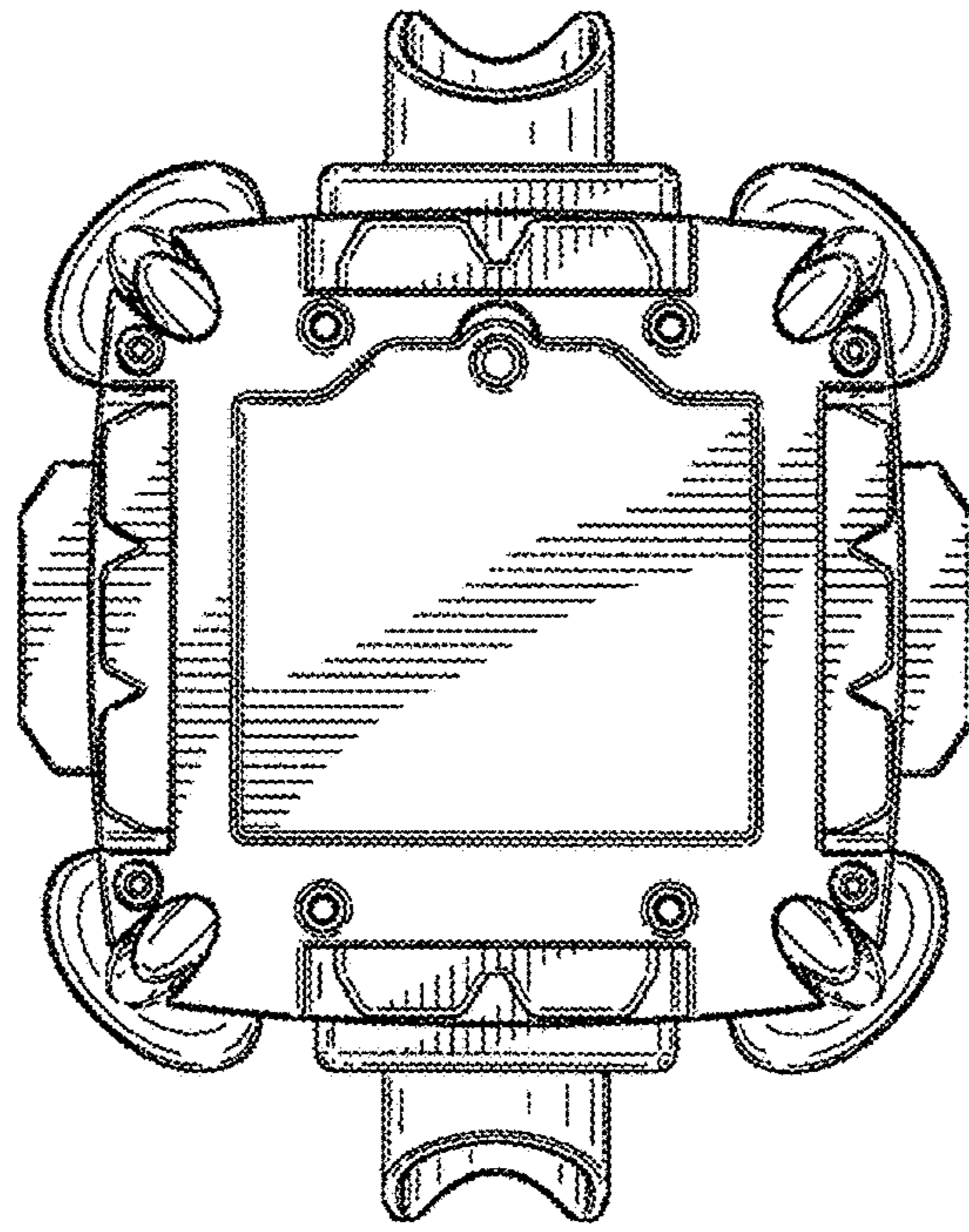


FIG. 6

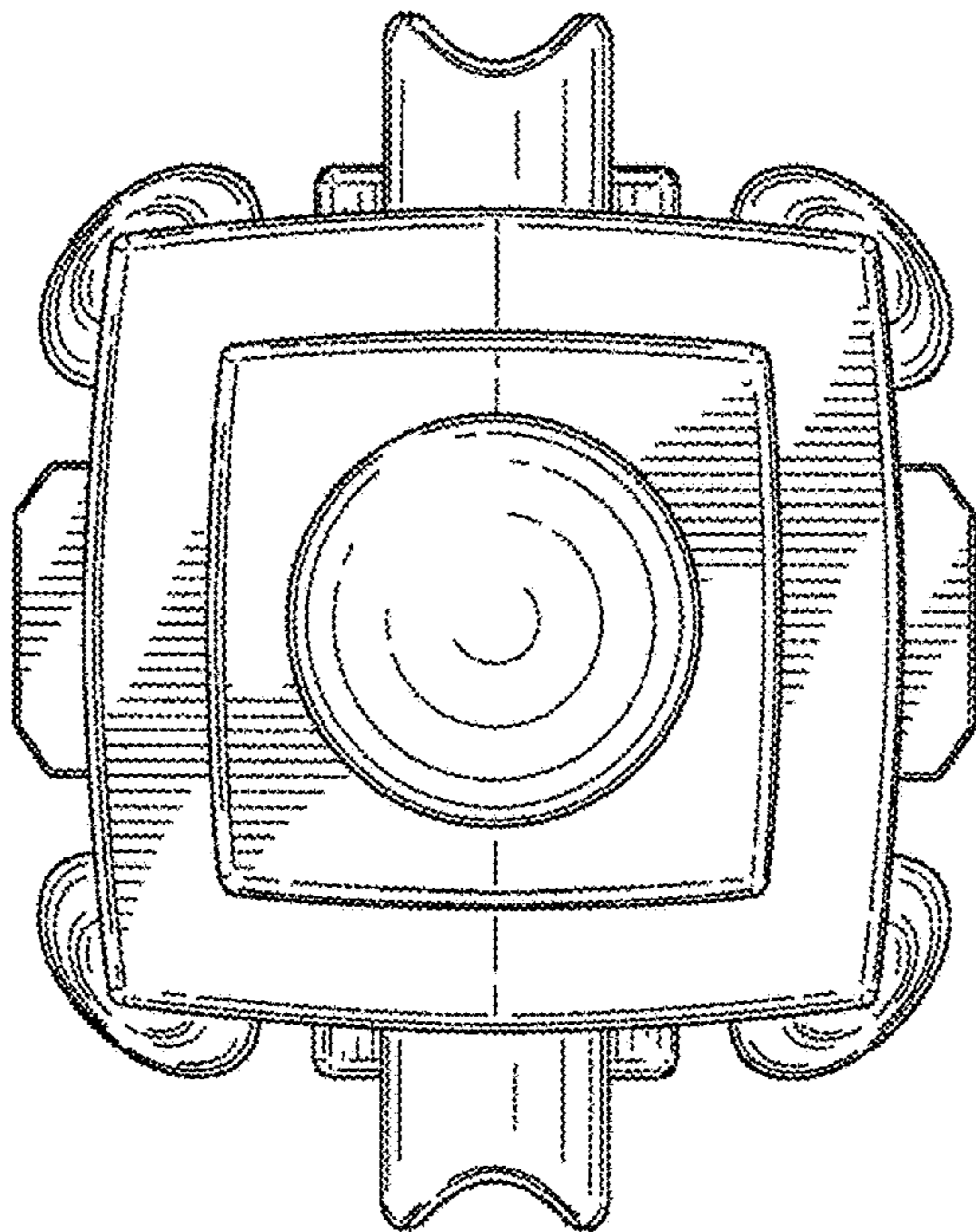


FIG. 7

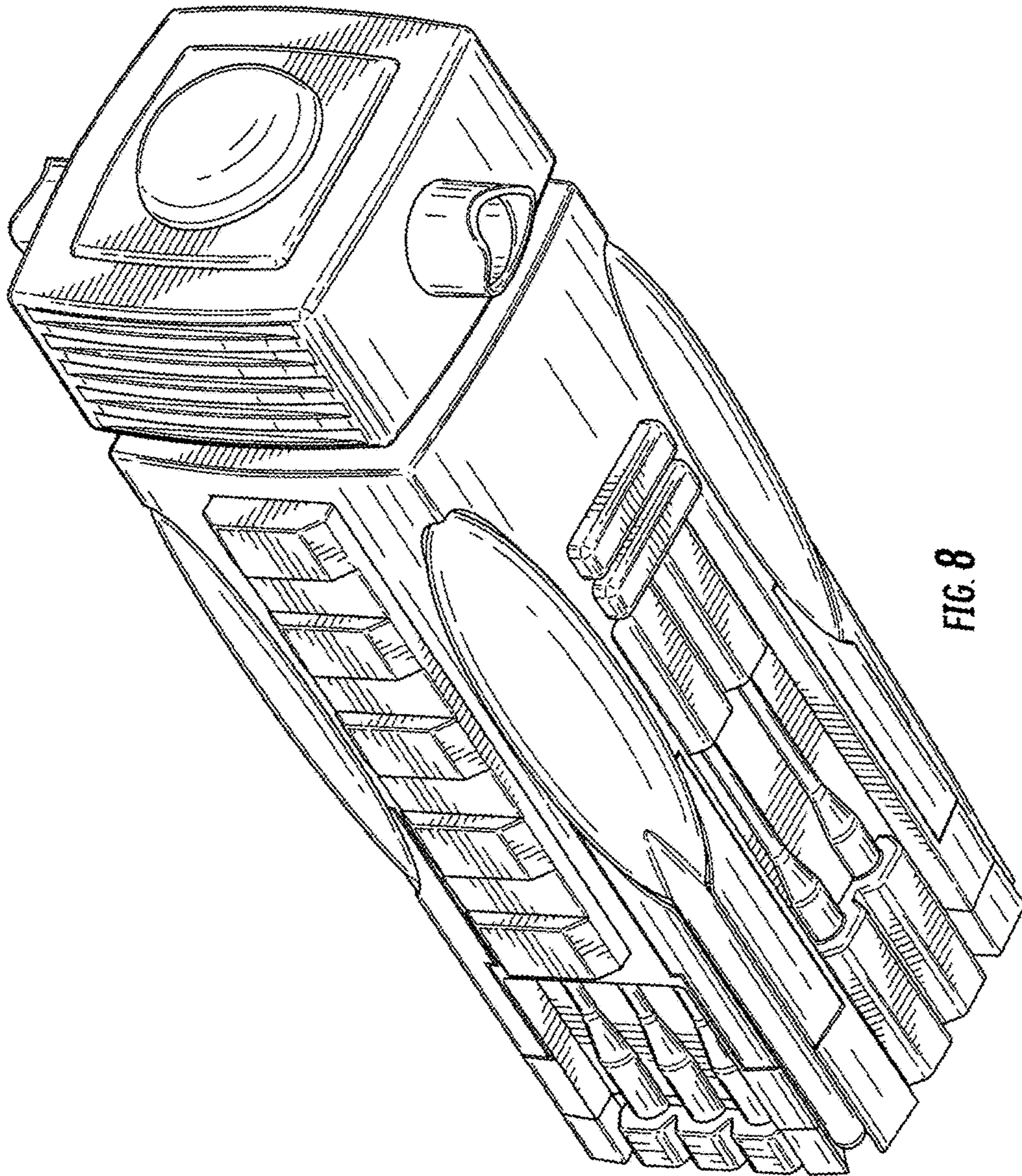


FIG. 8