



US00D815694S

(12) **United States Design Patent**
Tsai

(10) **Patent No.:** **US D815,694 S**
(45) **Date of Patent:** **** Apr. 17, 2018**

- (54) **COMBINATION GAME TABLE**
- (71) Applicant: **Medal Sports (Taiwan) Corporation,**
Taipei (TW)
- (72) Inventor: **Kevin Chunhao Tsai,** Kaohsiung (TW)
- (73) Assignee: **Medal Sports (Taiwan) Corporation,**
Taipei (TW)
- (**) Term: **15 Years**
- (21) Appl. No.: **29/582,819**
- (22) Filed: **Oct. 31, 2016**

2,719,719 A	10/1955	Sherwan	
2,849,238 A	8/1958	Eldredge	
3,817,535 A	6/1974	Doughty	
4,026,556 A	5/1977	Taylor et al.	
4,185,832 A	1/1980	Traficante	
4,761,009 A	8/1988	Gibree	
D317,945 S	7/1991	McNaull	
5,029,861 A	7/1991	Driska	
5,154,426 A	10/1992	Black	
5,354,062 A	10/1994	Lenger	
5,360,264 A *	11/1994	Crane A47B 13/088 108/13
5,595,310 A *	1/1997	Spamer A47F 1/12 211/59.2
D382,601 S	8/1997	Antill	
D392,334 S	3/1998	Taylor	
6,155,564 A	12/2000	Tsai	
6,189,885 B1 *	2/2001	Hamot A63F 7/068 273/108.1
6,502,819 B2	1/2003	Rieber et al.	
6,663,108 B2 *	12/2003	Makhoul A63F 7/0612 273/108.52
6,766,747 B1	7/2004	Wolfe	
D495,531 S	9/2004	Allshouse et al.	
7,108,262 B2	9/2006	Giegerich	

Related U.S. Application Data

- (62) Division of application No. 29/526,394, filed on May 8, 2015, now Pat. No. Des. 770,567.
- (51) **LOC (11) Cl.** **21-01**
- (52) **U.S. Cl.**
USPC **D21/319**
- (58) **Field of Classification Search**
USPC D21/330, 302, 319, 322; 273/108, 118 R,
273/108.5, 108.51-108.57, 398, 400;
473/1, 9, 10, 475, 115; 463/15-28;
211/204, 207, 208
CPC A63F 7/0005; A63F 7/0628; A63F 7/06;
A63F 9/183; A63D 3/00; A63D 3/02;
A63D 15/04
See application file for complete search history.

Primary Examiner — Prabhakar G Deshmukh
(74) *Attorney, Agent, or Firm* — Honigman Miller
Schwartz and Cohn LLP

(57) **CLAIM**

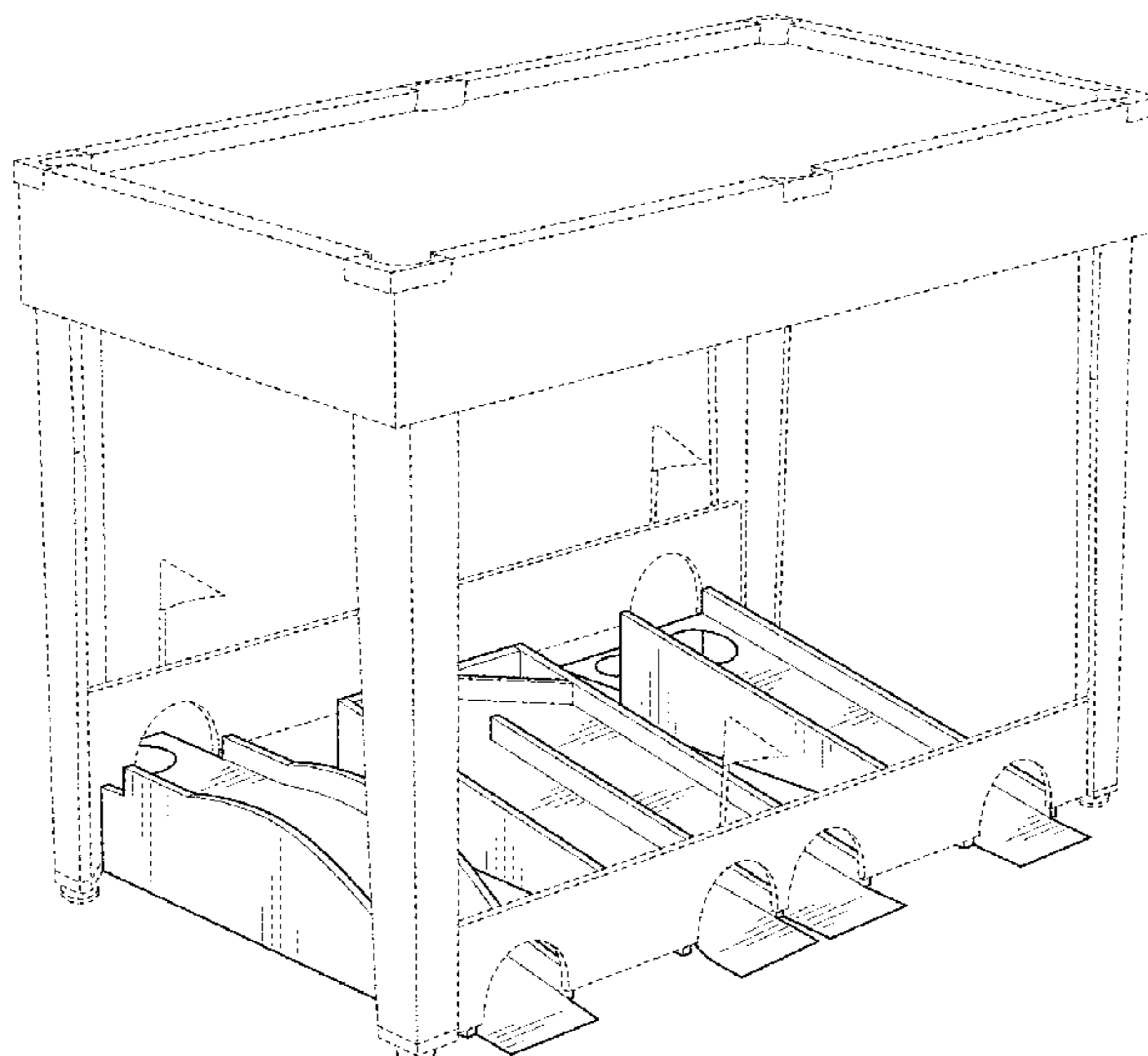
The ornamental design for a combination table game, as shown and described herein.

DESCRIPTION

FIG. 1 is a top, front perspective view of a combination table game showing my new design; and, FIG. 2 is a top, rear perspective view thereof. The broken lines illustrate unclaimed portions and form no part of the claimed design.

1 Claim, 2 Drawing Sheets

- (56) **References Cited**
U.S. PATENT DOCUMENTS
- | | | |
|-------------|--------|--------------|
| 164,641 A | 6/1875 | Draper |
| 1,712,561 A | 5/1929 | Jaspert |
| 1,870,536 A | 8/1932 | Vaccaro, Jr. |
| 2,383,866 A | 8/1945 | Kling |
| 2,427,434 A | 9/1947 | Whitehouse |



(56)

References Cited

U.S. PATENT DOCUMENTS

7,762,902 B2 *	7/2010	Voden	A63D 15/04 473/10
7,901,290 B2	3/2011	Temple	
7,972,219 B1 *	7/2011	Voden	A63D 15/04 473/10
8,764,542 B2	7/2014	Cram	

* cited by examiner

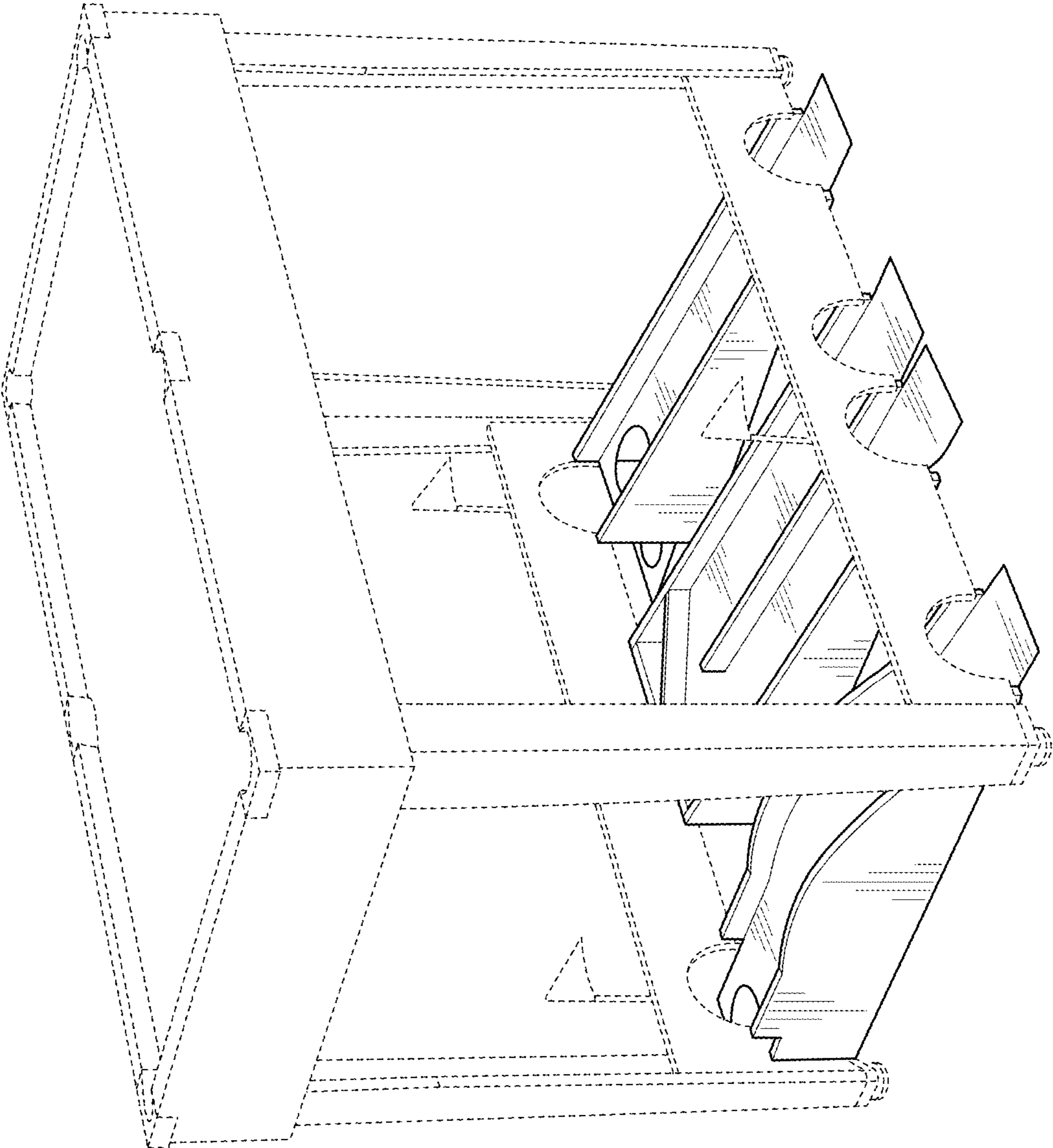


FIG. 1

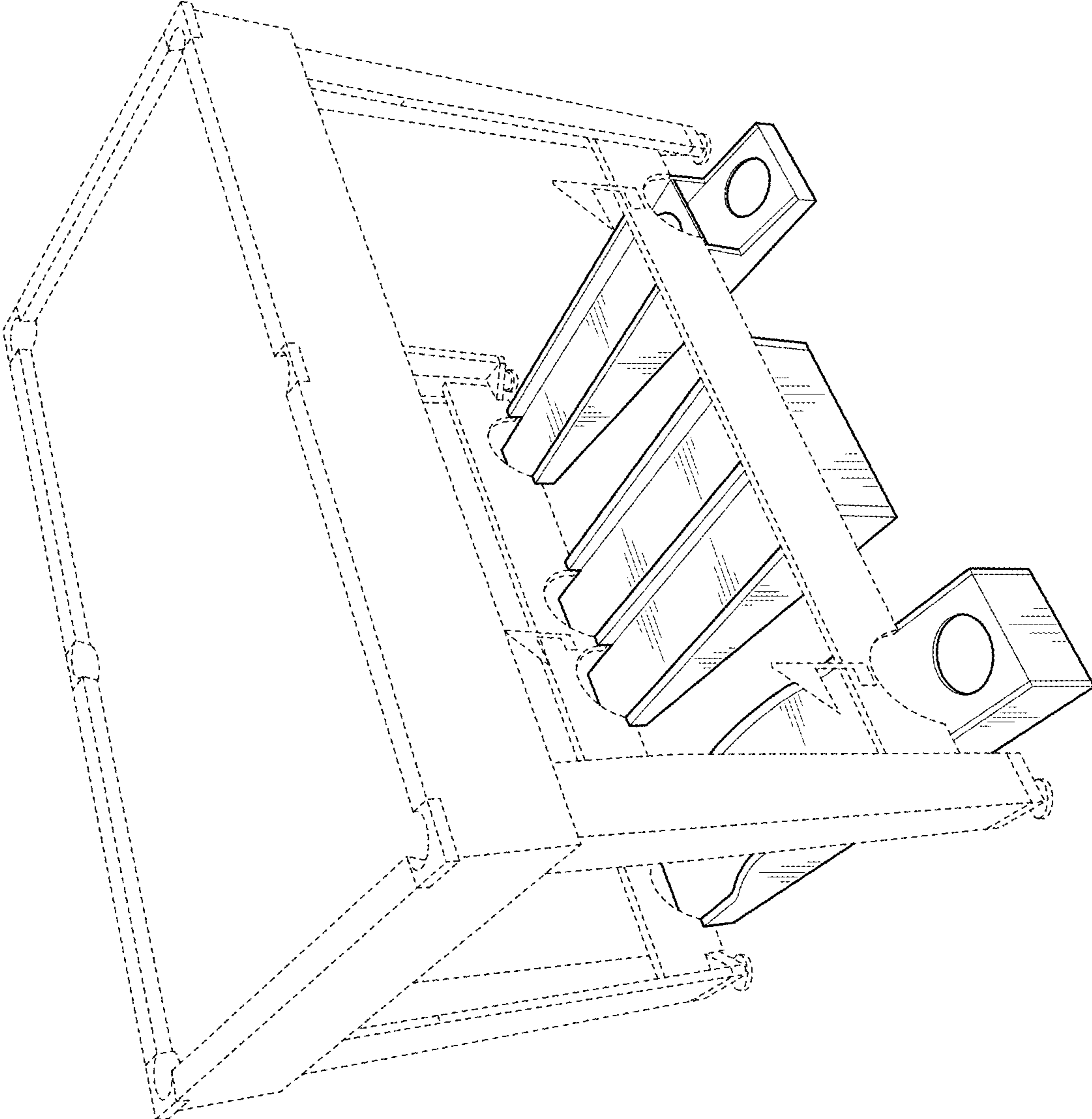


FIG. 2