



US00D815692S

(12) **United States Design Patent**
Kim

(10) **Patent No.:** **US D815,692 S**
(45) **Date of Patent:** **** Apr. 17, 2018**

- (54) **EXIT SIGN**
- (71) Applicant: **II Kim**, Corona, CA (US)
- (72) Inventor: **II Kim**, Corona, CA (US)
- (**) Term: **15 Years**
- (21) Appl. No.: **29/580,256**
- (22) Filed: **Oct. 6, 2016**

D446,818 S *	8/2001	Kim, II	D20/10
6,741,324 B1 *	5/2004	Kim, II	G09F 19/22 362/235
D495,750 S *	9/2004	Lee	D20/42
D495,751 S *	9/2004	Pickard	D20/42
6,824,295 B1 *	11/2004	Grondal	G09F 13/14 362/234
D500,814 S *	1/2005	Lee	D20/42
D507,373 S *	7/2005	Kim, II	D10/111
D561,264 S *	2/2008	Yu	D20/19
D585,795 S *	2/2009	Gundlach	D12/162
D586,860 S *	2/2009	Yu	D20/42
7,520,072 B2 *	4/2009	Yu	F21V 23/04 307/66
D597,434 S *	8/2009	Yu	D10/114.2
D615,442 S *	5/2010	Yu	D10/114.2
D623,237 S *	9/2010	Lee	D20/42
D625,363 S *	10/2010	Lee	D20/42
D626,443 S *	11/2010	Yu	D10/114.2
D679,759 S *	4/2013	Brunelli	D20/19
D700,097 S *	2/2014	Hasan	D10/114.1

Related U.S. Application Data

- (63) Continuation-in-part of application No. 29/580,249, filed on Oct. 6, 2016.
- (51) **LOC (11) Cl.** **20-03**
- (52) **U.S. Cl.**
USPC **D20/42**
- (58) **Field of Classification Search**
USPC D20/10, 11, 22-28, 41, 42, 99
CPC G09F 1/00; G09F 1/02; G09F 2003/023;
G09F 2003/0261; G09F 2003/0264; G09F
7/00; G09F 3/206; G09F 13/00; G09F
2007/1807; G09F 13/04; G09F
2013/0427; G09F 2013/0495; G09D 3/00
See application file for complete search history.

(Continued)
Primary Examiner — Mary Ann Calabrese
Assistant Examiner — Sloan Rozin

(57) **CLAIM**

The ornamental design for an exit sign, as shown and described.

DESCRIPTION

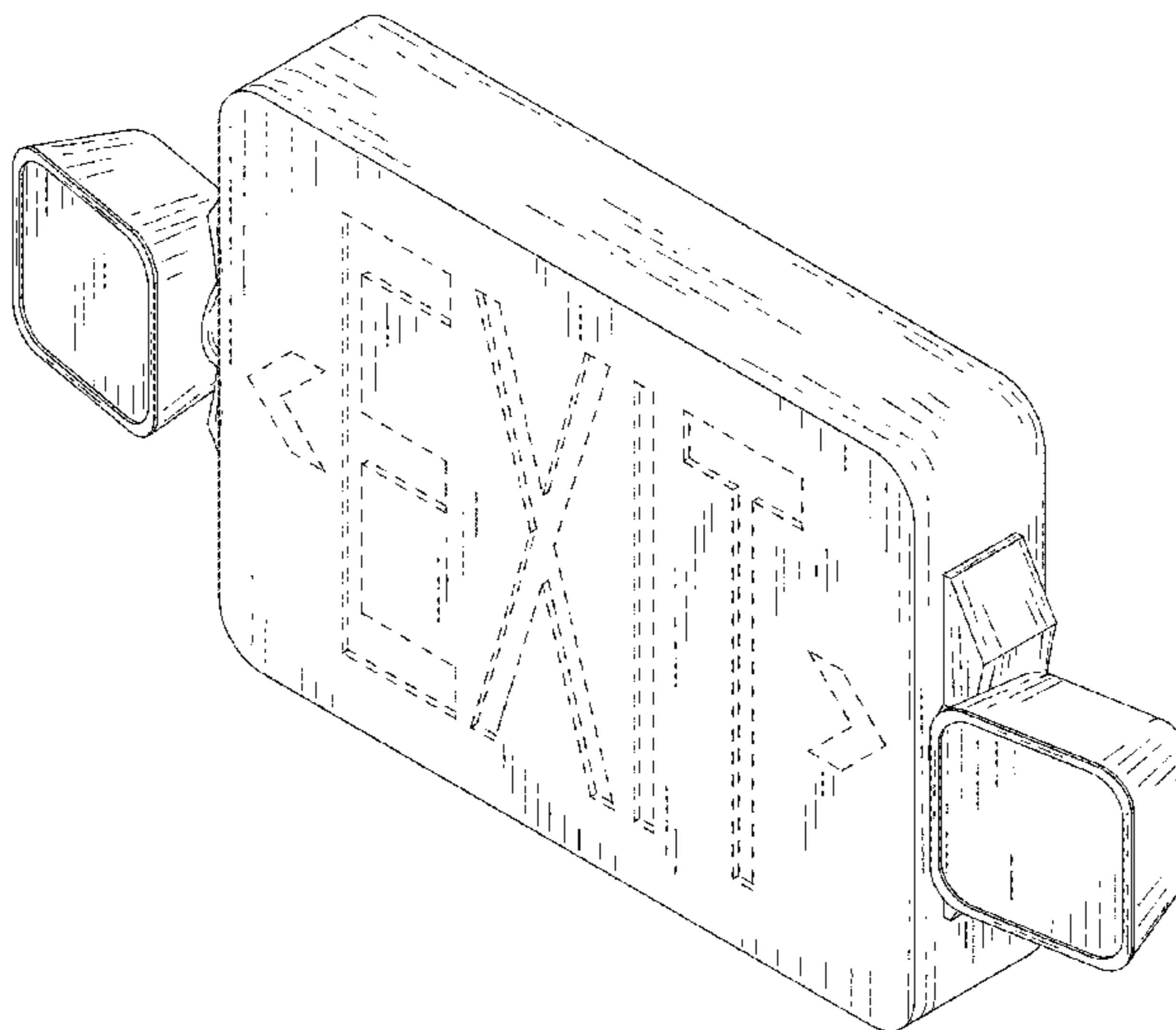
FIG. 1 is a perspective view of an exit sign;
FIG. 2 is a front elevational view thereof;
FIG. 3 is a rear elevational view thereof;
FIG. 4 is a left-side elevational view thereof;
FIG. 5 is a right-side elevational view thereof;
FIG. 6 is a top plan view thereof; and,
FIG. 7 is a bottom plan view thereof.
The broken line showing of a word in FIG. 1 and FIG. 2 is included for the purpose of showing environmental structure and form no part of the claimed design.

(56) **References Cited**

U.S. PATENT DOCUMENTS

3,931,689 A *	1/1976	Shine	G09F 13/06 40/570
5,542,201 A *	8/1996	Grondal	G02B 6/0055 362/800
D379,373 S *	5/1997	Logan	D20/10
D383,501 S *	9/1997	Andre	D20/42
D391,992 S *	3/1998	Vosika	D10/109.1
D402,316 S *	12/1998	Evarts	D20/10
D406,279 S *	3/1999	Larosa	G09F 19/22 D20/10
D445,138 S *	7/2001	Stark, III	D10/109.1

1 Claim, 7 Drawing Sheets



(56)

References Cited

U.S. PATENT DOCUMENTS

2006/0225326 A1* 10/2006 Robinson G09F 13/20
40/542
2010/0107462 A1* 5/2010 Lee G08B 7/062
40/546

* cited by examiner

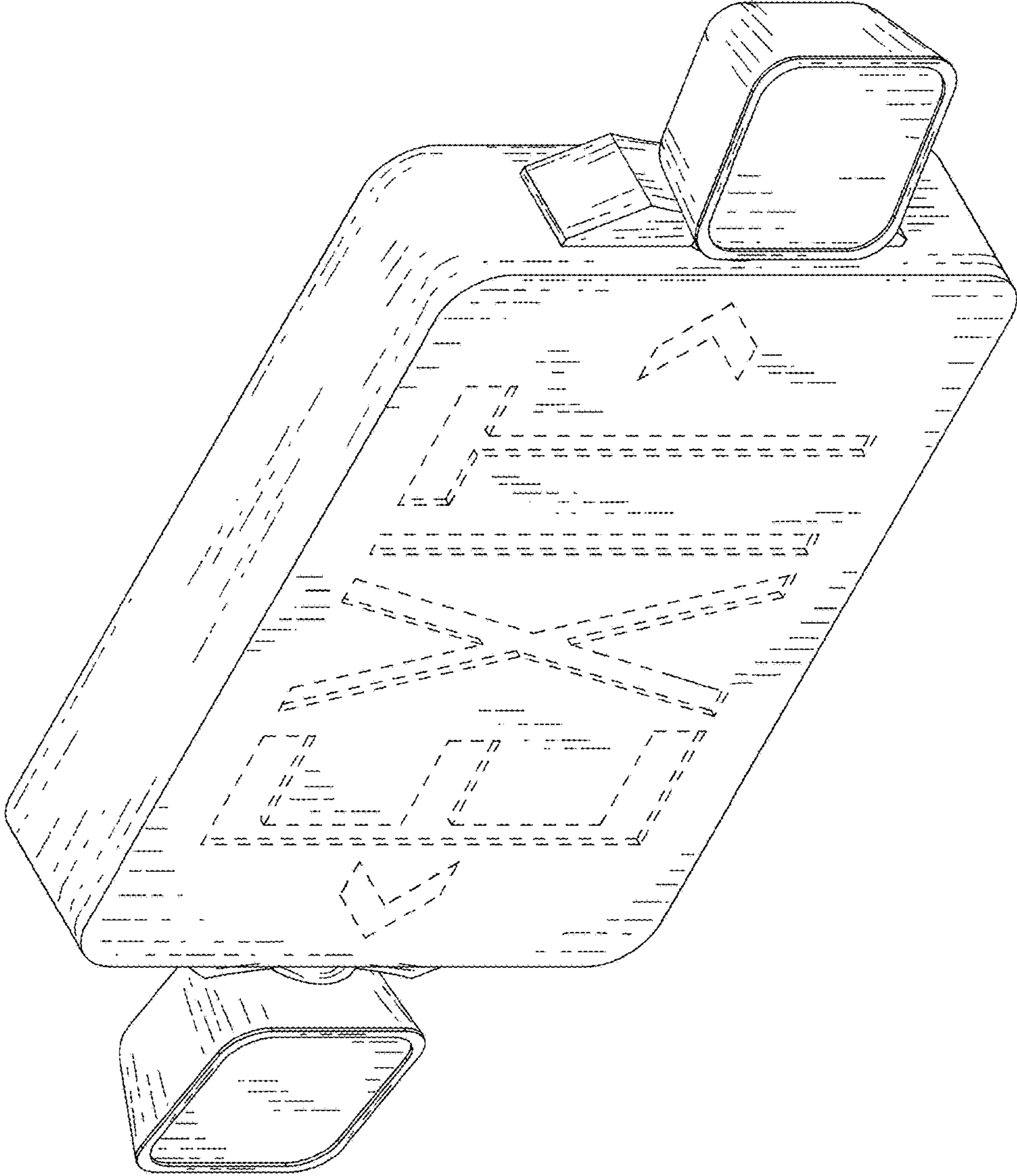


FIG. 1

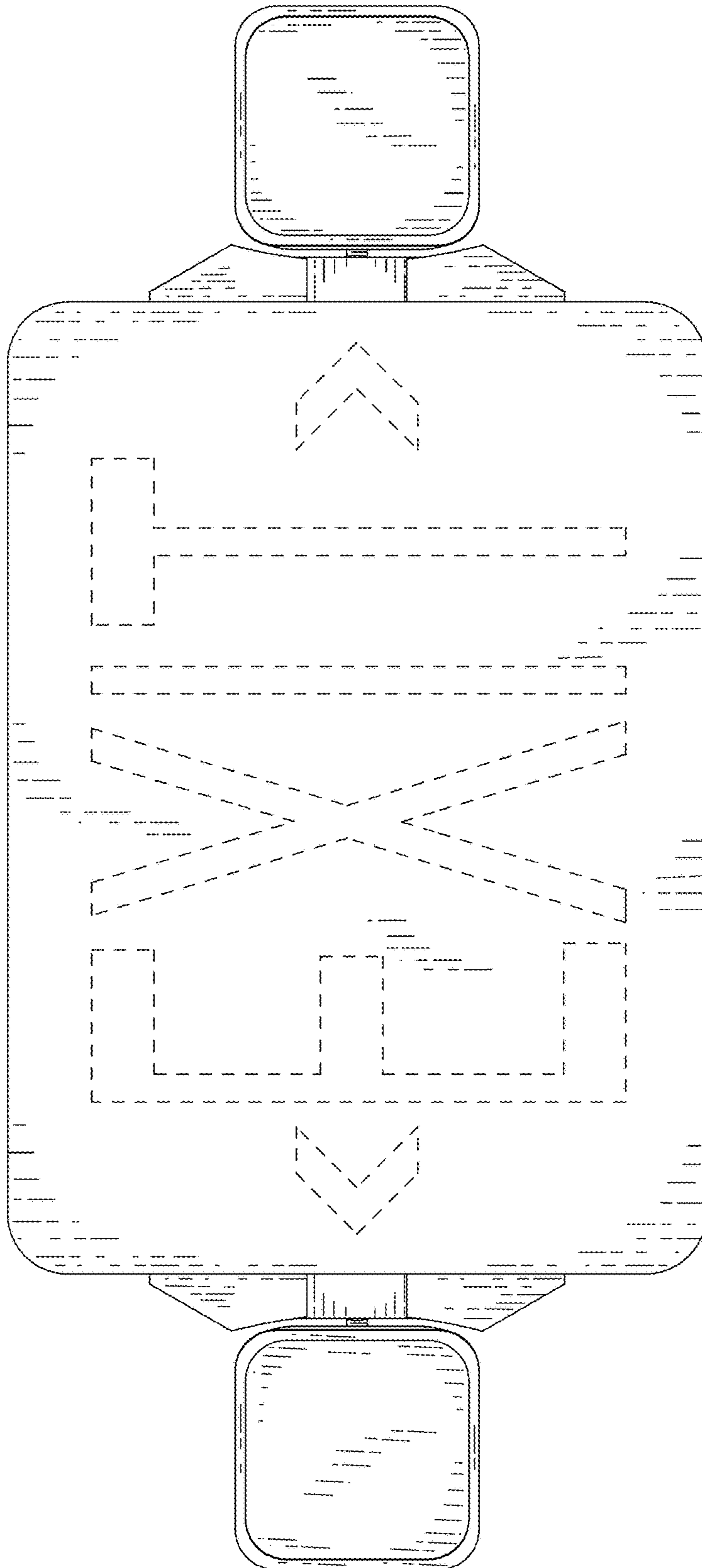


FIG. 2



FIG. 3

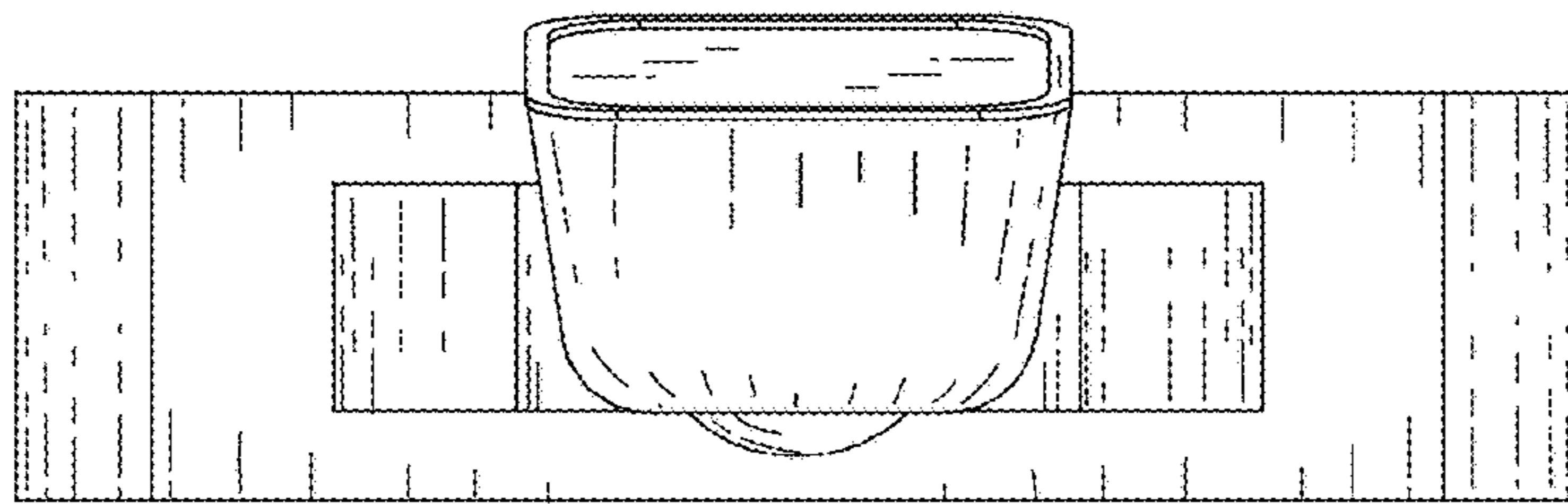


FIG. 4

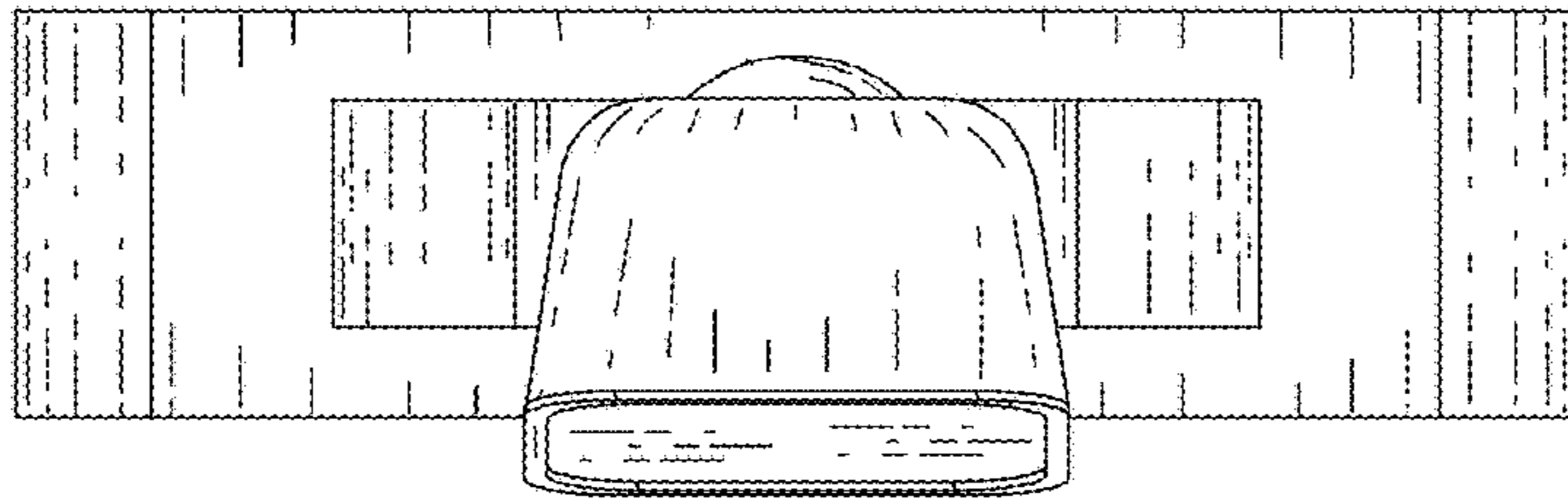


FIG. 5

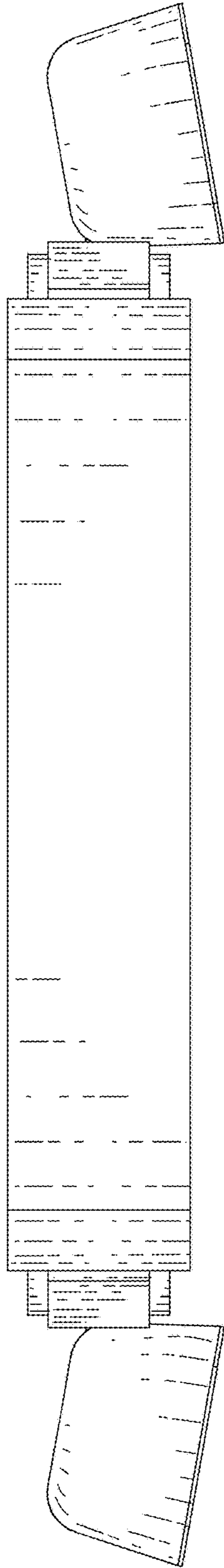


FIG. 6

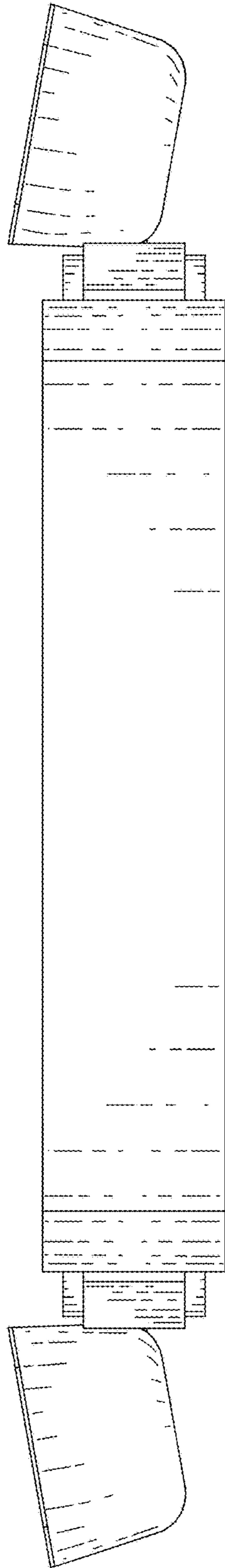


FIG. 7