

US00D815689S

(12) **United States Design Patent** (10) **Patent No.:** **US D815,689 S**  
**Barber** (45) **Date of Patent:** **\*\* Apr. 17, 2018**

(54) **DISPLAY PANEL ASSEMBLY**

FOREIGN PATENT DOCUMENTS

(71) Applicant: **Atomic Design Inc.**, Lititz, PA (US)

AU 2012261483 A1 6/2013  
CA 1263233 A1 11/1989

(72) Inventor: **Robert J. Barber**, Lancaster, PA (US)

(Continued)

(73) Assignee: **Atomic Design Inc.**, Lititz, PA (US)

OTHER PUBLICATIONS

(\*\*) Term: **15 Years**

Installation Instructions for Pillow Wall, by Atomic, www.atomicrental.tv, (717-626-4408), dated Nov. 25, 2013, 1 page.

(21) Appl. No.: **29/542,476**

(Continued)

(22) Filed: **Oct. 14, 2015**

(51) **LOC (11) Cl.** ..... **20-03**

*Primary Examiner* — Mary Ann Calabrese

(52) **U.S. Cl.**

(74) *Attorney, Agent, or Firm* — Barley Snyder

USPC ..... **D20/10**

(58) **Field of Classification Search**

(57) **CLAIM**

USPC ..... D20/10, 17-19, 40-42, 99; D10/109.1,  
D10/113.4; D6/332; D16/241

The ornamental display panel assembly design, as shown and described.

CPC ... G09F 7/00; G09F 9/00; G09F 11/00; G09F 13/00; G09F 15/00; G09F 15/0006; G09F 15/0025; G09F 15/0031; G09F 17/00; A47F 5/10; A47H 13/00; H05K 1/0281

**DESCRIPTION**

See application file for complete search history.

FIG. 1 is a front, top and right side perspective view of a display panel assembly, showing the new design; FIG. 2 is a front elevation view thereof; FIG. 3 is a rear elevation view thereof; FIG. 4 is a top plan view thereof; FIG. 5 is a bottom plan view thereof; FIG. 6 is a left side elevation view thereof; FIG. 7 is a right side elevation view thereof; FIG. 8 is a rear, top and left side perspective view thereof; FIG. 9 is an enlarged fragmentary view of the upper left corner on the front shown in FIG. 2; and, FIG. 10 is an enlarged fragmentary view of the upper right corner on the rear shown in FIG. 3.

(56) **References Cited**

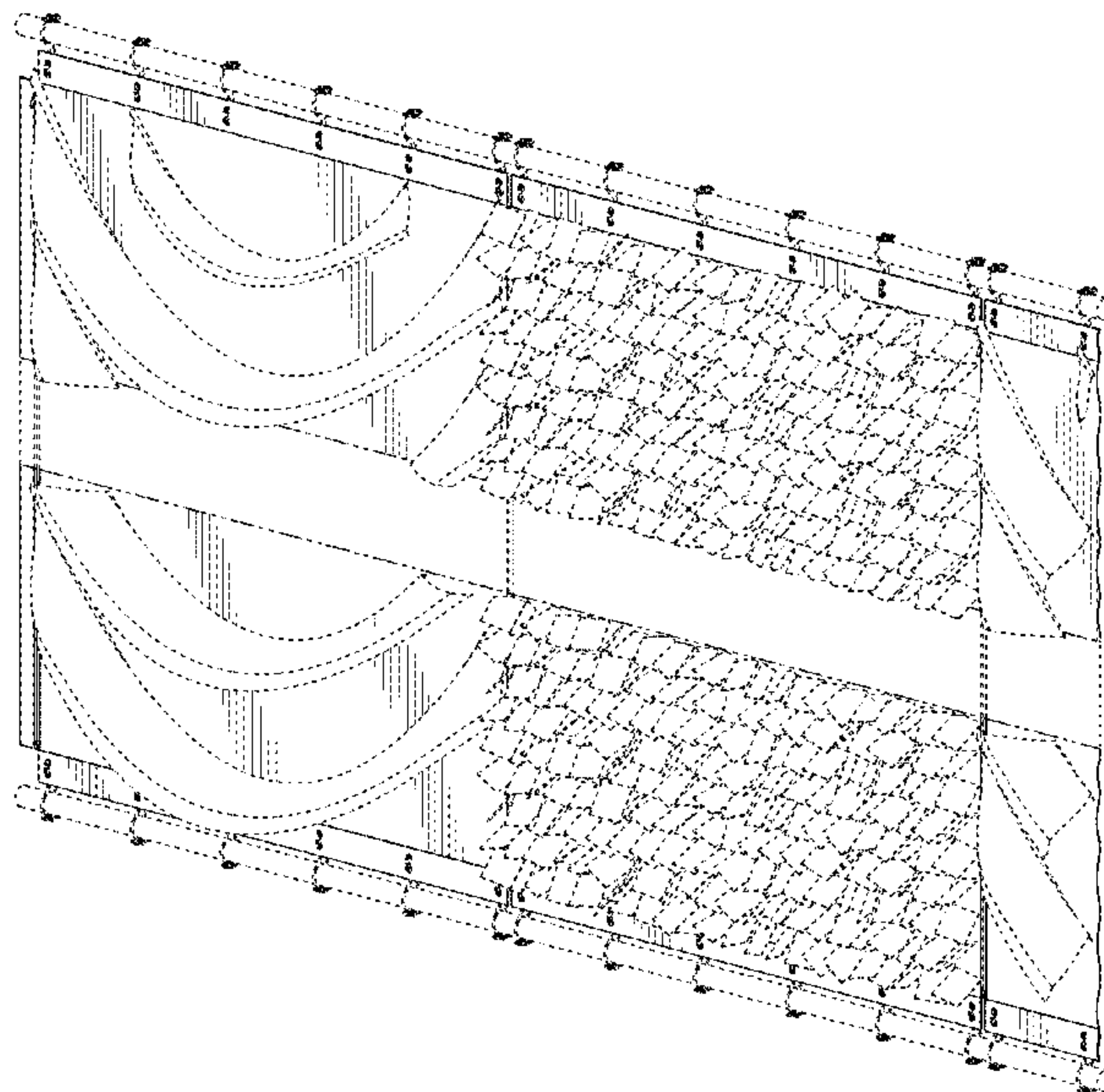
U.S. PATENT DOCUMENTS

1,525,515 A	2/1925	Socha	
2,692,689 A	10/1954	Wynne, Sr.	
2,970,396 A	2/1961	Worrell	
3,426,913 A	2/1969	Abatiell, Jr.	
3,537,199 A	11/1970	Lawson	
3,571,999 A	3/1971	Downing	
3,593,474 A	7/1971	Neels	
3,596,701 A	8/1971	Cowan	
3,936,111 A	2/1976	Mazzucconi	
4,001,987 A	1/1977	Coulthard	
4,114,160 A	9/1978	Verini	
4,590,714 A *	5/1986	Walker	B32B 27/12 112/405
4,807,837 A	2/1989	Gawlik et al.	

The dashed broken lines show portions of the display panel assembly that forms no part of the claimed design. The dot-dot-dash broken lines represent the boundaries of the claim and form no part thereof.

(Continued)

**1 Claim, 8 Drawing Sheets**



(56)

References Cited

U.S. PATENT DOCUMENTS

5,036,641 A 8/1991 Viry  
 5,061,018 A 10/1991 Pederson et al.  
 5,197,239 A \* 3/1993 Glynn ..... E04G 5/12  
 160/84.01  
 5,344,115 A 9/1994 Mayne et al.  
 5,478,041 A 12/1995 Mayne  
 5,649,390 A \* 7/1997 Davidson ..... B44C 5/00  
 160/179  
 5,671,852 A 9/1997 Maharg  
 5,722,477 A 3/1998 Richter et al.  
 5,993,287 A 11/1999 Melashenko et al.  
 6,038,802 A \* 3/2000 Tidwell ..... G09F 15/0025  
 135/127  
 6,340,046 B1 1/2002 Basseches  
 6,370,803 B1 \* 4/2002 Burquest ..... G09F 15/0025  
 40/607.04  
 6,419,332 B1 7/2002 Caldwell, Jr. et al.  
 6,702,640 B1 3/2004 Park  
 6,718,709 B2 4/2004 Koutras et al.  
 6,983,853 B1 1/2006 Fickett  
 D618,282 S 6/2010 Kosir  
 7,753,100 B2 \* 7/2010 Luomanen ..... A47H 13/00  
 160/199  
 7,874,090 B2 1/2011 Flagg  
 D634,745 S 3/2011 Park et al.  
 8,069,632 B2 12/2011 Li  
 8,083,189 B2 12/2011 Sun et al.  
 D706,554 S \* 6/2014 Clearman ..... D6/606  
 D708,504 S 7/2014 Kaplan  
 D709,203 S 7/2014 Shikata  
 D723,624 S 3/2015 McPhillips  
 D736,858 S 8/2015 McPhillips  
 9,691,311 B1 \* 6/2017 Farias ..... G09F 17/00  
 2002/0036908 A1 3/2002 Pederson  
 2002/0154789 A1 10/2002 Rodgers  
 2003/0000904 A1 1/2003 Lung et al.  
 2003/0192271 A1 10/2003 Koutras et al.  
 2004/0035987 A1 2/2004 Oddsen, Jr.  
 2004/0089782 A1 5/2004 Eliason et al.  
 2007/0107853 A1 5/2007 Hsieh

2007/0226905 A1\* 10/2007 VanNeste ..... A47G 9/023  
 5/486  
 2009/0134285 A1 5/2009 Huang  
 2009/0196034 A1 8/2009 Gherardini et al.  
 2010/0051210 A1\* 3/2010 Daly ..... A47H 2/00  
 160/113  
 2012/0073170 A1\* 3/2012 Boltz ..... G09F 15/0025  
 40/603  
 2012/0169999 A1 7/2012 Cavendish et al.  
 2014/0183309 A1 7/2014 Pasho  
 2014/0197123 A1 7/2014 McPhillips  
 2015/0114578 A1\* 4/2015 Baines ..... A47H 13/00  
 160/330  
 2017/0236460 A1\* 8/2017 Cook ..... G09F 15/0025  
 40/603

FOREIGN PATENT DOCUMENTS

DE 8517546.3 U1 1/1985  
 DE 29820223 U1 2/1999  
 DE 10138986 A 3/2003  
 DE 102011015351 A1 10/2012  
 EP 1995508 A2 11/2008  
 FR 2851442 A1 2/2003

OTHER PUBLICATIONS

PCT Notification, International Search Report and Written Opinion, International Application No. PCT/US2014/011055, dated Jun. 2, 2014, 10 pages.  
 PCT Notification, International Search Report, International Application No. PCT/US2014/061074, dated Feb. 25, 2015, 12 pages.  
 PCT Notification and International Preliminary Report on Patentability, Application No. PCT/US2014/011055, dated Jul. 14, 2015, 7 pages.  
 PCT Notification, International Search Report and Written Opinion of the International Search Authority, Intl. App. No. PCT/US2015/031782, dated Aug. 14, 2015, 11 pages.

\* cited by examiner



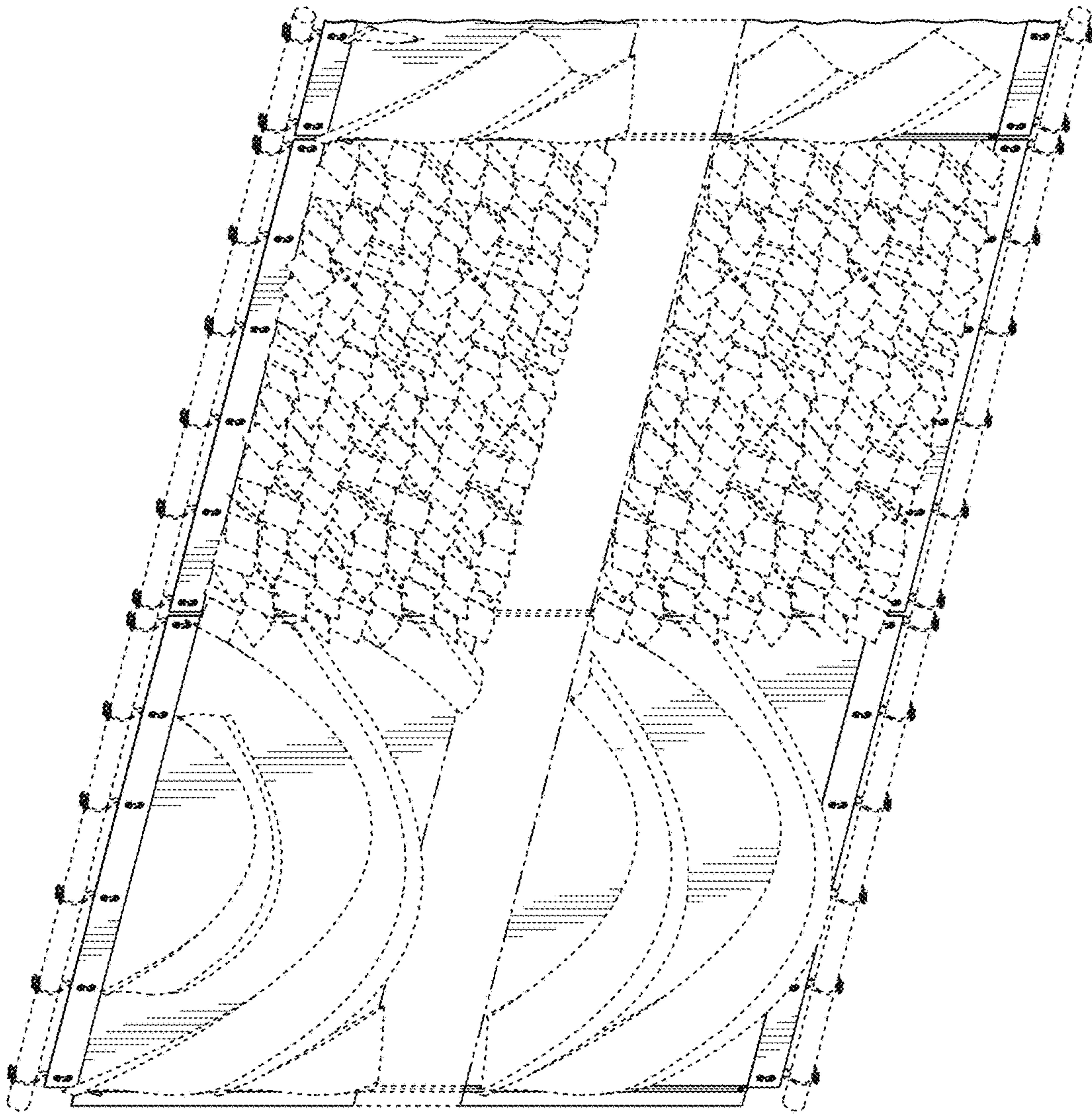


FIG. 1

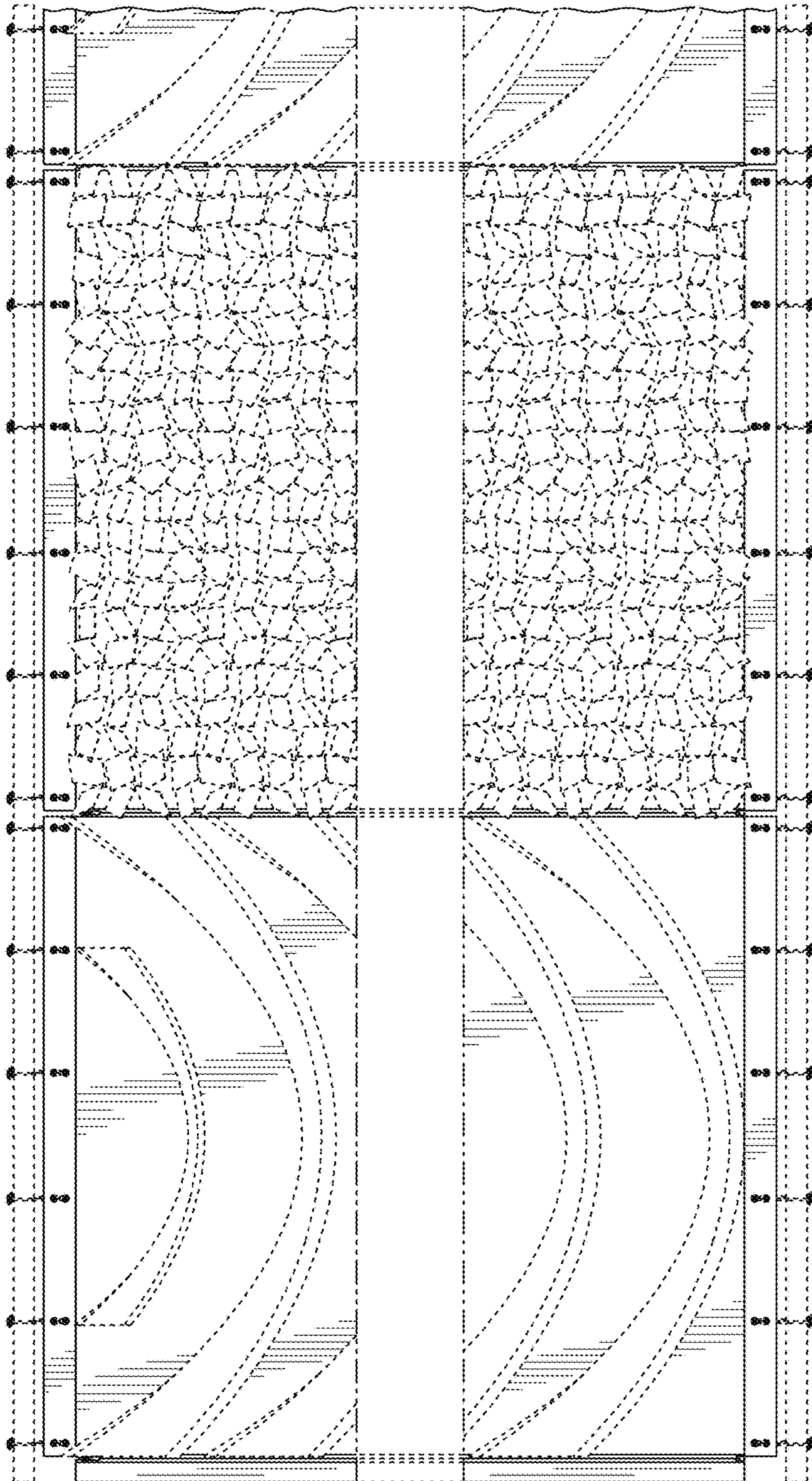


FIG. 2



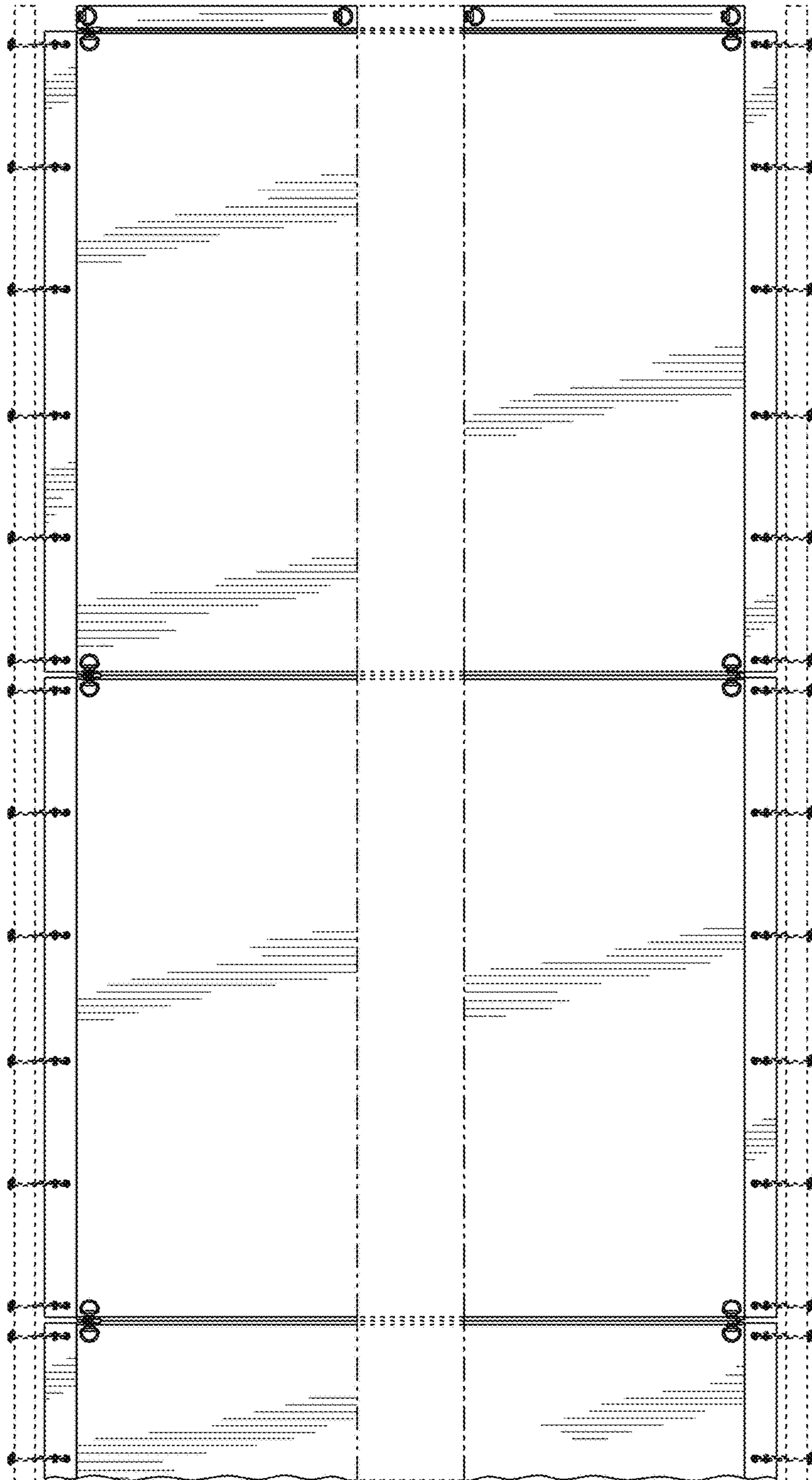


FIG. 3

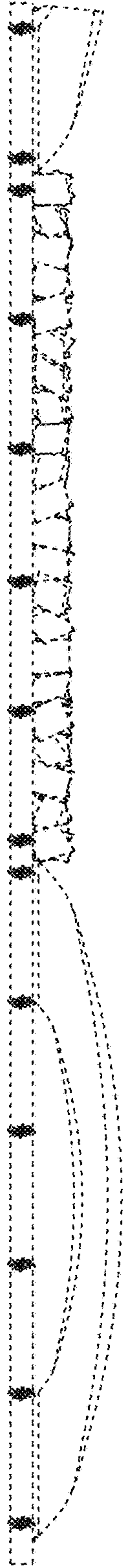


FIG. 4

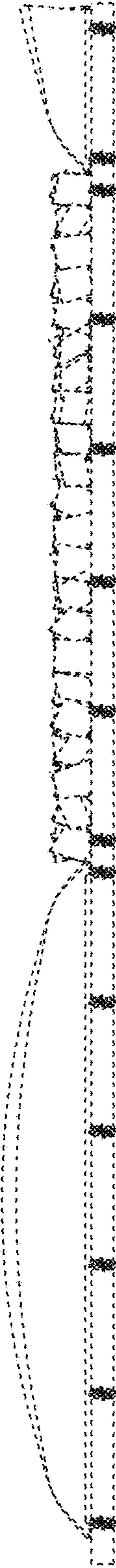


FIG. 5

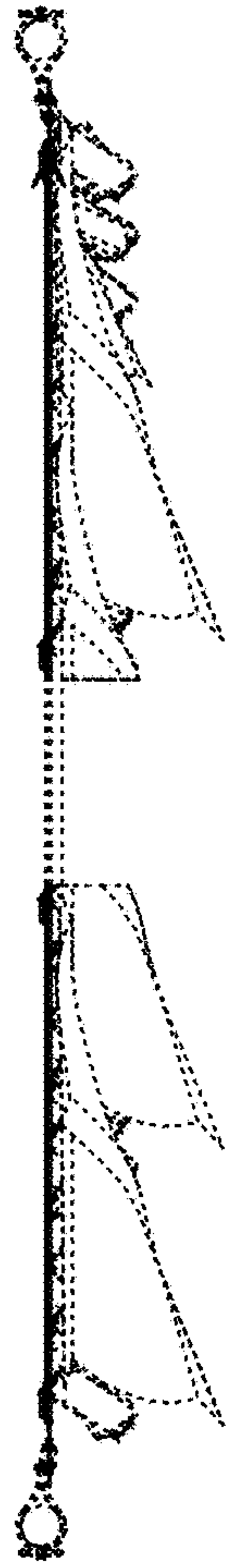


FIG. 6

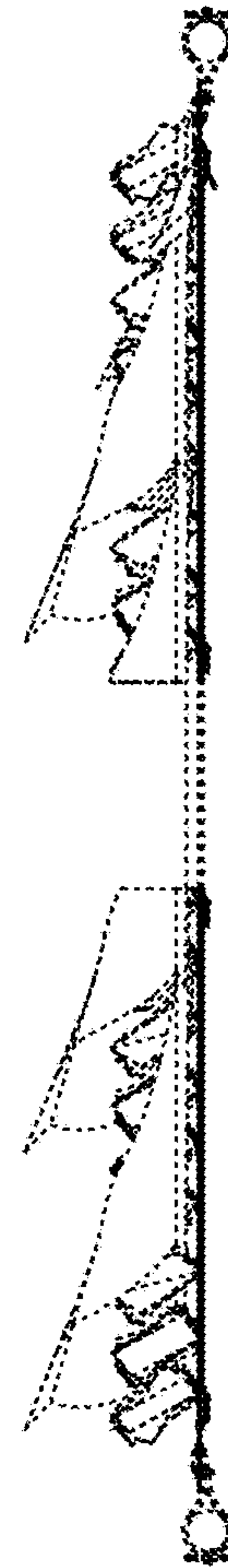


FIG. 7

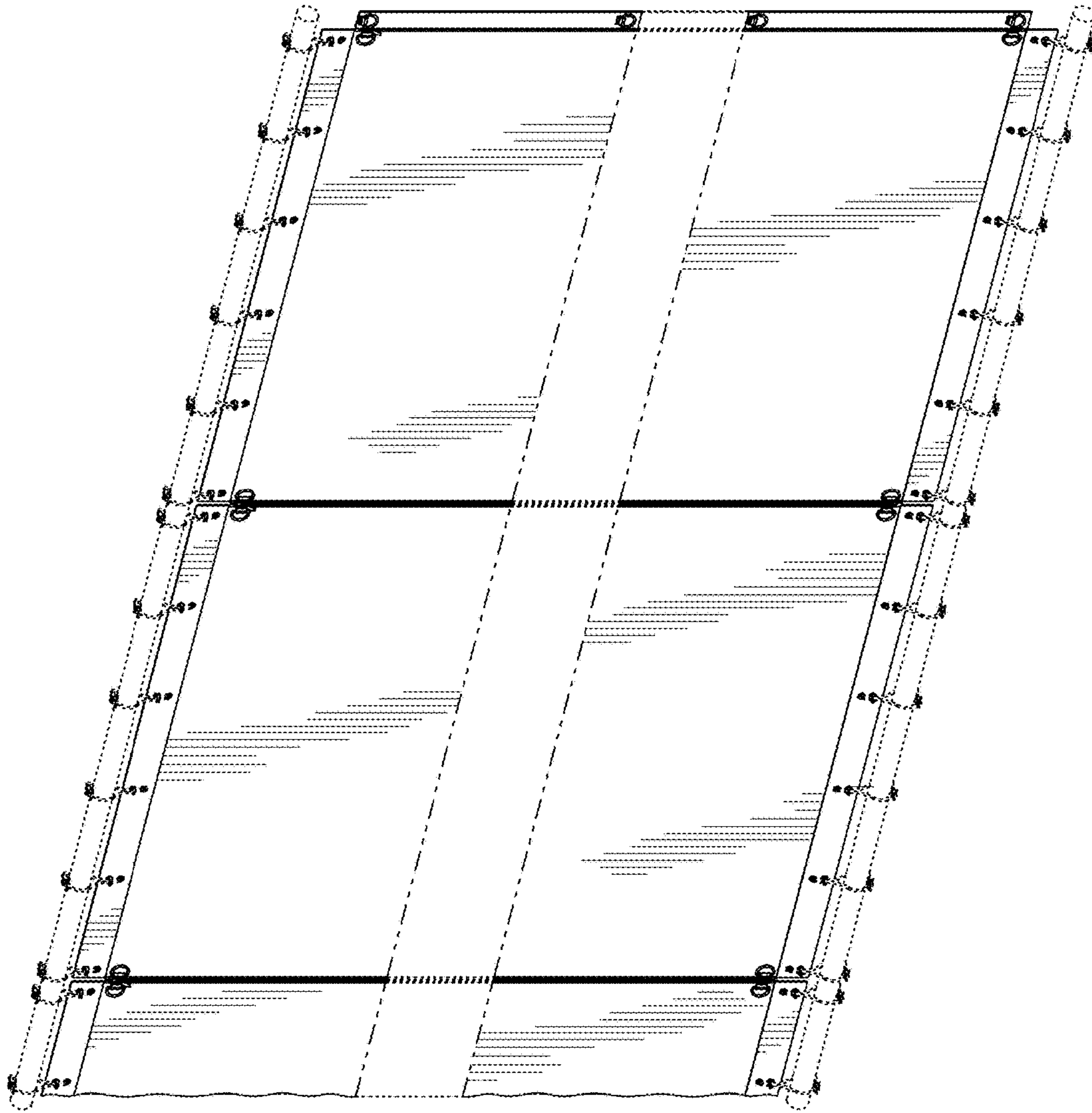


FIG. 8



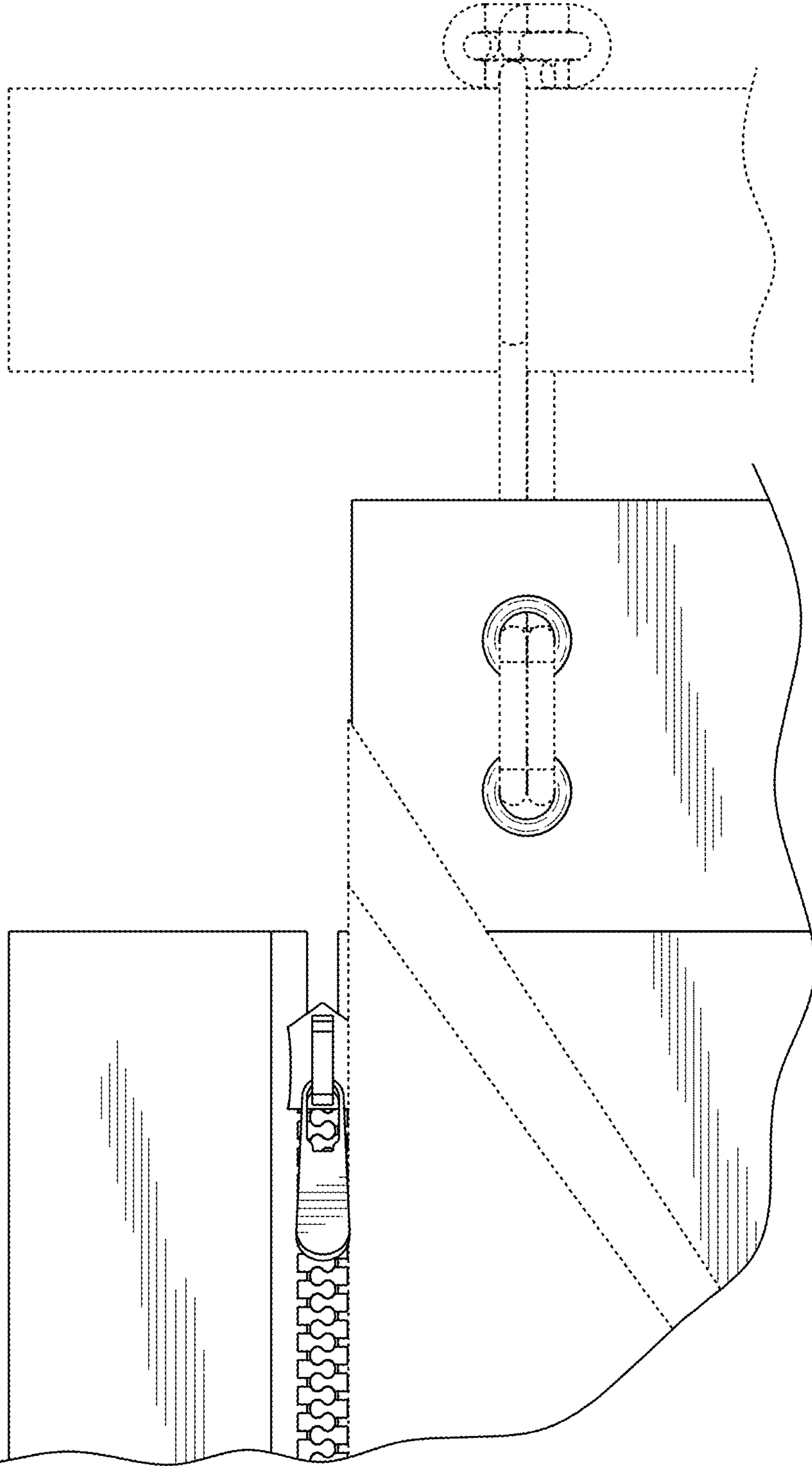


FIG. 9

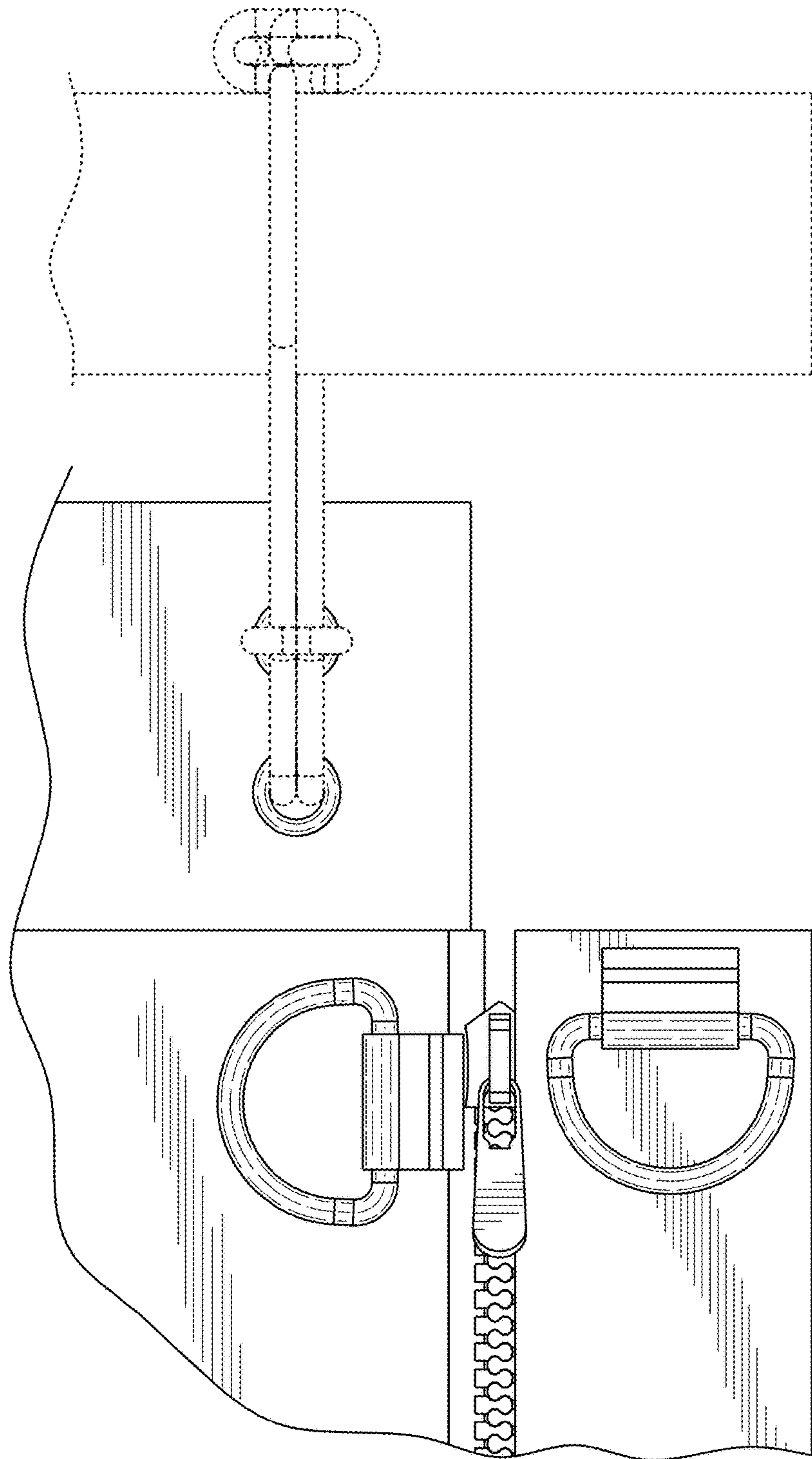


FIG. 10