



US00D815687S

(12) **United States Design Patent** (10) **Patent No.:** **US D815,687 S**
Dorpmund et al. (45) **Date of Patent:** **** Apr. 17, 2018**

(54) **WRITING INSTRUMENT**
(71) Applicants: **Patrick Dorpmund**, Chaponost (FR);
Pedro Mariano, Vaulx-en-Velin (FR)
(72) Inventors: **Patrick Dorpmund**, Chaponost (FR);
Pedro Mariano, Vaulx-en-Velin (FR);
Jacques Ferret, Paris (FR)
(**) Term: **15 Years**
(21) Appl. No.: **35/502,319**
(22) Filed: **Dec. 9, 2016**
(80) **Hague Agreement Data**
Int. Filing Date: **Dec. 9, 2016**
Int. Reg. No.: **DM/094112**
Int. Reg. Date: **Dec. 9, 2016**
Int. Reg. Pub. Date: **Jan. 20, 2017**
(51) **LOC (11) Cl.** **19-06**
(52) **U.S. Cl.**
USPC **D19/177; D19/925**
(58) **Field of Classification Search**
USPC D14/411, 431; D19/115-204
CPC . B43K 7/00; B43K 7/005; B43K 7/12; B43K
8/04; B43K 8/06; B43K 19/00; B43K
19/02; B43K 19/14; B43K 21/006; B43K
23/06; B43K 24/08
See application file for complete search history.

4,685,820 A * 8/1987 Kremer B43K 5/1845
401/17
4,848,947 A * 7/1989 Kremer A46B 11/0013
401/206
D307,601 S * 5/1990 Poisson D19/165
D332,624 S * 1/1993 Hollowood D19/163
D339,377 S * 9/1993 Irving 401/35
5,368,405 A * 11/1994 Sixiong B43K 8/003
401/17
D369,183 S * 4/1996 Yoshida D19/163
D444,175 S * 6/2001 Omura D19/179
6,641,320 B1 * 11/2003 Ballot A45D 34/042
401/198
D493,832 S * 8/2004 Hung D19/163
6,895,888 B1 * 5/2005 Spillman B42D 9/004
116/234
D608,827 S * 1/2010 Hung D19/163
8,753,027 B2 * 6/2014 Ballot B43K 5/1845
401/205
D711,468 S * 8/2014 Tam D19/163
D715,359 S * 10/2014 Morales D19/163
D725,704 S * 3/2015 Jiang D19/163
D748,195 S * 1/2016 Wang D19/163
D789,452 S * 6/2017 Matsumura D19/163
D797,742 S * 9/2017 Chang D14/411

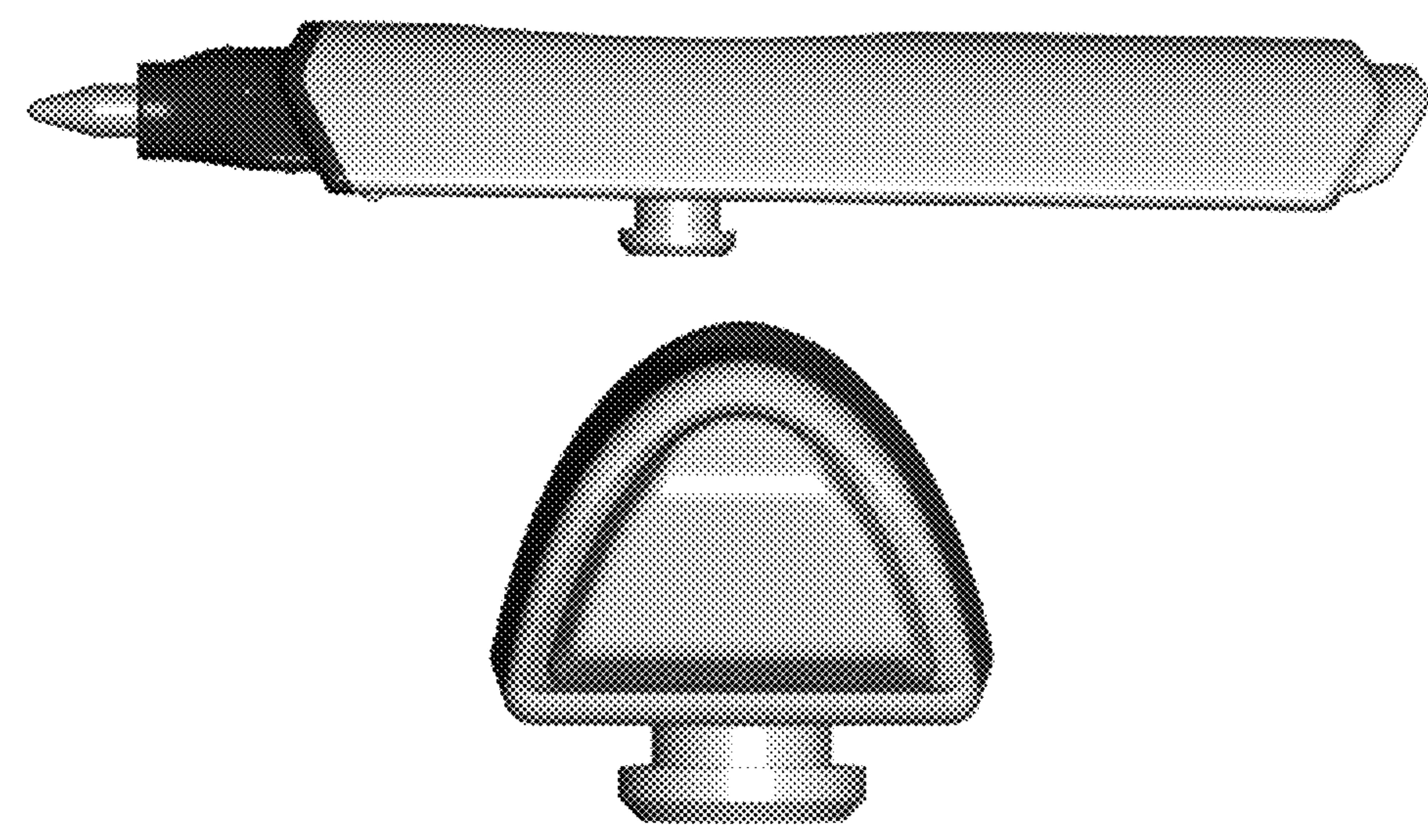
* cited by examiner
Primary Examiner — Elizabeth Albert

(57) **CLAIM**
The ornamental design for a writing instrument, as shown and described.

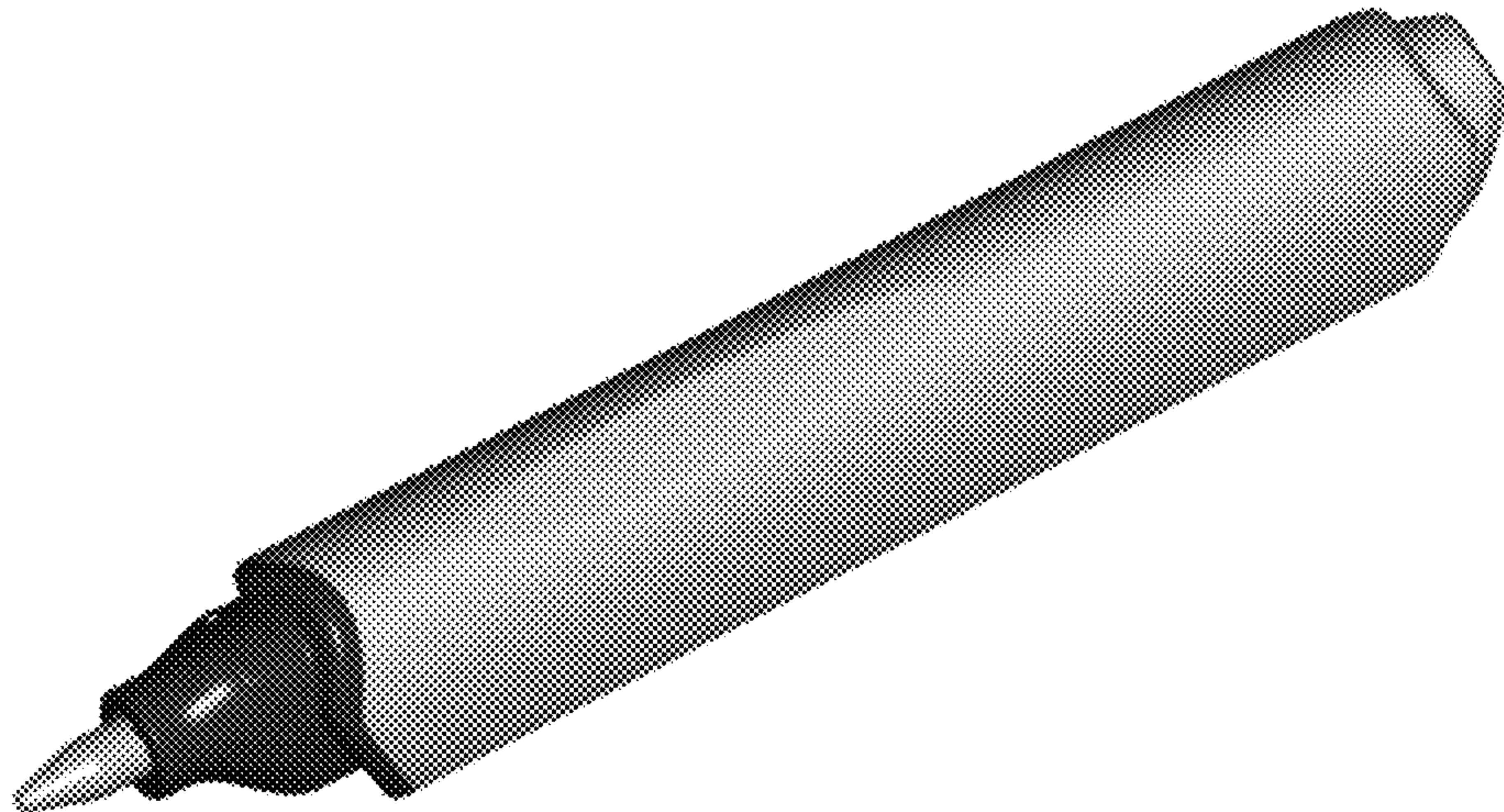
DESCRIPTION

- 1. Writing instrument
- 1.1 : Perspective
- 1.2 : Top
- 1.3 : Bottom
- 1.4 : Profile
- 1.5 : Side

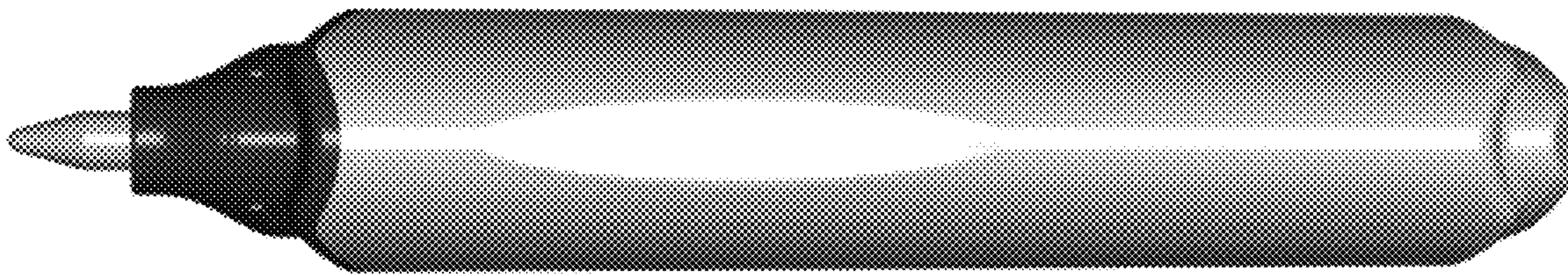
1 Claim, 5 Drawing Sheets



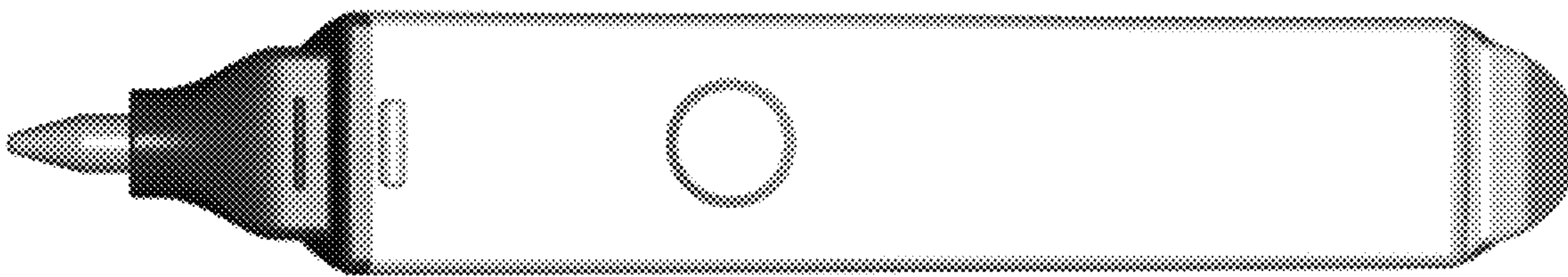
1.1



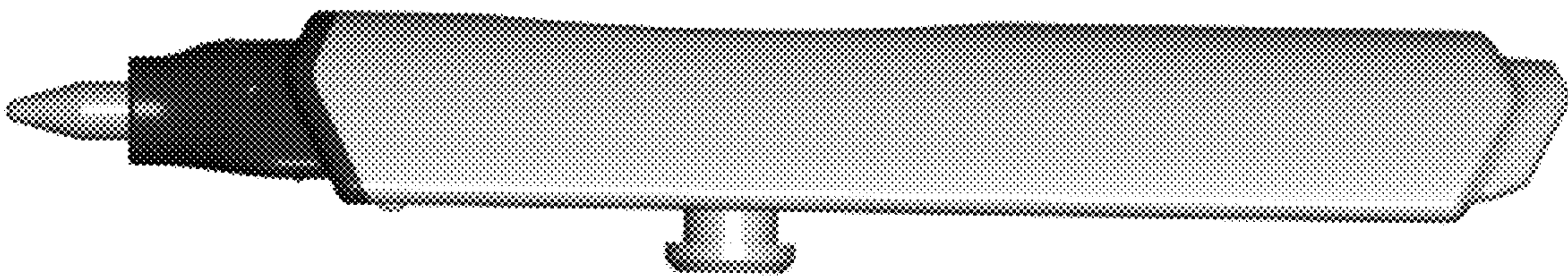
1.2



1.3



1.4



1.5

