



US00D815686S

(12) **United States Design Patent**
Nakata

(10) **Patent No.:** **US D815,686 S**
(45) **Date of Patent:** **** Apr. 17, 2018**

(54) **BALLPOINT PEN**
(71) Applicant: **KOTOBUKI & CO., LTD.**,
Kawagoe-shi (JP)
(72) Inventor: **Takaaki Nakata**, Kawagoe (JP)
(73) Assignee: **KOTOBUKI & CO., LTD.**,
Saitama-Ken (JP)
(**) Term: **15 Years**

D622,771 S *	8/2010	Casciotti	D19/199
D624,965 S *	10/2010	Li	D19/172
D626,595 S *	11/2010	Casciotti	D19/199
D628,643 S *	12/2010	Li	D19/174
D672,813 S *	12/2012	Zhang	D19/172
D691,197 S *	10/2013	Casciotti	D19/171
D692,483 S *	10/2013	Laemle	D19/172
D762,774 S *	8/2016	Zhang	D19/170
D780,268 S *	2/2017	Laemle	D19/170
D797,192 S *	9/2017	Casciotti	D19/199
D800,303 S *	10/2017	Ratjen	D24/130

* cited by examiner

(21) Appl. No.: **29/585,265**
(22) Filed: **Nov. 22, 2016**
(51) **LOC (11) Cl.** **19-06**
(52) **U.S. Cl.**
USPC **D19/172; D19/932; D19/933**
(58) **Field of Classification Search**
USPC D14/411; D19/115-204; D28/7, 76, 88
CPC ... B43K 7/12; B43K 8/04; B43K 8/06; B43K
19/00; B43K 19/02; B43K 19/14; B43K
21/006; B43K 21/06; B43K 23/06; B43K
24/08
See application file for complete search history.

Primary Examiner — Elizabeth Albert
(74) *Attorney, Agent, or Firm* — Frost Brown Todd LLC

(57) **CLAIM**

The ornamental design for a ballpoint pen, as shown and described.

DESCRIPTION

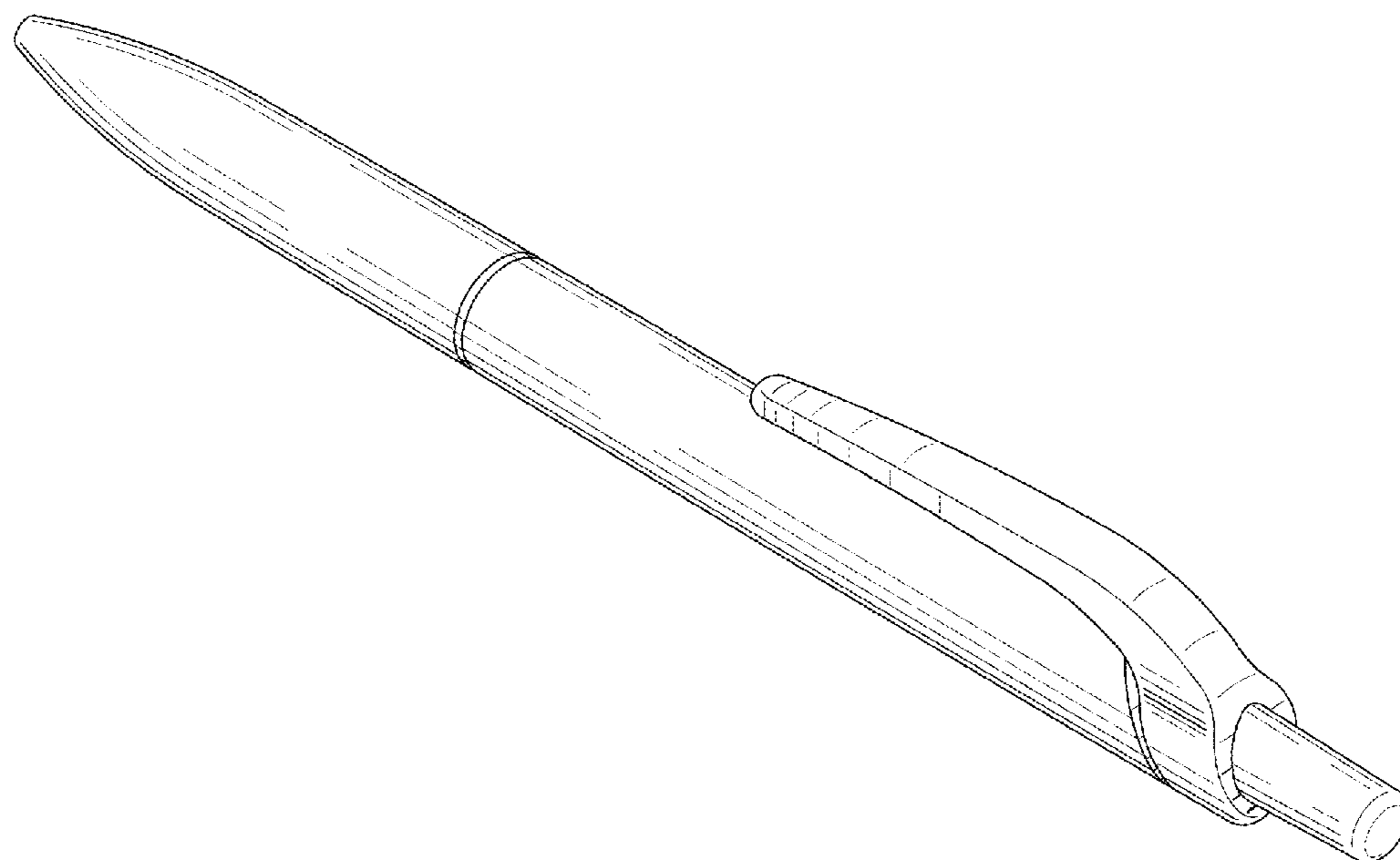
FIG. 1 is a top perspective view of a ballpoint pen showing my new design;
FIG. 2 is a side elevational view thereof, the other side thereof being a mirror image of the side shown in FIG. 2;
FIG. 3 is a front end view thereof;
FIG. 4 is a rear end view thereof;
FIG. 5 is a top plan view thereof;
FIG. 6 is a bottom plan view thereof; and,
FIG. 7 is a side elevational view thereof in an alternative use position, with a button actuated and a pen tip correspondingly moved to a distal position.

1 Claim, 7 Drawing Sheets

(56) **References Cited**

U.S. PATENT DOCUMENTS

D322,460 S *	12/1991	Herbst	D19/185
D499,448 S *	12/2004	Rommel	D19/175
D506,506 S *	6/2005	Qiu	D19/172
D546,881 S *	7/2007	Qiu	D19/172
D548,788 S *	8/2007	Anand	D19/172
D561,254 S *	2/2008	Lin	D19/172
D575,821 S *	8/2008	Tan	D19/174



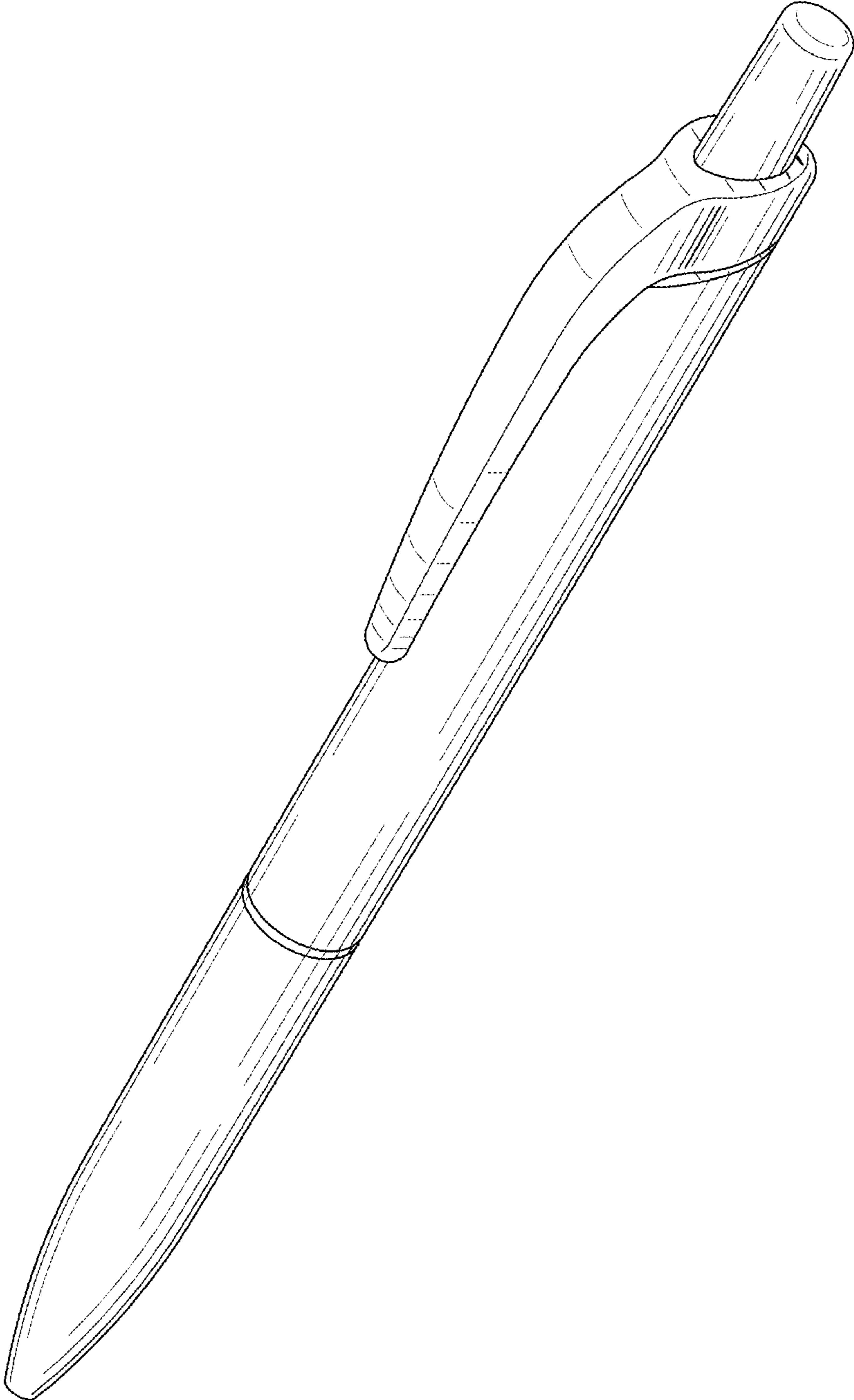


Fig. 1

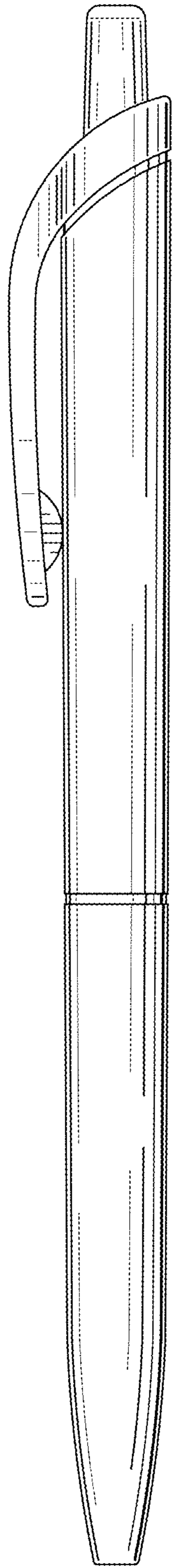


Fig. 2

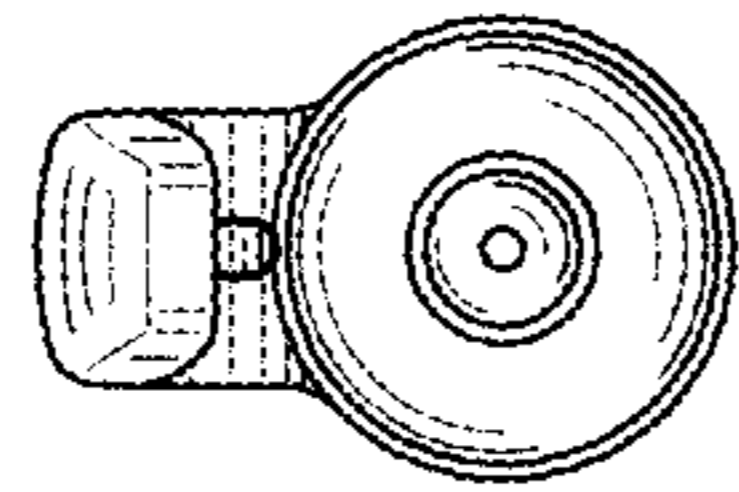


Fig. 3

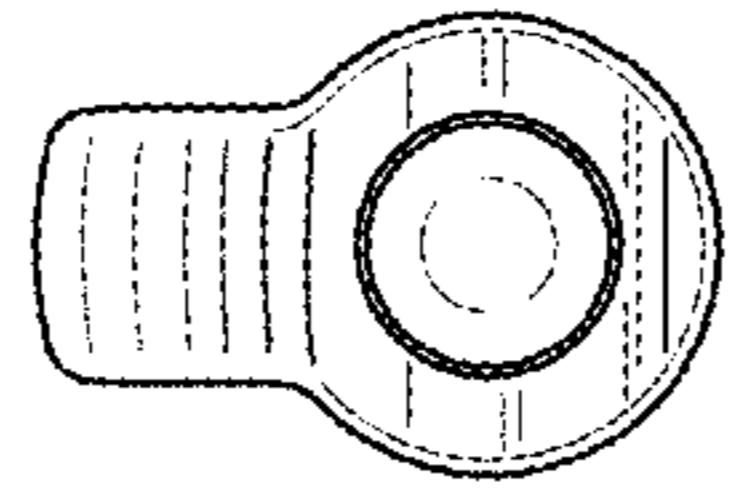


Fig. 4

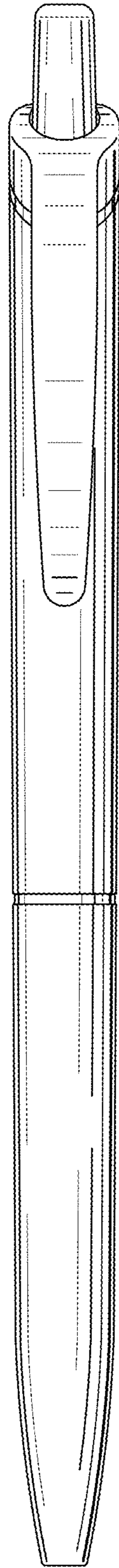


Fig. 5

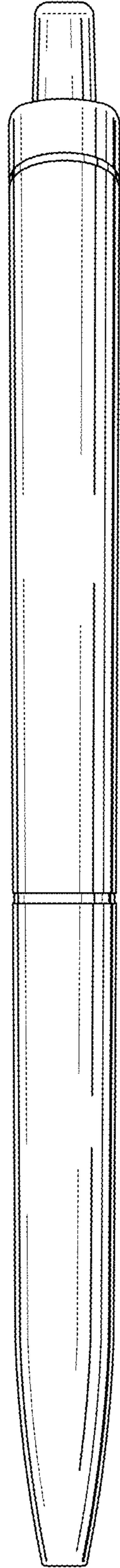


Fig. 6

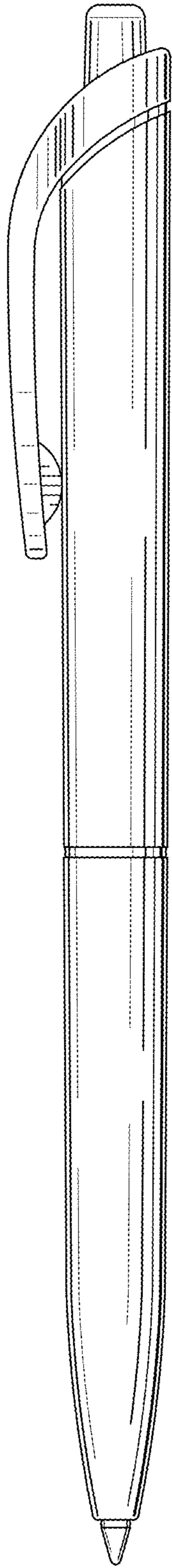


Fig. 7