



US00D815685S

(12) **United States Design Patent**
Dorpmund et al.

(10) **Patent No.:** **US D815,685 S**
(45) **Date of Patent:** **** Apr. 17, 2018**

(54) **WRITING INSTRUMENT**

(71) Applicants: **Patrick Dorpmund**, Chaponost (FR);
Pedro Mariano, Vaulx-en-Velin (FR)

(72) Inventors: **Patrick Dorpmund**, Chaponost (FR);
Pedro Mariano, Vaulx-en-Velin (FR);
Jacques Ferret, Paris (FR)

(**) Term: **15 Years**

(21) Appl. No.: **35/502,318**

(22) Filed: **Dec. 9, 2016**

(80) **Hague Agreement Data**

Int. Filing Date: **Dec. 9, 2016**
Int. Reg. No.: **DM/094111**
Int. Reg. Date: **Dec. 9, 2016**
Int. Reg. Pub. Date: **Jan. 20, 2017**

(51) **LOC (11) Cl.** **19-06**

(52) **U.S. Cl.**
USPC **D19/117; D19/929**

(58) **Field of Classification Search**
USPC D14/411, 431; D19/115-204
CPC . B43K 7/00; B43K 7/005; B43K 7/12; B43K
8/04; B43K 8/06; B43K 19/00; B43K
19/02; B43K 19/14; B43K 21/006; B43K
23/06; B43K 24/08

See application file for complete search history.

(56) **References Cited**

U.S. PATENT DOCUMENTS

1,977,527 A * 10/1934 Pohle B43K 27/08
401/34
D289,368 S * 4/1987 Mann 401/195

D312,658 S * 12/1990 Sumino 401/199
D318,489 S * 7/1991 Cho-Kai D10/71
D339,377 S * 9/1993 Irving 401/35
D351,244 S * 10/1994 Lee D26/46
D407,439 S * 3/1999 Kossnar D19/77
6,022,159 A * 2/2000 Kossnar B43K 23/12
211/69.5
6,895,888 B1 * 5/2005 Spillman B42D 9/004
116/234
D565,796 S * 4/2008 Roher D28/76
D566,312 S * 4/2008 Lui D26/37
D601,756 S * 10/2009 Pires D28/76
7,718,906 B2 * 5/2010 Au F21V 23/0414
200/52 R
8,973,273 B2 * 3/2015 Brown B25G 3/38
30/153
D780,266 S * 2/2017 Rimoux D19/117
9,826,815 B2 * 11/2017 Pires A45D 40/24
2017/0087922 A1 * 3/2017 Dorpmund A45D 40/24
2017/0239976 A1 * 8/2017 Chen B43K 23/06

* cited by examiner

Primary Examiner — Elizabeth Albert

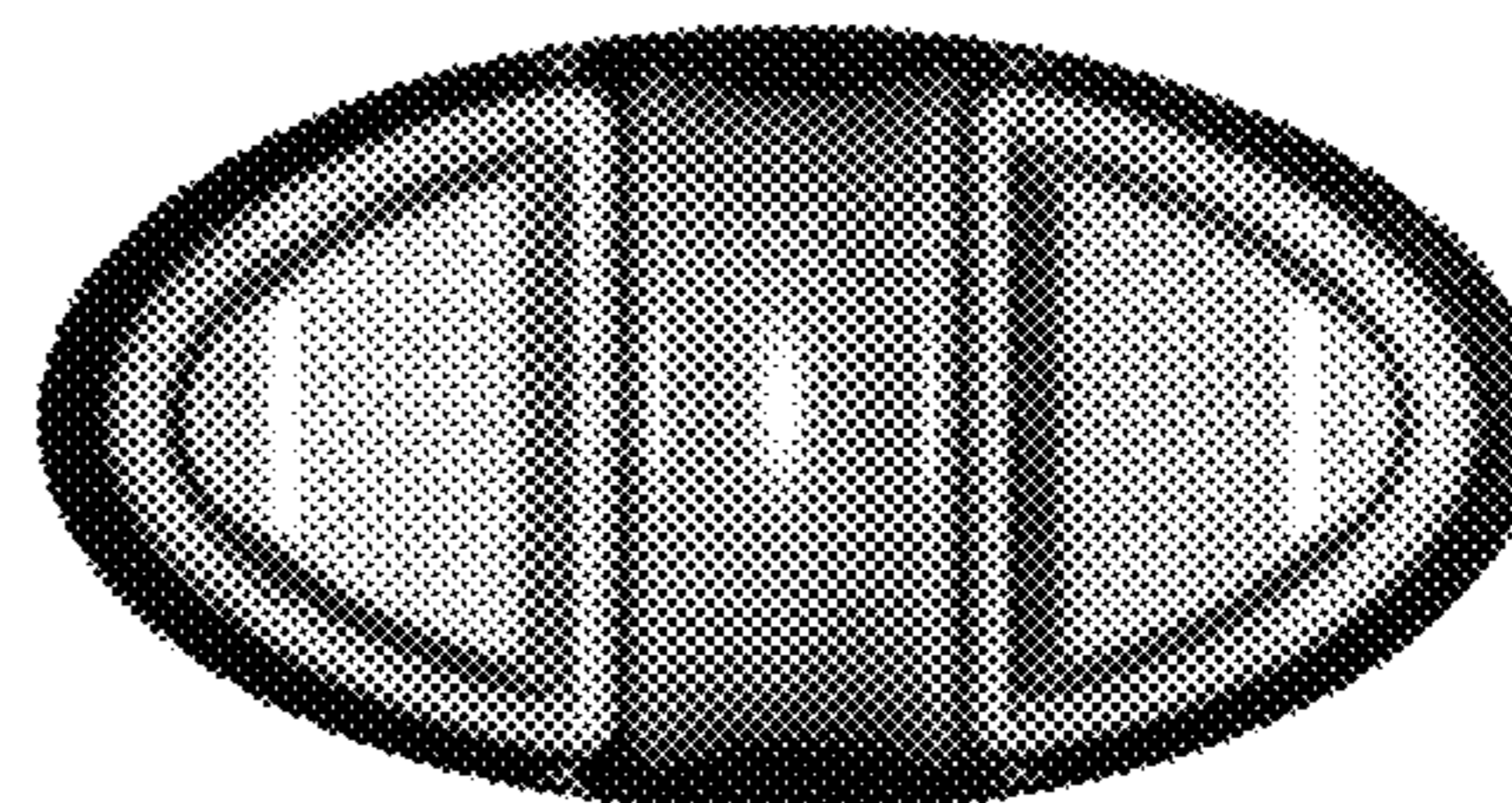
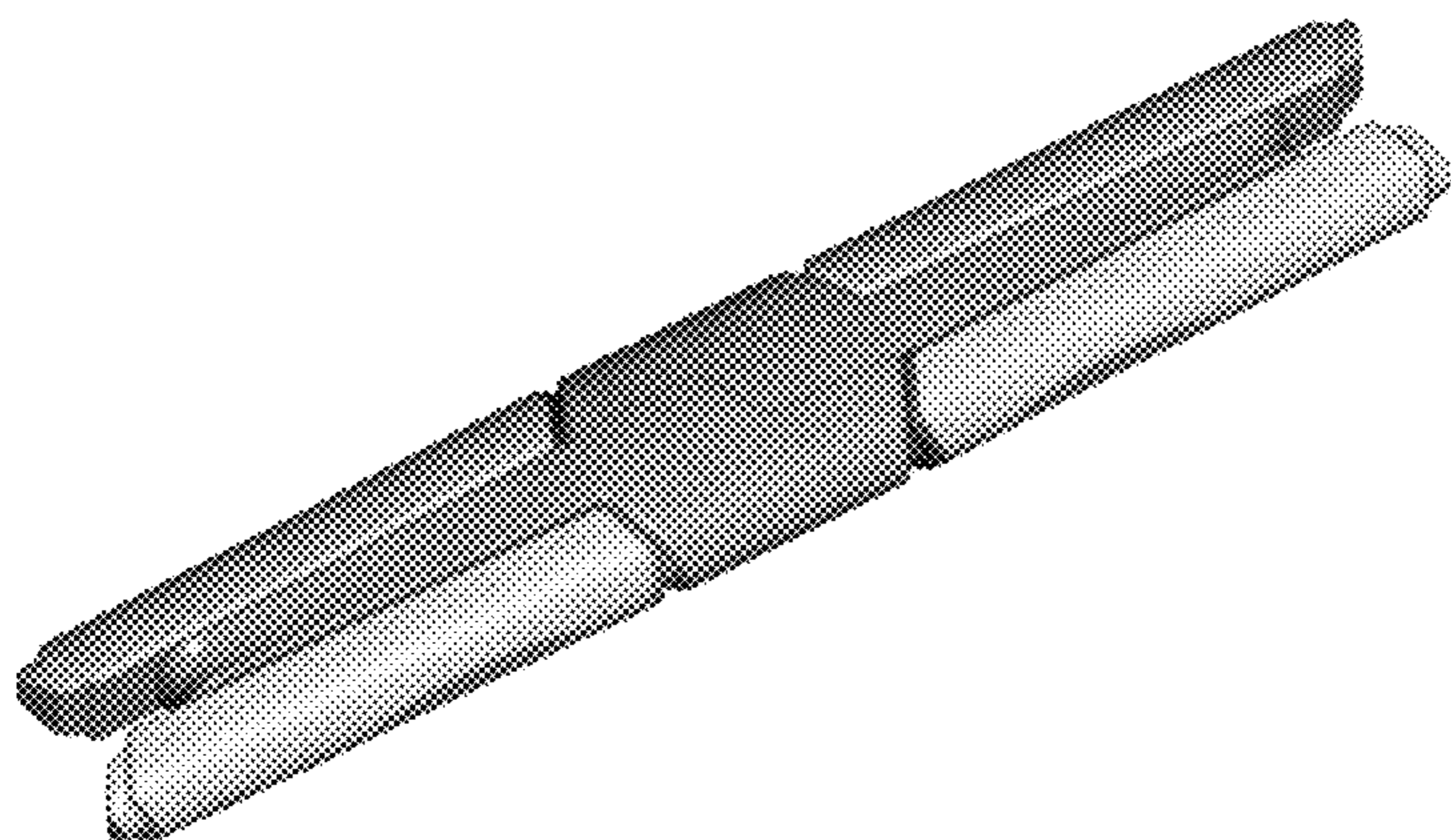
(57) **CLAIM**

The ornamental design for a writing instrument, as shown and described.

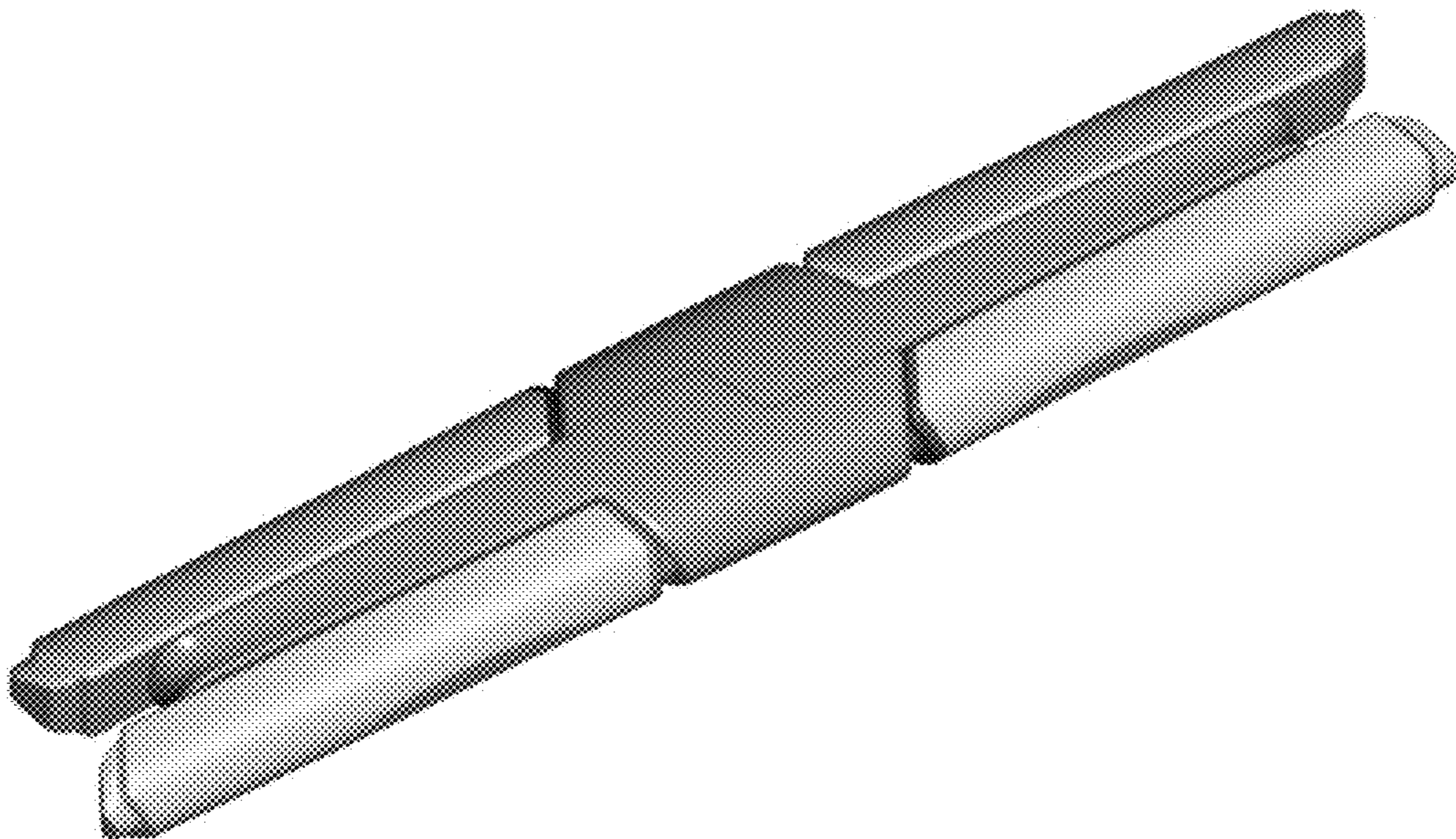
DESCRIPTION

- 1. Writing instrument
- 1.1 : Perspective
- 1.2 : Top
- 1.3 : Bottom
- 1.4 : Profile
- 1.5 : Profile
- 1.6 : Side

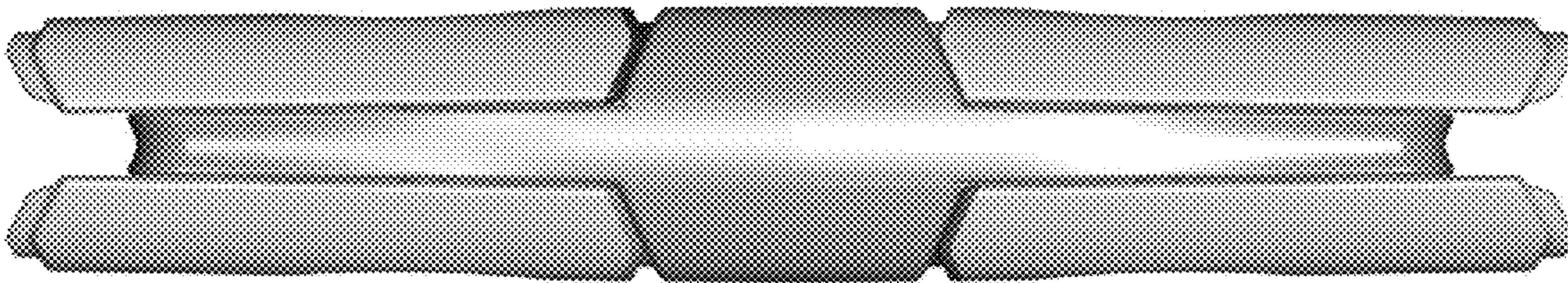
1 Claim, 6 Drawing Sheets



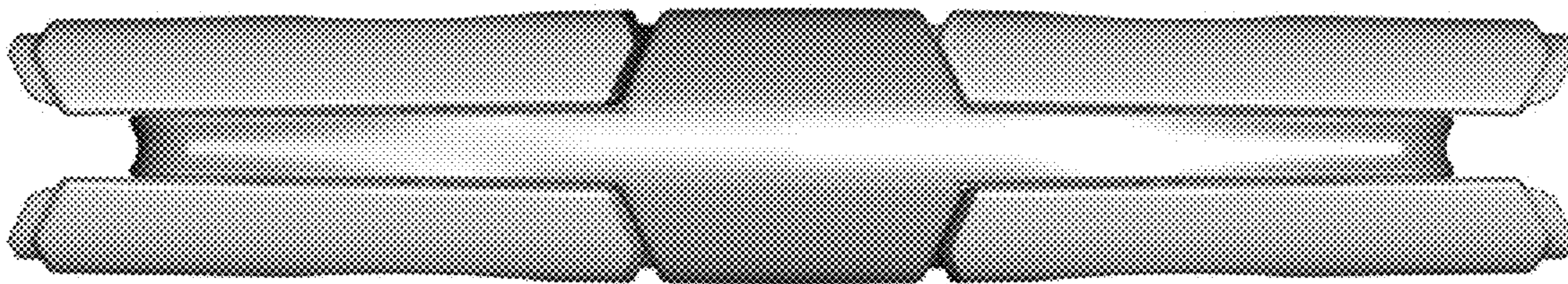
1.1



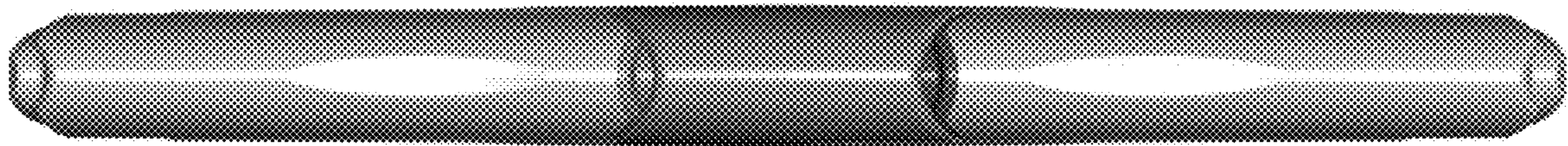
1.2



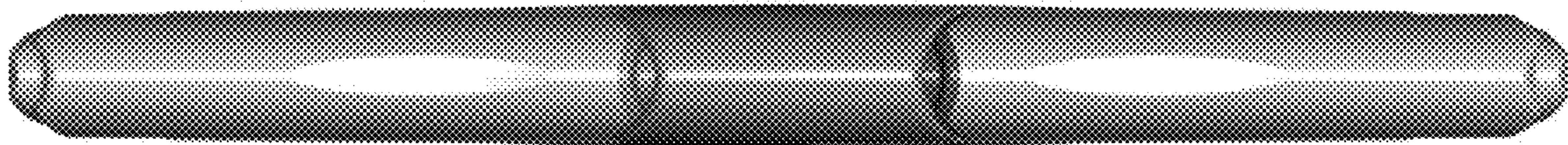
1.3



1.4



1.5



1.6

