



US00D815684S

(12) **United States Design Patent** (10) **Patent No.:** **US D815,684 S**
Tashima (45) **Date of Patent:** **** Apr. 17, 2018**

(54) **PRINTER**
(71) Applicant: **BROTHER INDUSTRIES, LTD.**,
Nagoya-shi, Aichi-ken (JP)
(72) Inventor: **Kazuhisa Tashima**, Nagoya (JP)
(73) Assignee: **BROTHER INDUSTRIES, LTD.**,
Nagoya (JP)
(**) Term: **15 Years**

D720,803 S * 1/2015 Inada D18/50
D729,310 S 5/2015 Nakagawa et al.
D743,484 S * 11/2015 Nanno D18/50
D752,138 S * 3/2016 Seki D18/50
D761,903 S * 7/2016 Matsumoto D18/50
D770,565 S * 11/2016 Tanaka D18/50
D786,964 S * 5/2017 Clark, III D18/50
D792,508 S * 7/2017 Nakagawa D18/50
D799,593 S * 10/2017 Kim D18/55
D806,790 S * 1/2018 Sato D18/50
2014/0265103 A1* 9/2014 Sone B41J 11/70
270/5.02

(21) Appl. No.: **29/581,469**
(22) Filed: **Oct. 19, 2016**
(30) **Foreign Application Priority Data**
Jun. 28, 2016 (JP) 2016-13629
(51) **LOC (11) Cl.** **18-02**
(52) **U.S. Cl.**
USPC **D18/50**
(58) **Field of Classification Search**
USPC D18/50, 54-55, 36-37, 54.1
CPC G06K 15/12; G06K 15/14; B41J 11/58;
B41J 15/042
See application file for complete search history.

OTHER PUBLICATIONS

Design U.S. Appl. No. 29/464,337, filed Aug. 15, 2013.
Design U.S. Appl. No. 29/577,312, filed Sep. 12, 2016.
Design U.S. Appl. No. 29/464,324, filed Aug. 15, 2013.
Design U.S. Appl. No. 29/576,278, filed Sep. 1, 2016.
Design U.S. Appl. No. 29/576,276, filed Sep. 1, 2016.

* cited by examiner

Primary Examiner — Robin V Webster
Assistant Examiner — James C Thorn, Sr.
(74) *Attorney, Agent, or Firm* — Oliff PLC

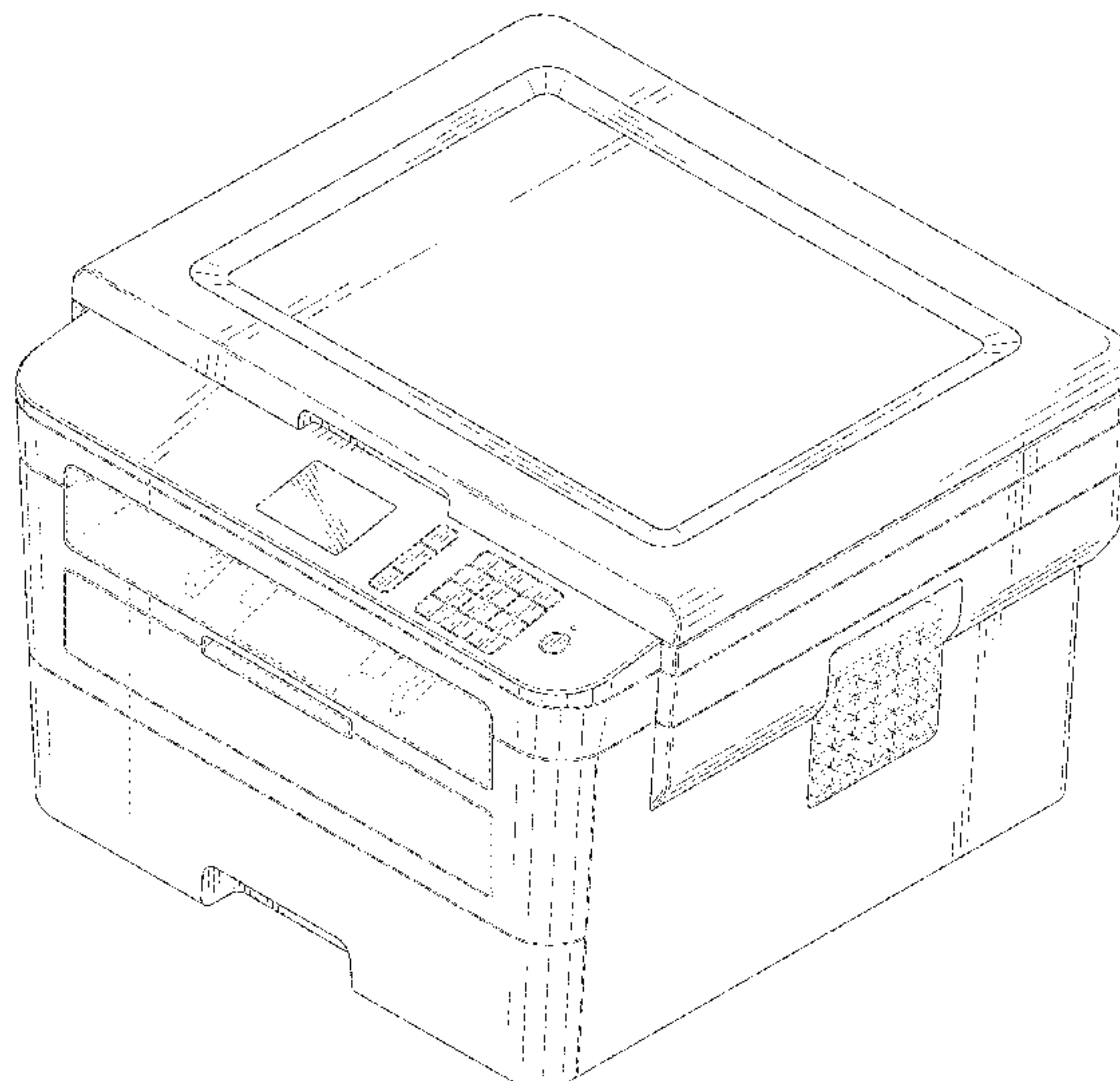
(56) **References Cited**
U.S. PATENT DOCUMENTS
D333,149 S * 2/1993 Kasno D18/36
D353,829 S * 12/1994 Onoda D18/36
D354,304 S * 1/1995 Ishibashi D18/36
D565,650 S * 4/2008 Tani D18/50
D601,185 S * 9/2009 Kim D18/50
D661,346 S 6/2012 Suzuki et al.
D665,015 S * 8/2012 Matsuno D18/50
D667,489 S * 9/2012 Inoue D18/55
D678,403 S 3/2013 Seki et al.
D681,720 S * 5/2013 Inada D18/50
D682,349 S * 5/2013 Iwai D18/50
D694,318 S 11/2013 Jihoon et al.

(57) **CLAIM**
The ornamental design for a printer, as shown and described.

DESCRIPTION

FIG. 1 is a perspective view of a printer;
FIG. 2 is a front view thereof;
FIG. 3 is a top view thereof;
FIG. 4 is a right-side view thereof;
FIG. 5 is a left-side view thereof;
FIG. 6 is a rear view thereof; and,
FIG. 7 is a bottom view thereof.
The broken lines depict environmental subject matter only
and form no part of the claimed design.

1 Claim, 7 Drawing Sheets



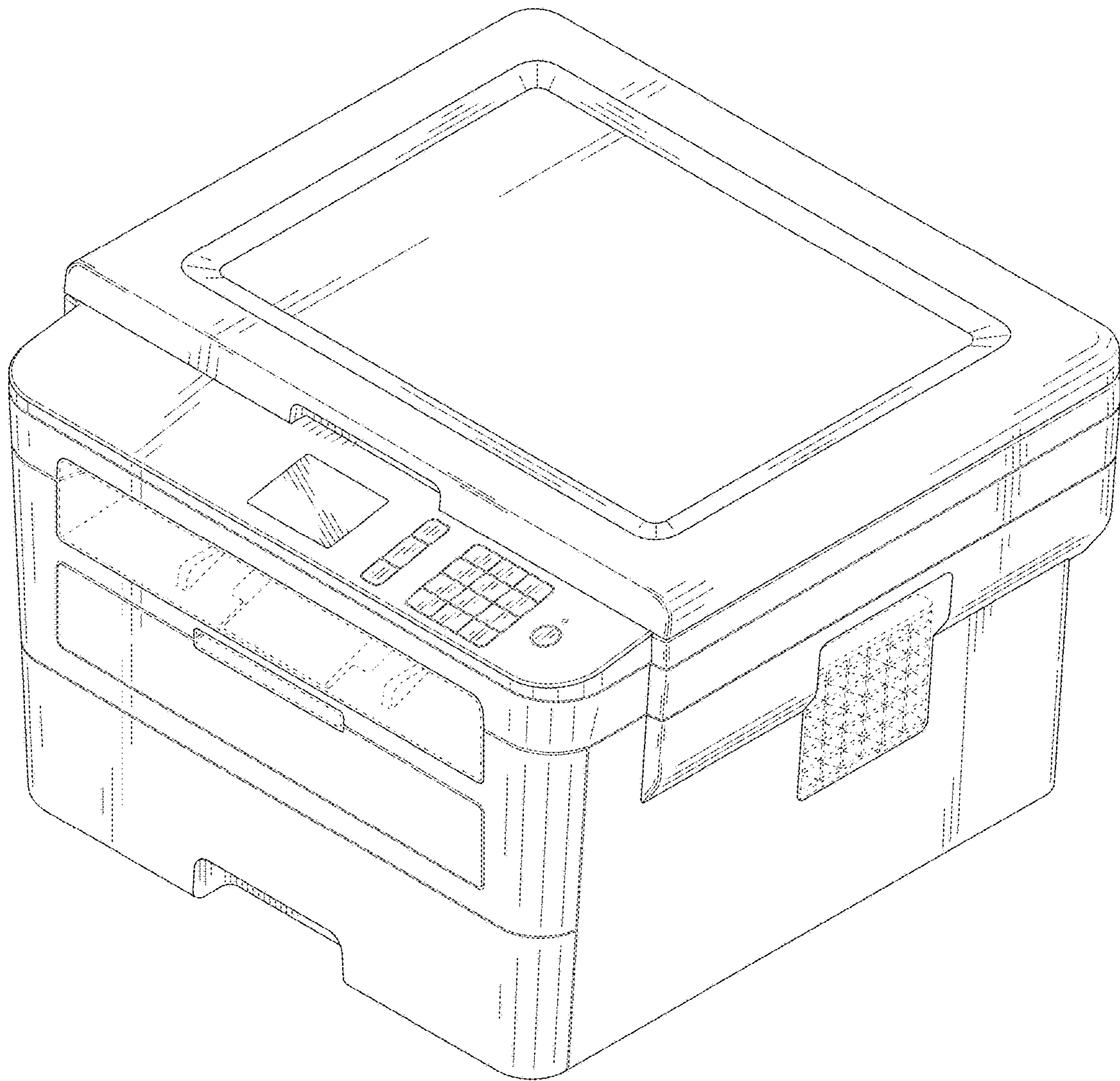


FIG. 1

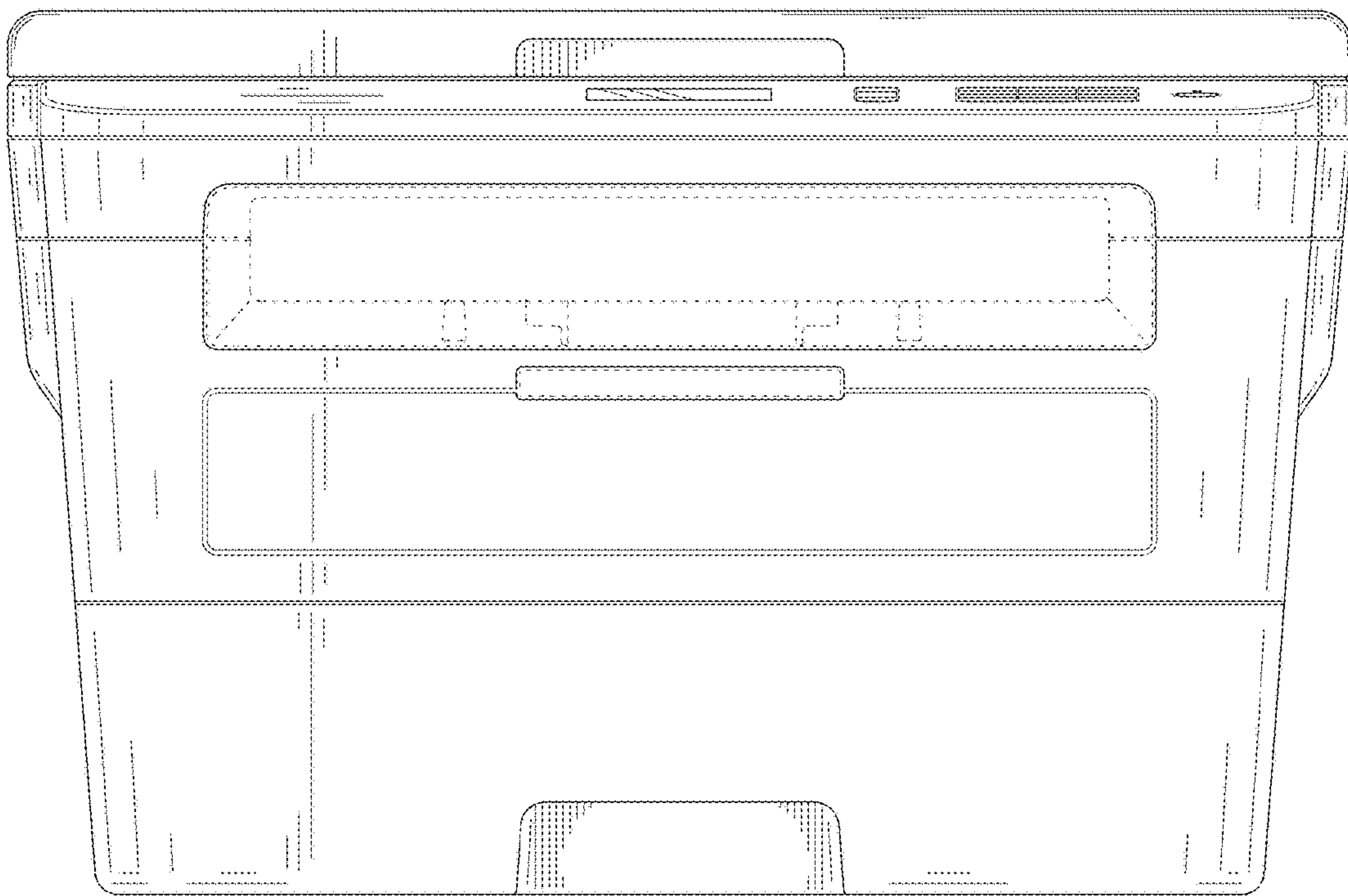


FIG. 2

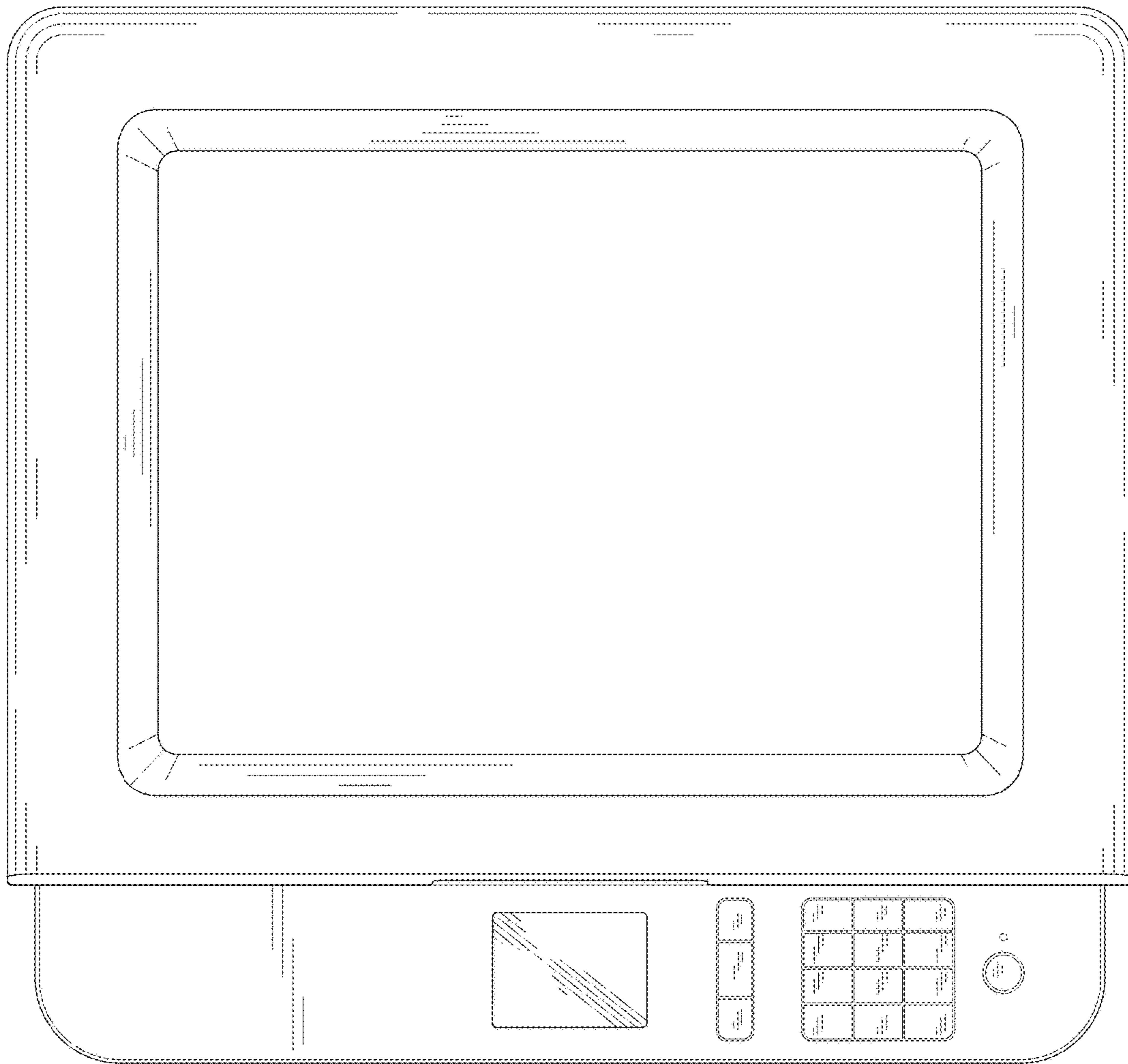


FIG. 3

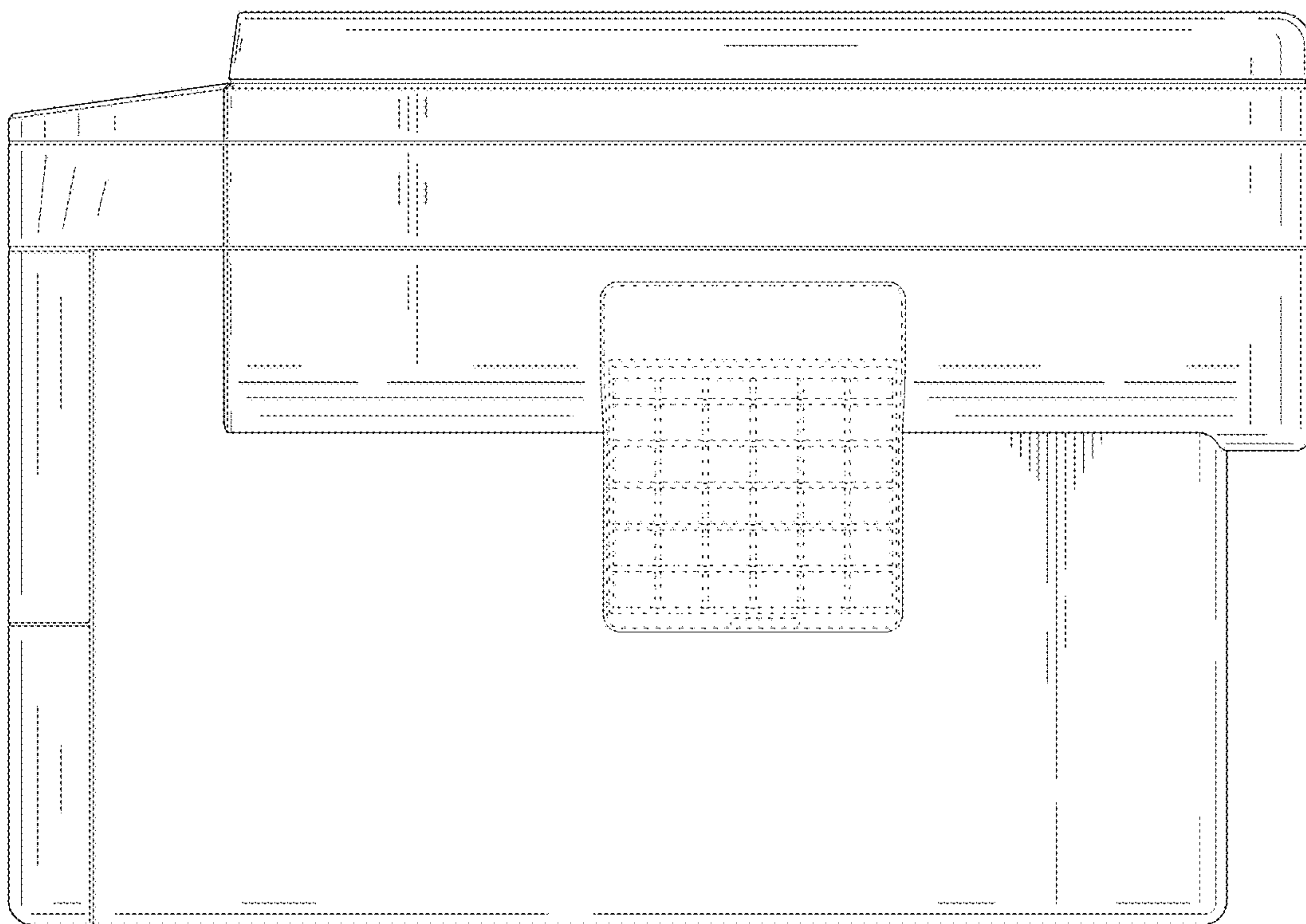


FIG. 4

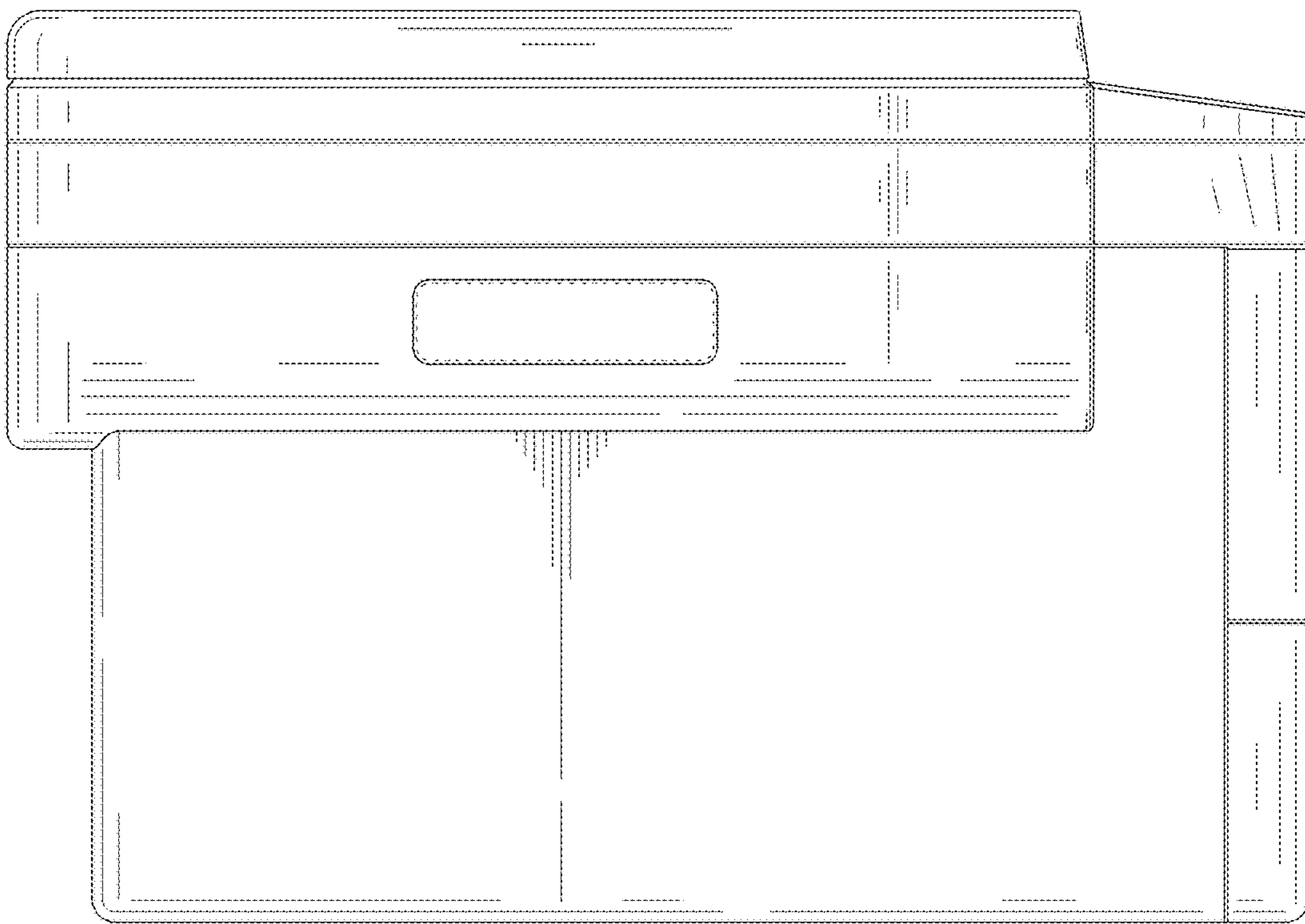


FIG. 5

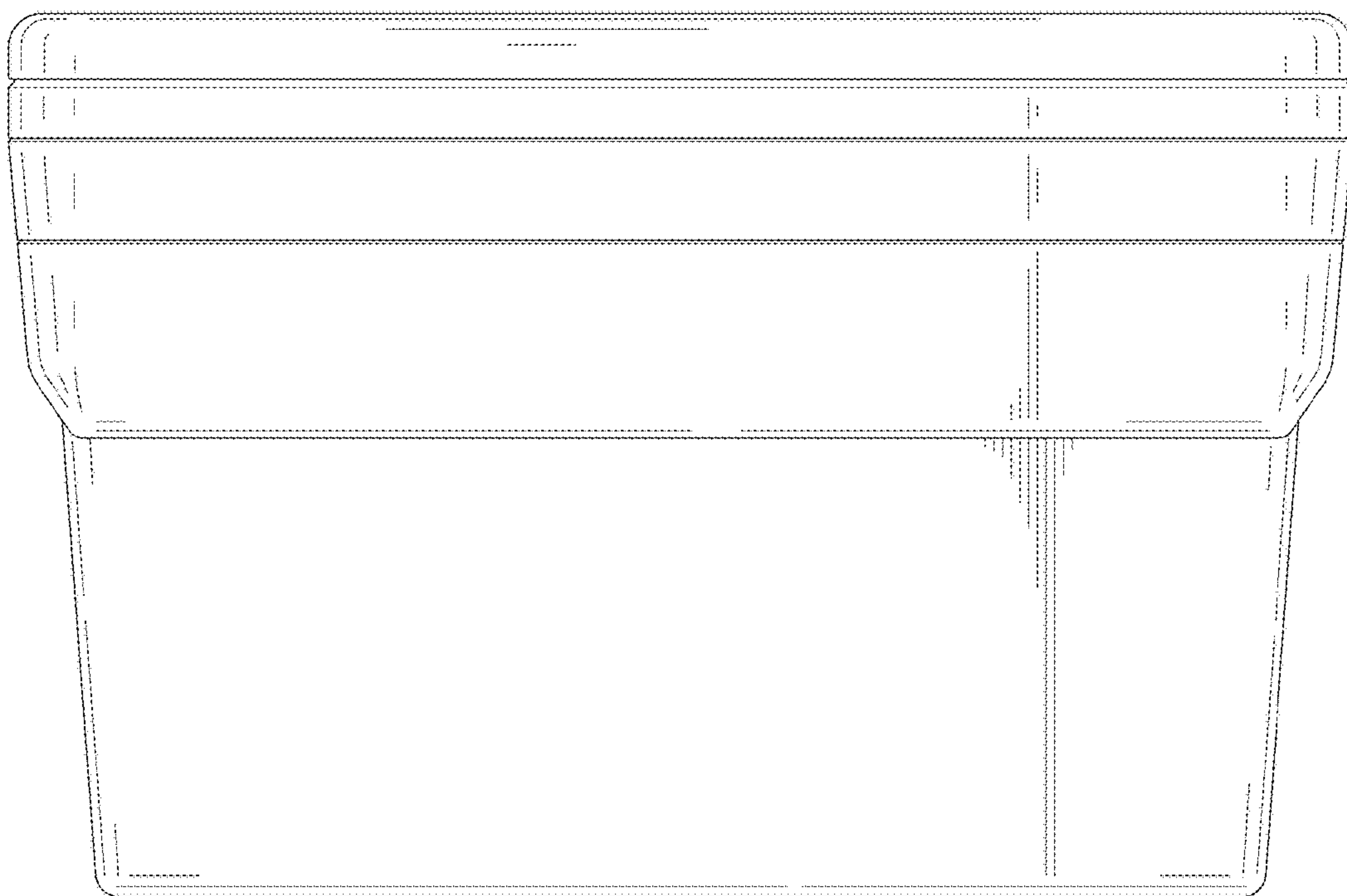


FIG. 6

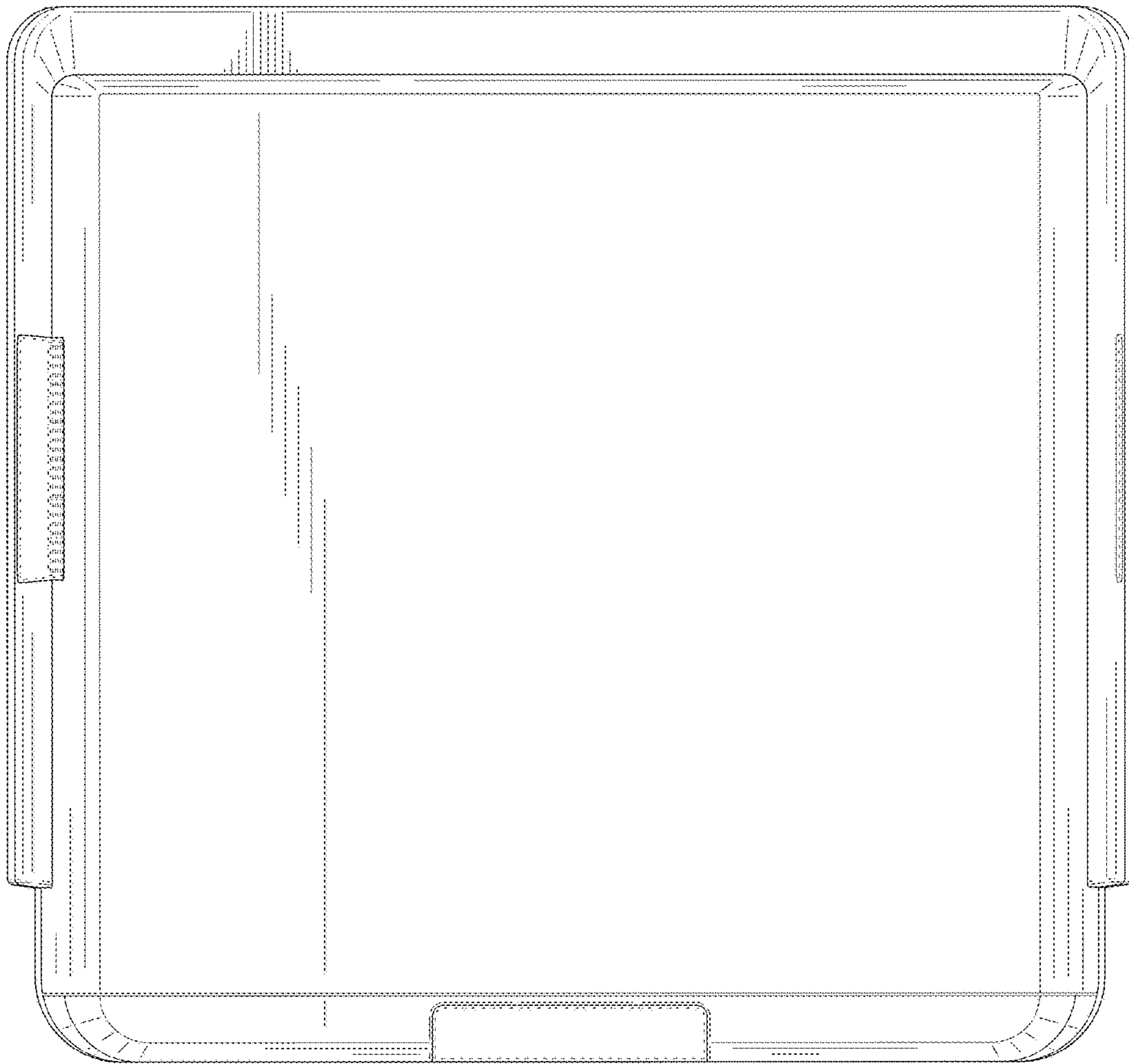


FIG. 7