



US00D815683S

(12) **United States Design Patent**
Tanaka

(10) **Patent No.:** **US D815,683 S**

(45) **Date of Patent:** **** Apr. 17, 2018**

(54) **PRINTER**

(71) Applicant: **BROTHER INDUSTRIES, LTD.**,
Nagoya-shi, Aichi-ken (JP)

(72) Inventor: **Hikomitsu Tanaka**, Nagoya (JP)

(73) Assignee: **BROTHER INDUSTRIES, LTD.**,
Nagoya (JP)

(**) Term: **15 Years**

(21) Appl. No.: **29/576,278**

(22) Filed: **Sep. 1, 2016**

(30) **Foreign Application Priority Data**

Mar. 4, 2016 (JP) 2016-4890

(51) **LOC (11) Cl.** **18-01**

(52) **U.S. Cl.**
USPC **D18/50**

(58) **Field of Classification Search**
USPC D18/50, 54-55, 36-37, 54.1
CPC G06K 15/12; G06K 15/14; B41J 11/58;
B41J 15/042
See application file for complete search history.

(56) **References Cited**

U.S. PATENT DOCUMENTS

D333,149 S *	2/1993	Kasno	D18/36
D353,829 S *	12/1994	Onoda	D18/36
D354,304 S *	1/1995	Ishibashi	D18/36
D565,650 S *	4/2008	Tani	D18/50
D601,185 S *	9/2009	Kim	D18/50
D665,015 S *	8/2012	Matsuno	D18/50
D667,489 S *	9/2012	Inoue	D18/55
D678,402 S	3/2013	Sato	

D681,720 S *	5/2013	Inada	D18/50
D682,349 S *	5/2013	Iwai	D18/50
D720,803 S *	1/2015	Inada	D18/50
D730,437 S	5/2015	Seki et al.	
D737,895 S	9/2015	Nanno et al.	
D743,484 S *	11/2015	Nanno	D18/50
D752,138 S *	3/2016	Seki	D18/50
D761,903 S *	7/2016	Matsumoto	D18/50
D770,565 S *	11/2016	Tanaka	D18/50
D786,964 S *	5/2017	Clark, III	D18/50
D792,508 S *	7/2017	Nakagawa	D18/50
D799,593 S *	10/2017	Kim	D18/55
D806,790 S *	1/2018	Sato	D18/50
2014/0265103 A1 *	9/2014	Sone	B41J 11/70 270/5.02

* cited by examiner

Primary Examiner — Robin V Webster

Assistant Examiner — James C Thorn, Sr.

(74) *Attorney, Agent, or Firm* — Oliff PLC

(57) **CLAIM**

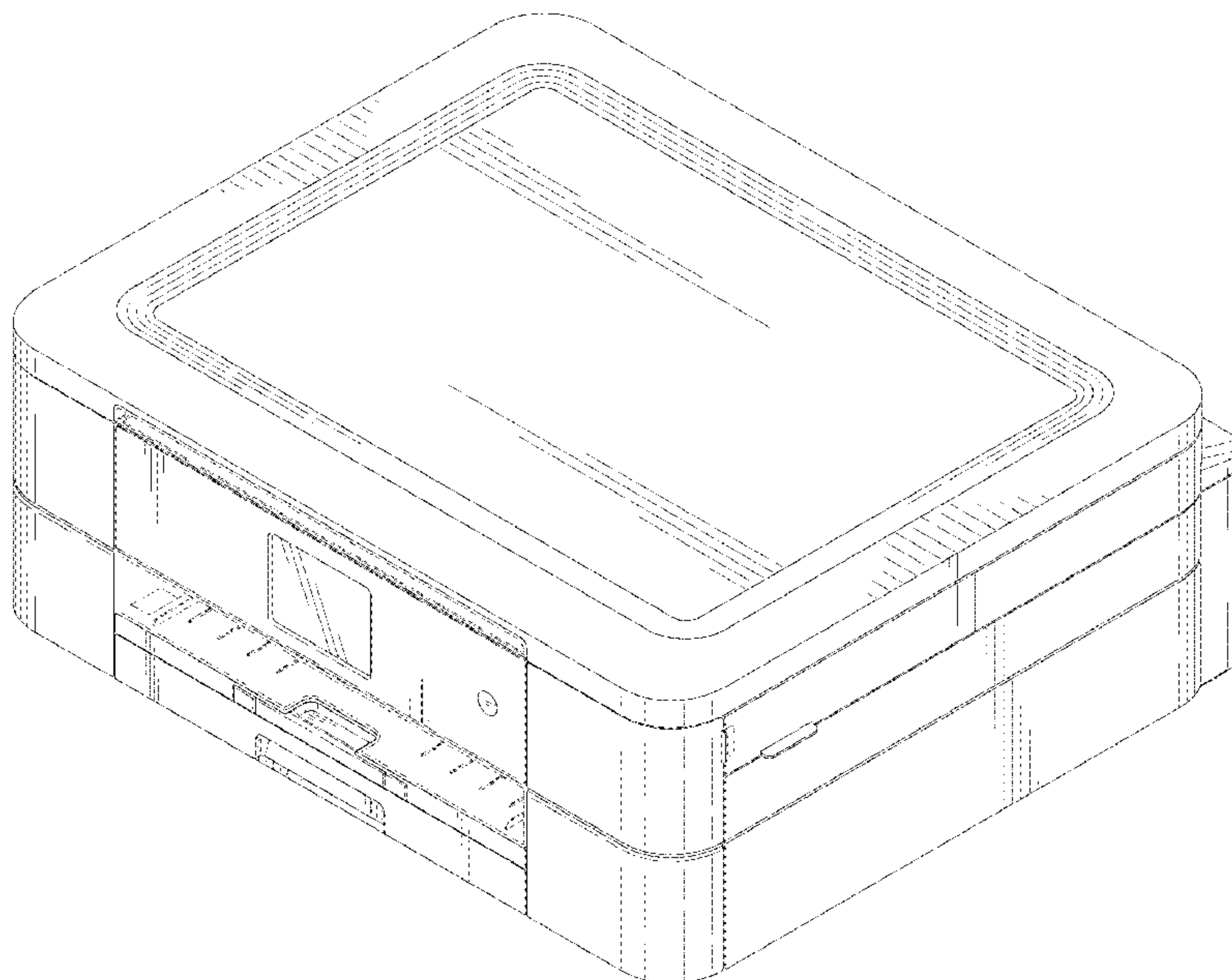
The ornamental design for a printer, as shown and described.

DESCRIPTION

FIG. 1 is a perspective view of a printer;
FIG. 2 is a front view thereof;
FIG. 3 is a top view thereof;
FIG. 4 is a right-side view thereof;
FIG. 5 is a left-side view thereof;
FIG. 6 is a rear view thereof
FIG. 7 is a bottom view thereof; and,
FIG. 8 is a cross-sectional view of FIG. 3 as indicated by
FIG. 4.

The broken lines depict environmental subject matter only
and form no part of the claimed design.

1 Claim, 7 Drawing Sheets



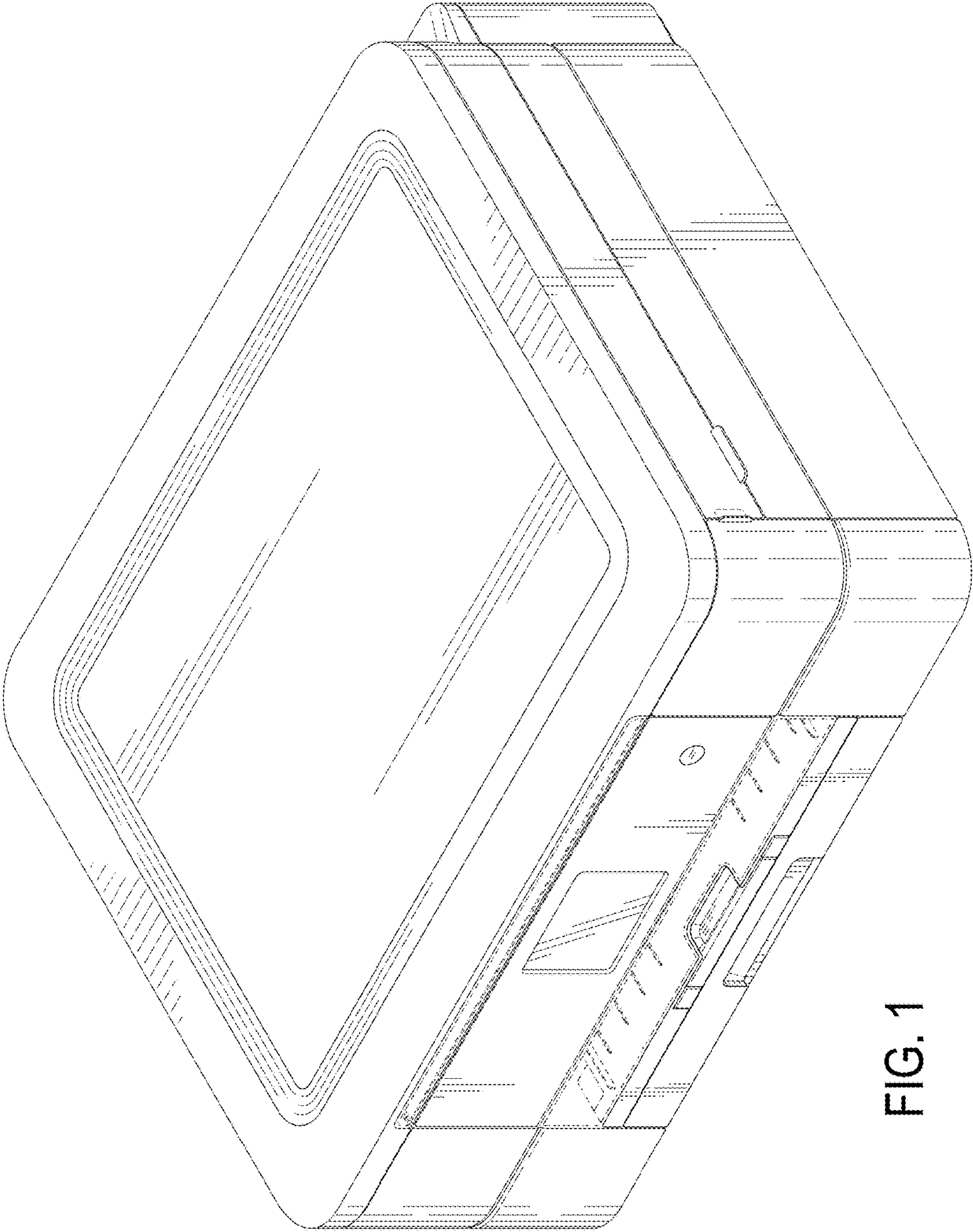


FIG. 1

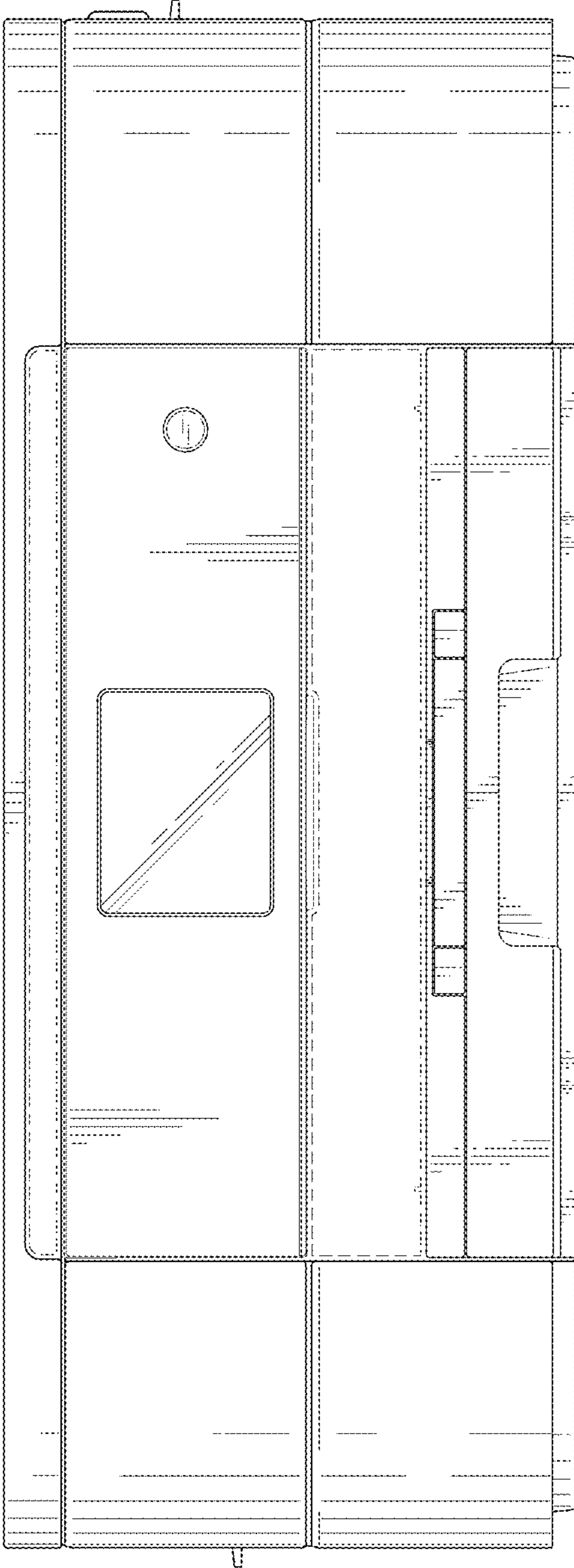


FIG. 2

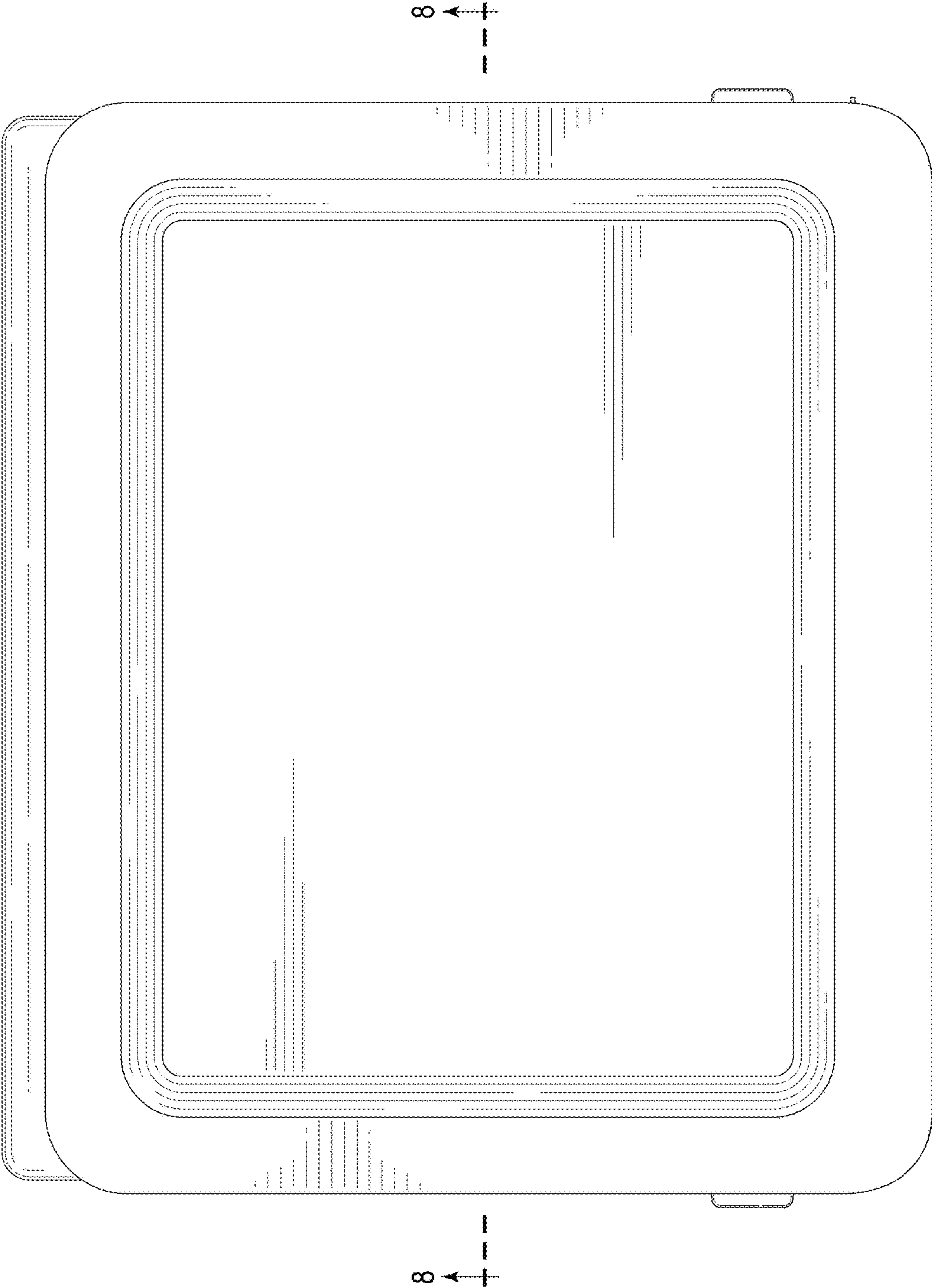


FIG. 3

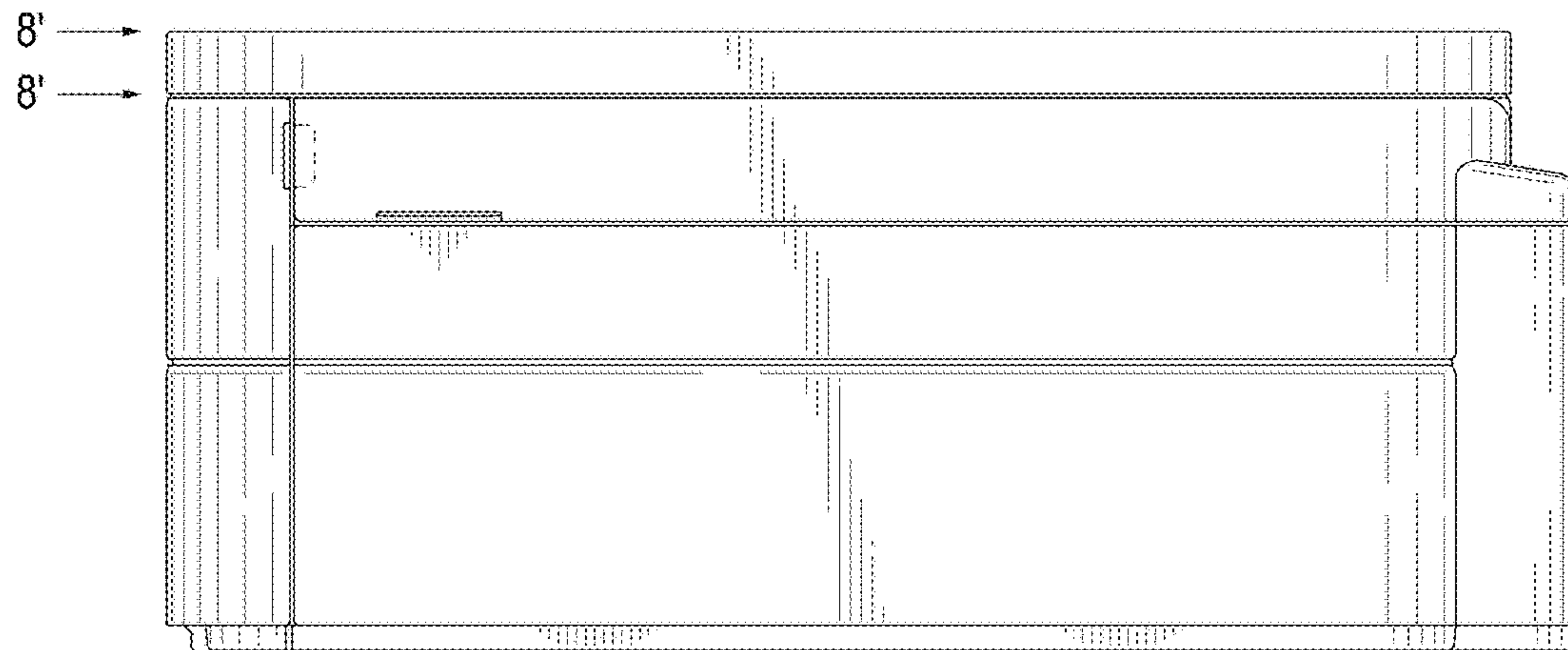


FIG. 4

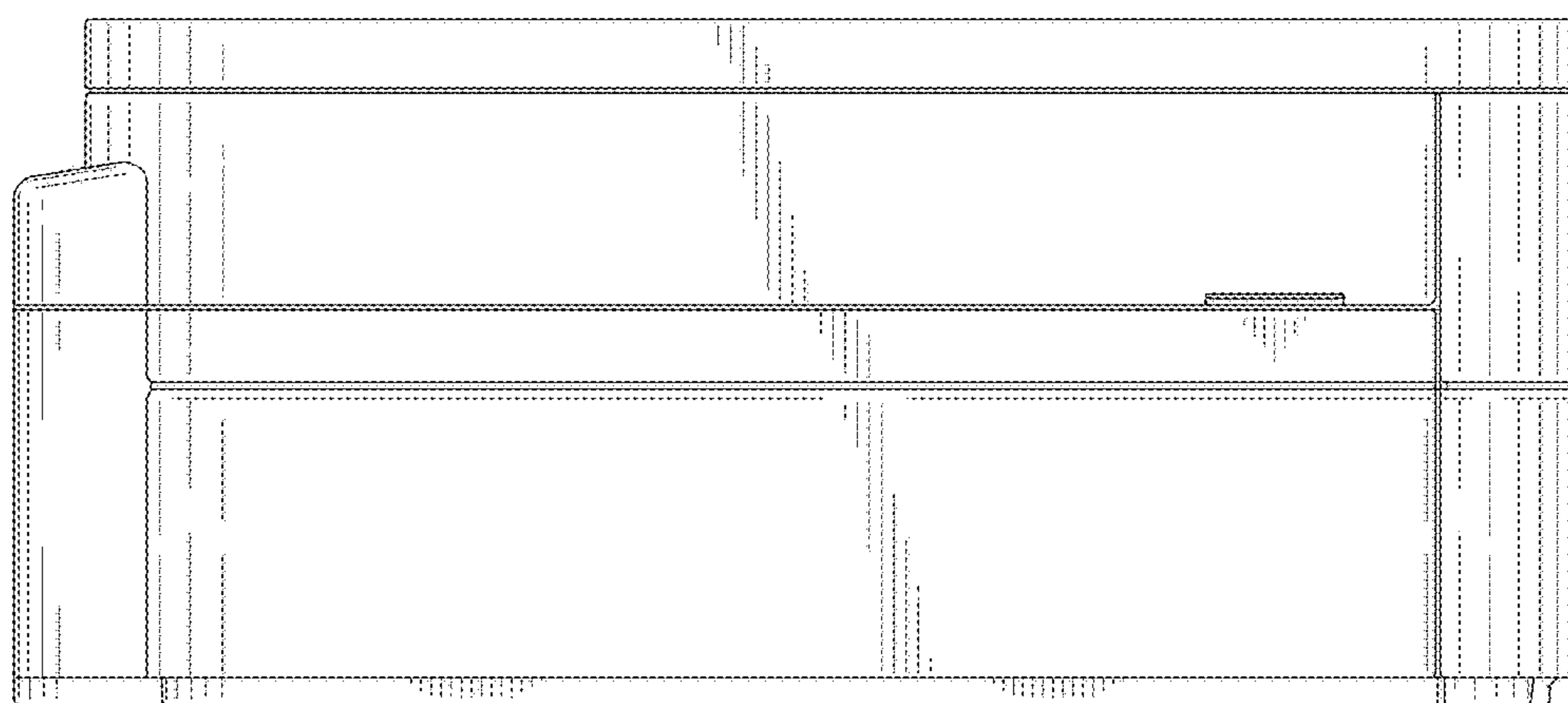


FIG. 5

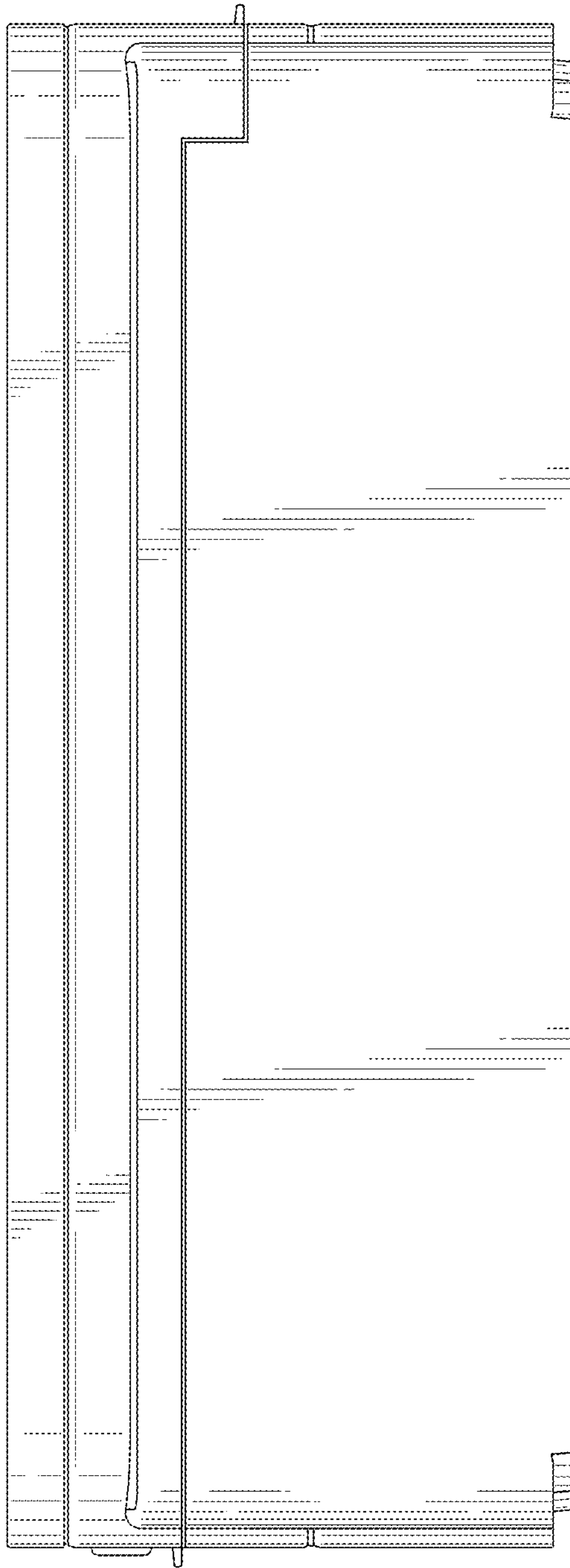


FIG. 6

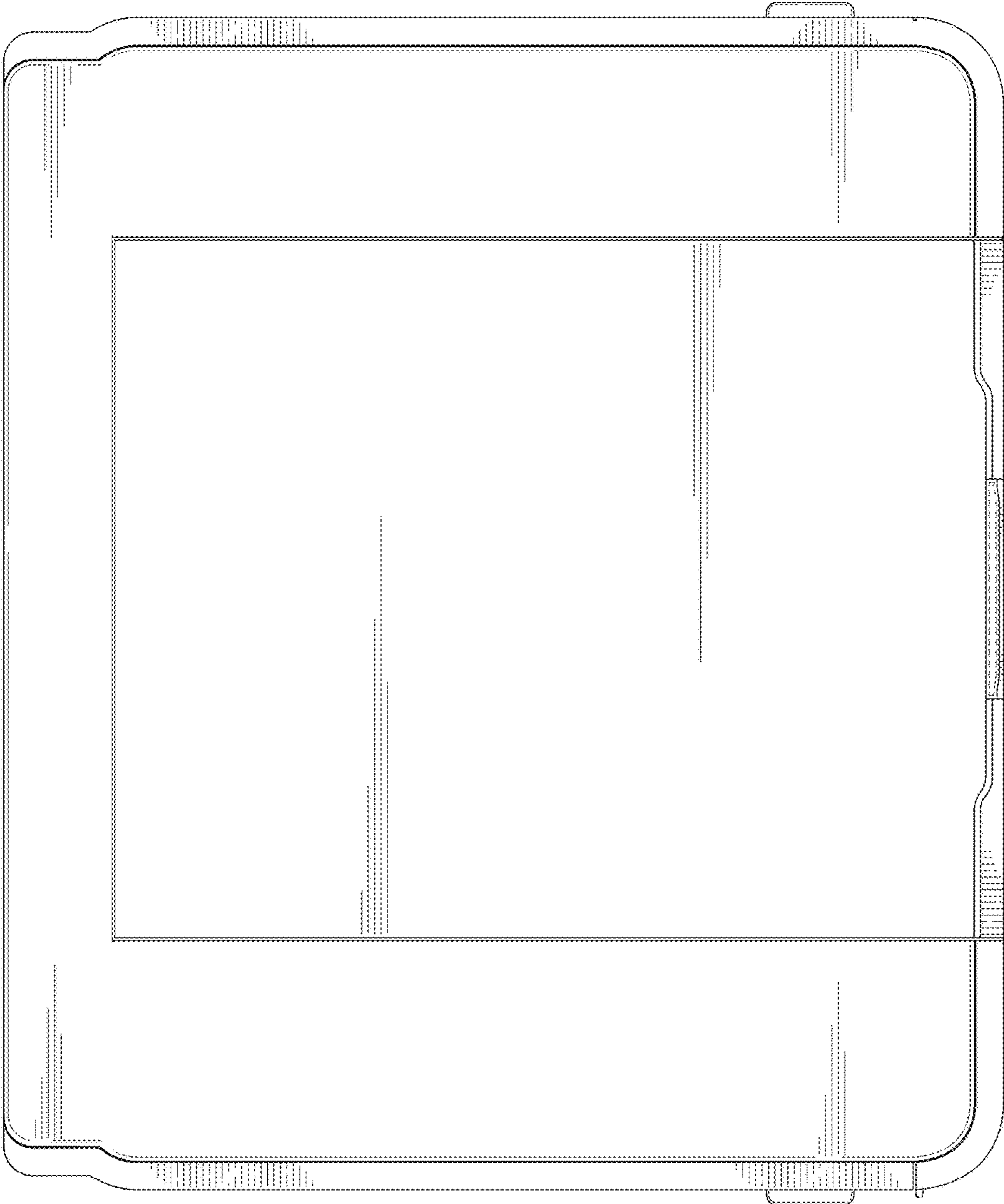


FIG. 7



FIG. 8