



US00D815678S

(12) **United States Design Patent** (10) **Patent No.:** **US D815,678 S**  
**Sakai** (45) **Date of Patent:** **\*\* Apr. 17, 2018**

(54) **LENS FOR CAMERA**

FOREIGN PATENT DOCUMENTS

(71) Applicant: **FUJIFILM Corporation**, Tokyo (JP)

EM 003367309-0001 \* 9/2016  
EM 003367309-0002 \* 9/2016

(72) Inventor: **Hiroyuki Sakai**, Saitama (JP)

(73) Assignee: **FUJIFILM Corporation**, Tokyo (JP)

OTHER PUBLICATIONS

(\*\*) Term: **15 Years**

Fujifilm Introduces FUJINON HF-12M Series, announced Mar. 15, 2016 [online], [site visited Nov. 18, 2017], Available from Internet URL: <<http://www.fujifilm.com/news/n160315.html>>.\*

(21) Appl. No.: **29/577,116**

(Continued)

(22) Filed: **Sep. 9, 2016**

*Primary Examiner* — Barbara Fox  
*Assistant Examiner* — Mary C Ramirez

(30) **Foreign Application Priority Data**

Mar. 10, 2016 (JP) ..... 2016-005298  
Mar. 10, 2016 (JP) ..... 2016-005299

(74) *Attorney, Agent, or Firm* — Birch, Stewart, Kolasch & Birch, LLP

(51) **LOC (11) Cl.** ..... **16-05**

(57) **CLAIM**

(52) **U.S. Cl.**

The ornamental design for a lens for camera, as shown and described.

USPC ..... **D16/219**

**DESCRIPTION**

(58) **Field of Classification Search**

USPC ..... D16/200–220, 239, 235, 242, 250, 310,  
D16/136; D14/251, 138 C, 302, 129,  
D14/130, 496; D26/28, 36, 37, 46, 39;  
D29/104; D10/104.1, 50, 65, 74  
CPC ... G02B 7/02; G02B 7/04; G02B 7/14; G03B  
17/00; G03B 17/14; G03B 9/08; H04N  
5/2252; H04N 5/2253; H04N 5/2254;  
H04N 7/00; F16M 13/00

The file of this patent contains at least one drawing executed in color. Copies of this patent with color drawings will be provided by the United States Patent and Trademark Office upon request and payment of the necessary fee.

See application file for complete search history.

FIG. 1 is a front view of a lens for camera showing a first embodiment of a lens for camera, the rear view being an identical image, the right side view being an identical image, and the left side view being an identical image;

(56) **References Cited**

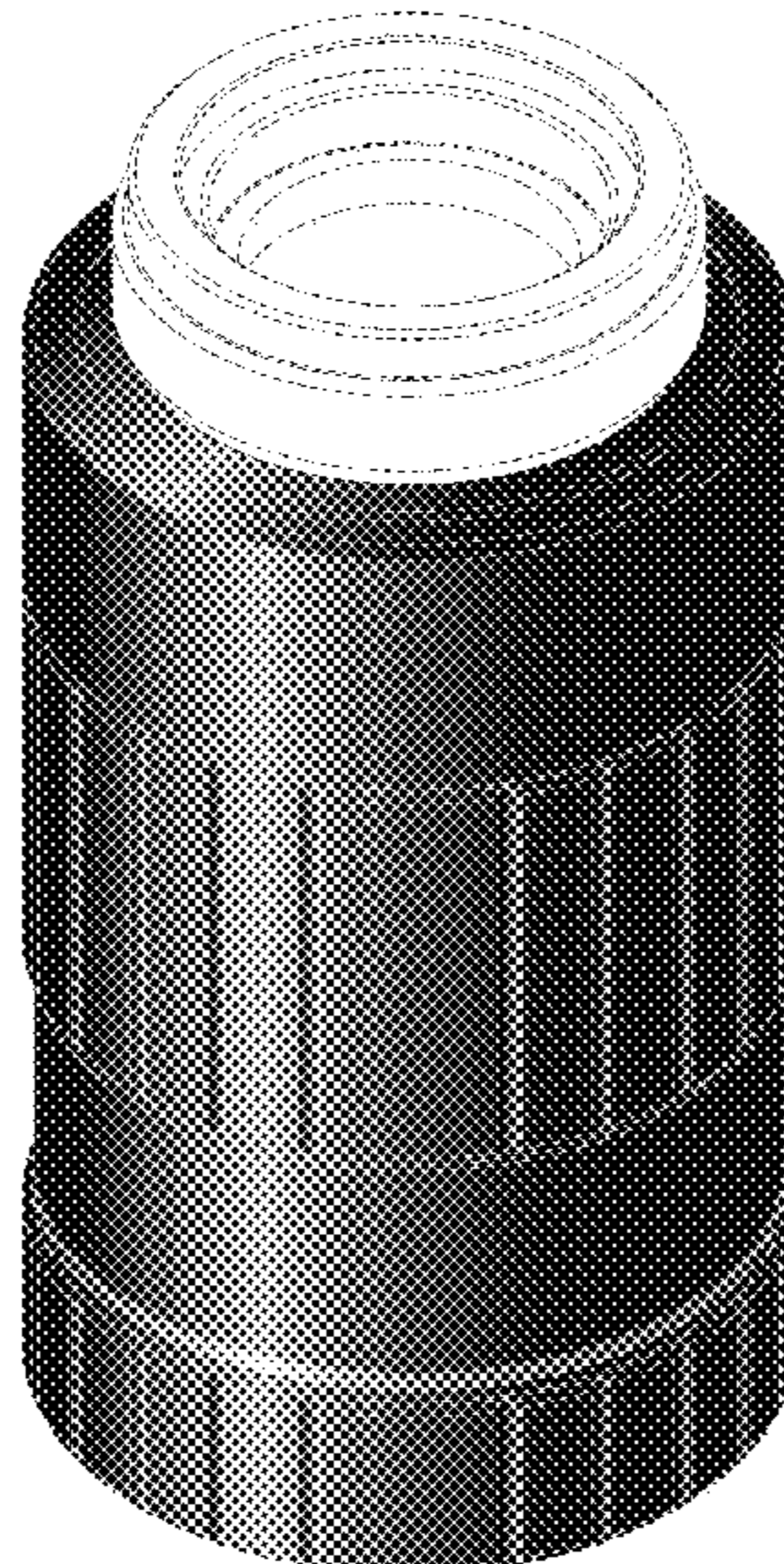
U.S. PATENT DOCUMENTS

D248,766 S \* 8/1978 Arai ..... D16/134  
D362,007 S \* 9/1995 Takahashi ..... D16/134  
D412,922 S \* 8/1999 Sekine ..... D16/134  
D425,088 S \* 5/2000 Watanabe ..... D16/134  
D433,044 S \* 10/2000 Nagaoka ..... D16/134

FIG. 2 is a plan view thereof;  
FIG. 3 is a bottom view thereof;  
FIG. 4 is a perspective view from front and plan view directions thereof; and,  
FIG. 5 is a perspective view from front and bottom directions thereof.

The broken lines shown in the drawings depict portions of the lens for camera that form no part of the claimed design.

**1 Claim, 4 Drawing Sheets**  
**(4 of 4 Drawing Sheet(s) Filed in Color)**



(56)

References Cited

U.S. PATENT DOCUMENTS

6,377,408	B1 *	4/2002	Shinohara .....	G02B 7/04 174/254
9,350,907	B2 *	5/2016	Matsuura .....	G02B 7/102
D768,224	S *	10/2016	Kim .....	D16/219
D781,949	S *	3/2017	Lee .....	D16/219
D783,078	S *	4/2017	Kim .....	D16/219
9,709,875	B2 *	7/2017	Awazu .....	G03B 17/14
9,791,660	B2 *	10/2017	Takeshita .....	G02B 7/04
2003/0128973	A1 *	7/2003	Shinohara .....	G02B 7/04 396/25
2009/0279192	A1 *	11/2009	Harada .....	G02B 7/04 359/825
2010/0111517	A1 *	5/2010	Yasuda .....	G03B 17/00 396/532
2014/0268365	A1 *	9/2014	Nishio .....	G02B 15/173 359/683
2016/0088223	A1 *	3/2016	Okazaki .....	H04N 5/23209 348/372
2017/0184810	A1 *	6/2017	Shinano .....	G02B 7/10
2017/0235090	A1 *	8/2017	Takeshita .....	G02B 7/08 348/345

OTHER PUBLICATIONS

FUJINON HF-XA series, announced Jun. 24, 2015 [online], [site visited Nov. 18, 2017], Available from Internet URL: <<http://www.fujifilm.com/news/n150624.html>>.\*

HF-HA Lenses, announced 2016 [online], [site visited Nov. 18, 2017], Available from Internet URL: <[http://www.fujifilmusa.com/products/optical\\_devices/machine-vision/2-3-5/hf125sa-1/#specifications](http://www.fujifilmusa.com/products/optical_devices/machine-vision/2-3-5/hf125sa-1/#specifications)>.\*

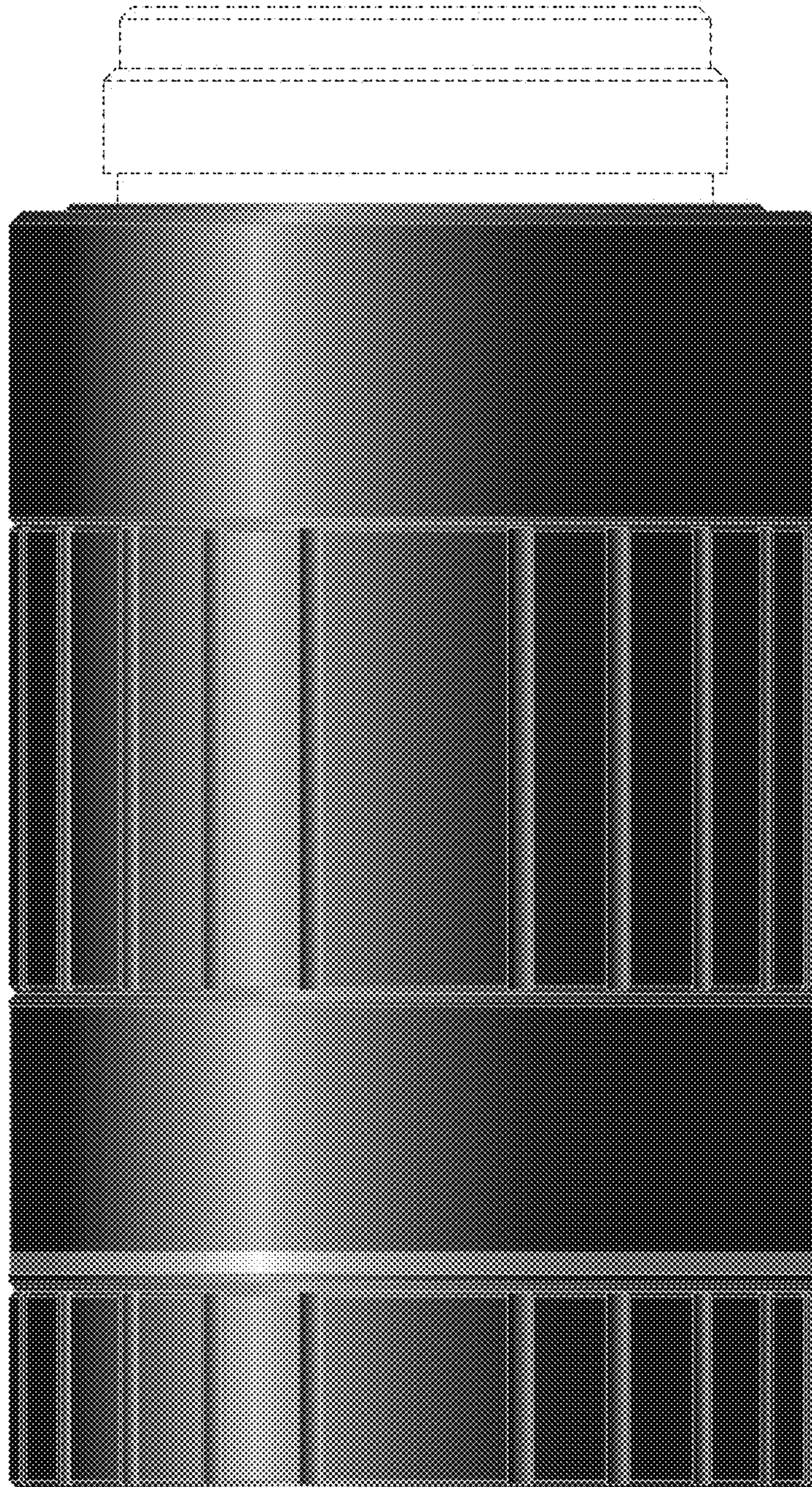
FUJINON HF12XA, announced Jun. 28, 2017 [online], [site visited Nov. 18, 2017], Available from Internet URL: <<https://web.archive.org/web/20170628130654/http://www.rmaelectronics.com/fujinon-hf12xa-1-2-3-12mm-f1-6-manual-iris-c-mount-lens-3-megapixel-rated/>>.\*

Biotar 58-f2, announced Oct. 12, 2017 [online], [site visited Nov. 18, 2017], Available from Internet URL: <<https://www.indiegogo.com/projects/world-record-17-aperture-blades-lens-biotar-58-f2-camera-photography#/>>>.\*

\* cited by examiner

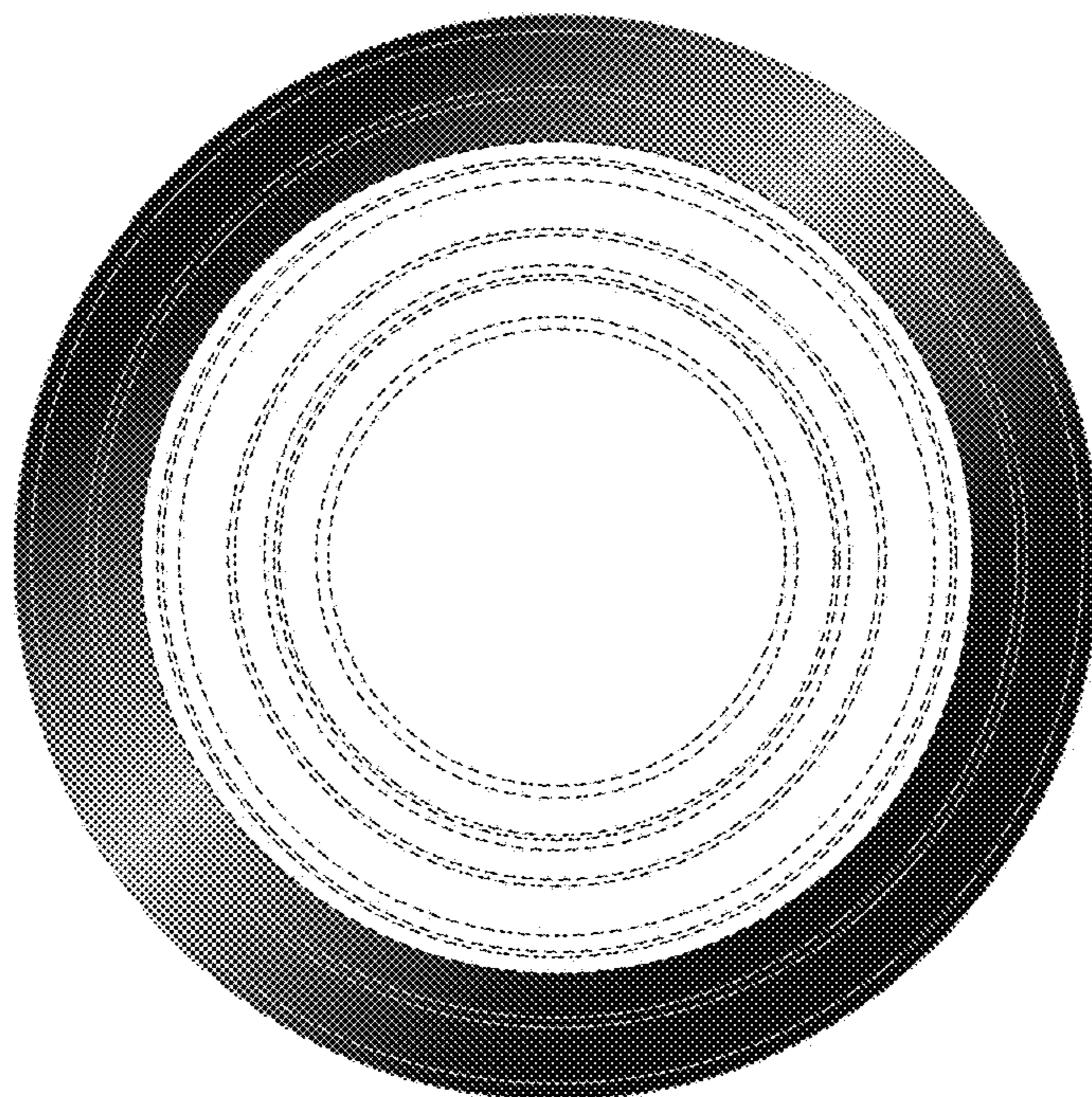


FIG. 1

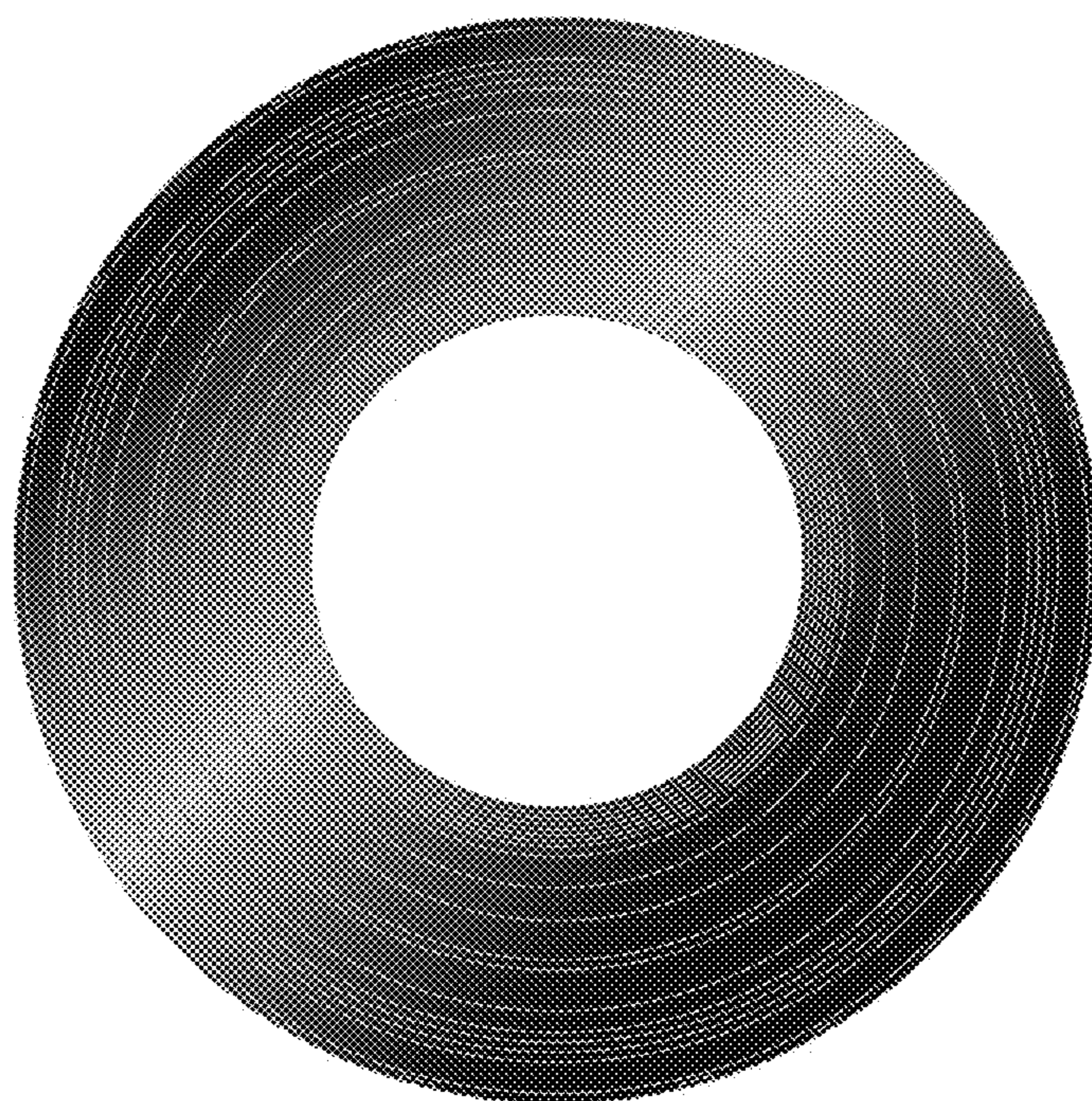




**FIG. 2**

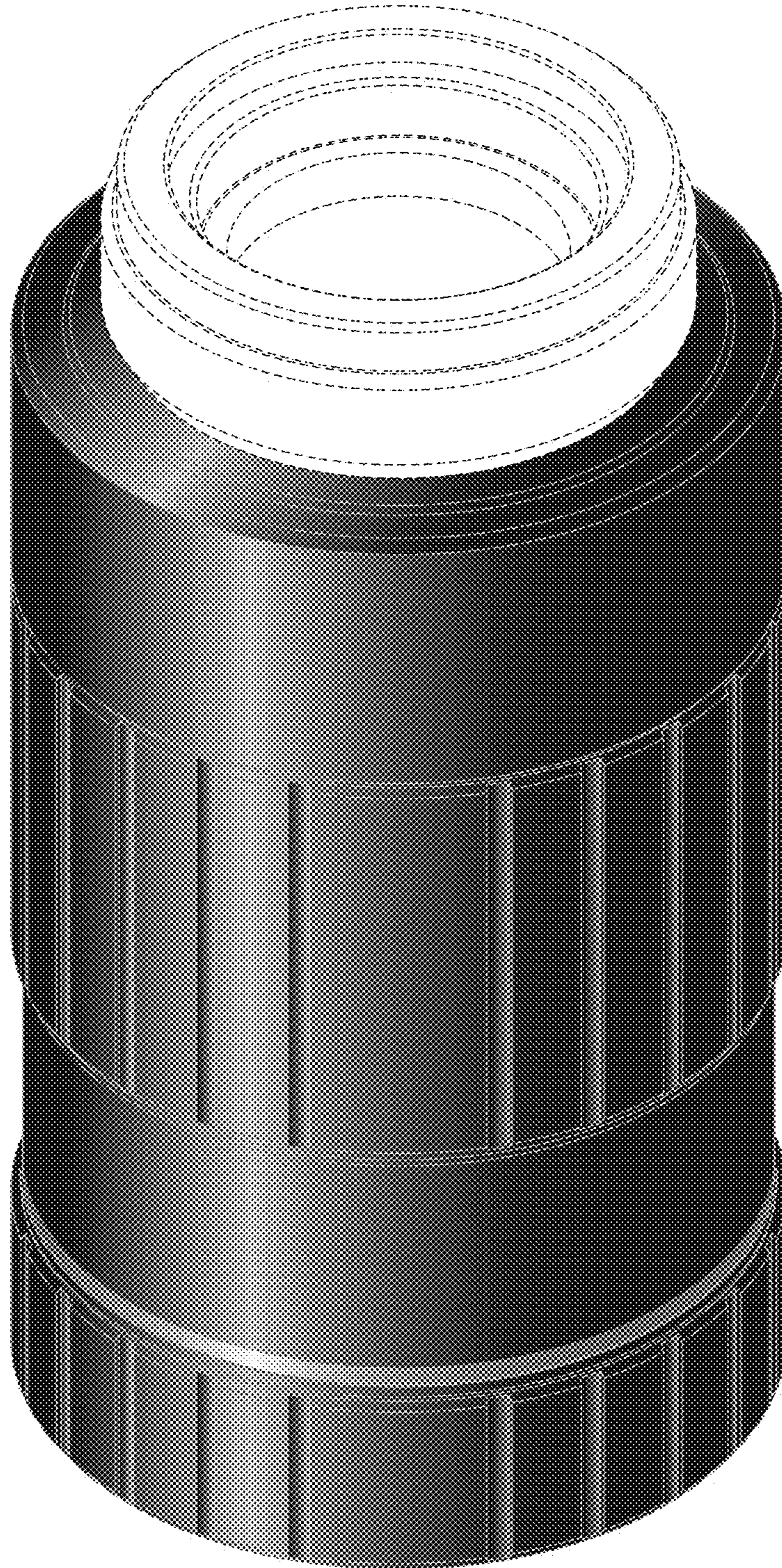


**FIG. 3**





**FIG. 4**





**FIG. 5**

