



US00D815676S

(12) **United States Design Patent** (10) **Patent No.:** **US D815,676 S**
Perry (45) **Date of Patent:** **** Apr. 17, 2018**

(54) **TELESCOPIC LENS HOUSING**
(71) Applicant: **Designs for Vision, Inc.**, Ronkonkomo, NY (US)
(72) Inventor: **Gordon R. Perry**, New York, NY (US)
(73) Assignee: **Designs for Vision, Inc.**, Bohemia, NY (US)
(**) Term: **15 Years**
(21) Appl. No.: **29/605,441**
(22) Filed: **May 25, 2017**

(51) **LOC (11) Cl.** **16-06**
(52) **U.S. Cl.**
USPC **D16/132**
(58) **Field of Classification Search**
USPC D16/130-133, 200, 202-203, 218, 219;
D7/304-306; D9/545, 549, 575, 652;
D21/403, 514; 348/143, 148, 151,
348/373-376; 359/425, 426, 429-430,
359/826-828; 396/419, 427, 535-541
CPC G03B 15/03; G03B 17/02; G03B 17/04;
G03B 17/56; G03B 19/04; H04N 5/2251;
H04N 5/2252; H04N 5/2253; H04N
5/2254; H04N 2101/00
See application file for complete search history.

(56) **References Cited**
U.S. PATENT DOCUMENTS
D300,039 S * 2/1989 Huckenbeck D16/132
D406,064 S * 2/1999 Vitor Alexandre D9/545
D529,528 S * 10/2006 Ross, Jr. D16/200
D531,048 S * 10/2006 Krause D9/652
D550,263 S * 9/2007 Zhou D16/132

D602,777 S * 10/2009 Jalet D9/434
D694,797 S * 12/2013 Parker D16/202
D695,327 S * 12/2013 Hoelbl D16/132
D731,571 S * 6/2015 Imamizu D16/132
D733,204 S * 6/2015 Imamizu D16/132
D741,388 S * 10/2015 Register D16/202
D748,708 S * 2/2016 Daniel D16/202
D809,873 S * 2/2018 Ho D7/624.2

* cited by examiner
Primary Examiner — Philip S Hyder
Assistant Examiner — Ramzi Almatrahi
(74) *Attorney, Agent, or Firm* — Office of Carl Giordano, PC

(57) **CLAIM**
The ornamental design for a telescopic lens housing, as shown and described.

DESCRIPTION
FIG. 1 is a perspective view of a telescopic lens housing, showing an embodiment of the new design.
FIG. 2 is a rear elevation view of the telescopic lens housing of FIG. 1;
FIG. 3 is a front elevation view of the telescopic lens housing of FIG. 1;
FIG. 4 is a top plan view of the telescopic lens housing of FIG. 1;
FIG. 5 is a bottom plan view of the telescopic lens housing of FIG. 1;
FIG. 6 is a left side elevation view of the telescopic lens housing of FIG. 1; and,
FIG. 7 is a right side elevation view of the telescopic lens housing of FIG. 1.

1 Claim, 4 Drawing Sheets

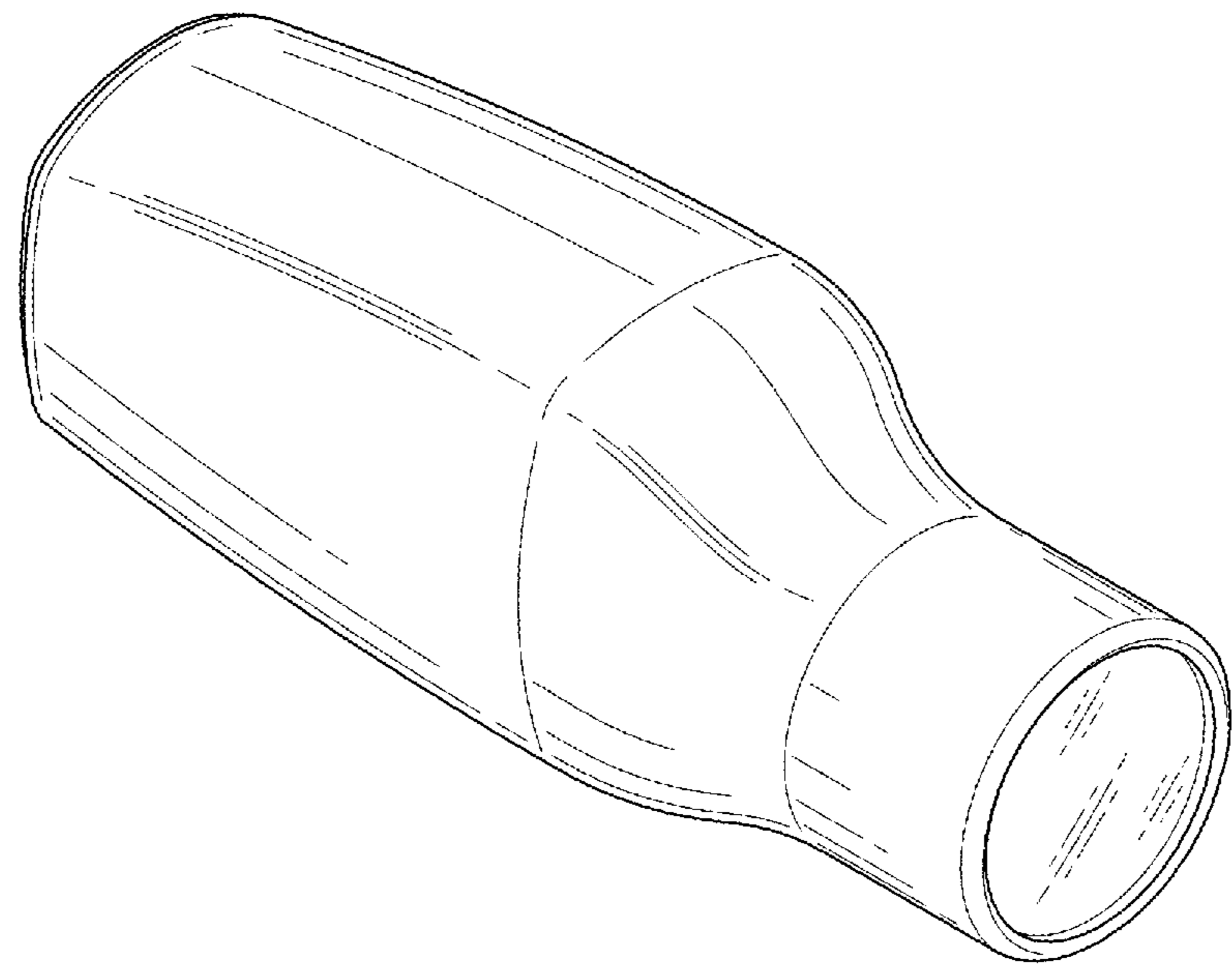


FIG. 1



FIG. 2

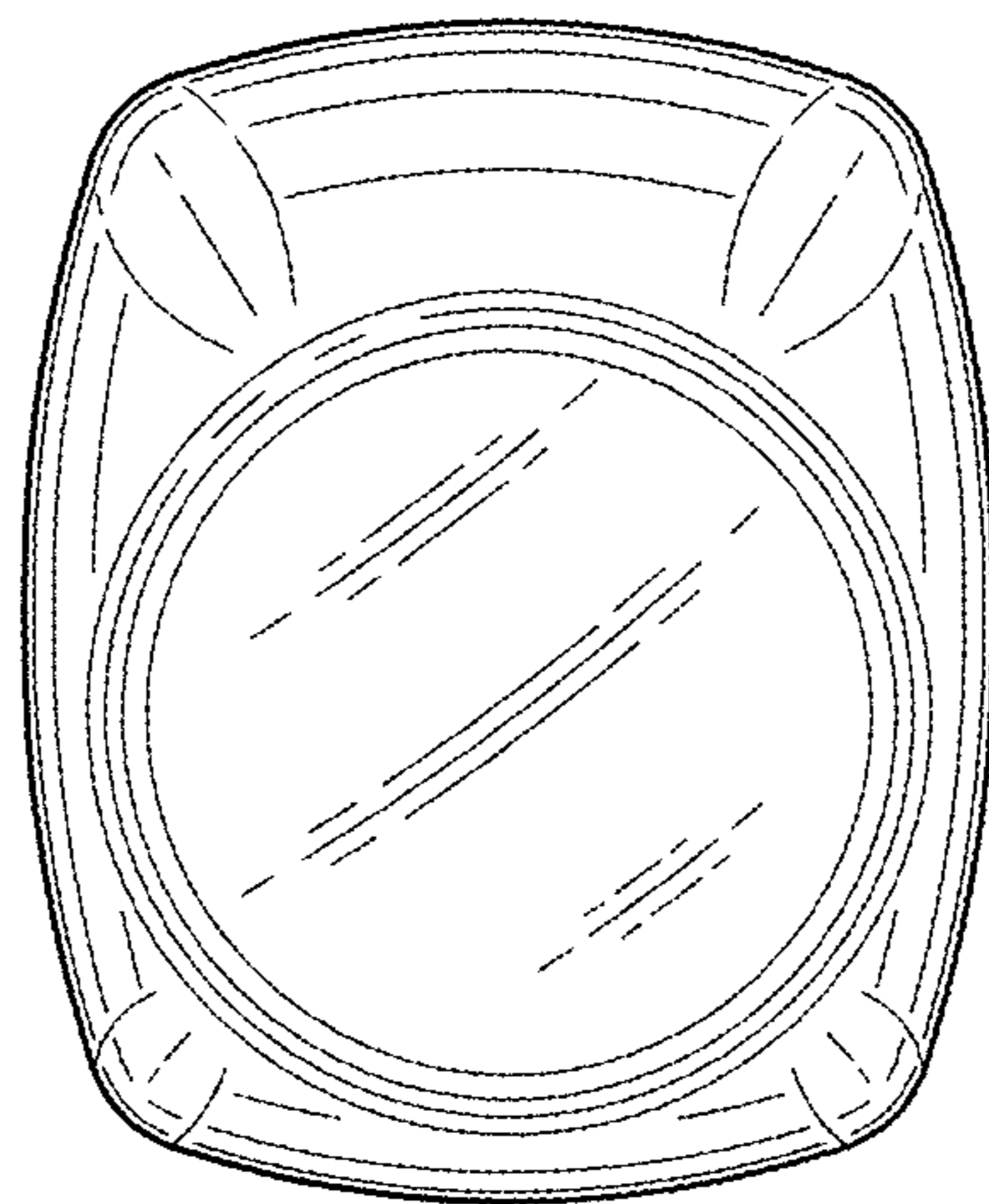


FIG. 3

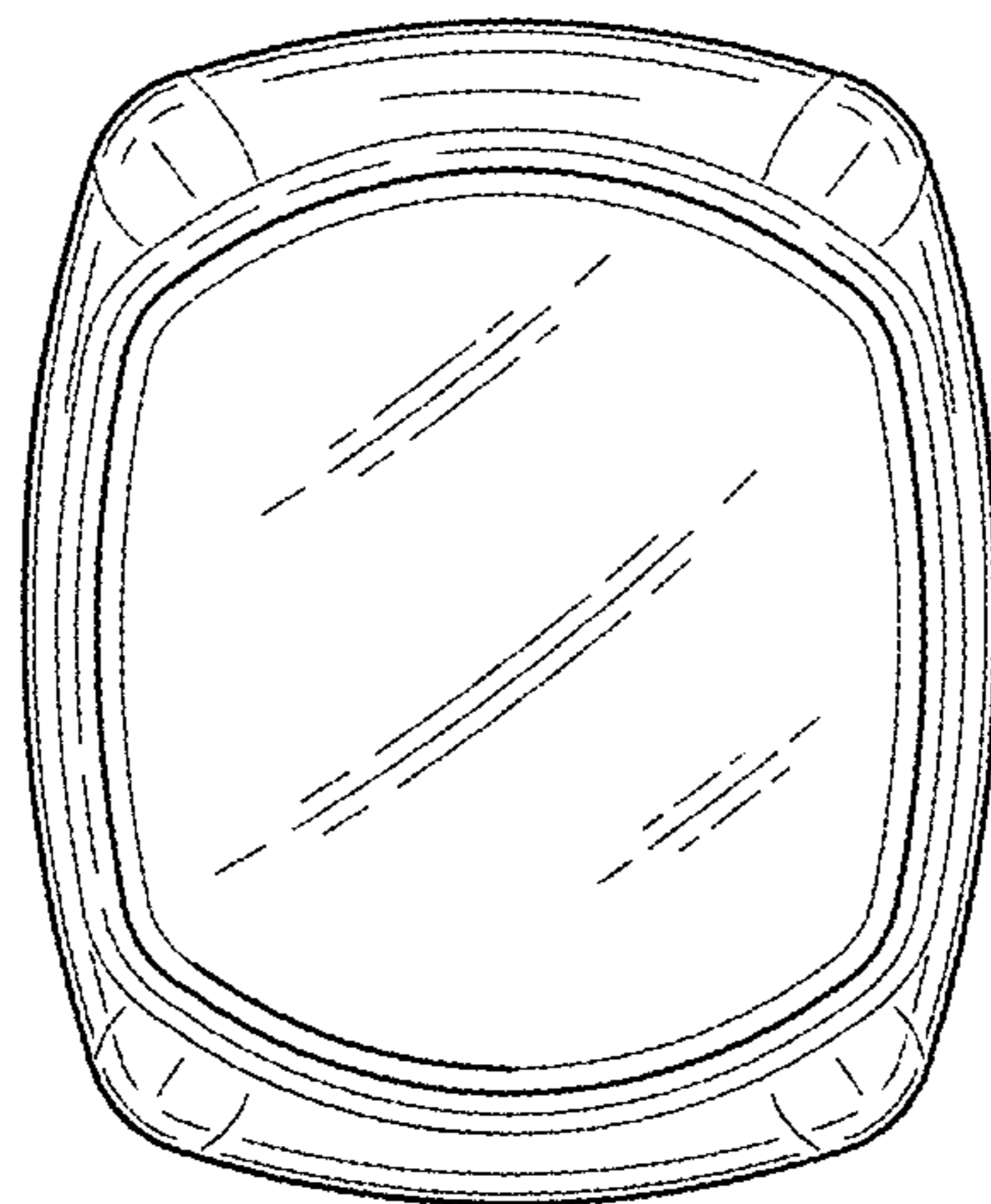


FIG. 4

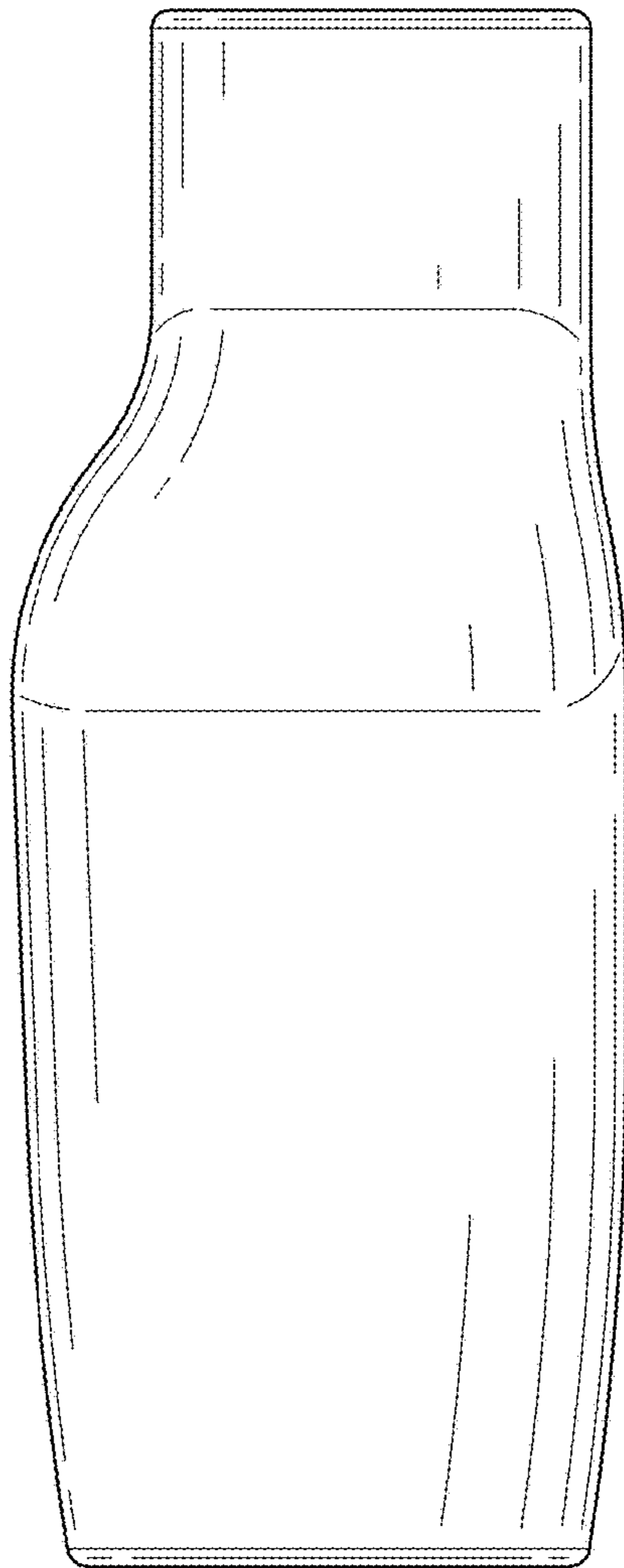


FIG. 5

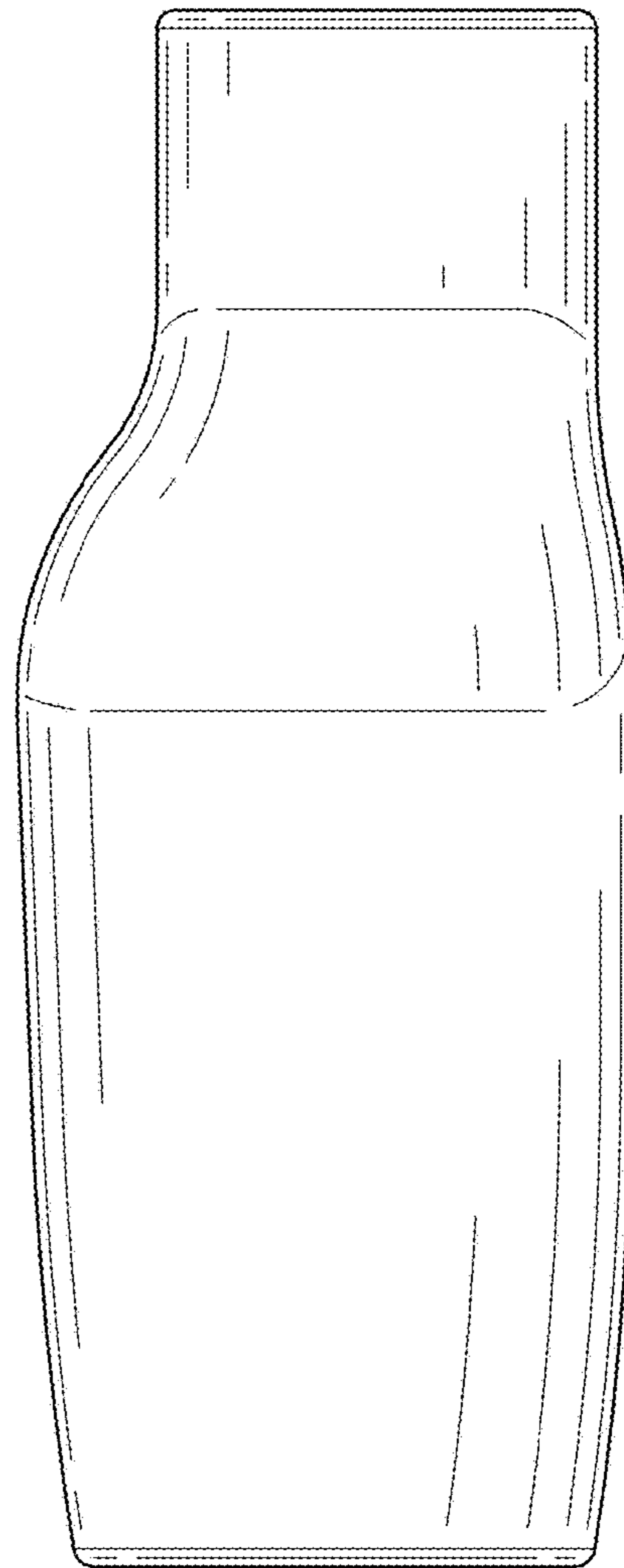


FIG. 6

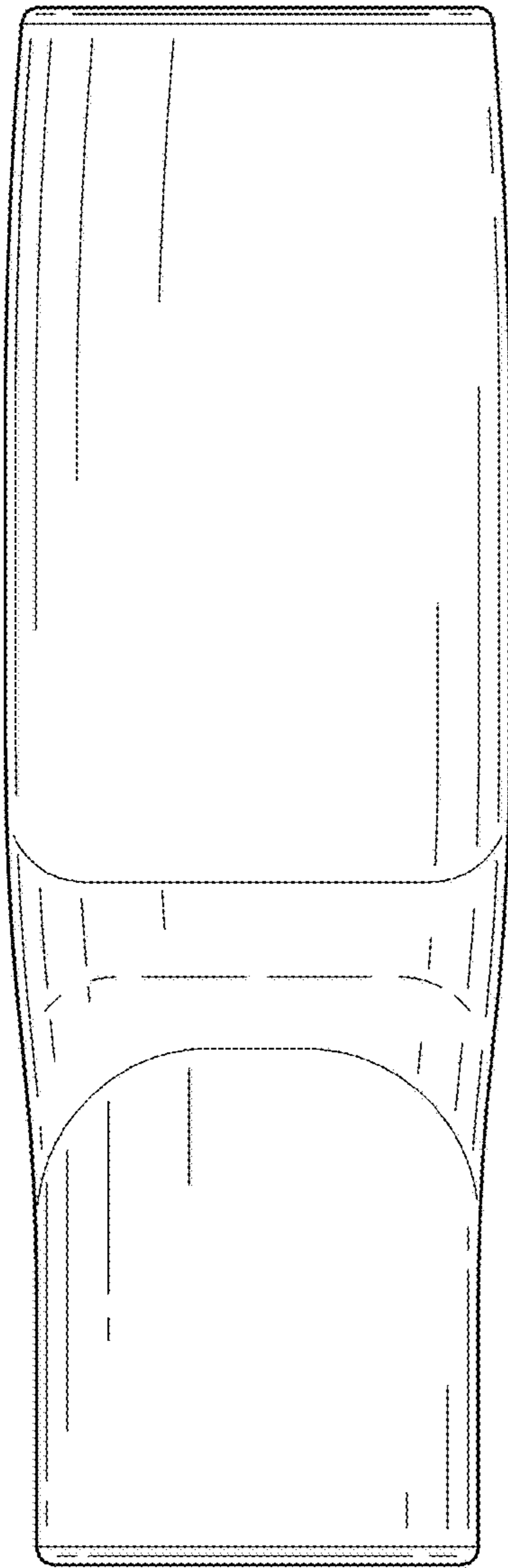


FIG. 7

