



US00D815675S

(12) **United States Design Patent**
Karol et al.

(10) **Patent No.:** **US D815,675 S**
(45) **Date of Patent:** **** Apr. 17, 2018**

(54) **GEAR**
(71) Applicant: **DEKA Products Limited Partnership**,
Manchester, NH (US)
(72) Inventors: **Daniel S. Karol**, Southborough, MA
(US); **William D. Hunt**, Gilmanton,
NH (US); **Jason M. Overson**,
Manchester, NH (US)

D253,641 S 12/1979 Tritchka
4,545,230 A 10/1985 Jungesjo
4,630,498 A 12/1986 Santi
5,137,500 A 8/1992 Lhotak
D330,052 S * 10/1992 Klitsner D21/488
5,194,031 A * 3/1993 Sahler A63H 31/00
446/103
5,251,711 A 10/1993 Meyer
(Continued)

(73) Assignee: **DEKA PRODUCTS LIMITED PARTNERSHIP**, Manchester, NH (US)
(**) Term: **15 Years**

FOREIGN PATENT DOCUMENTS

EP 1669254 A1 6/2006
JP 2002021981 A 1/2002
(Continued)

(21) Appl. No.: **29/572,417**
(22) Filed: **Jul. 27, 2016**
(51) **LOC (11) Cl.** **15-99**
(52) **U.S. Cl.**
USPC **D15/148**
(58) **Field of Classification Search**
USPC D15/10-33, 148, 149; D12/42, 43, 48,
D12/123; D18/43, 12, 36, 40, 44, 56;
D21/488, 108, 124, 128, 132, 134, 141,
D21/561, 563; 446/103, 104, 121, 128
CPC . F16H 1/16; F16H 48/08; F16H 48/40; F16H
1/385; F16H 1/423; F16H 1/426; G03G
2221/1657; G03G 2221/1884; G03G
21/18; G03G 21/1857; G03G 15/00;
G03G 15/575; F16D 3/00; F16D 3/06
See application file for complete search history.

OTHER PUBLICATIONS

Camshaft Sprocket Chain Drive, posted on dlbensinger.com, no posted date given, no production date given, [online], [site visited May 11, 2017], Available from Internet , <URL: https://www.dlbensinger.com/product_info.php?manufacturers_id=10&products_id=796>.

(Continued)

Primary Examiner — Mark Goodwin
(74) *Attorney, Agent, or Firm* — Kathleen Chapman

(57) **CLAIM**

The ornamental design of a gear, as shown and described.

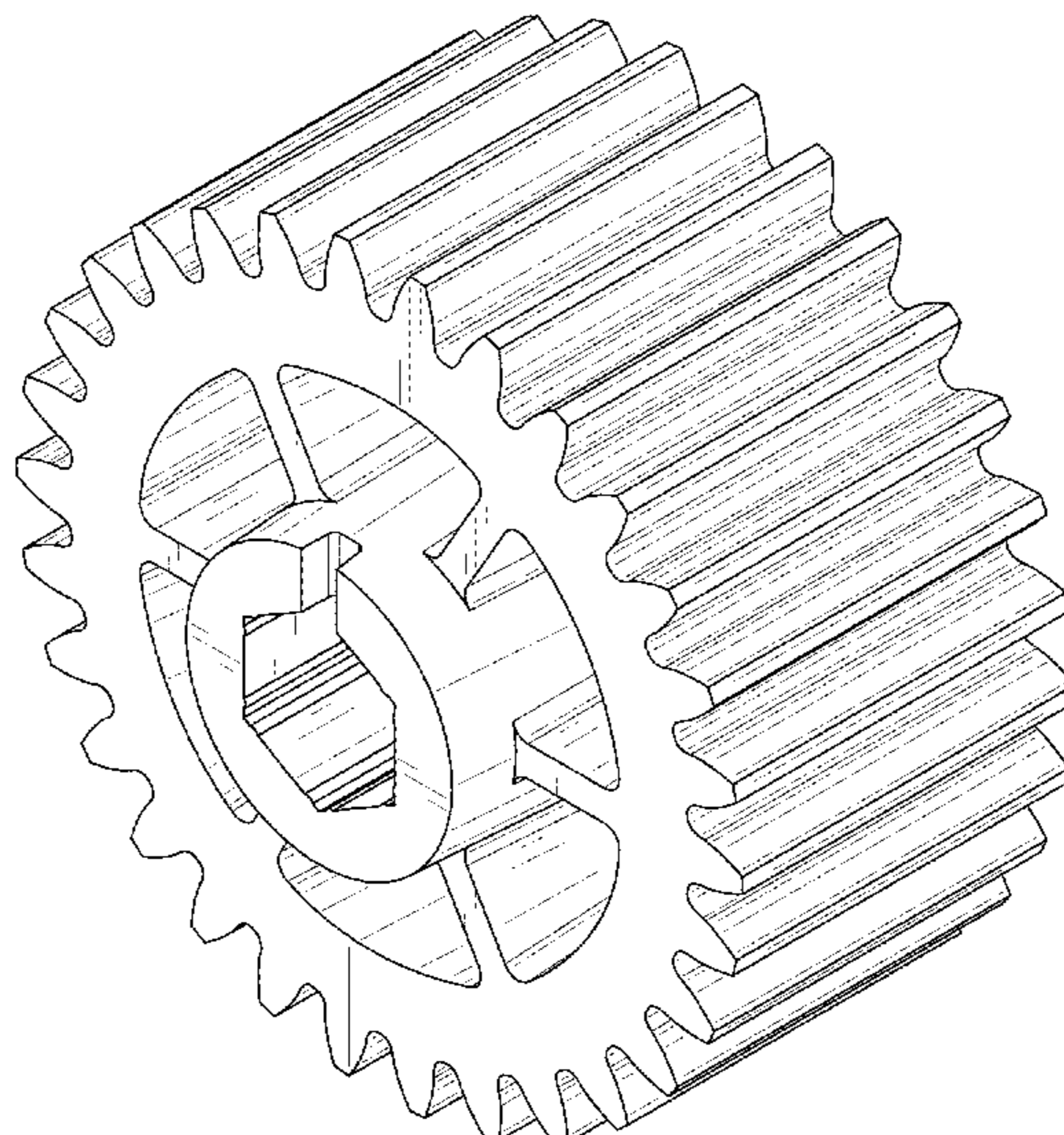
DESCRIPTION

FIG. 1 is a front, top, right side perspective view of the gear, showing our new design;
FIG. 2 is a front side elevational view thereof;
FIG. 3 is a rear side elevational view thereof;
FIG. 4 is a left side elevational view thereof;
FIG. 5 is a right side elevational view thereof;
FIG. 6 is a top plan view thereof; and,
FIG. 7 is a bottom plan view thereof.

1 Claim, 7 Drawing Sheets

(56) **References Cited**
U.S. PATENT DOCUMENTS

1,385,144 A 7/1921 Myers
2,791,911 A 5/1957 Wasko
2,811,819 A 11/1957 Heth
2,859,634 A 11/1958 Gustave
3,176,597 A 4/1965 Seaman
3,490,360 A 1/1970 Reynolds



(56)

References Cited

U.S. PATENT DOCUMENTS

D349,736 S * 8/1994 Hatting D21/561
 D364,199 S * 11/1995 Schmidt D21/488
 D366,073 S * 1/1996 Schmidt D21/488
 D388,475 S * 12/1997 Glickman D21/488
 D395,469 S * 6/1998 Glickman D21/484
 D396,436 S 7/1998 Liska
 D399,222 S 10/1998 Chang
 D402,995 S 12/1998 Hakamata
 D402,996 S 12/1998 Watanabe
 5,926,673 A * 7/1999 Foster F16D 1/10
 399/117
 D434,351 S 11/2000 Takamori
 D435,001 S 12/2000 Takamori
 D436,561 S 1/2001 Louden
 D442,200 S 5/2001 Koch
 D443,880 S 6/2001 Iida
 6,283,076 B1 9/2001 Simpson
 D451,526 S 12/2001 Lee
 D453,214 S * 1/2002 Komatsubara D23/354
 D470,861 S 2/2003 Kohno
 D470,862 S 2/2003 Kohno
 D472,843 S 4/2003 Marquez-Pickering
 D473,902 S 4/2003 Panno
 D482,847 S * 12/2003 Lee D2/869
 6,722,221 B2 4/2004 Maxwell
 D498,775 S * 11/2004 Hu D15/148
 D498,777 S * 11/2004 Hu D15/148
 D498,778 S * 11/2004 Hu D15/148
 6,910,980 B2 6/2005 Hamilton
 D527,245 S 8/2006 Kelleghan
 D527,738 S * 9/2006 Pearson, Sr. D15/5
 D558,006 S * 12/2007 Tuan Mu D8/21
 D561,793 S 2/2008 Kanemitsu
 7,344,463 B2 3/2008 Reiter
 D585,345 S 1/2009 Maier
 D604,346 S 11/2009 Chiang
 D611,391 S 3/2010 Bourgeois
 D618,720 S * 6/2010 Wasai D18/43
 D618,721 S * 6/2010 Wasai D18/43
 7,914,408 B2 3/2011 Young
 D641,611 S 7/2011 Minayoshi
 D647,118 S 10/2011 Parker
 D667,049 S * 9/2012 Park D18/43
 D668,527 S 10/2012 Noumi
 D670,304 S 11/2012 Shimosaki
 D670,305 S 11/2012 Shimosaki
 D675,130 S 1/2013 Senn
 D677,718 S * 3/2013 Huck F16D 1/101
 D18/43
 D683,099 S 5/2013 Wright
 D696,342 S * 12/2013 Lewis G03G 15/757
 D18/43
 D706,340 S * 6/2014 Lee D18/43
 D728,432 S 5/2015 Lin
 9,033,835 B2 5/2015 Blank
 D738,439 S * 9/2015 Kanbar D21/493
 D750,676 S 3/2016 Brown
 D765,551 S 9/2016 Baker, Jr.
 D774,987 S 12/2016 Miles
 D776,896 S 1/2017 Paitchell
 D779,587 S * 2/2017 Li D18/43
 D779,618 S * 2/2017 Farthing D22/108
 D781,345 S 3/2017 Pratley
 D789,436 S * 6/2017 McCurry D16/134
 D802,037 S * 11/2017 Cordingley D15/148
 D802,039 S * 11/2017 Cordingley D15/148
 2008/0176688 A1 7/2008 Sakura
 2009/0080936 A1 * 3/2009 Parisi G03G 15/757
 399/117

2010/0196047 A1 * 8/2010 Jin G03G 21/186
 399/111
 2012/0045247 A1 * 2/2012 Lewis G03G 15/757
 399/167
 2012/0183331 A1 * 7/2012 Huang G03G 15/757
 399/167

FOREIGN PATENT DOCUMENTS

JP 2007309488 A 11/2007
 WO WO 2007041291 A1 4/2007

OTHER PUBLICATIONS

Sprocket Hub Gear Guard Kit, posted on ebay.com, no posted date given, no production date given, [online], [site visited May 11, 2017], Available from Internet, <URL: <http://www.ebay.com/itm/191673594110?rmvSB=true>>.
 Gearbox Front Sprocket, posted on ebay.co.uk, posted Nov. 29, 2016, no production date given, [online], [site visited May 11, 2017], Available from Internet, <URL: <http://www.ebay.co.uk/itm/NEW-Tag-Metals-MX-Honda-CR250R-88-07-CR500R-CRF450-Gearbox-Front-Sprocket-13T-/252592369100>>.
 United 22mm Spline Drive Metro Sprocket, posted on acebmx.com, posted Sep. 17, 2013, no production date given, [online], [site visited May 11, 2017], Available from Internet, <URL: <http://www.acebmx.com/sprockets-bmx-c-60/united-22mm-spline-drive-metro-sprocket-p-3633.html>>.
 Tsubaki Sprockets, posted on frasers.com, no posted date given, no production date given [online], [site visited May 11, 2017], Available from Internet, <URL: <http://www.frasers.com/supplier/tsubaki-of-canada-ltd-16573675102/product-category/chain-sprockets-10647377260>>.
 Roller chain sprockets and platewheels, posted fbchain.com, no posted date given, no production date given, [online], [site visited May 11, 2017], Available from Internet, <URL: <http://www.fbchain.com/sprockets>>.
 Martin Roller Chain Sprocket, posted on amazon.com, earliest review posted Nov. 18, 2012, no production date given, [online], [site visited May 11, 2017], Available from Internet, <URL: https://www.amazon.com/Martin-Roller-Sprocket-Bored-Single/product-reviews/B004JXWH8C/ref=cm_cr_getr_d_paging_btm_3?ie=UTF8&reviewerType=avp_only_reviews&sortBy=r>.
 AP Table Chain Gear Assembly, posted on brunswickbowling.com, no posted date given, no production date given, [online], [site visited May 11, 2017], Available from Internet, <URL: <http://www.brunswickbowling.com/products/parts/gs-pinsetter/detail/table-chain-gear-assembly/>>.
 1.125" Bearing Bore Gears—VEX Robotics, <http://www.vexrobotics.com/bearing-bore-gears.html>, Innovation First International, Inc. © 2002-2016
 Ball Shifter & Dog Gears—VEX Robotics, <http://www.vexrobotics.com/shifter-gears.html>, Innovation First International, Inc. © 2002-2016.
 Gear Base Pack—VEX Robotics, <http://www.vexrobotics.com/liq-gear-g.html>, Innovation First International, Inc. © 2002-2016.
 Andy Mark, Gears Search—Andy Mark Inc. (<http://www.andymark.com>) <http://www.andymark.com/Gears-s/85.htm> © 2017 AndyMark, Inc. (2 pgs.).
 Makeblock, Gears Search—Makeblock Co., Ltd. (<http://www.makeblock.com>) http://www.makeblock.com/index.php?route=product/category&path=69_99 © 2013-2017 Makeblock Co., Ltd. (1pg.).
 Modern Robotics, Gears Search—Modern Robotics, Inc. (<http://www.modernroboticsinc.com>) <http://www.modernroboticsinc.com/search?q=gear> © 2017 Modern Robotics, Inc.
 Servocity, Gears Search—Servocity (<https://www.servocity.com>) © 1999-2016 Robotzone, LLC—ServoCity® is a registered trademark of Robotzone, LLC (2 pgs.).
 Pitsco Tetrax, Gears Search—Tetrax Robotics (<http://www.tetraxrobotics.com>) <http://www.tetraxrobotics.com/Search/gears?st=0> © 2017 Pitsco, Inc. (1 pg.).

(56)

References Cited

OTHER PUBLICATIONS

Vex Robotics Gears Search—Vex Robotics (<https://www.vexrobotics.com>) <https://www.vexrobotics.com/catalogsearch/result/?q=gears> © 2002-2017. VEX Robotics, Inc. is a subsidiary of Innovation First International, Inc.

SparkFun Gears Search—SparkFun Electronics (<https://www.sparkfun.com>) <https://www.sparkfun.com/search/results?term=gears> (Publication date unknown but assumed to be prior to filing date.).

#25 Sprockets—VEX Robotics, <http://www.vexrobotics.com/25-sprockets.html>, Innovation First International, Inc. © 2002-2016.

#35 Sprockets—VEX Robotics, <http://www.vexrobotics.com/35-sprockets.html>, Innovation First International, Inc. © 2002-2016.

Sprockets & Chain—VEX Robotics, <http://vexrobotics.com/sprockets-and-chain.html>, Innovation First International, Inc. © 2002-2016.

Sprockets & Chain Kit—VEX Wiki, https://www.vexrobotics.com/wiki/Sprocket_and_Chain_Kit, Innovation First International, Inc.

© 2002-2016 Vex Robotics Wheel Search—Vex Robotics (<https://www.vexrobotics.com>) <https://www.vexrobotics.com/catalogsearch/result/?q=wheel> © 2002-2017. VEX Robotics, Inc. is a subsidiary of Innovation First International, Inc.

AndyMark Wheel Search—Andy Mark In. (<http://www.andymark.com>) <http://www.andymark.com/wheel-s/229.htm> © 2017 AndyMark, Inc.

MakeBlock Wheel Search—MakeBlock Co., Ltd (<http://www.makeblock.com>) <http://www.makeblock.com/index.php?route=product/search&search=wheel> © 2013-2017 Makeblock Co., Ltd.

Modern Robotics Wheel Search —Modern Robotics Inc. (<https://www.modernroboticsinc.com>) <http://www.modernroboticsinc.com/search?q=wheel> © 2017 Modern Robotics Inc.

Servocity Robotics Wheel Search—Servocity Robotics (<https://www.servocity.com>) <https://www.servocity.com/catalogsearch/re->

[sult/?q=wheel](https://www.servocity.com) © 1999-2016 Robotzone, LLC, ServoCity® is a registered trademark of Robotzone, LLC.

Tetrix Pitsco Wheel Search—Pitsco Inc. (<http://www.servocity.com>) <http://www.tetrixrobotics.com/Search/wheel?st=0> © 2017 Pitsco, Inc.

SparkFun Wheel Search—SparkFun Electronics (<https://www.sparkfun.com>) <https://www.sparkfun.com/search/results?term=wheel> (Publication date unknown but assumed to be prior to the filing date).

AndyMark Sprocket Search—AndyMark Inc. (<http://www.andymark.com>) <http://www.andymark.com/Search-s/545.htm?Search=sprocket&Submit=> © 2017 AndyMark, Inc.

Vex Robotics Sprocket Search—Vex Robotics, Inc. (<https://www.vexrobotics.com>) <https://www.vexrobotics.com/catalogsearch/result/?q=sprocket> (Publication date unknown but assumed to be prior to the filing date).

SparkFun Electronics Sprocket Search—SparkFun Electronics (<https://www.sparkfun.com>) <https://www.sparkfun.com/search/results?term=sprocket> (Publication date unknown but assumed to be prior to the filing date).

Robinson Racing Spur Gear, 72T; NRU, TMX RRP8572, posted on amazon.com, earliest reviewed Jan. 19, 2015, no production date given, [online], [site visited May 18, 2017], Available from Internet, <URL: https://www.amazon.com/Robinson-Racing-Steel-Spur-Gear/dp/B0006N6N7K/ref=sr_1_9?ie=UTF8&qid=1495154175&sr=8-9&keywords=spur+gear>.

Kawada Machine Cut Spur Gear, posted on ebay.com, no posted date given, no production date given, [online], [site visited May 18, 2017], Available from Internet, <URL: http://www.ebay.com/itm/Kawada-Machine-Cut-Spur-Gear-64P-78T-1-10-RC-Cars-Touring-Drift-On-Road-SM6478-/142068863379?_trksid=p2385738.m2548.14275>.

Vex Pro Gear—VEX Robotics (<https://www.vexrobotics.com>) <https://www.vexrobotics.com/vexpro/motion/vexpro-gears> © 2002-2017. All Rights Reserved. VEX Robotics, Inc. is a subsidiary of Innovation First International, Inc. (2 pages).

* cited by examiner

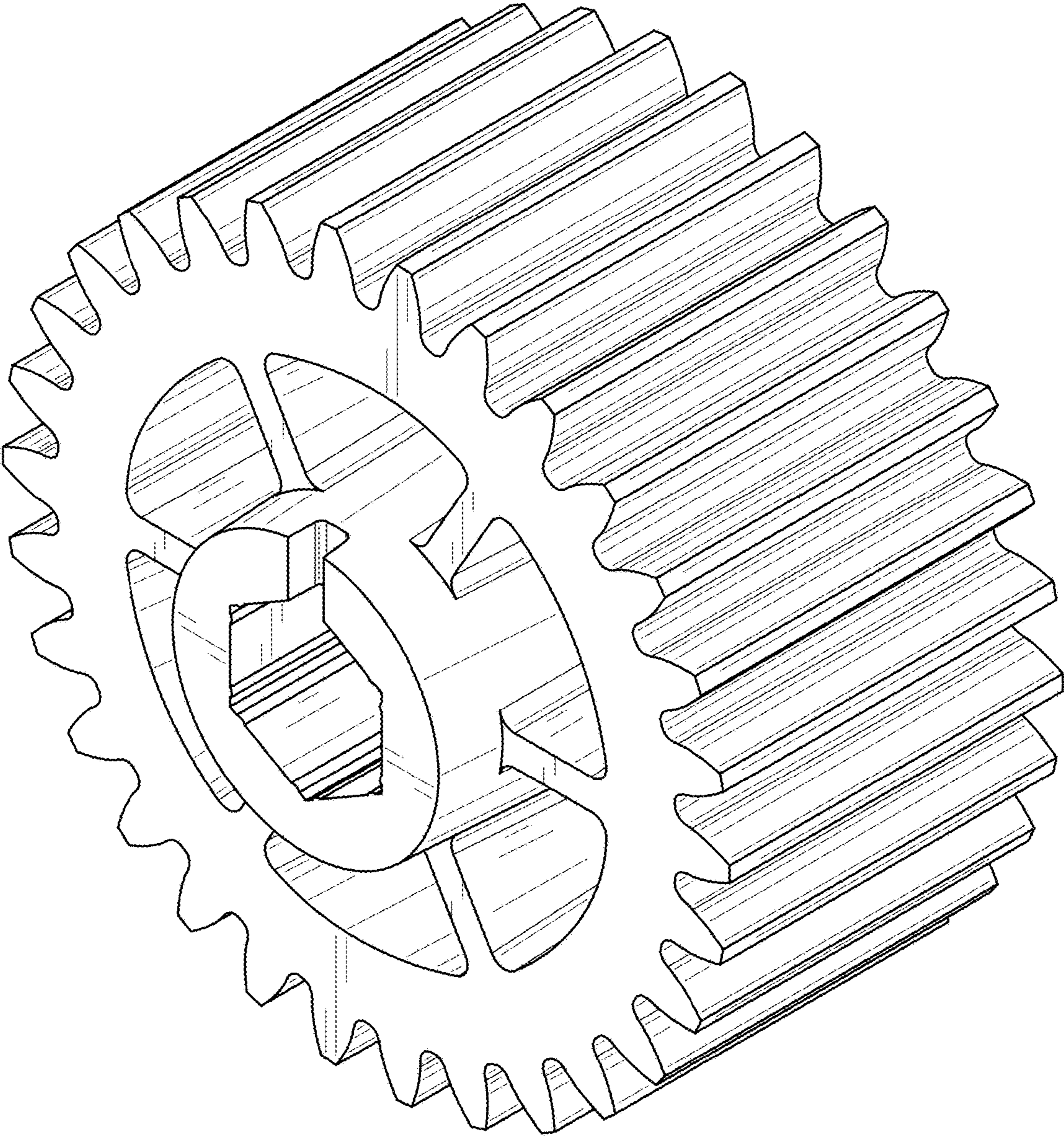


FIG. 1

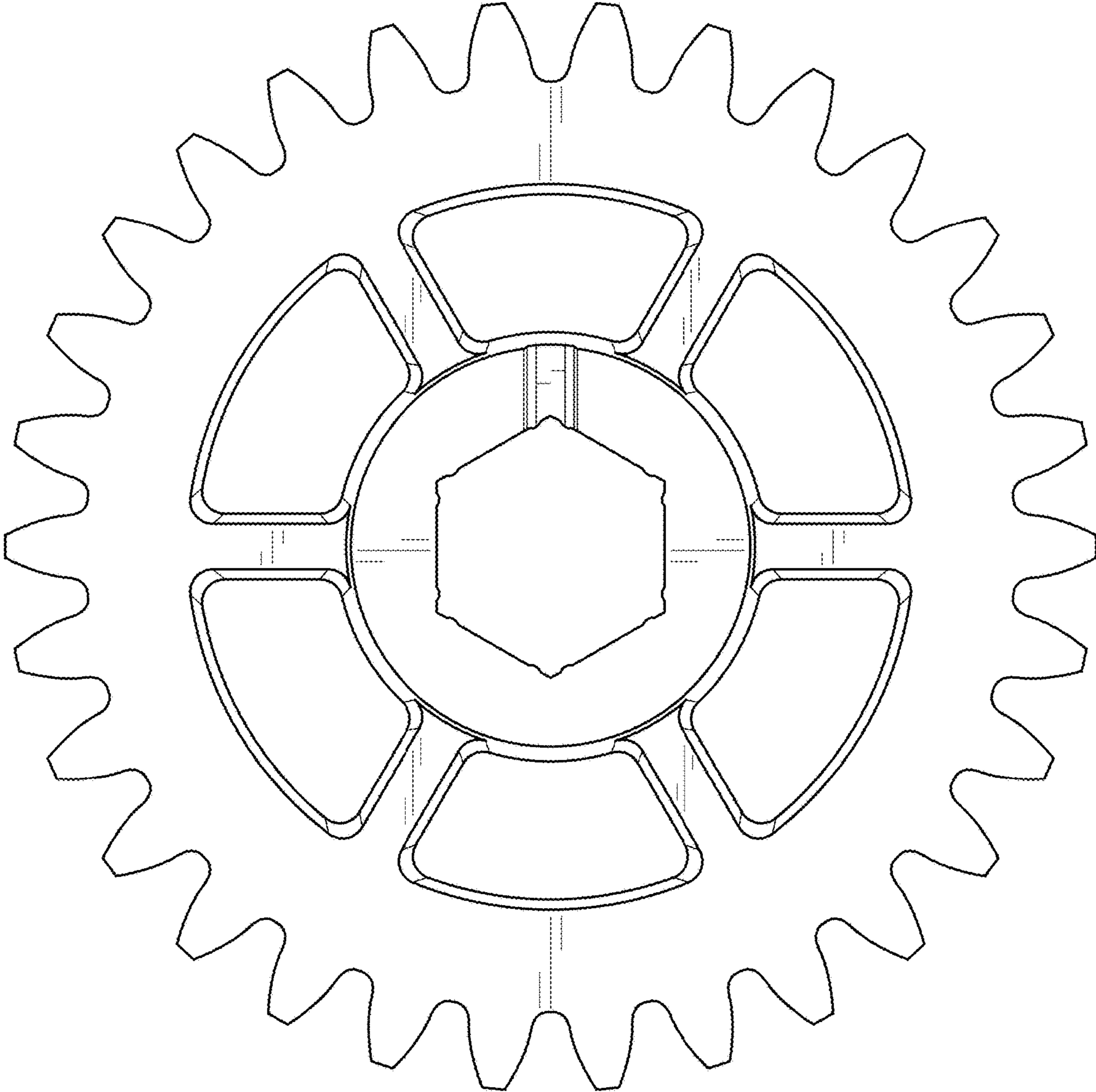


FIG. 2

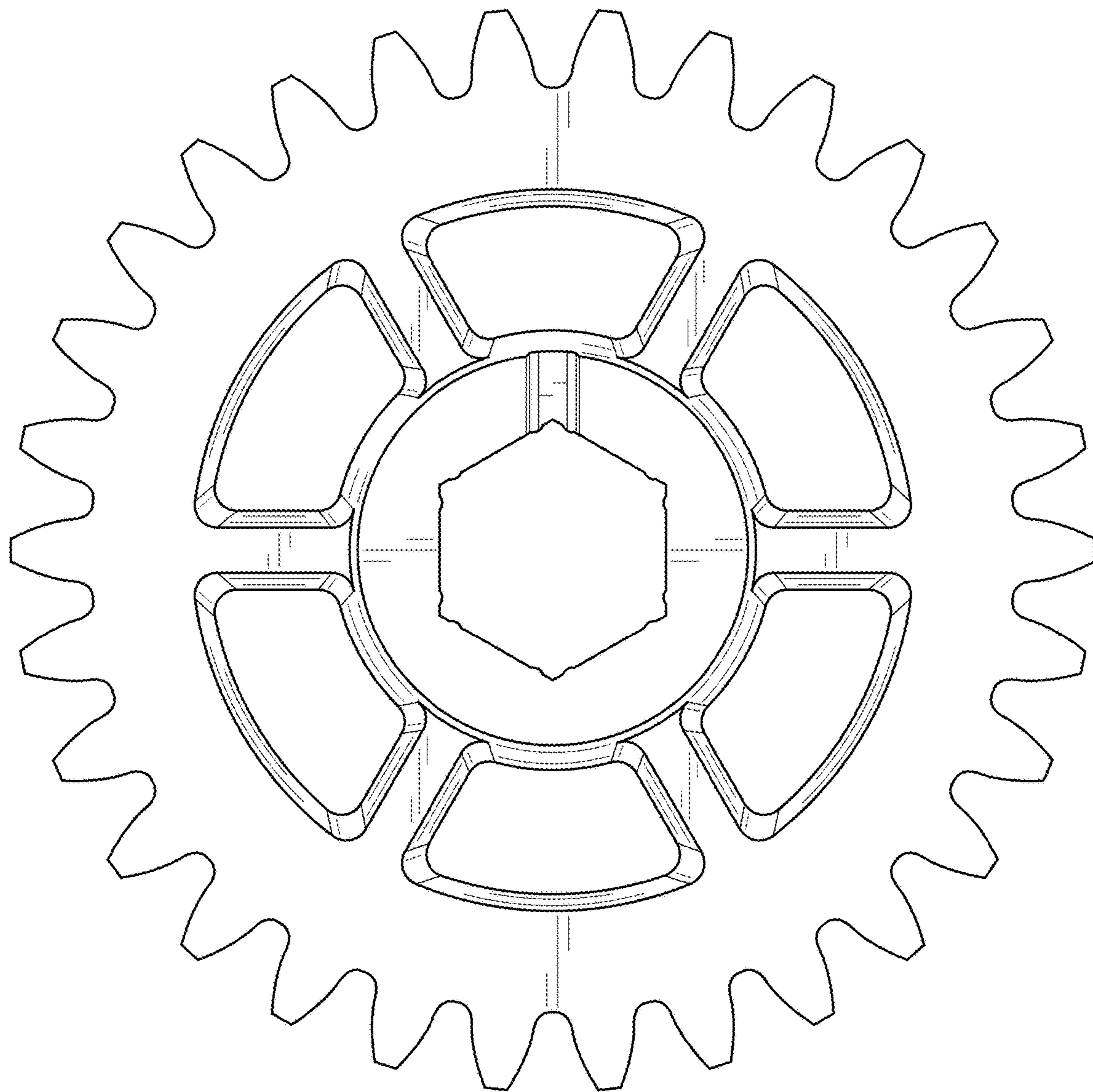


FIG. 3

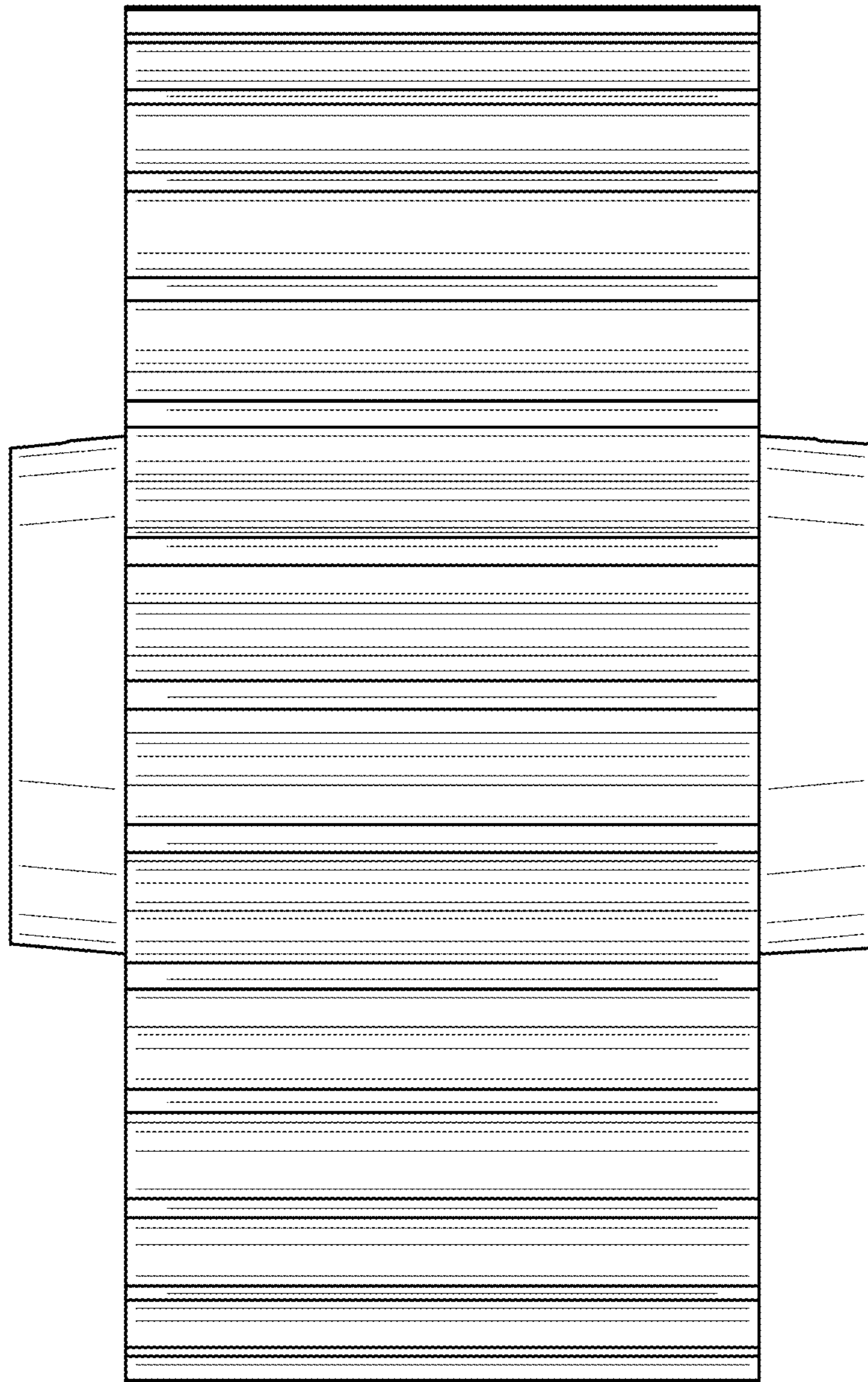


FIG. 4

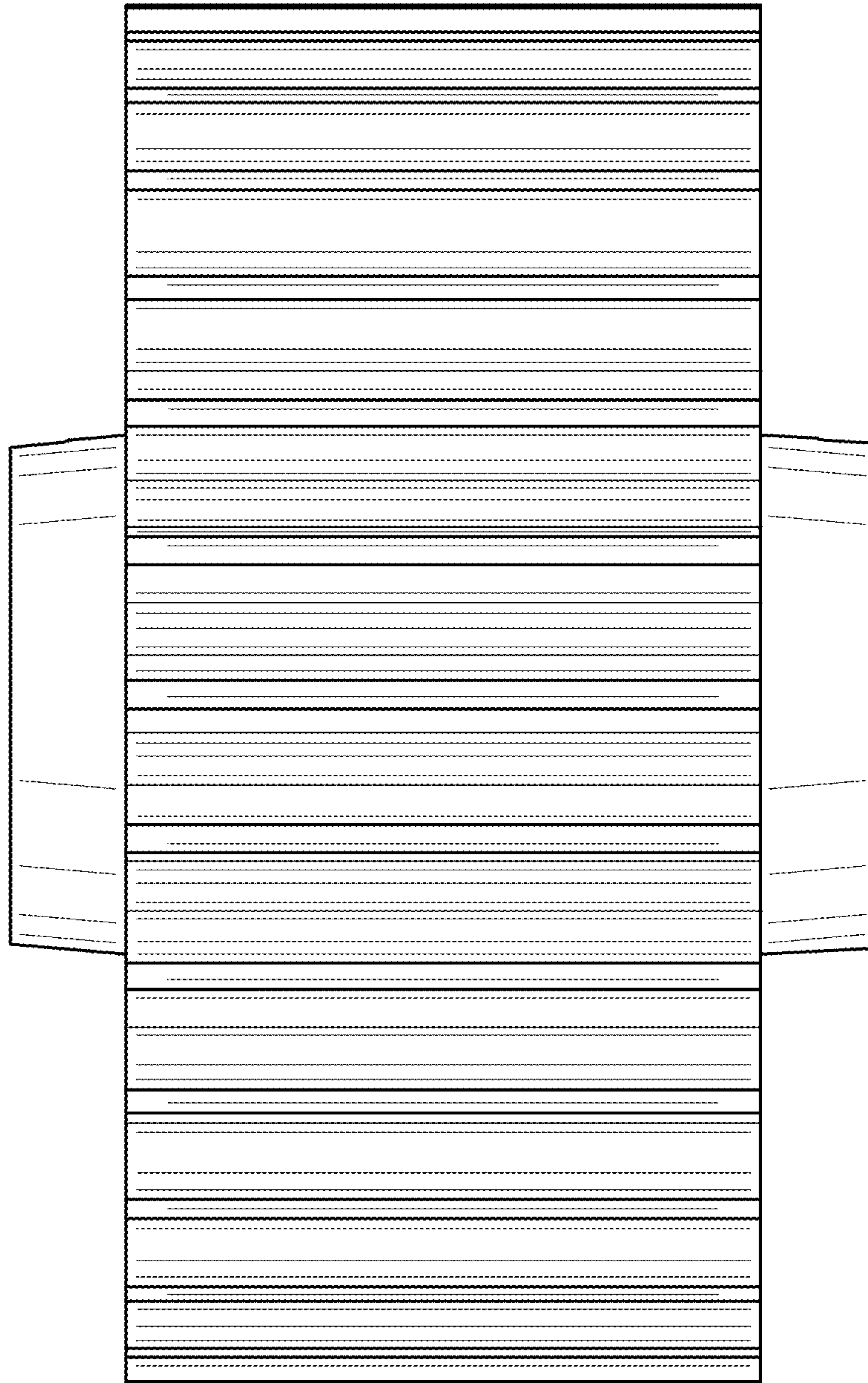


FIG. 5

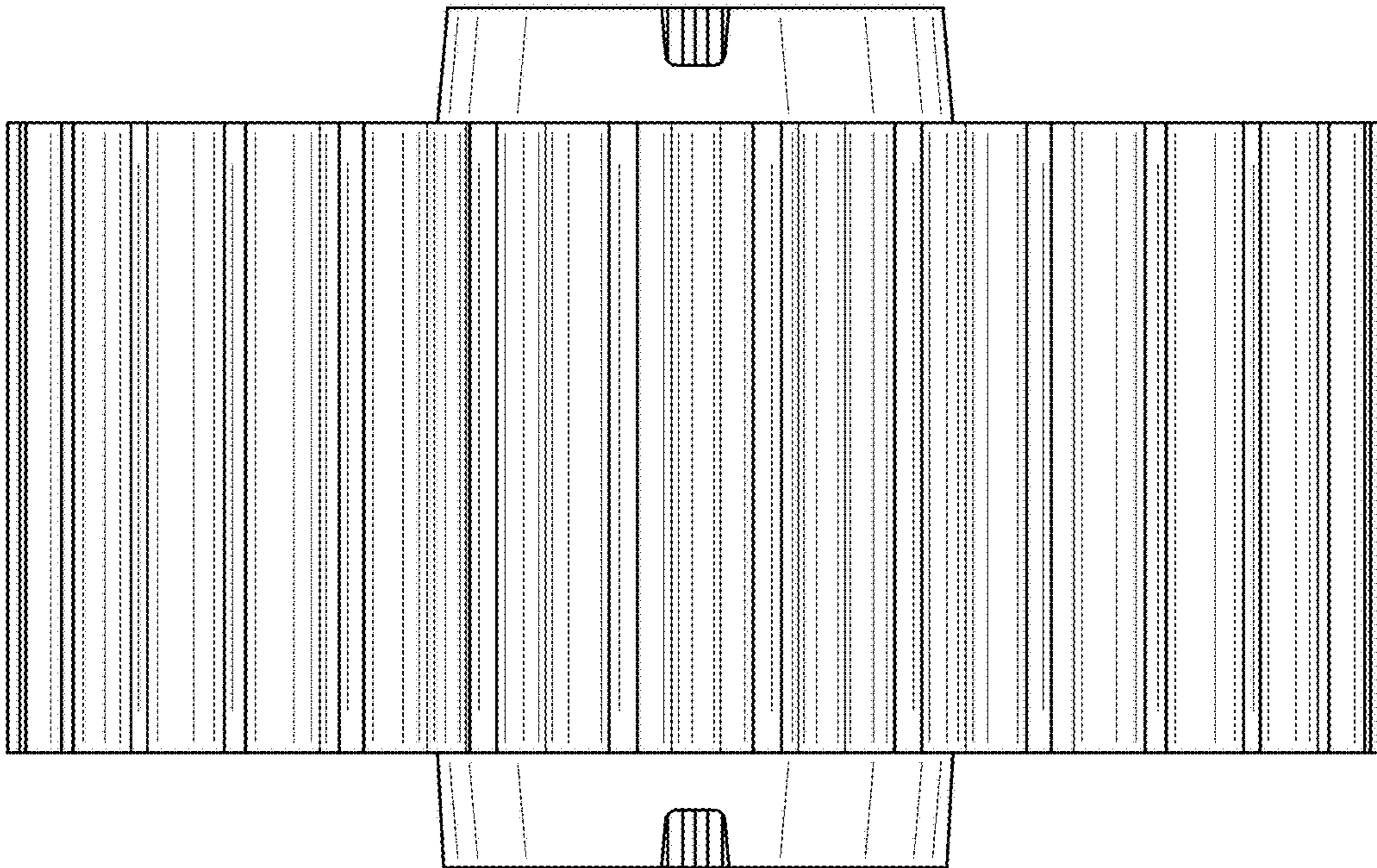


FIG. 6

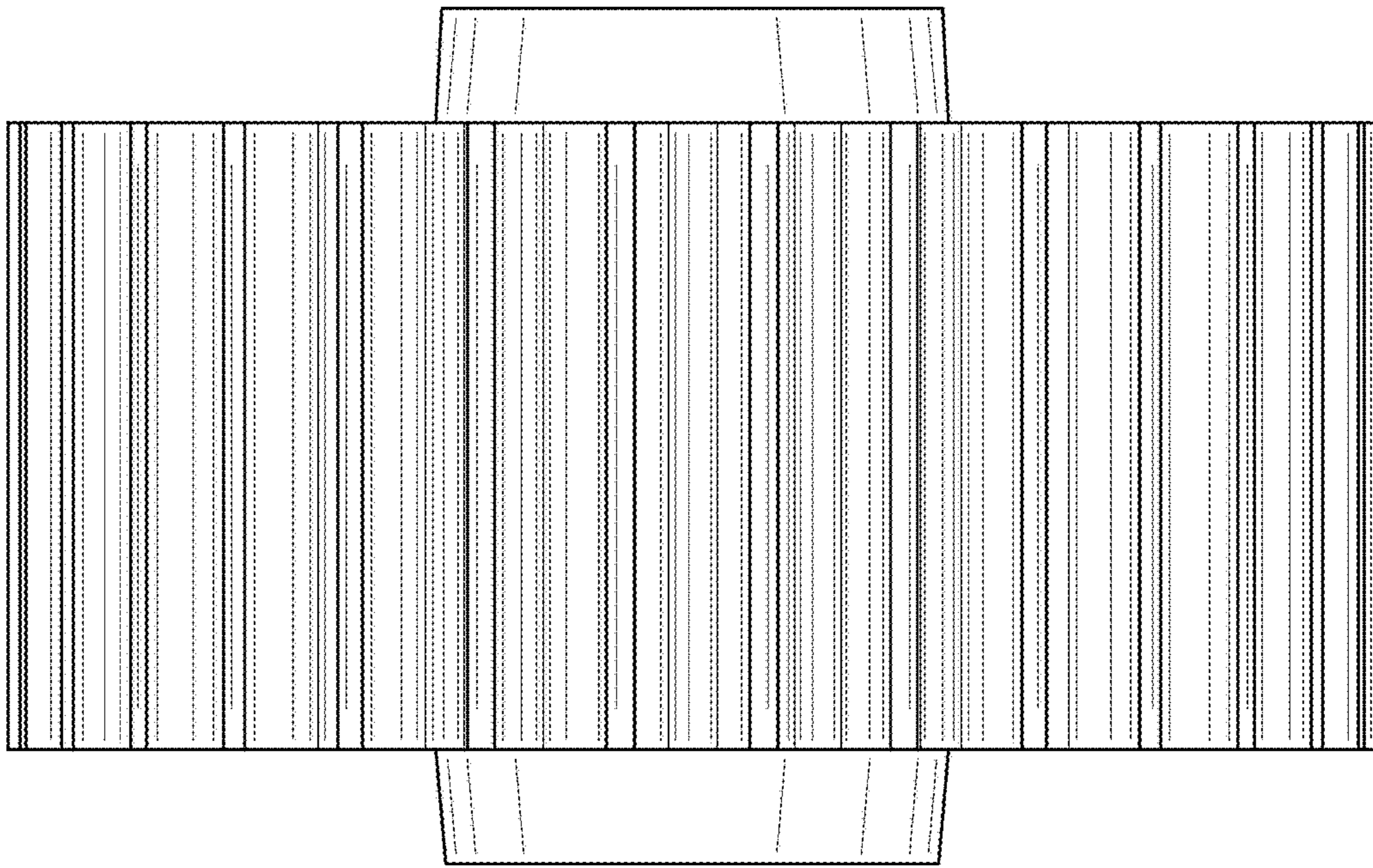


FIG. 7