



US00D815674S

(12) **United States Design Patent**  
**Mößnang et al.**

(10) **Patent No.:** **US D815,674 S**  
(45) **Date of Patent:** **\*\* Apr. 17, 2018**

- (54) **WELDING APPARATUS FOR THERMOPLASTIC MATERIAL**
- (71) Applicant: **MULTIVAC Sepp Haggemüller SE & Co. KG**, Wolfertschwenden (DE)
- (72) Inventors: **Konrad Mößnang**, Kempten (DE); **Jonas Friedl**, Peiting (DE)
- (73) Assignee: **MULTIVAC SEPP HAGGENMUELLER SE & CO. KG**, Wolfertschwenden (DE)

- D339,146 S \* 9/1993 Ruzowski ..... D15/144.2
- D388,800 S \* 1/1998 Zook ..... D15/144
- D411,553 S \* 6/1999 Scholl ..... D15/144
- 5,919,384 A \* 7/1999 Reifenberger ..... B05C 11/1042  
219/421
- D425,530 S \* 5/2000 Lafitte ..... D15/144
- D428,427 S \* 7/2000 Neef ..... D15/144.2
- D482,376 S \* 11/2003 Jeter ..... D15/144
- D489,741 S \* 5/2004 Calco ..... D15/144
- D490,448 S \* 5/2004 Ishihara ..... D15/144
- D500,063 S \* 12/2004 Jeter ..... D15/144
- D504,903 S \* 5/2005 Crisler, III ..... D15/144
- D552,641 S \* 10/2007 Razquin Murgui ..... D15/144
- D562,368 S \* 2/2008 Byerly ..... D15/144

(Continued)

(\*\*) Term: **15 Years**

*Primary Examiner* — Patricia A Palasik

(21) Appl. No.: **29/562,166**

(74) *Attorney, Agent, or Firm* — Husch Blackwell LLP

(22) Filed: **Apr. 22, 2016**

(30) **Foreign Application Priority Data**

- Oct. 27, 2015 (EM) ..... 002838516-0001
- Oct. 27, 2015 (EM) ..... 002838516-0002
- Oct. 27, 2015 (EM) ..... 002838516-0003

(51) **LOC (11) Cl.** ..... **15-09**

(52) **U.S. Cl.**  
USPC ..... **D15/144**

(58) **Field of Classification Search**  
USPC ..... D8/29.1, 30; D15/144, 144.1, 144.2  
CPC ..... B05C 11/1042; B29B 13/022; B29K  
2105/0097; B67D 7/645  
See application file for complete search history.

(56) **References Cited**

**U.S. PATENT DOCUMENTS**

- D269,349 S \* 6/1983 Belter ..... D15/144
- D270,353 S \* 8/1983 Lewellen ..... D15/144
- D276,617 S \* 12/1984 Scholl ..... D15/144
- 4,485,942 A \* 12/1984 Petrecca ..... B29B 13/022  
219/424
- D282,262 S \* 1/1986 Ramazzotti ..... D15/145

(57) **CLAIM**

The ornamental design for a welding apparatus for thermo-  
plastic material, as shown and described.

**DESCRIPTION**

FIG. 1 is a top perspective view of the design of a welding apparatus for thermoplastic material showing a first embodiment of the new design;

FIG. 2 is a front elevation view of the welding apparatus for thermoplastic material shown in FIG. 1;

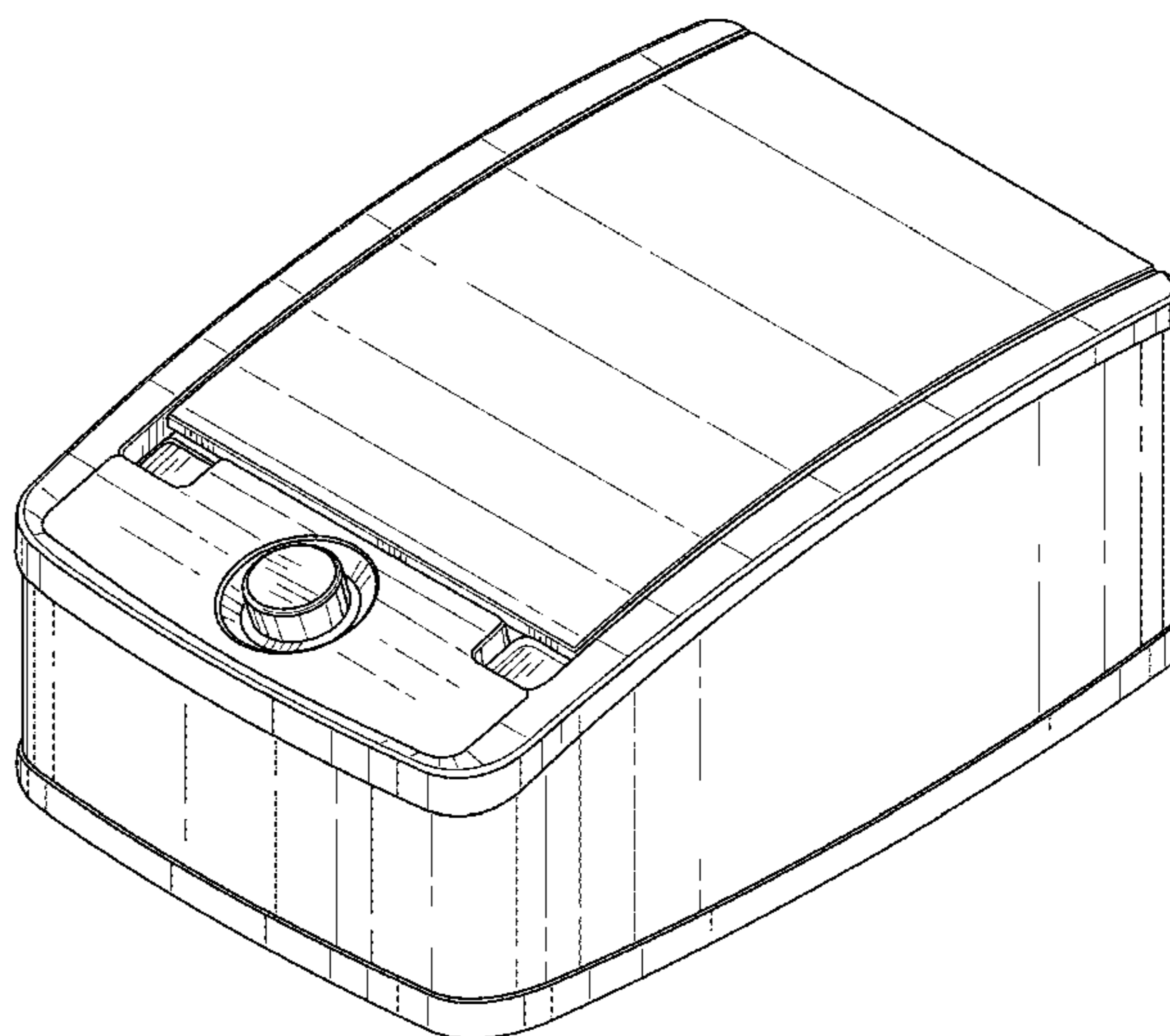
FIG. 3 is a right side elevation view of the welding apparatus for thermoplastic material shown in FIG. 1 (the left side elevation view of the welding apparatus for thermoplastic material is a mirror image of the view shown in FIG. 3);

FIG. 4 is a rear elevation view of the welding apparatus for thermoplastic material shown in FIG. 1;

FIG. 5 is a top plan view of the welding apparatus for thermoplastic material shown in FIG. 1; and,

FIG. 6 is a bottom plan view of the welding apparatus for thermoplastic material shown in FIG. 1.

**1 Claim, 4 Drawing Sheets**



(56)

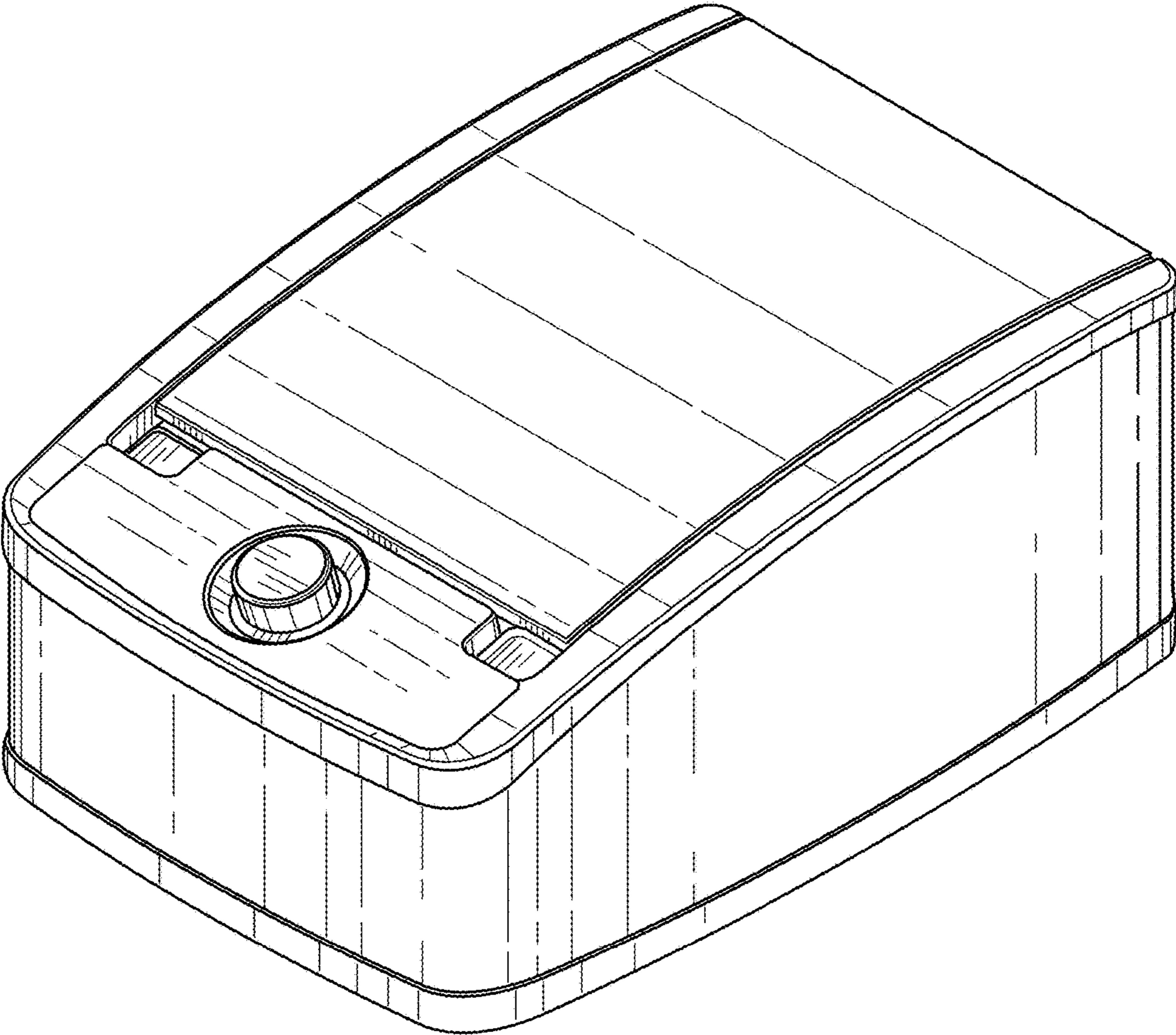
**References Cited**

U.S. PATENT DOCUMENTS

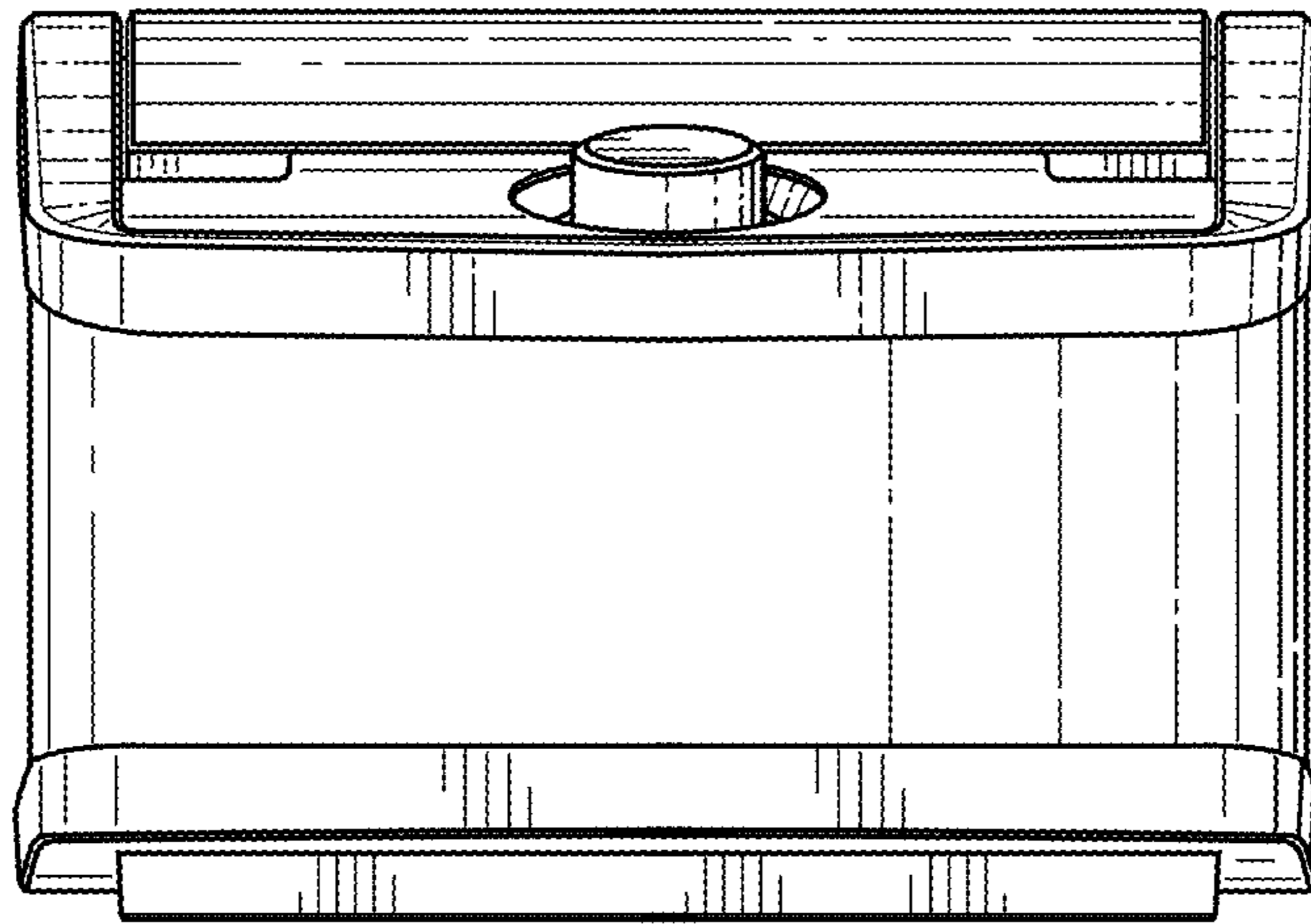
D618,353 S \* 6/2010 Sanga ..... D13/163  
D678,374 S \* 3/2013 Bondeson ..... D15/144.2  
D726,793 S \* 4/2015 von Wyl ..... D15/144  
D737,876 S \* 9/2015 von Wly ..... D15/144  
2009/0095730 A1\* 4/2009 Ganzer ..... B29B 13/022  
219/421  
2016/0121358 A1\* 5/2016 Gould ..... B05C 11/1042  
137/1

\* cited by examiner

FIG. 1



**FIG. 2**



**FIG. 3**

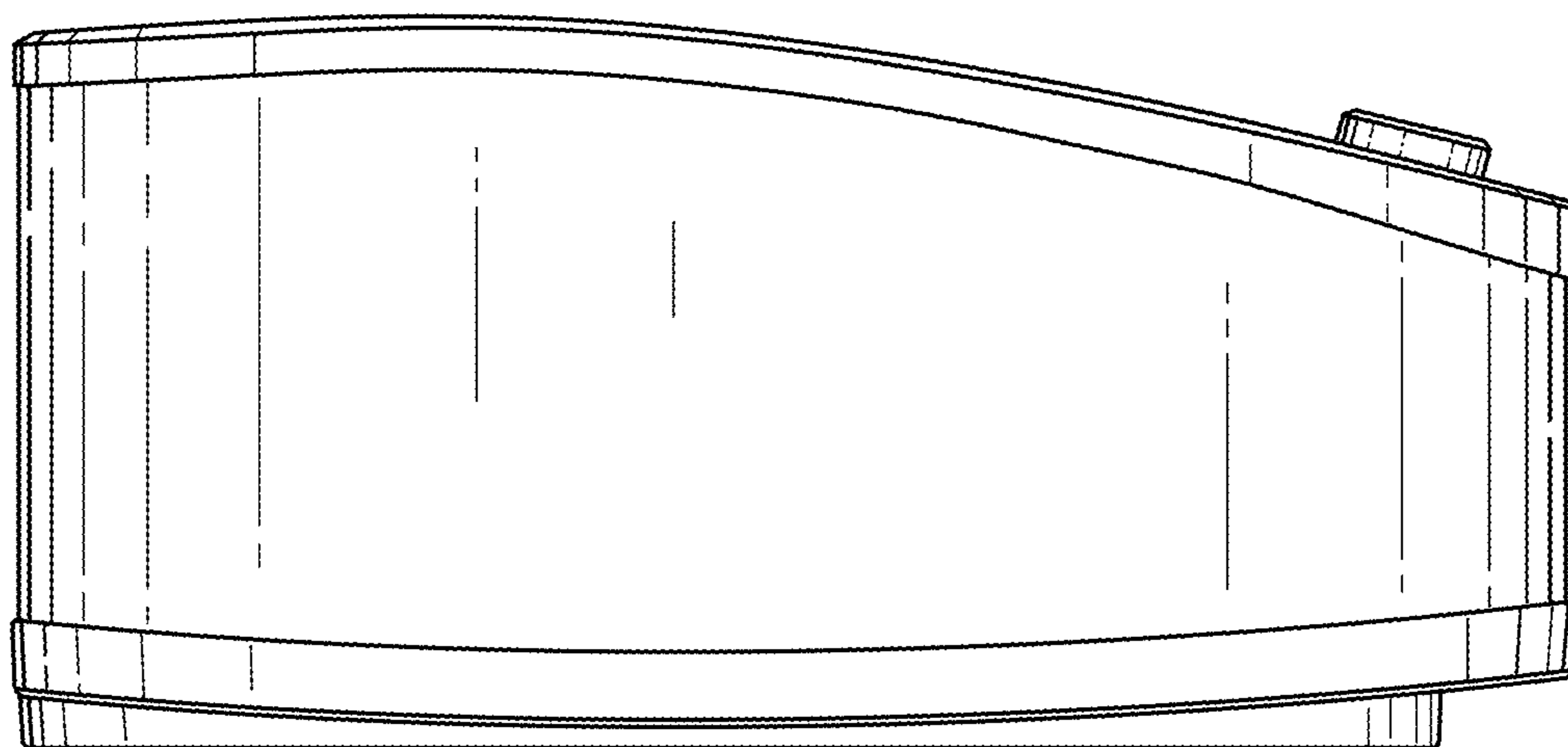


FIG. 4

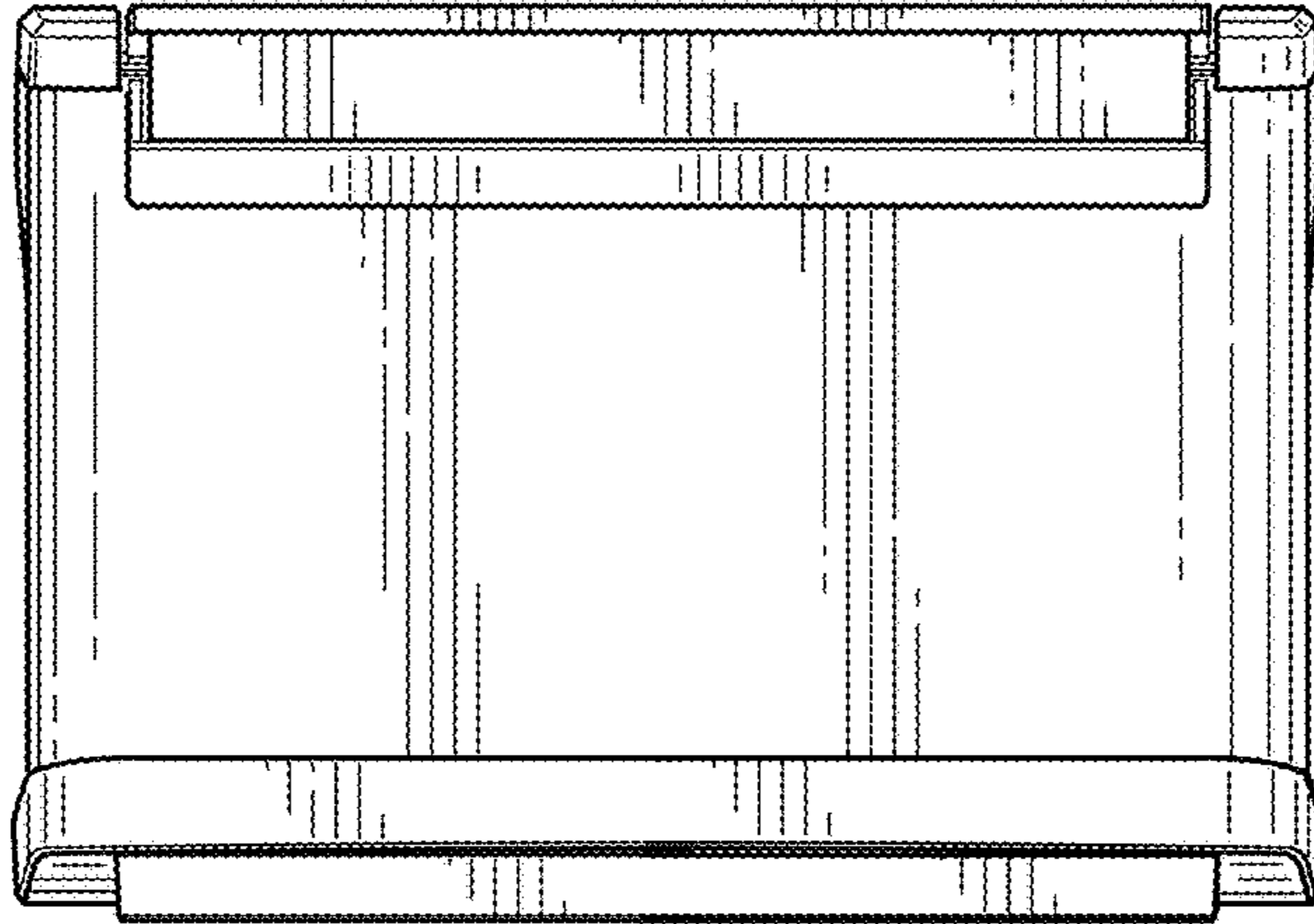


FIG. 5

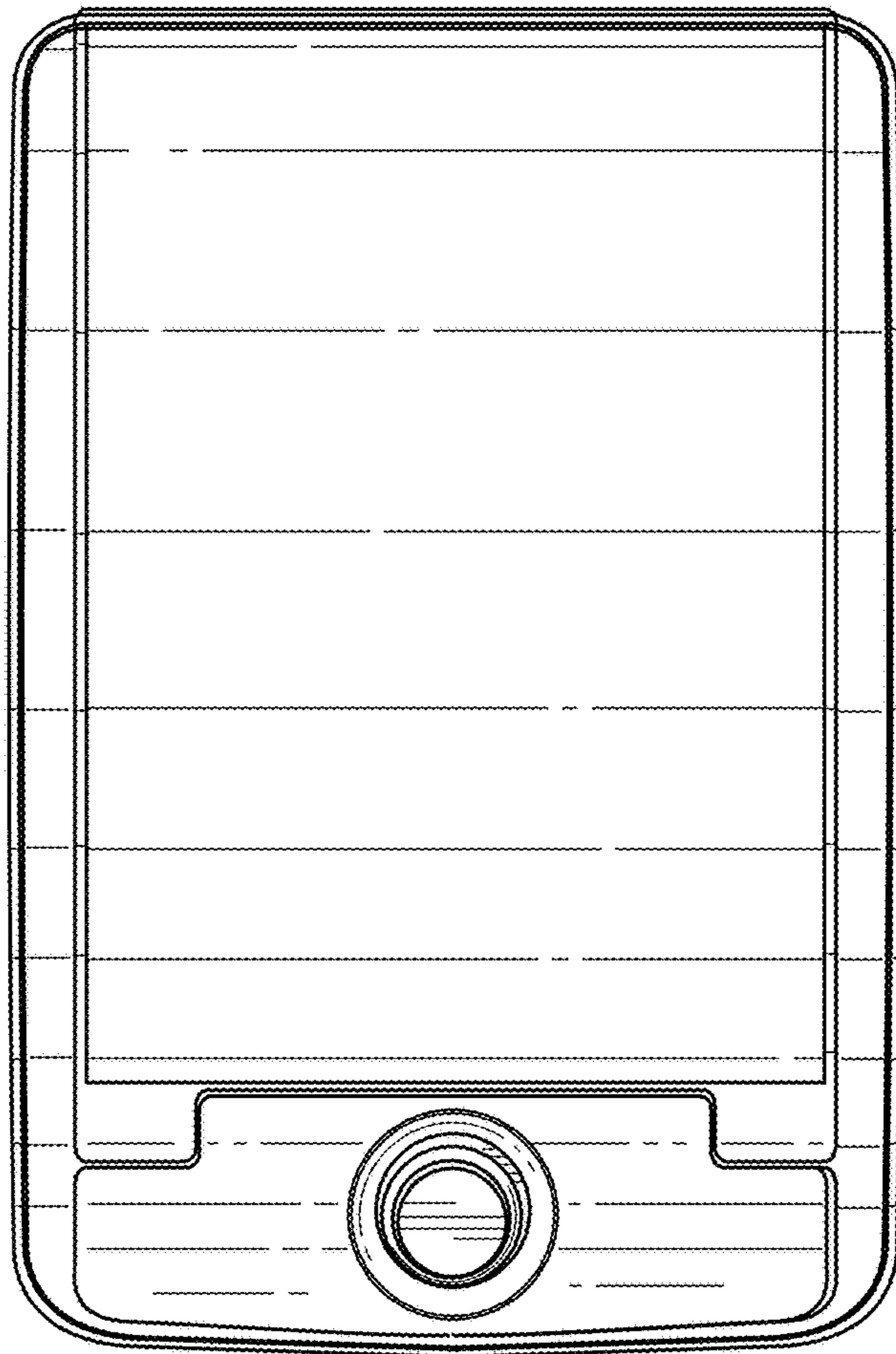


FIG. 6

