



US00D815672S

(12) **United States Design Patent** (10) **Patent No.:** **US D815,672 S**
Shikama (45) **Date of Patent:** **** Apr. 17, 2018**

(54) **CUTTING TOOL**

(71) Applicant: **TUNGALOY CORPORATION**,
Iwaki-shi, Fukushima (JP)

(72) Inventor: **Hiroya Shikama**, Iwaki (JP)

(73) Assignee: **TUNGALOY CORPORATION**,
Iwaki, Fukushima (JP)

(**) Term: **15 Years**

(21) Appl. No.: **29/600,383**

(22) Filed: **Apr. 12, 2017**

(30) **Foreign Application Priority Data**

Jan. 26, 2017 (JP) 2017-001313

(51) **LOC (11) Cl.** **15-03**

(52) **U.S. Cl.**
USPC **D15/139**

(58) **Field of Classification Search**

USPC D15/124-144; D8/70, 90, 98, 120
CPC B23C 2200/0411; B23C 2200/0416; B23C
2200/0433; B23C 2200/164; B23C
2200/361; B23C 2210/0457; B23C 5/006;
B23C 2200/168; B23C 2210/163; B23C
2226/125; B23C 5/10; B23C 2200/081;
B23C 2200/087; B23C 2200/161; B23C
2200/206; B23C 2210/02; B23C 2210/03;
B23C 2210/166; B23C 2210/50; B23C
2226/315; B23C 5/2208; B23C 5/2472;
B23C 2200/0477; B23C 2200/0483;
B23C 2200/083; B23C 2200/121; B23C
2200/362; B23C 2210/0428; B23C
2210/0435; B23C 2210/16; B23C
2220/36; B23C 2220/44; B23C 2240/08;
B23C 2250/12; B23C 2270/06; B23C
5/2204; B23C 5/2213; B23C 5/2247;
B23C 5/2427; B23C 2200/0422; B23C
2200/08; B23C 2200/086; B23C
2200/123

See application file for complete search history.

(56) **References Cited**

U.S. PATENT DOCUMENTS

D442,192 S *	5/2001	Strong	D15/139
D519,532 S *	4/2006	Strand	D15/139
D549,249 S *	8/2007	Omi	D15/139
D609,257 S *	2/2010	Frejd	D15/139
D620,034 S *	7/2010	Sjoo	D15/139
D626,979 S *	11/2010	Anderson	D15/139
D627,805 S *	11/2010	Dost	D15/139
D678,925 S *	3/2013	Glimpel	D15/139

(Continued)

Primary Examiner — Ian Simmons

Assistant Examiner — Khawaja Anwar

(74) *Attorney, Agent, or Firm* — Sughrue Mion, PLLC

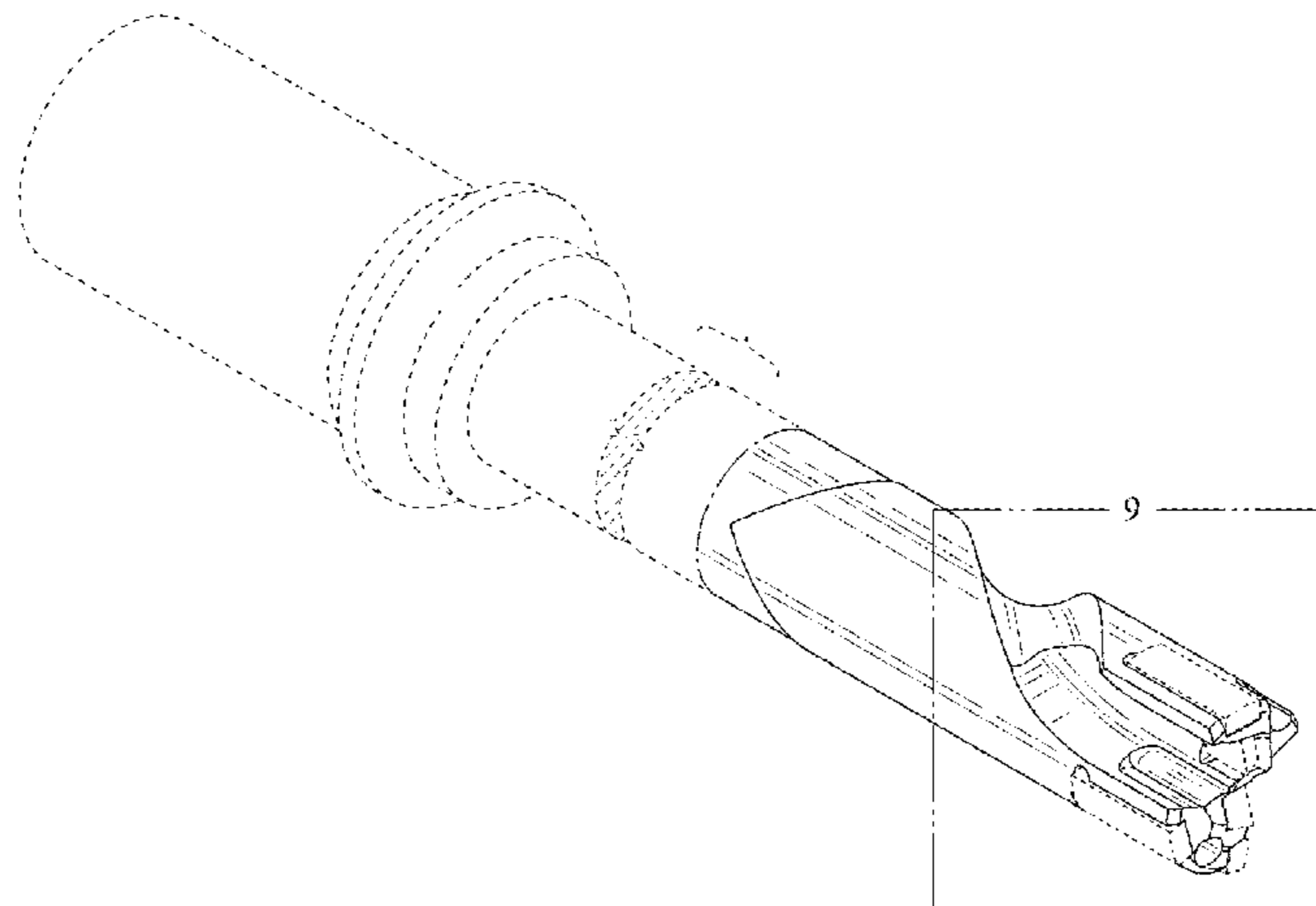
(57) **CLAIM**

The ornamental design for a cutting tool, as shown and described.

DESCRIPTION

FIG. 1 is a first perspective view of a cutting tool showing my new design;
FIG. 2 is a second perspective view;
FIG. 3 is a front view;
FIG. 4 is a rear view;
FIG. 5 is a left side view;
FIG. 6 is a right side view;
FIG. 7 is a top plan view;
FIG. 8 is a bottom view;
FIG. 9 is a perspective enlarged view of a part shown in FIG. 1 indicated by 9; and,
FIG. 10 is a perspective enlarged view of a part shown in FIG. 2 indicated by 10.
The broken lines shown in drawings represent portions of the cutting tool that form no part of the claimed design; The dash-dot-dot-dash lines represent the boundary of the claimed design and form no part of the claimed design.

1 Claim, 7 Drawing Sheets



(56)

References Cited

U.S. PATENT DOCUMENTS

D693,861 S	*	11/2013	Sato	D15/139
D723,076 S	*	2/2015	Lampe	D15/139
D756,430 S	*	5/2016	Park	D15/139
D797,170 S	*	9/2017	Sharivker	D15/139
D799,574 S	*	10/2017	Fothergill	D15/139

* cited by examiner

Fig. 1

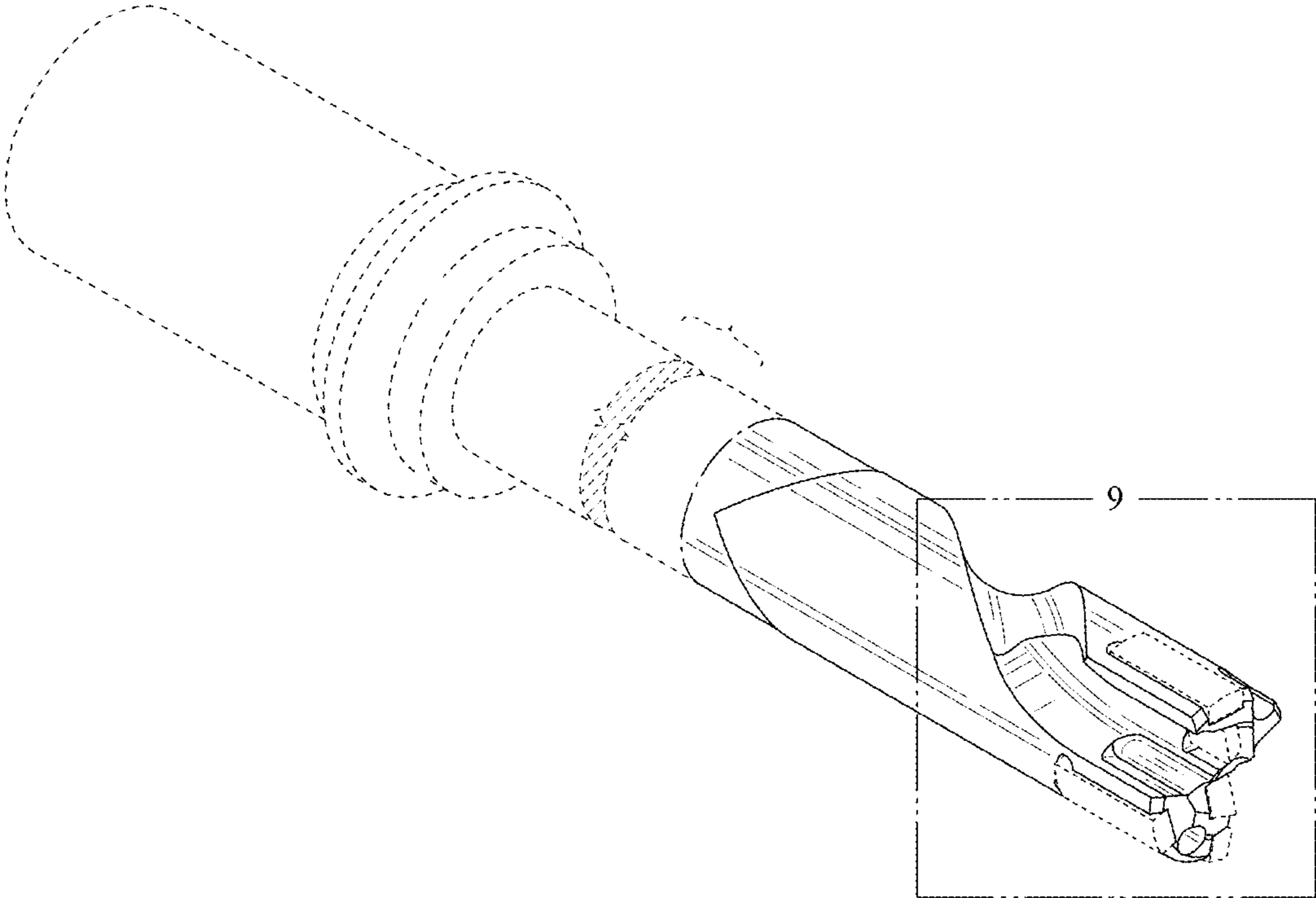


Fig. 2

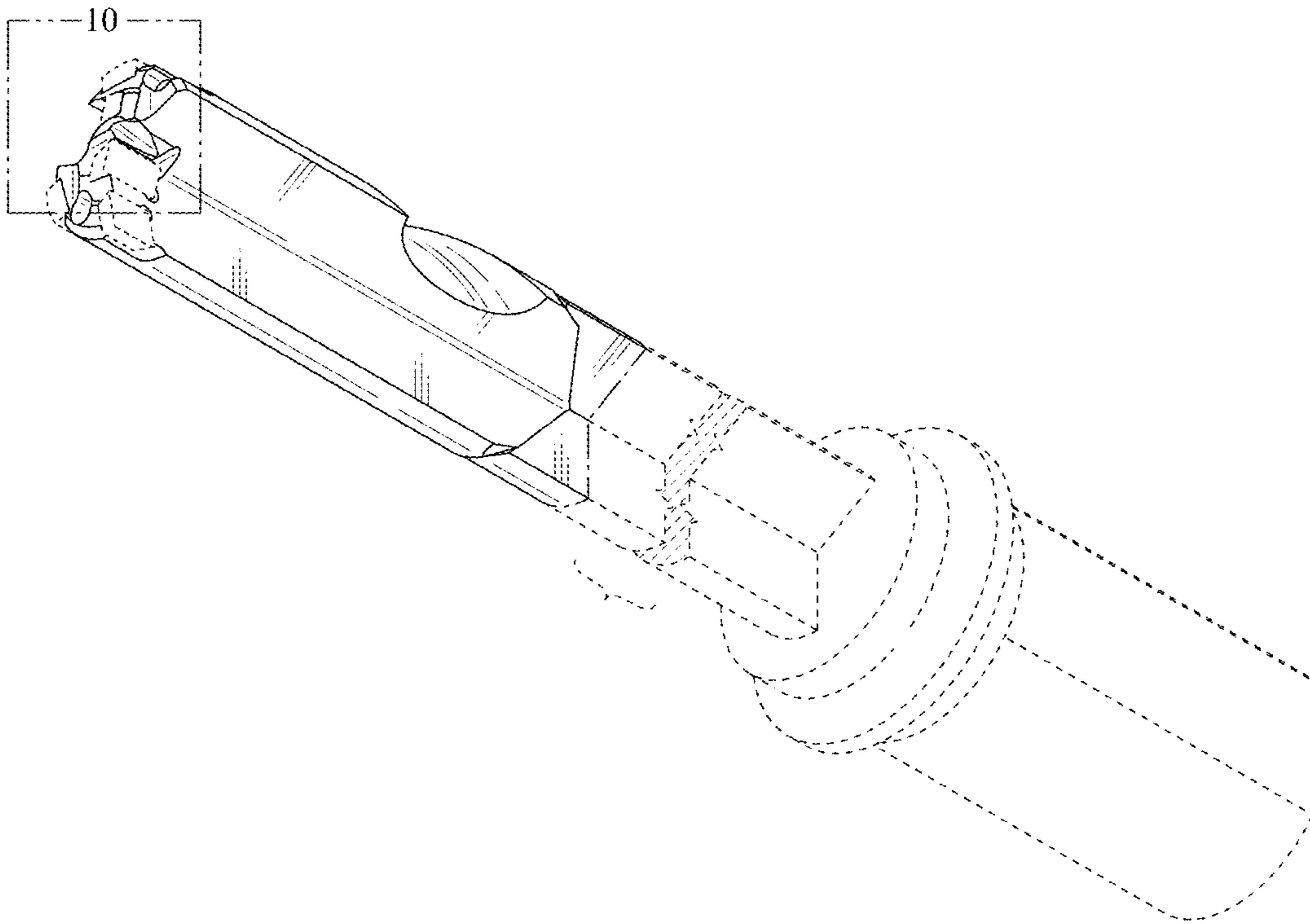


Fig. 3

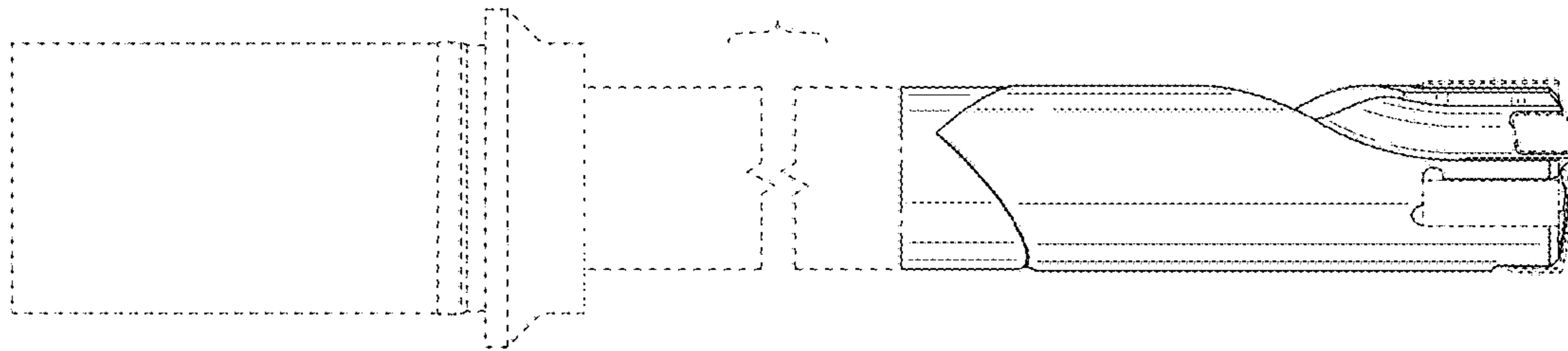


Fig. 4

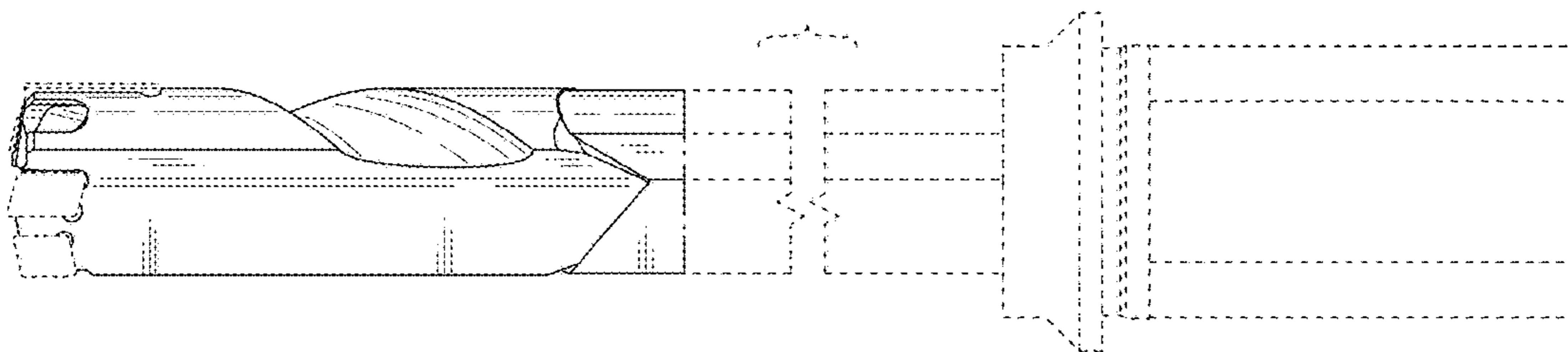


Fig. 5

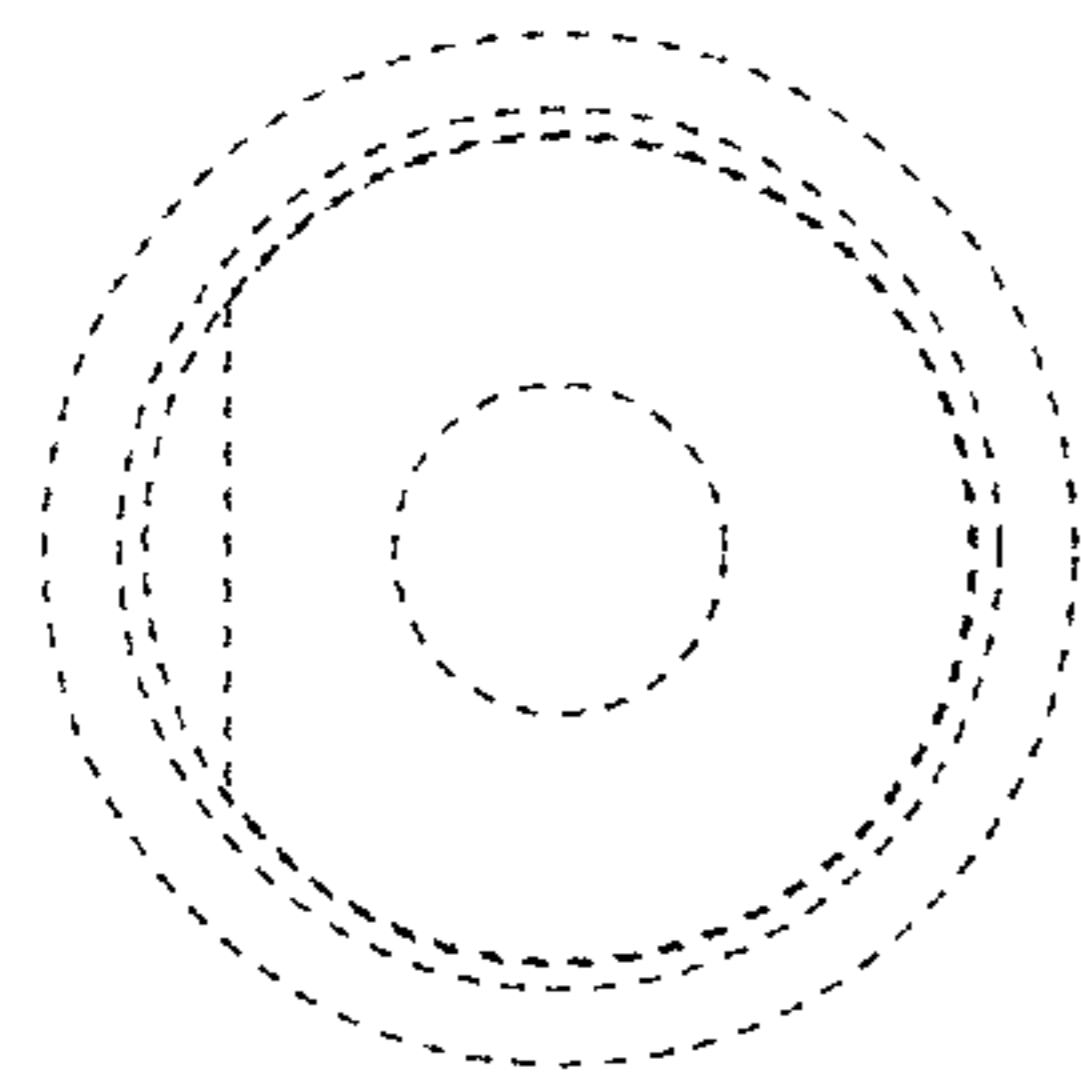


Fig. 6

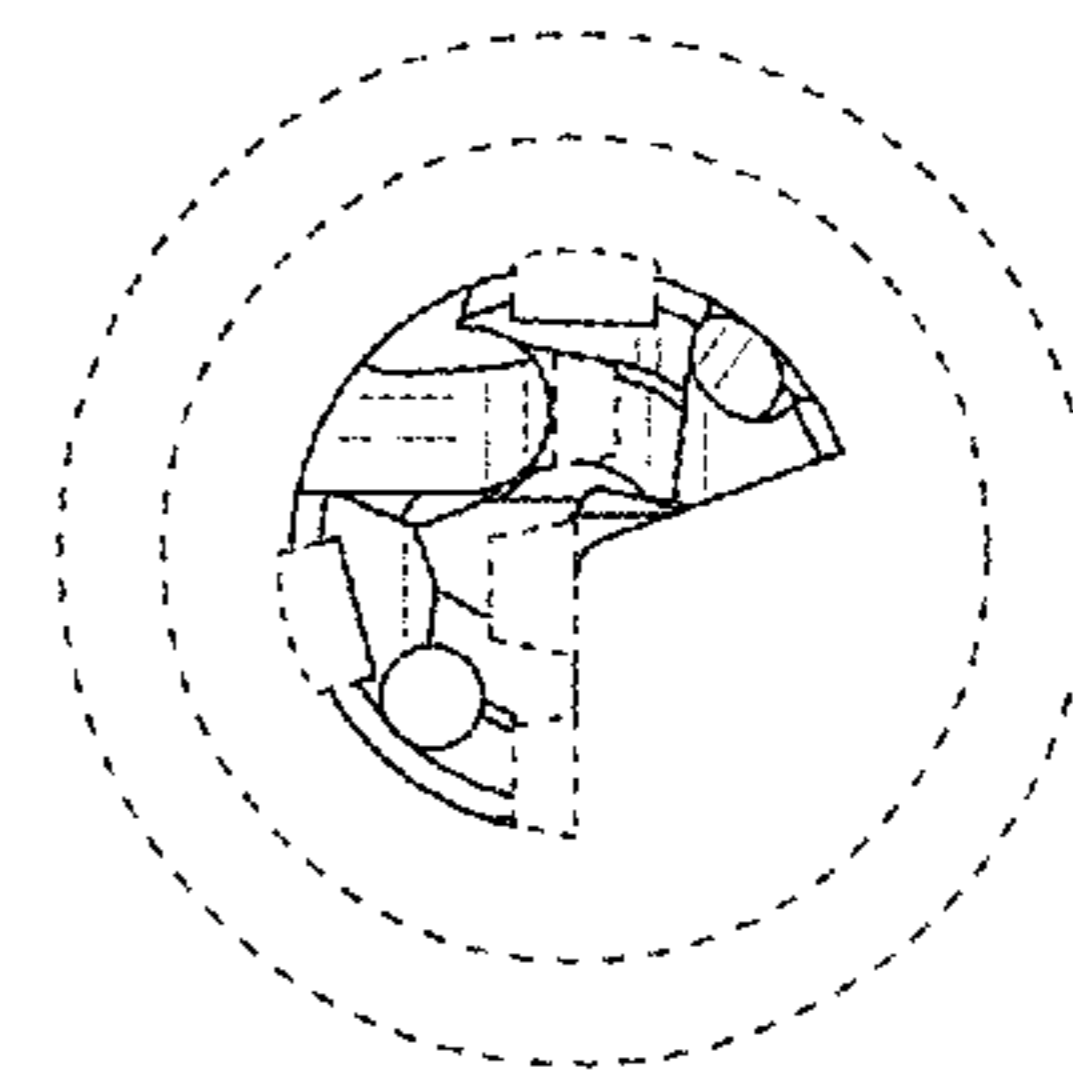


Fig. 7

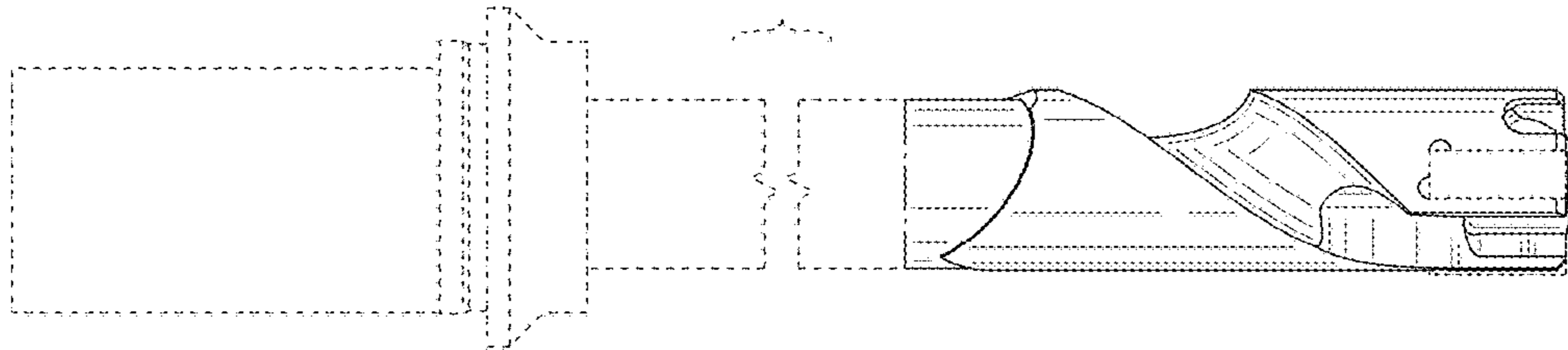


Fig. 8

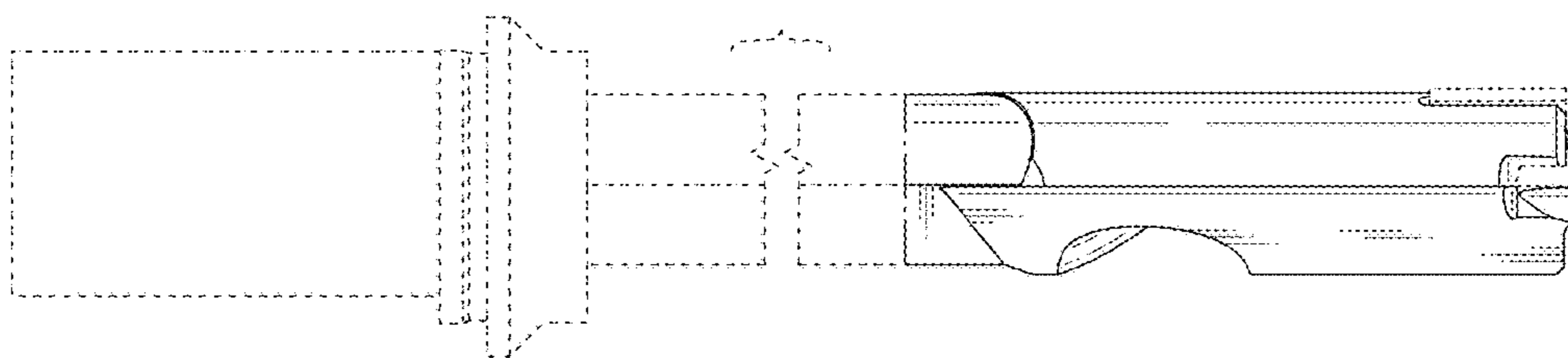


Fig. 9

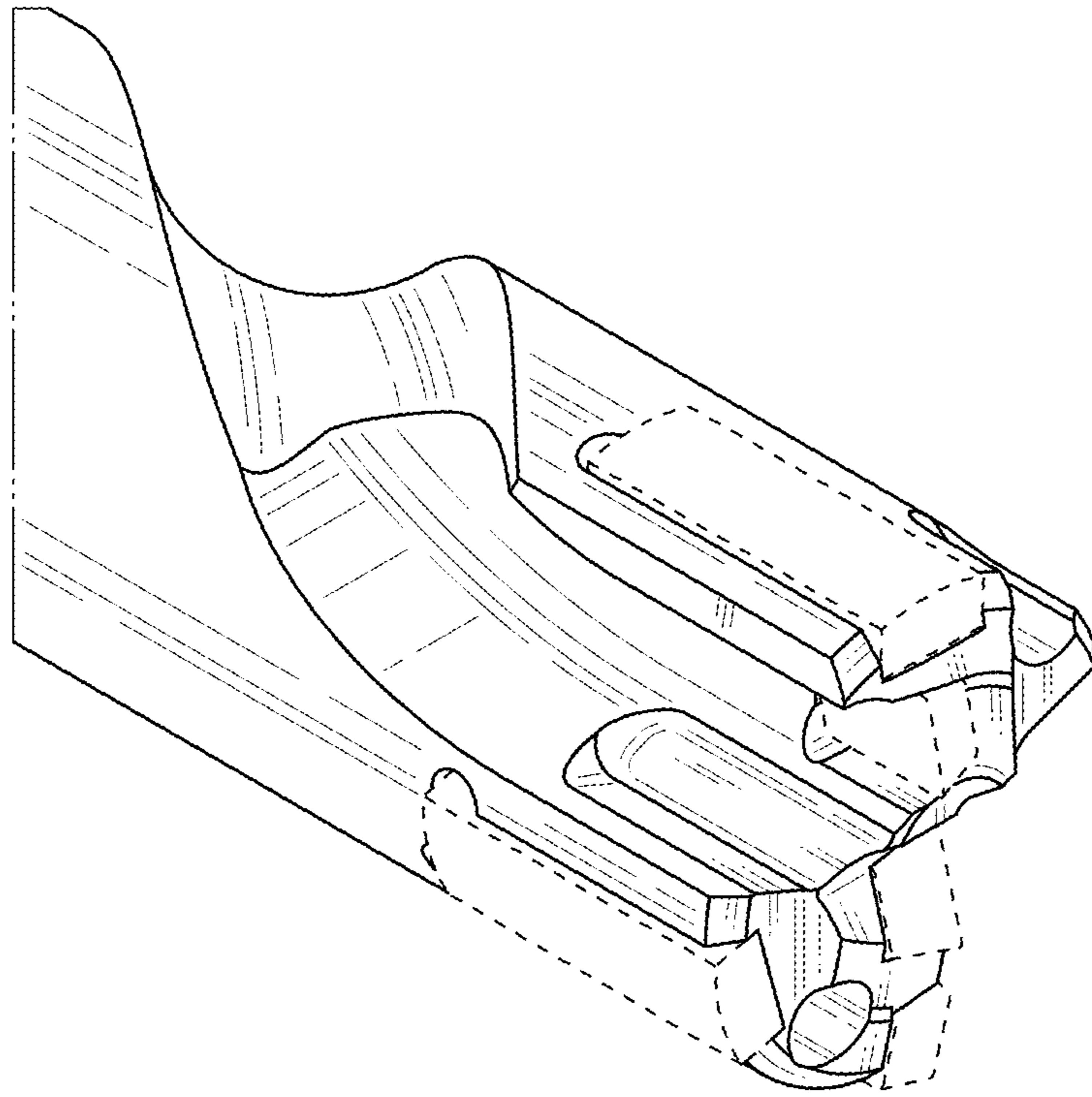


Fig. 10

