



US00D815645S

(12) **United States Design Patent**
Felt

(10) **Patent No.:** **US D815,645 S**
(45) **Date of Patent:** **** Apr. 17, 2018**

- (54) **DISPLAY PANEL OR SCREEN WITH GRAPHICAL USER INTERFACE**
- (71) Applicant: **Verizon Patent and Licensing Inc.**,
Arlington, VA (US)
- (72) Inventor: **Michelle Felt**, Randolph, NJ (US)
- (73) Assignee: **Verizon Patent and Licensing Inc.**,
Basking Ridge, NJ (US)
- (**) Term: **15 Years**
- (21) Appl. No.: **29/543,863**
- (22) Filed: **Oct. 28, 2015**

| | | | | |
|-----------|------|--------|----------------|-------------|
| 6,549,219 | B2 * | 4/2003 | Selker | G06F 3/0482 |
| | | | | 345/902 |
| D474,195 | S * | 5/2003 | Kates | D14/485 |
| D478,912 | S * | 8/2003 | Johnson | D14/485 |
| D494,186 | S | 8/2004 | Johnson | |
| D500,766 | S | 1/2005 | Hanisch et al. | |
| D521,019 | S | 5/2006 | Ording | |
| D523,871 | S * | 6/2006 | Hally | D14/487 |
| D524,321 | S * | 7/2006 | Hally | D14/487 |
| D525,984 | S * | 8/2006 | Hally | D14/487 |
| D528,559 | S * | 9/2006 | Hally | D14/487 |
| D538,296 | S | 3/2007 | Sadler et al. | |
| D540,811 | S * | 4/2007 | Sadler | D14/486 |
| D544,495 | S * | 6/2007 | Evans | D14/488 |
| D550,691 | S * | 9/2007 | Hally | D14/486 |
| D550,696 | S * | 9/2007 | Kortum | D14/491 |
| D564,531 | S * | 3/2008 | Sadler | D14/487 |
| D570,861 | S | 6/2008 | Sadler et al. | |

(Continued)

Related U.S. Application Data

- (63) Continuation of application No. 29/495,791, filed on Jul. 3, 2014.
- (51) **LOC (11) Cl.** **14-04**
- (52) **U.S. Cl.**
USPC **D14/485**
- (58) **Field of Classification Search**
USPC D14/485, 486, 488
CPC G06F 3/04883; G06F 3/0482; G06F 3/017
See application file for complete search history.

References Cited

U.S. PATENT DOCUMENTS

| | | | | |
|-----------|-----|---------|-------------------|---------|
| D385,545 | S * | 10/1997 | Levin | D14/489 |
| D396,455 | S * | 7/1998 | Bier | D14/489 |
| D397,101 | S * | 8/1998 | Bier | D14/489 |
| 5,790,820 | A | 8/1998 | Vayda et al. | |
| 5,914,717 | A | 6/1999 | Kleewein et al. | |
| D423,484 | S * | 4/2000 | Dangelmaier | D14/485 |
| D436,599 | S * | 1/2001 | Greene | D14/490 |
| D439,584 | S * | 3/2001 | Wang | D14/486 |
| D440,575 | S * | 4/2001 | Wang | D14/486 |
| D453,167 | S * | 1/2002 | Hasegawa | D14/489 |

OTHER PUBLICATIONS

Rosenthal, "All Things Considered image", My Kingdom for Some Structure, Napkin #2-All Things Considered image, <http://transom.org/2013/my-kingdom-for-some-structure/>, by Rob Rosenthal, posted Mar. 27, 2013.

Primary Examiner — Kevin Rudzinski

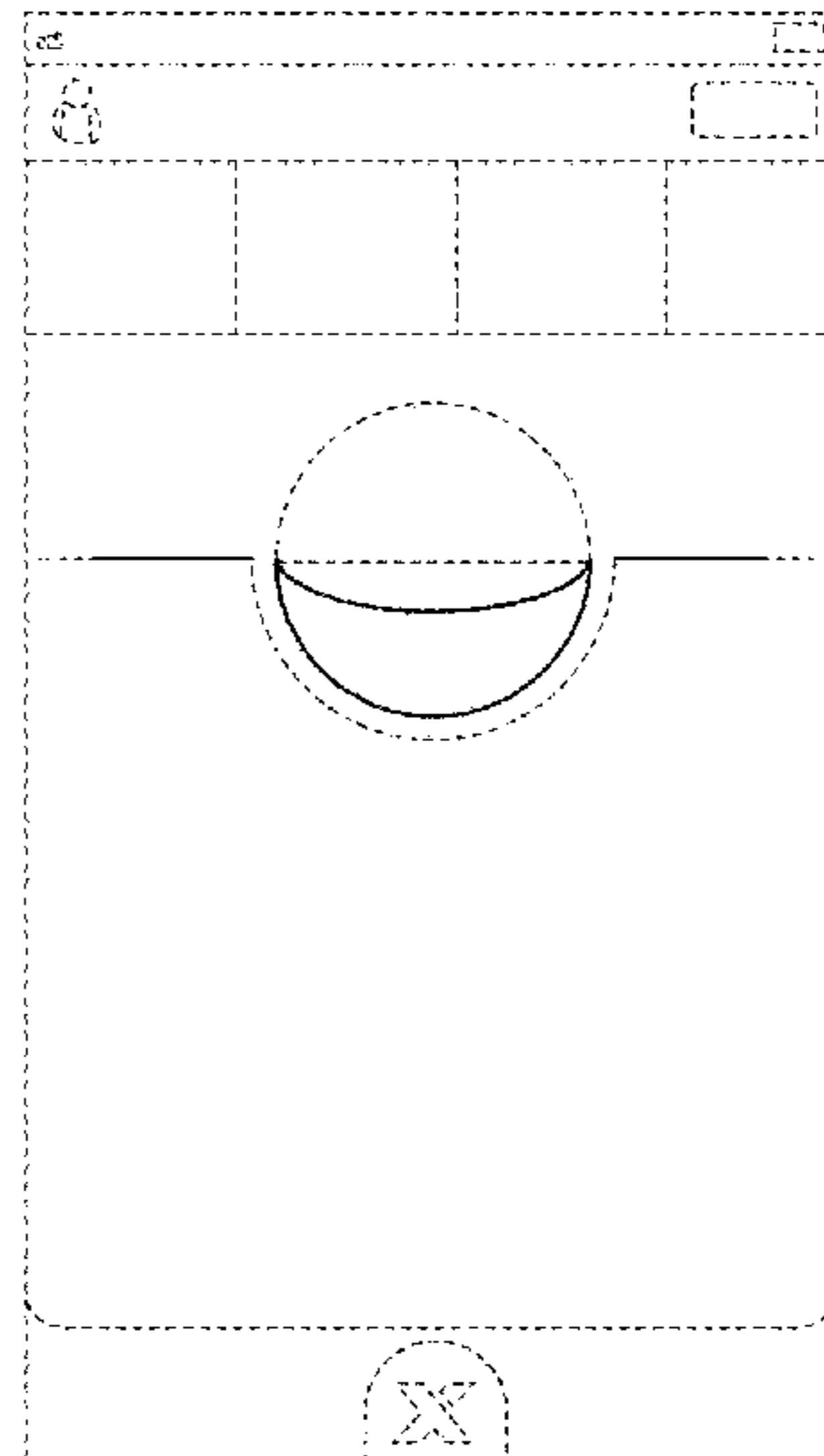
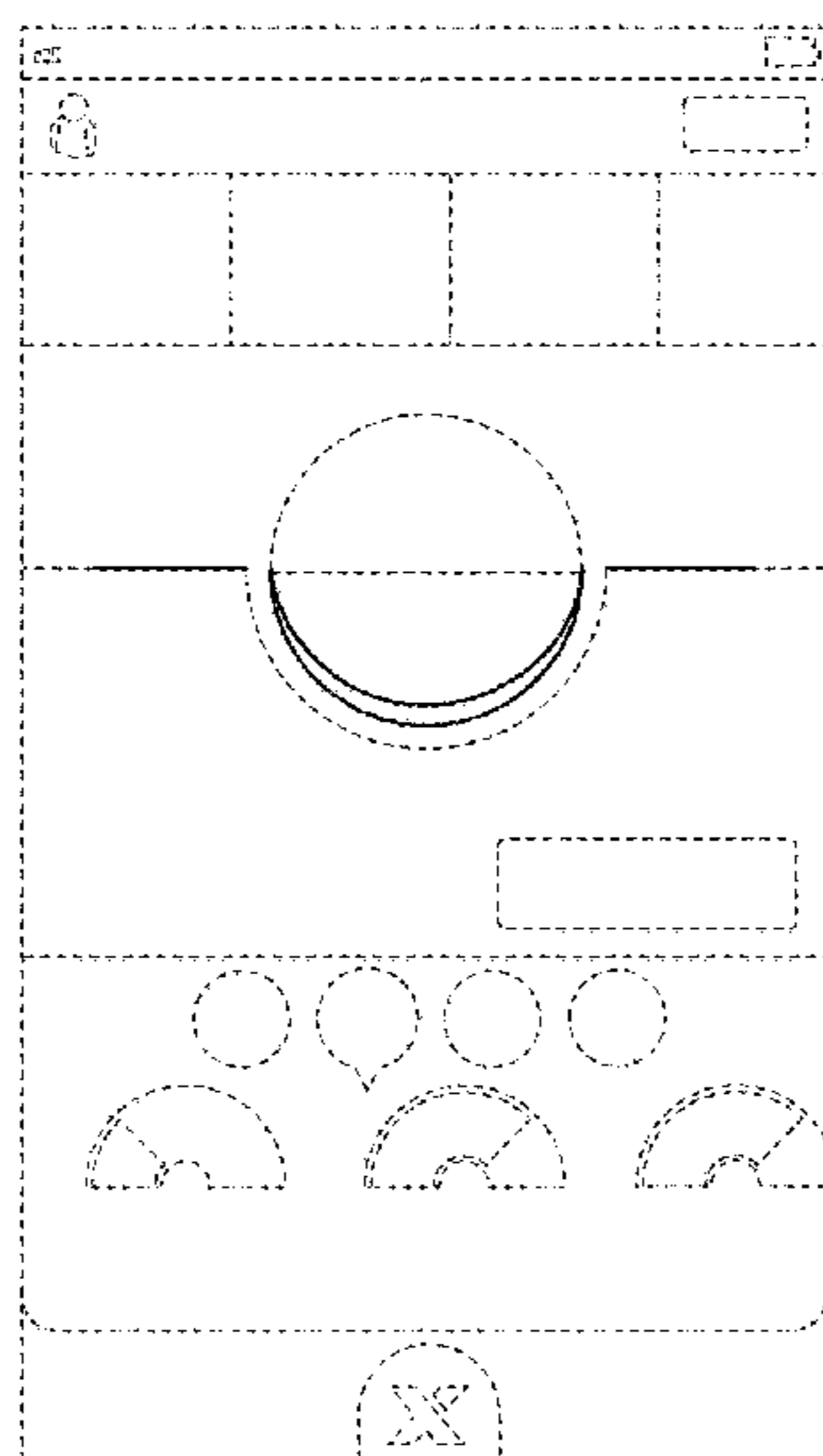
(57) **CLAIM**

The ornamental design for display panel or screen with graphical user interface, as shown and described.

DESCRIPTION

FIG. 1 is a front view of the display panel or screen with graphical user interface showing a first embodiment of my new design; and, FIG. 2 is a front view of a second embodiment thereof. The broken lines in the FIGS. showing the display screen and portions of the graphical user interface are included to show environment and form no part of the claimed design.

1 Claim, 1 Drawing Sheet



(56)

References Cited

U.S. PATENT DOCUMENTS

| | | | |
|----------------|---------|-------------------|-------------------------|
| D573,153 S | 7/2008 | Roever et al. | |
| D576,170 S | 9/2008 | Sadler et al. | |
| D586,359 S * | 2/2009 | Makoski | D14/486 |
| D588,154 S * | 3/2009 | Bouchard | D14/489 |
| D595,309 S | 6/2009 | Sasaki et al. | |
| D602,033 S | 10/2009 | Vu et al. | |
| 7,665,036 B1 | 2/2010 | Lin et al. | |
| D619,614 S * | 7/2010 | O'Mullan | D14/489 |
| D626,133 S | 10/2010 | Murphy et al. | |
| D629,814 S | 12/2010 | Lew | |
| D630,649 S | 1/2011 | Tokunaga et al. | |
| D644,243 S * | 8/2011 | Matas | D14/489 |
| D648,341 S | 11/2011 | Chen | |
| D650,800 S | 12/2011 | Impas et al. | |
| D652,051 S | 1/2012 | Judy et al. | |
| D655,300 S | 3/2012 | Jones et al. | |
| D665,407 S | 8/2012 | Bitran et al. | |
| D667,019 S | 9/2012 | Chaudhri | |
| D670,726 S | 11/2012 | Bitran et al. | |
| D677,180 S * | 3/2013 | Plitkins | D10/49 |
| D681,649 S * | 5/2013 | Fletcher | D14/485 |
| D681,653 S | 5/2013 | Bitran et al. | |
| D687,045 S * | 7/2013 | Plitkins | D14/485 |
| D687,063 S * | 7/2013 | Myung | D14/489 |
| D689,085 S | 9/2013 | Pasceri et al. | |
| D689,509 S | 9/2013 | Convay et al. | |
| D689,511 S | 9/2013 | Convay et al. | |
| D689,874 S * | 9/2013 | Brinda | D14/485 |
| D690,318 S * | 9/2013 | Kluttz | D14/487 |
| D691,171 S * | 10/2013 | Brinda | D14/488 |
| D691,629 S * | 10/2013 | Matas | D14/488 |
| D693,837 S | 11/2013 | Bouchier | |
| 8,605,094 B1 * | 12/2013 | Alfaro | G06T 11/60 345/440 |
| D697,526 S | 1/2014 | Bruck et al. | |
| D697,937 S | 1/2014 | Lee et al. | |
| D697,940 S | 1/2014 | Bitran et al. | |
| D699,747 S | 2/2014 | Pearson et al. | |
| D701,231 S | 3/2014 | Lee | |
| D702,251 S * | 4/2014 | Kotler | D14/487 |
| D704,207 S | 5/2014 | Lee et al. | |
| D705,251 S | 5/2014 | Pearson et al. | |
| D706,803 S | 6/2014 | Rogowski et al. | |
| D706,814 S * | 6/2014 | Phelan | D14/489 |
| D708,199 S * | 7/2014 | Molaro | D14/486 |
| D711,394 S | 8/2014 | Hanson et al. | |
| D714,340 S * | 9/2014 | Mason | D14/489 |
| D714,810 S * | 10/2014 | Lee | D14/485 |
| D715,313 S * | 10/2014 | Hontz, Jr. | D14/485 |
| D715,824 S * | 10/2014 | Molaro | D14/486 |
| D716,316 S * | 10/2014 | Behzadi | D14/485 |
| D718,320 S | 11/2014 | Charles et al. | |
| D718,321 S | 11/2014 | Charles et al. | |
| D719,180 S * | 12/2014 | Liang | D14/486 |
| D720,361 S * | 12/2014 | Mitchell | D14/486 |
| D720,366 S | 12/2014 | Hiltunen et al. | |
| 8,907,952 B2 | 12/2014 | Hautvast | |
| D721,089 S * | 1/2015 | Brinda | D14/486 |
| D722,079 S | 2/2015 | Charles et al. | |
| D722,606 S | 2/2015 | Stroupe et al. | |
| D724,100 S * | 3/2015 | Williams | D14/487 |
| D724,603 S | 3/2015 | Williams et al. | |
| D724,618 S | 3/2015 | Shin | |
| D724,619 S * | 3/2015 | Nguyen | D14/488 |
| D726,197 S | 4/2015 | Kim et al. | |
| D726,216 S | 4/2015 | Tabata et al. | |
| D726,218 S * | 4/2015 | Marianek | D14/489 |
| D729,834 S | 5/2015 | Rezende et al. | |
| D730,367 S * | 5/2015 | Ryan | D14/485 |
| D730,377 S | 5/2015 | Clare | |
| D730,378 S | 5/2015 | Xiong et al. | |
| D730,379 S | 5/2015 | Xiong et al. | |
| 9,024,954 B2 | 5/2015 | Nations et al. | |
| D730,917 S * | 6/2015 | Lee | D14/485 |
| D732,566 S * | 6/2015 | Mitchell | D14/487 |
| D735,733 S * | 8/2015 | Hontz, Jr. | D14/485 |
| D736,231 S | 8/2015 | Gottschlag et al. | |
| D736,780 S | 8/2015 | Wang | |
| D736,792 S * | 8/2015 | Brinda | D14/485 |
| D736,810 S | 8/2015 | Hisada et al. | |
| D737,279 S | 8/2015 | Taniuchi et al. | |
| D738,901 S | 9/2015 | Amin | |
| D740,308 S | 10/2015 | Kim et al. | |
| D740,846 S * | 10/2015 | Mitchell | D14/486 |
| D741,341 S * | 10/2015 | Lee | D14/485 |
| D741,356 S | 10/2015 | Park et al. | |
| D741,890 S * | 10/2015 | Chaudhri | D14/486 |
| D741,896 S * | 10/2015 | Park | D14/487 |
| D742,408 S * | 11/2015 | Park | D14/489 |
| D743,416 S | 11/2015 | Lim et al. | |
| D743,440 S | 11/2015 | Bachman et al. | |
| D743,986 S | 11/2015 | Pan et al. | |
| D744,505 S * | 12/2015 | Wilberding | D14/485 |
| D745,533 S * | 12/2015 | Luo | D14/485 |
| D747,732 S * | 1/2016 | Scalisi | D14/486 |
| 9,237,318 B2 * | 1/2016 | Kasmir | H04N 5/33 |
| D749,107 S | 2/2016 | Amiya | |
| D750,102 S * | 2/2016 | Bates | D14/485 |
| D750,125 S * | 2/2016 | Yang | D14/488 |
| D752,060 S * | 3/2016 | Kim | D14/485 |
| D753,131 S * | 4/2016 | Cuthbert | D14/485 |
| D753,132 S * | 4/2016 | Cuthbert | D14/485 |
| D753,152 S | 4/2016 | Moon et al. | |
| D753,702 S | 4/2016 | Zhou | |
| D753,708 S * | 4/2016 | Yang | G06F 3/04817 D14/488 |
| D753,712 S * | 4/2016 | Lee | D14/489 |
| D754,175 S | 4/2016 | Kim | |
| D754,184 S | 4/2016 | Ng et al. | |
| D754,685 S * | 4/2016 | Carlton | D14/485 |
| D754,699 S * | 4/2016 | Lee | D14/486 |
| D754,711 S * | 4/2016 | Herold | D14/487 |
| D755,215 S | 5/2016 | Lee et al. | |
| D755,216 S | 5/2016 | Lee et al. | |
| D755,819 S * | 5/2016 | Gao | D14/486 |
| D755,821 S * | 5/2016 | Lee | D14/486 |
| D756,398 S * | 5/2016 | Ng | D14/487 |
| D757,750 S | 5/2016 | Tedesco et al. | |
| D757,753 S * | 5/2016 | Jung | D14/485 |
| D757,774 S | 5/2016 | Iwamoto | |
| D757,775 S | 5/2016 | Iwamoto | |
| D758,402 S | 6/2016 | Jeon et al. | |
| D759,079 S | 6/2016 | Carlton et al. | |
| D759,080 S * | 6/2016 | Luo | D14/486 |
| D759,679 S * | 6/2016 | Behar | D14/485 |
| D759,680 S * | 6/2016 | Behar | D14/485 |
| D759,681 S * | 6/2016 | Behar | D14/485 |
| D759,684 S | 6/2016 | Bijlani et al. | |
| D759,702 S * | 6/2016 | Scalisi | D14/487 |
| D759,714 S * | 6/2016 | Behar | D14/489 |
| D760,250 S * | 6/2016 | Myung | D14/485 |
| D760,251 S * | 6/2016 | Myung | D14/485 |
| D760,263 S * | 6/2016 | Ta | D14/486 |
| D760,266 S | 6/2016 | Beaty et al. | |
| D760,739 S * | 7/2016 | Jung | D14/485 |
| D760,769 S * | 7/2016 | Ishii | D14/488 |
| D760,785 S * | 7/2016 | Kim | D14/492 |
| D760,795 S * | 7/2016 | Barajas | D14/492 |
| D762,664 S | 8/2016 | Lee et al. | |
| D763,294 S | 8/2016 | Amin et al. | |
| D764,512 S | 8/2016 | McNeil et al. | |
| D765,102 S | 8/2016 | Lee et al. | |
| D765,109 S | 8/2016 | Kim et al. | |
| D765,115 S * | 8/2016 | Pierson | D14/486 |
| D765,669 S | 9/2016 | Shaw | |
| D766,270 S | 9/2016 | Gandhi et al. | |
| D766,282 S * | 9/2016 | Kaplan | D14/486 |
| D766,959 S | 9/2016 | Valade et al. | |
| D768,143 S * | 10/2016 | Drozd | D14/485 |
| D768,148 S | 10/2016 | Jung et al. | |
| D768,189 S | 10/2016 | Valade et al. | |
| D768,191 S | 10/2016 | Do et al. | |
| D768,702 S * | 10/2016 | Ford | D14/488 |
| D769,885 S * | 10/2016 | Zhu | D14/485 |

(56)

References Cited

U.S. PATENT DOCUMENTS

| | | | | | | | |
|------------------|---------|------------------|------------------------|------------------|---------|---------------------|-------------------------|
| D770,470 S * | 11/2016 | Jin | D14/485 | 2009/0019397 A1 | 1/2009 | Buffet et al. | |
| D771,136 S | 11/2016 | Lee et al. | | 2009/0037813 A1 | 2/2009 | Newman et al. | |
| D772,297 S | 11/2016 | Chaudhri et al. | | 2009/0083662 A1* | 3/2009 | Fitzmaurice | G06F 3/04815 715/810 |
| D773,487 S | 12/2016 | Colley et al. | | 2009/0183100 A1 | 7/2009 | Eom et al. | |
| D774,064 S | 12/2016 | Liu et al. | | 2010/0174987 A1 | 7/2010 | Shin et al. | |
| D775,165 S * | 12/2016 | Sun | D14/486 | 2010/0229130 A1 | 9/2010 | Edge et al. | |
| D775,196 S | 12/2016 | Huang et al. | | 2010/0259375 A1* | 10/2010 | Ferren | B60K 35/00 340/462 |
| D777,179 S * | 1/2017 | Burns | D14/485 | 2011/0004835 A1* | 1/2011 | Yanchar | G06Q 10/109 715/763 |
| D777,180 S | 1/2017 | Kim et al. | | 2011/0055760 A1 | 3/2011 | Drayton et al. | |
| D777,182 S * | 1/2017 | Holm | D14/486 | 2011/0167392 A1 | 7/2011 | Dicke et al. | |
| D777,183 S * | 1/2017 | Chevrier | D14/486 | 2011/0202879 A1 | 8/2011 | Stovicek et al. | |
| D777,186 S | 1/2017 | Armstrong | | 2012/0113147 A1 | 5/2012 | Virtanen et al. | |
| D778,308 S * | 2/2017 | Wang | D14/486 | 2012/0124520 A1 | 5/2012 | Samp et al. | |
| D778,941 S * | 2/2017 | Coffman | D14/486 | 2012/0179965 A1 | 7/2012 | Taylor | |
| D778,942 S * | 2/2017 | Coffman | D14/486 | 2012/0203379 A1* | 8/2012 | Sloo | F24F 11/0086 700/276 |
| D781,299 S | 3/2017 | Yun et al. | | 2013/0132887 A1 | 5/2013 | Amin et al. | |
| D783,030 S | 4/2017 | Lee et al. | | 2013/0144674 A1 | 6/2013 | Kim et al. | |
| D784,383 S * | 4/2017 | Hong | D14/486 | 2013/0227433 A1 | 8/2013 | Doray et al. | |
| D785,012 S | 4/2017 | Jou | | 2014/0137020 A1 | 5/2014 | Sharma et al. | |
| 9,619,118 B2 * | 4/2017 | Vakharia | G06F 3/0484 | 2014/0214640 A1* | 7/2014 | Mallikarjunan | G06Q 20/36 705/35 |
| D786,274 S | 5/2017 | Lee et al. | | 2014/0250410 A1 | 9/2014 | Eaves | |
| D787,553 S | 5/2017 | MacCubbin et al. | | 2014/0279584 A1* | 9/2014 | Lee | G06F 3/0481 705/310 |
| D788,157 S * | 5/2017 | Kim | D14/488 | 2014/0282075 A1* | 9/2014 | Alfaro | H04L 67/22 715/751 |
| D789,404 S * | 6/2017 | Modestine | D14/487 | 2015/0155917 A1* | 6/2015 | Won | H04M 1/7253 455/41.1 |
| D789,962 S | 6/2017 | Lee et al. | | 2015/0188720 A1* | 7/2015 | Winter | H04L 12/1813 715/753 |
| D791,165 S * | 7/2017 | Modestine | D14/487 | 2015/0212719 A1 | 7/2015 | Gottschlag et al. | |
| D792,431 S | 7/2017 | Grassle et al. | | | | | |
| 2002/0105534 A1 | 8/2002 | Balassanian | | | | | |
| 2004/0008224 A1* | 1/2004 | Molander | G06F 3/0481 715/764 | | | | |
| 2005/0010955 A1 | 1/2005 | Elia et al. | | | | | |
| 2006/0012572 A1 | 1/2006 | Sakurai et al. | | | | | |
| 2008/0052640 A1 | 2/2008 | Kraft et al. | | | | | |

* cited by examiner

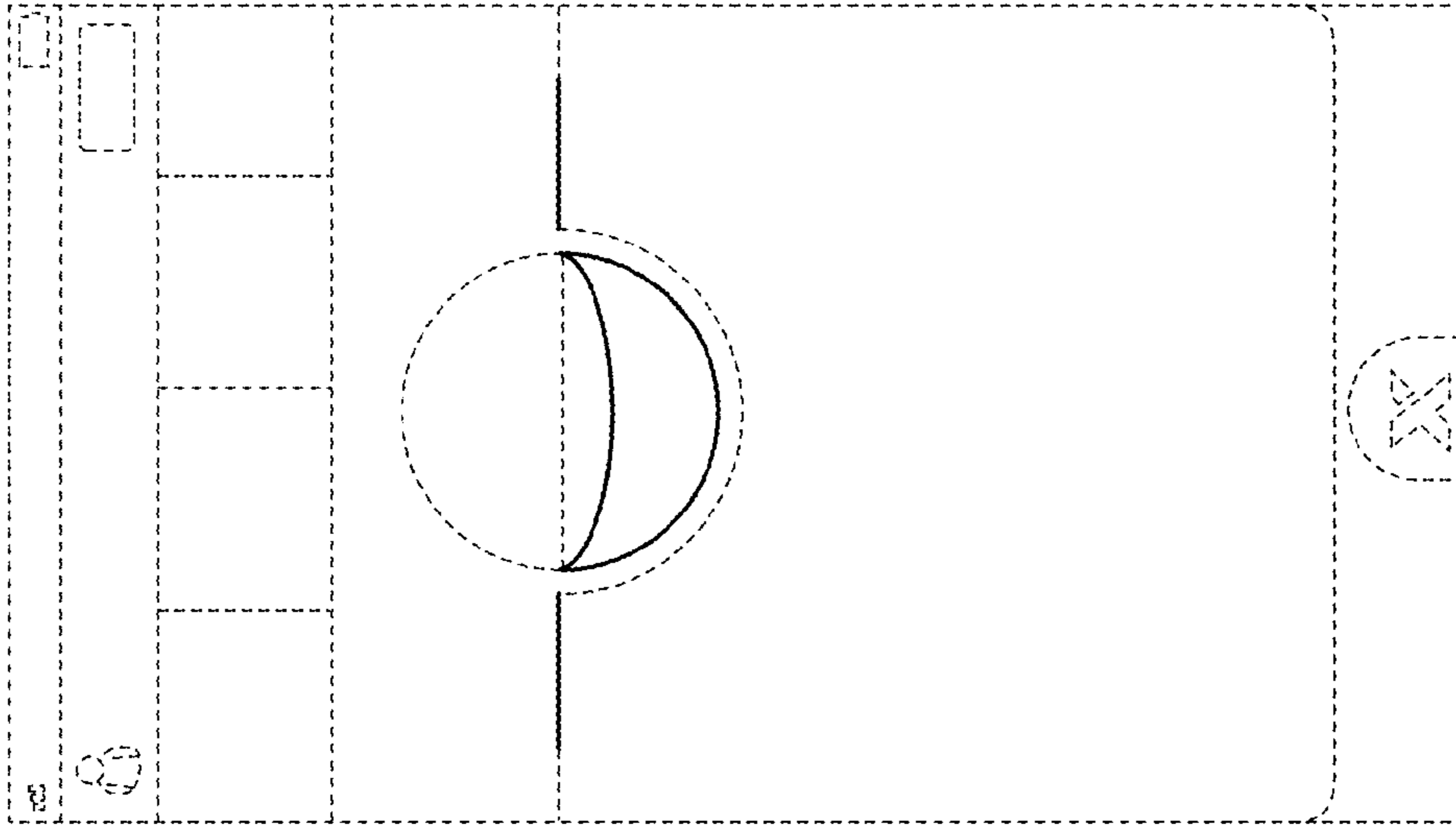


FIG. 2

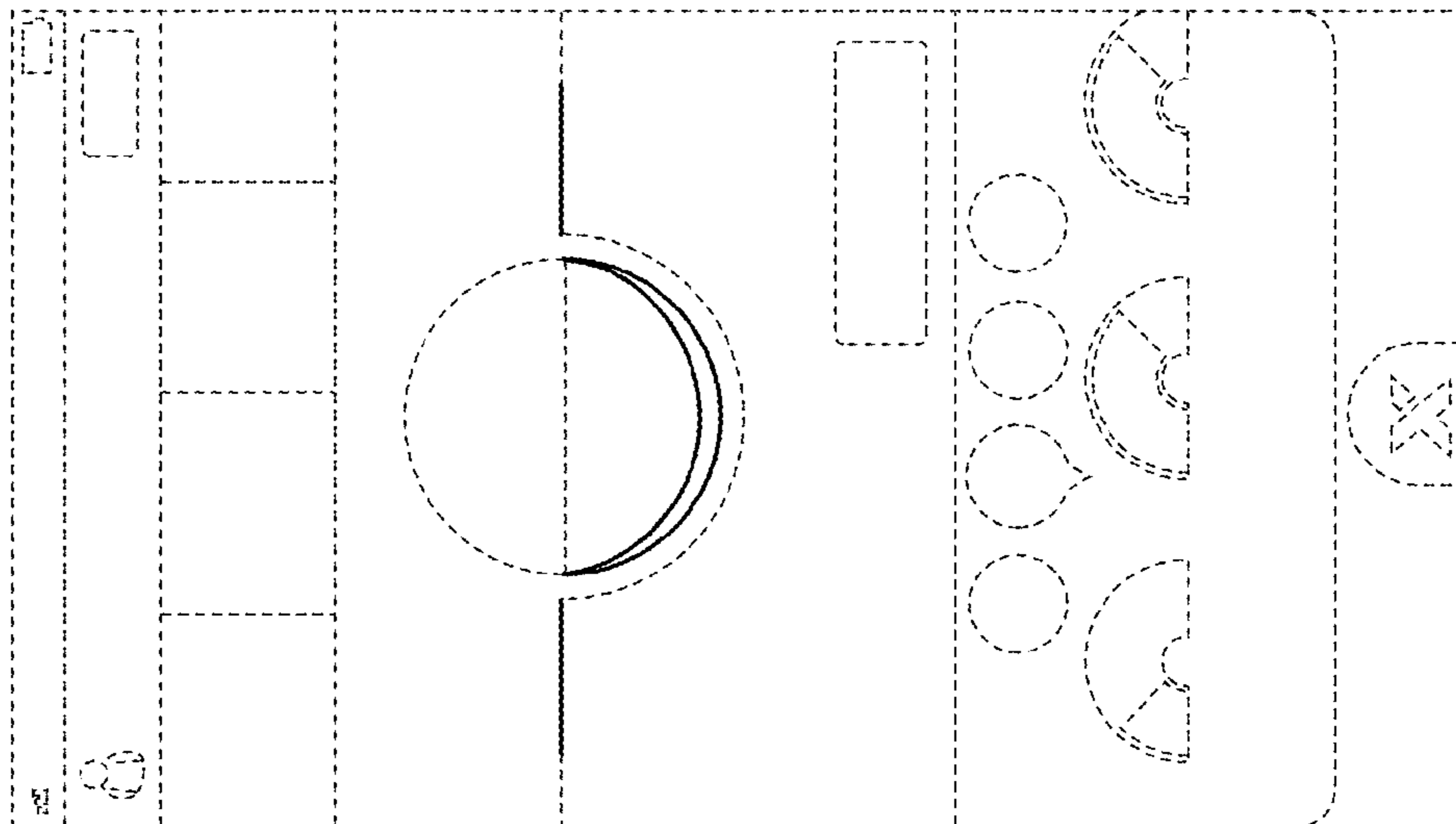


FIG. 1