



US00D815643S

(12) **United States Design Patent** (10) **Patent No.:** **US D815,643 S**
Bowman et al. (45) **Date of Patent:** **** Apr. 17, 2018**

(54) **SUPPORT ARM**

- (71) Applicant: **Innovative Office Products, LLC**, Easton, PA (US)
- (72) Inventors: **Stephen J. Bowman**, Saylorsburg, PA (US); **Peter J. Carrasquillo**, Columbia, MO (US); **Mickey Lam**, Easton, PA (US)
- (73) Assignee: **Innovative Office Products, LLC**, Easton, PA (US)
- (**) Term: **15 Years**

(21) Appl. No.: **29/558,043**

(22) Filed: **Mar. 15, 2016**

(51) **LOC (11) Cl.** **14-02**

(52) **U.S. Cl.**
USPC **D14/452**

(58) **Field of Classification Search**
USPC D14/447-452, 336, 341, 371, 373, 374, D14/375, 376, 377, 126, 127, 128, 129
CPC F16M 11/105; F16M 11/10; F16M 11/048; F16M 11/12; F16M 13/022
See application file for complete search history.

(56) **References Cited**

U.S. PATENT DOCUMENTS

D275,431 S *	9/1984	Usab	248/921
D363,065 S *	10/1995	Karten	D14/452
D435,852 S *	1/2001	Oddsens, Jr.	D14/452
D494,183 S *	8/2004	Wills	D14/452
D537,323 S *	2/2007	Saez	D14/452
D541,807 S	5/2007	Oddsens, Jr. et al.	
D541,808 S	5/2007	Oddsens, Jr. et al.	
D544,489 S	6/2007	Oddsens, Jr. et al.	
7,389,965 B2	6/2008	Oddsens, Jr. et al.	

(Continued)

FOREIGN PATENT DOCUMENTS

CA	2844366 A1 *	12/2012	F16M 11/08
EP	1892453 A1 *	2/2008	F16M 11/10

OTHER PUBLICATIONS

YouTube. <URL: <https://www.youtube.com/watch?v=uxve7A4a4yw>> Jul. 11, 2010. Ergonomic Arm EVO LCD Arm Review.*

Primary Examiner — Bridget L Eland
Assistant Examiner — Lauren McVey
(74) *Attorney, Agent, or Firm* — Design IP

(57) **CLAIM**

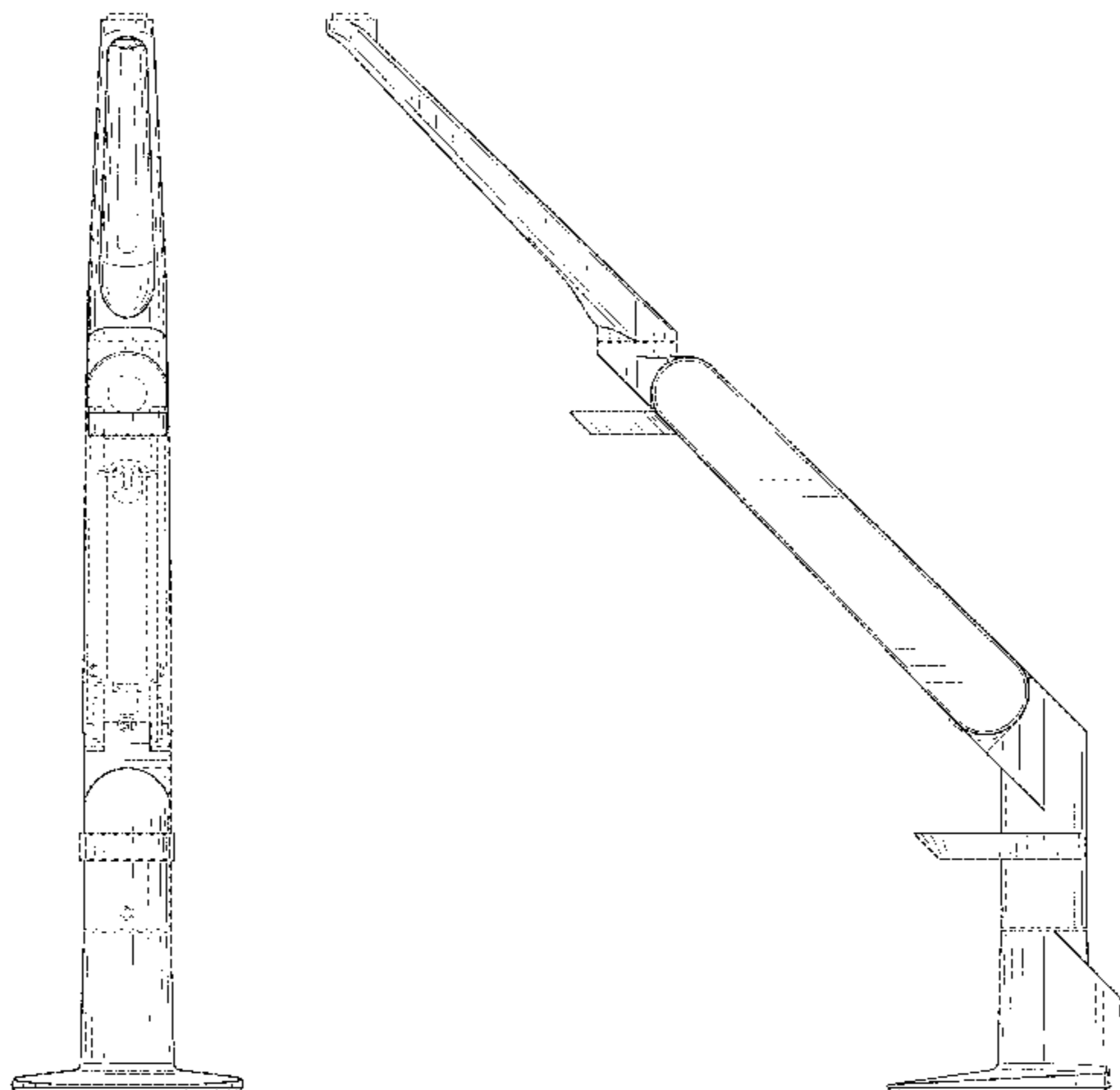
The ornamental design for a support arm, as shown and described.

DESCRIPTION

FIG. 1 is a perspective view of a support arm showing our new design in a first position;
FIG. 2 is a front elevation view thereof;
FIG. 3 is a rear elevation view thereof;
FIG. 4 is a right side elevation view thereof;
FIG. 5 is a left side elevation view thereof;
FIG. 6 is a top plan view thereof;
FIG. 7 is a bottom plan view thereof;
FIG. 8 is a perspective view of the support arm of FIG. 1, in a second position;
FIG. 9 is a front view thereof;
FIG. 10 is a rear view thereof;
FIG. 11 is a right side view thereof;
FIG. 12 is a left side view thereof;
FIG. 13 is a top view thereof; and,
FIG. 14 is a bottom view thereof.

The broken lines that are immediately adjacent to the claim, and define unshaded regions, represent the bounds of the claim and are not included in the claim, while all other broken lines are directed to environment; the broken lines form no part of the claimed design. In addition, the unshaded surfaces throughout the views that directly adjoin the claimed solid line edges shown in the views form no part of the claimed design.

1 Claim, 10 Drawing Sheets



(56)

References Cited

U.S. PATENT DOCUMENTS

D631,052 S * 1/2011 Hung D14/452
D654,503 S * 2/2012 Sapper D14/452
D661,572 S 6/2012 Bowman et al.
D670,554 S 11/2012 Bowman et al.
D675,905 S 2/2013 Bowman et al.
D688,674 S * 8/2013 Lau D14/452
D745,873 S * 12/2015 Xiang D14/452
D801,979 S * 11/2017 Seo D14/451
D805,085 S * 12/2017 Xiang D14/452
2012/0267497 A1 * 10/2012 Bowman F16M 11/2014
248/280.11
2016/0305600 A1 * 10/2016 Bowman F16M 11/10

* cited by examiner

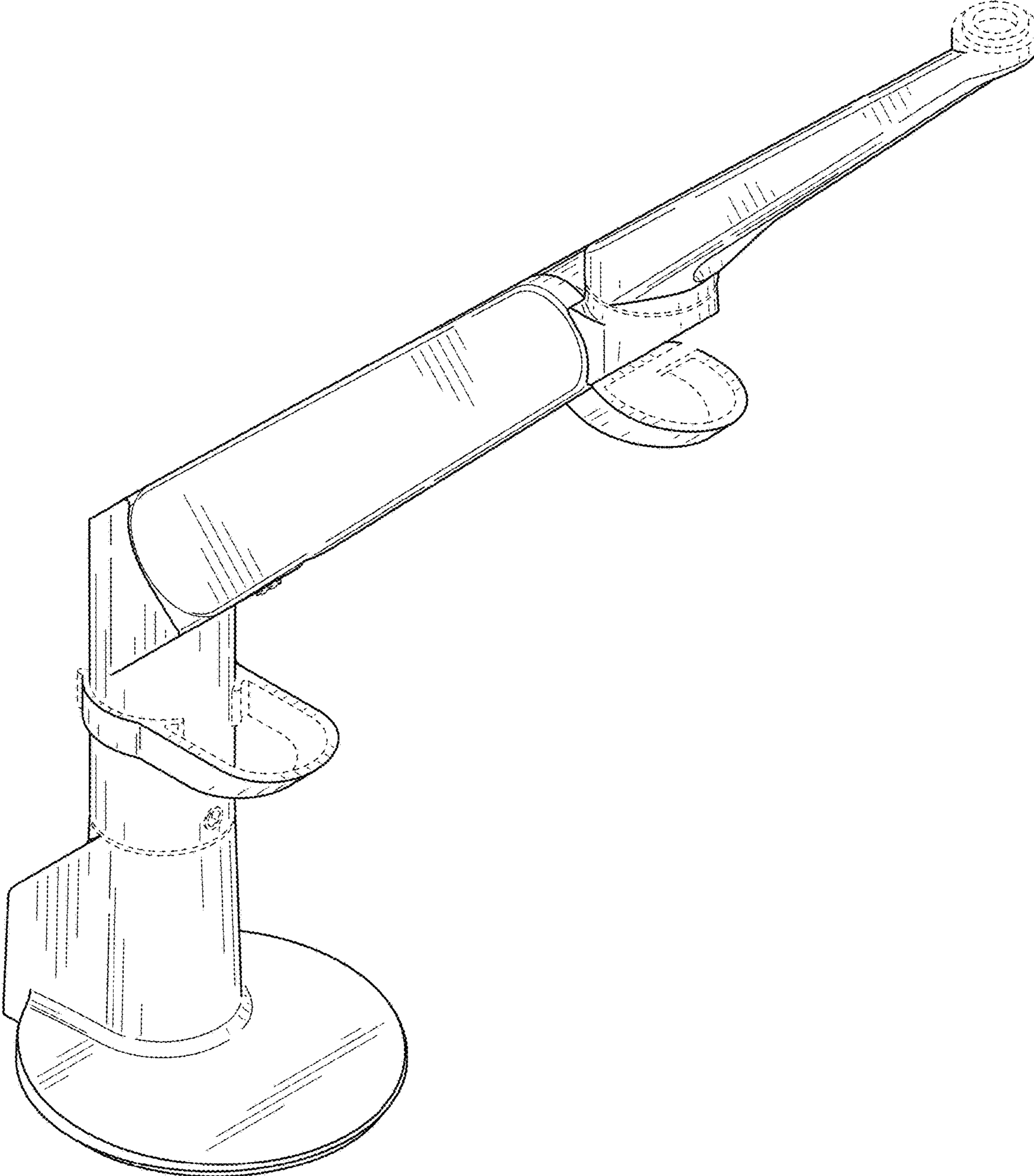


FIG. 1

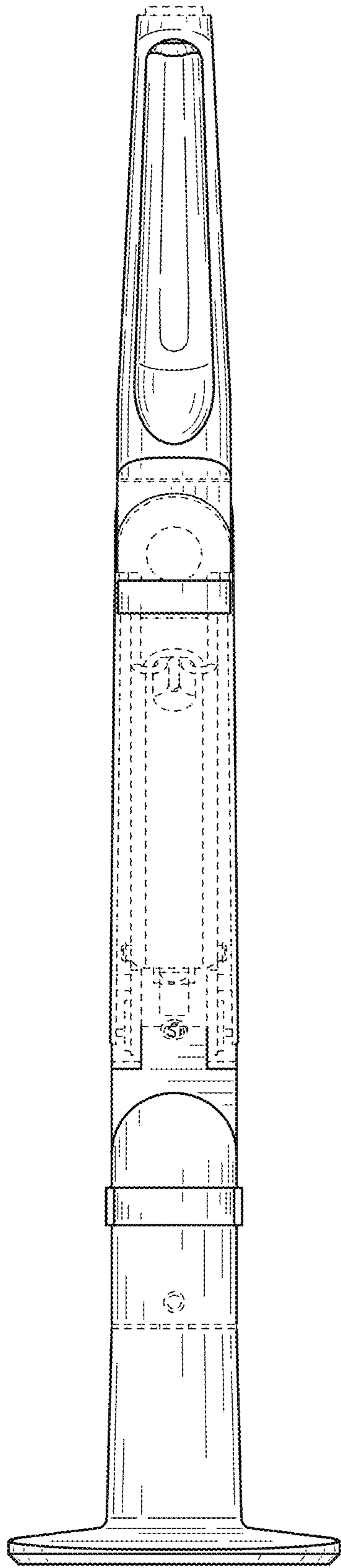


FIG. 2

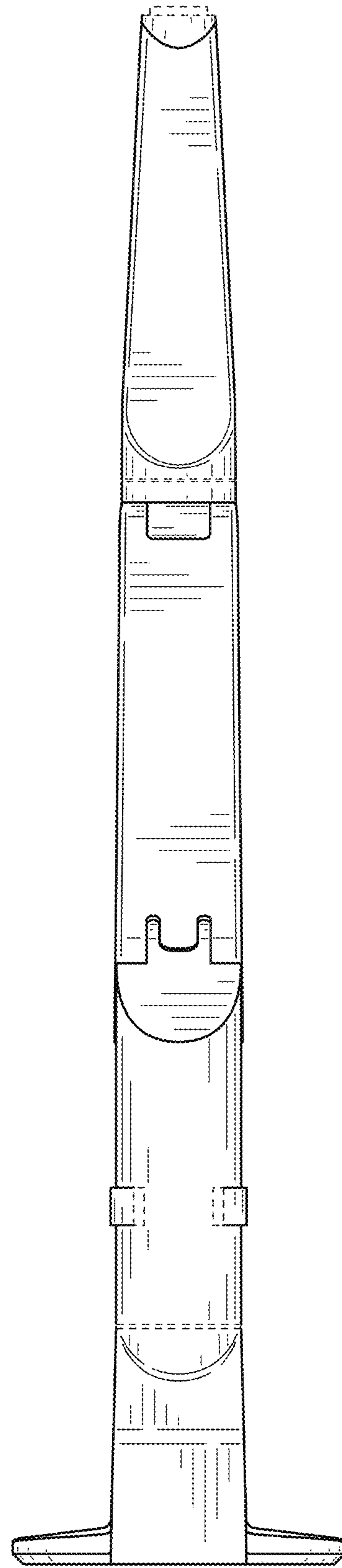


FIG. 3

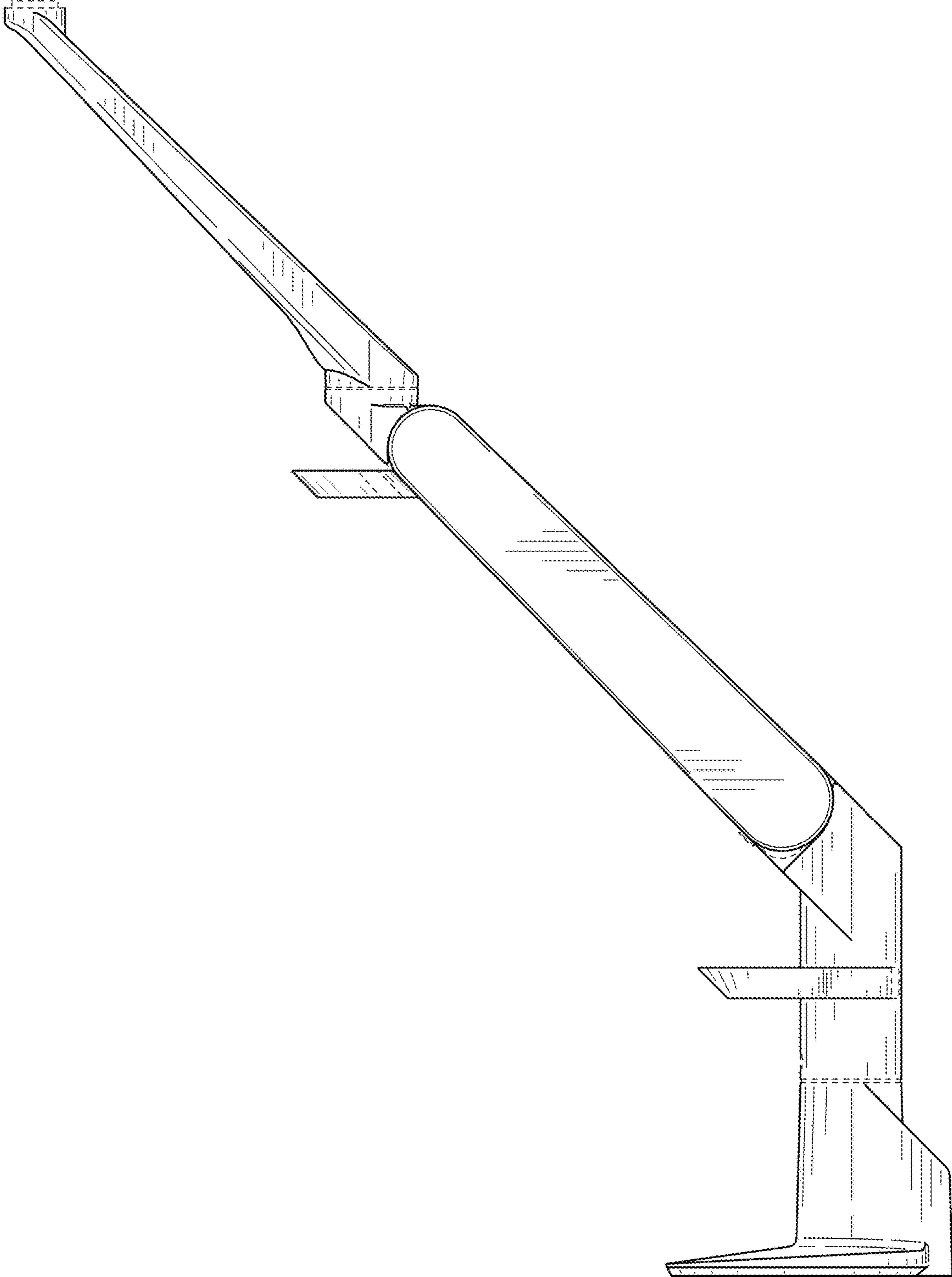


FIG. 4

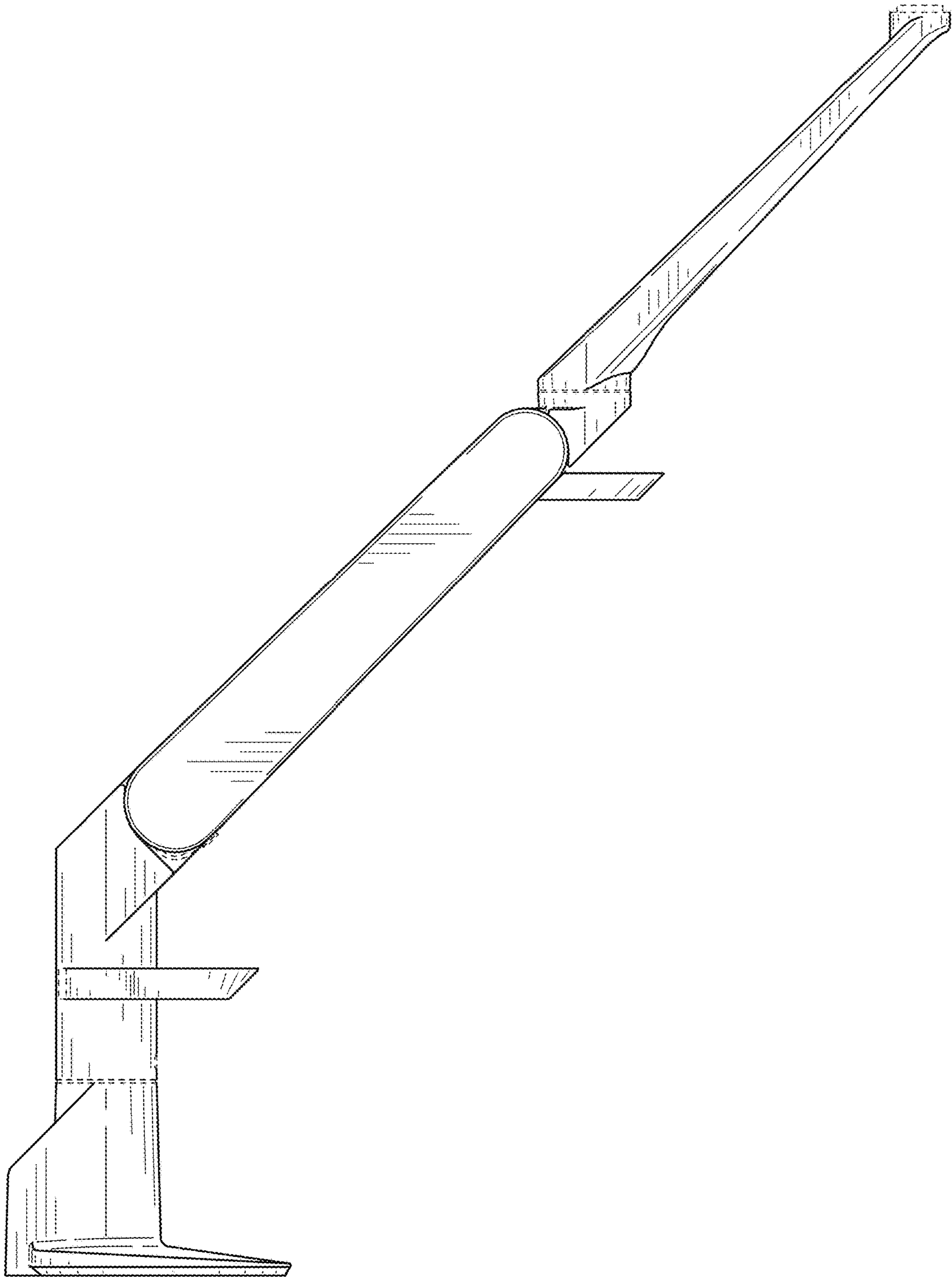


FIG. 5

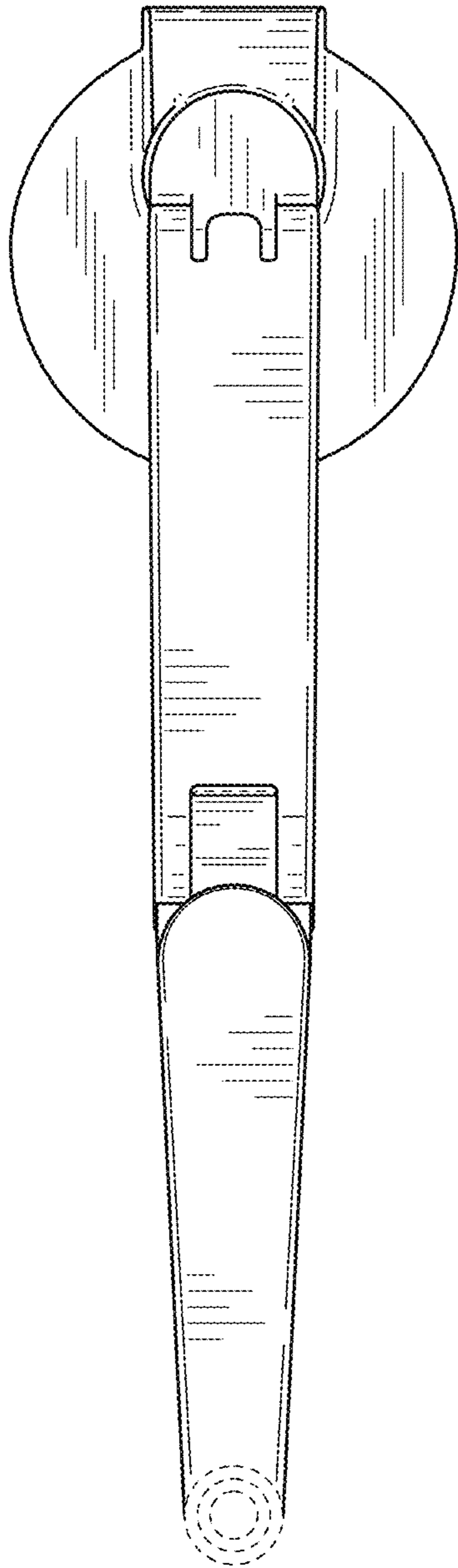


FIG. 6

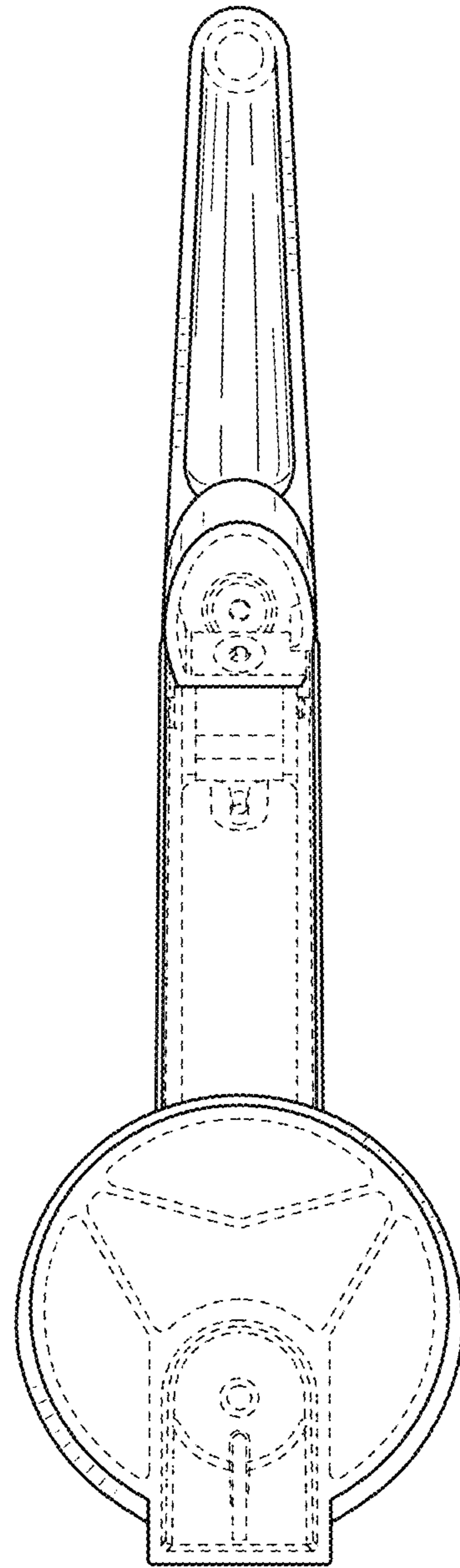


FIG. 7

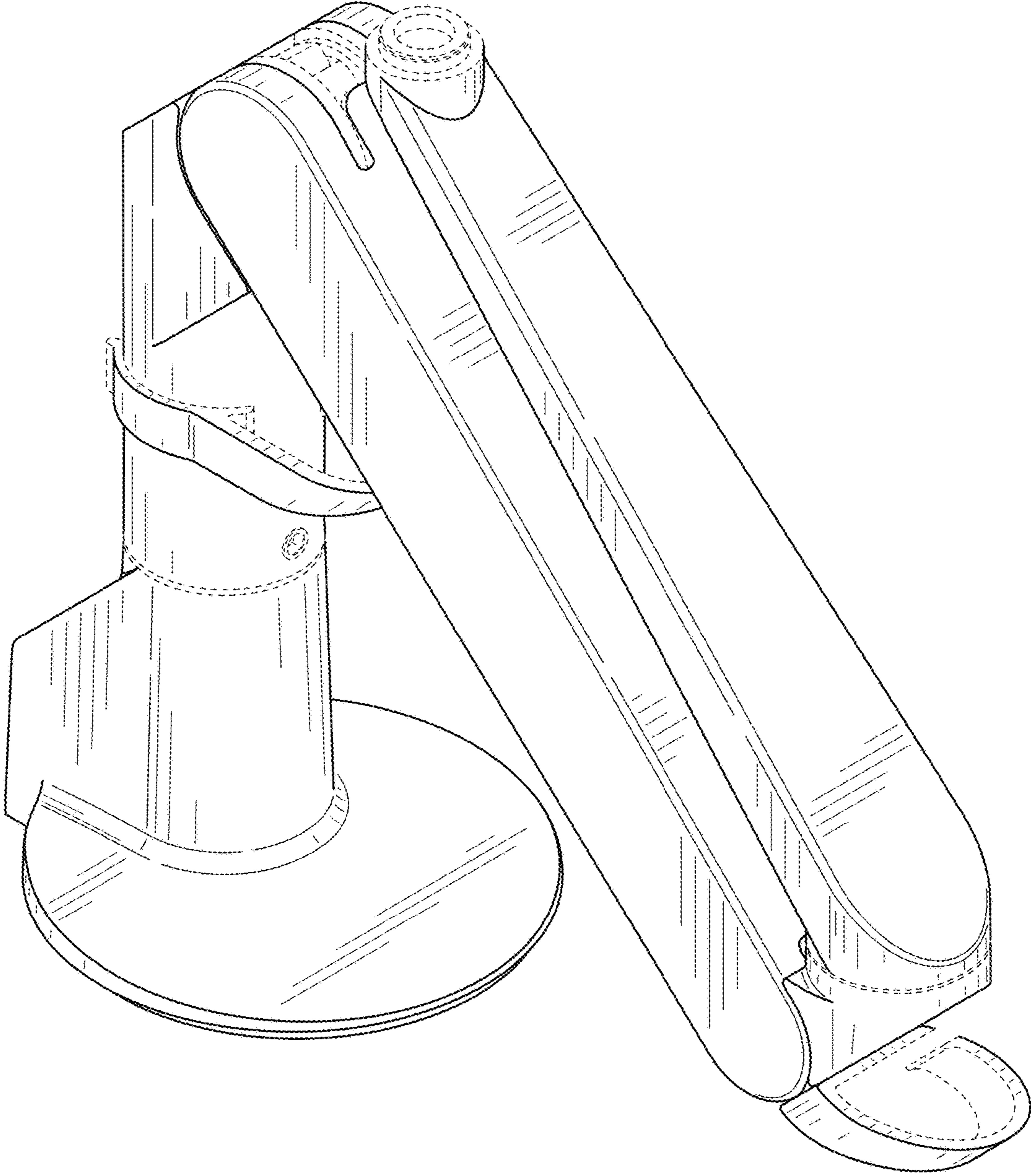


FIG. 8

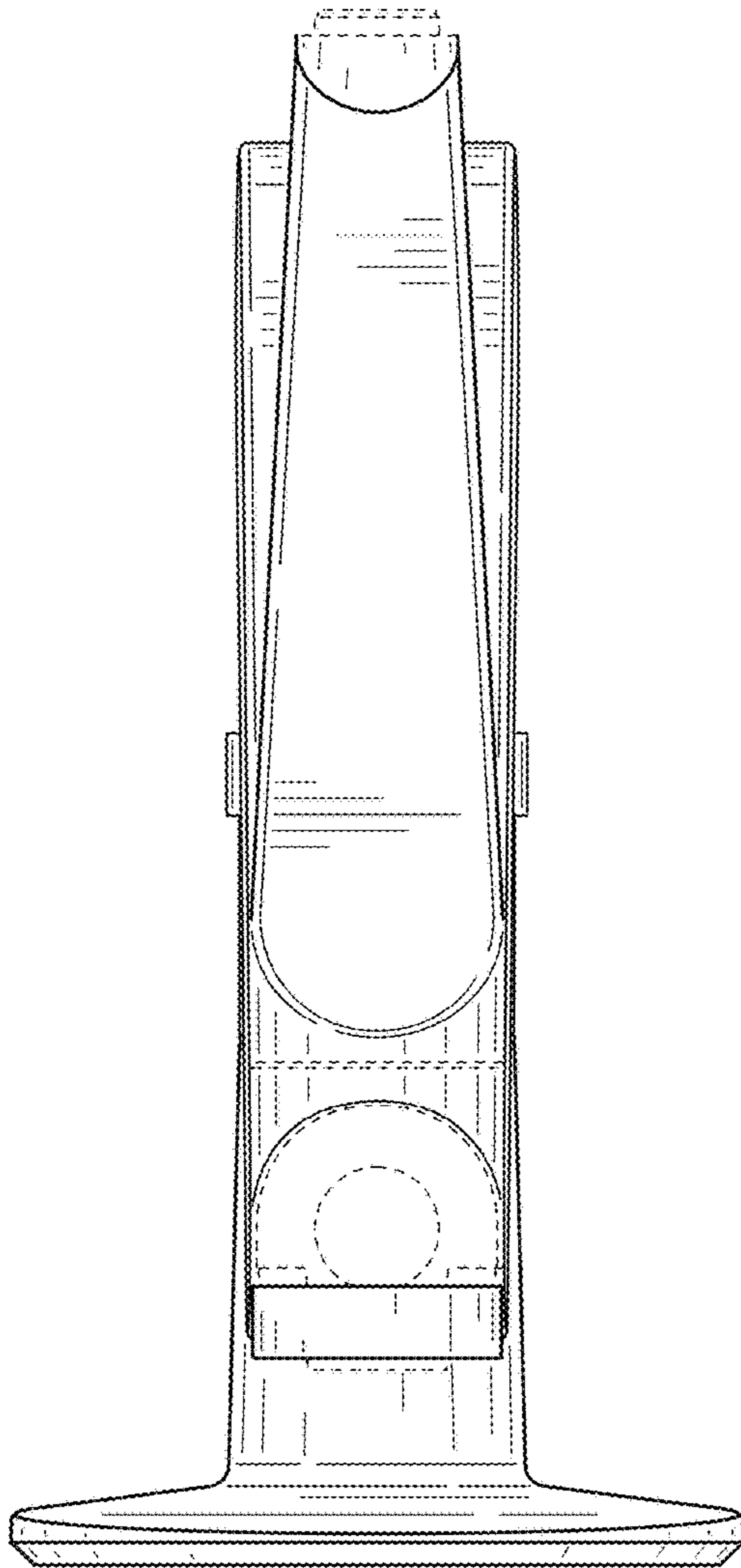


FIG. 9

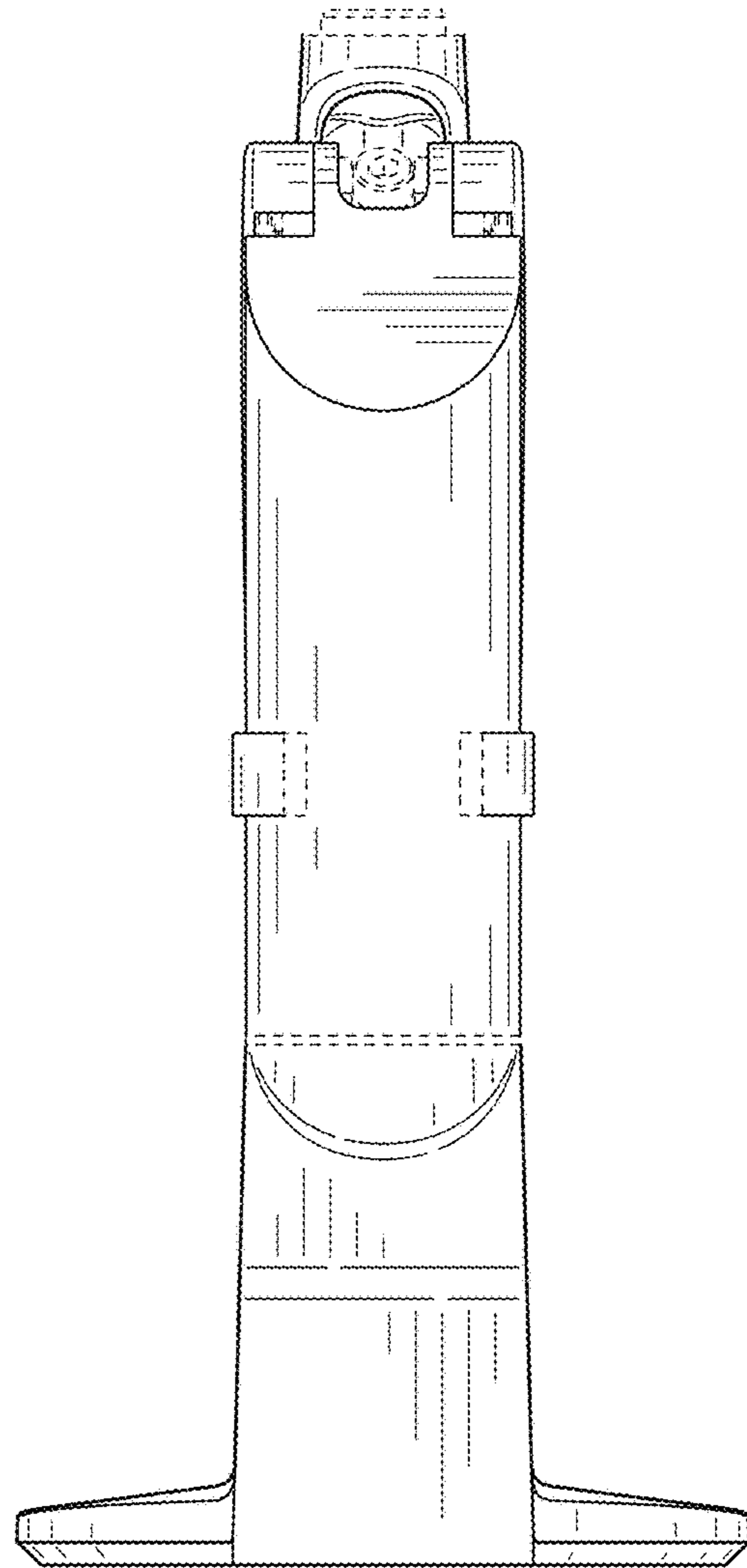


FIG. 10

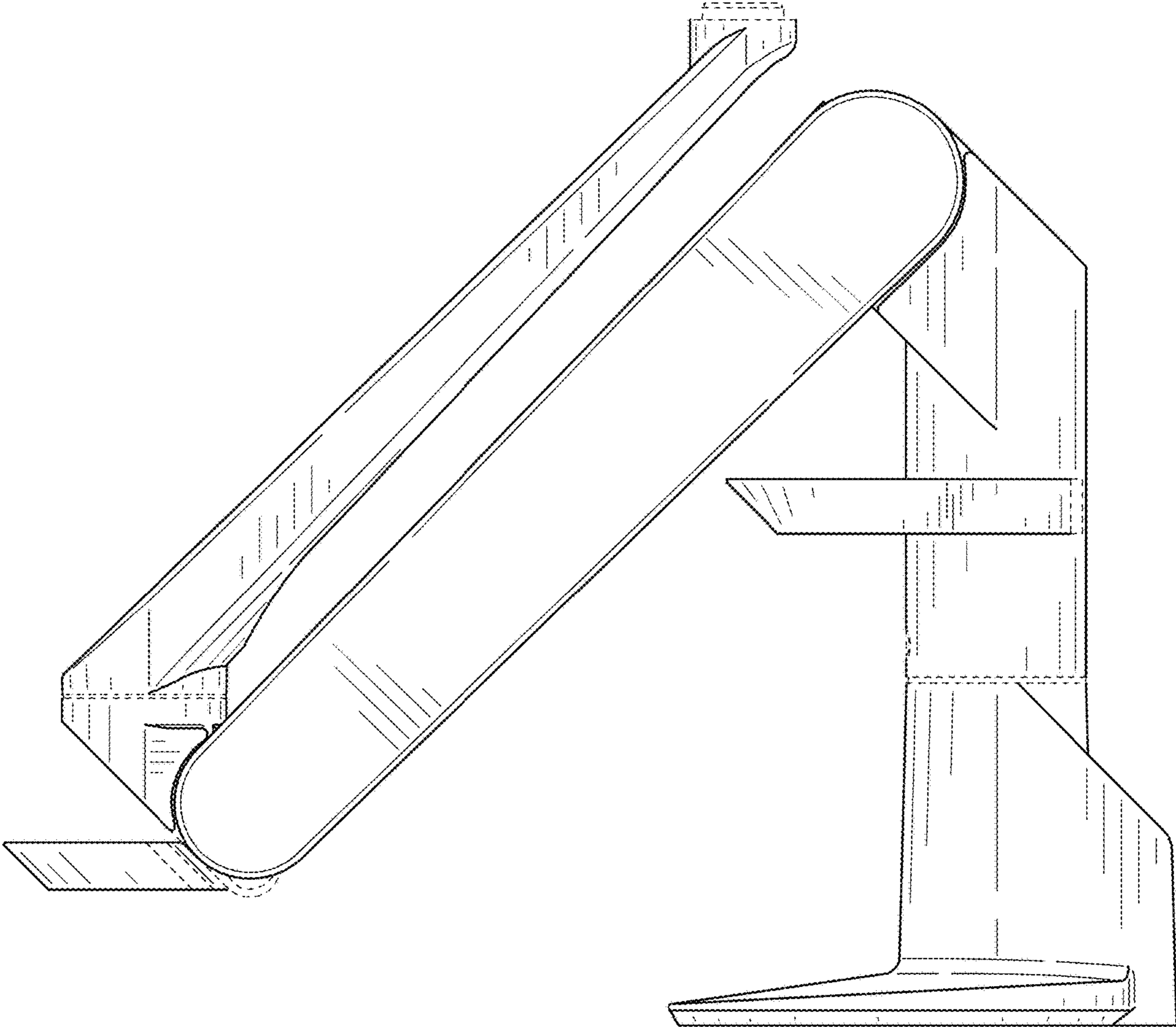


FIG. 11

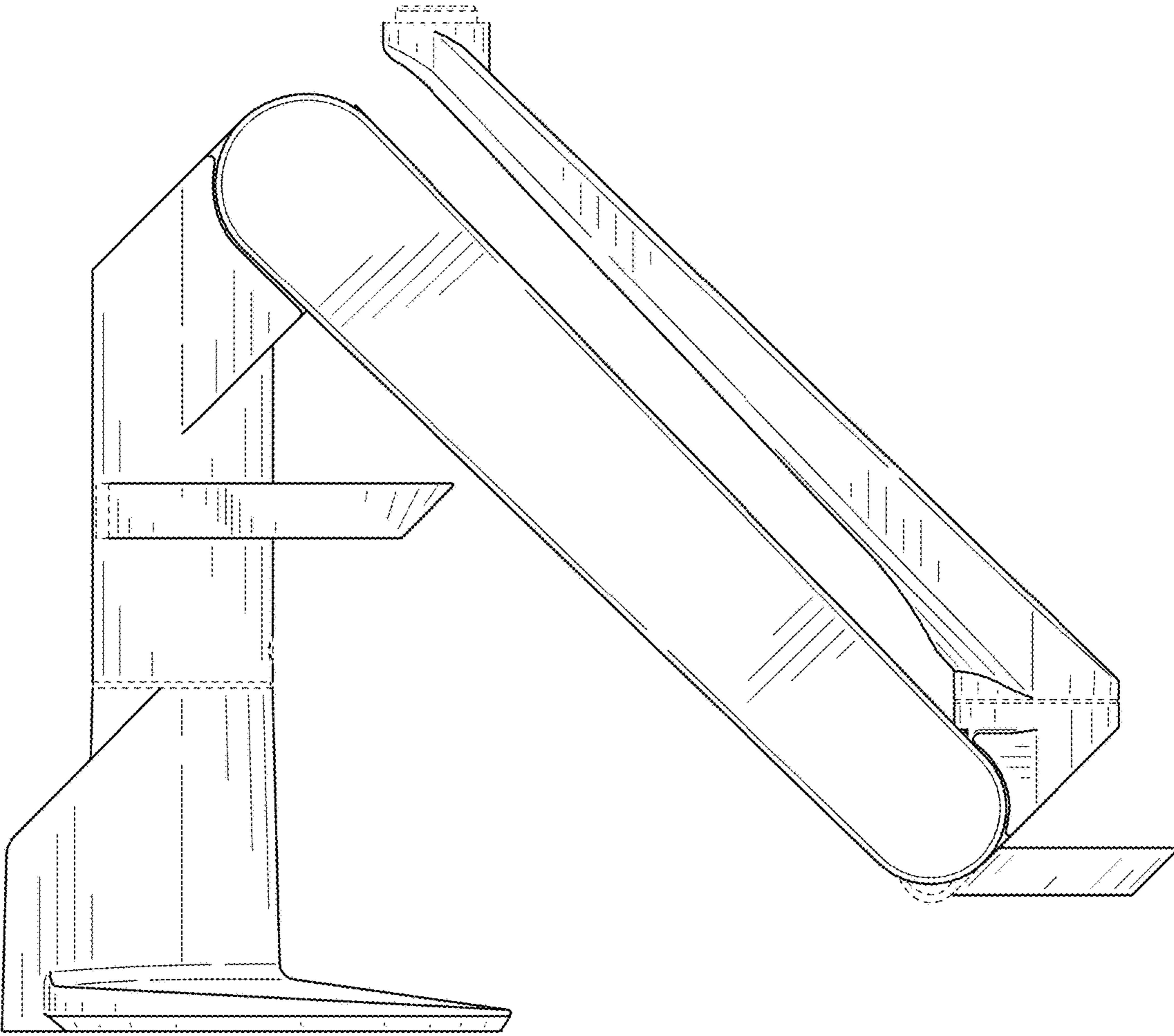


FIG. 12

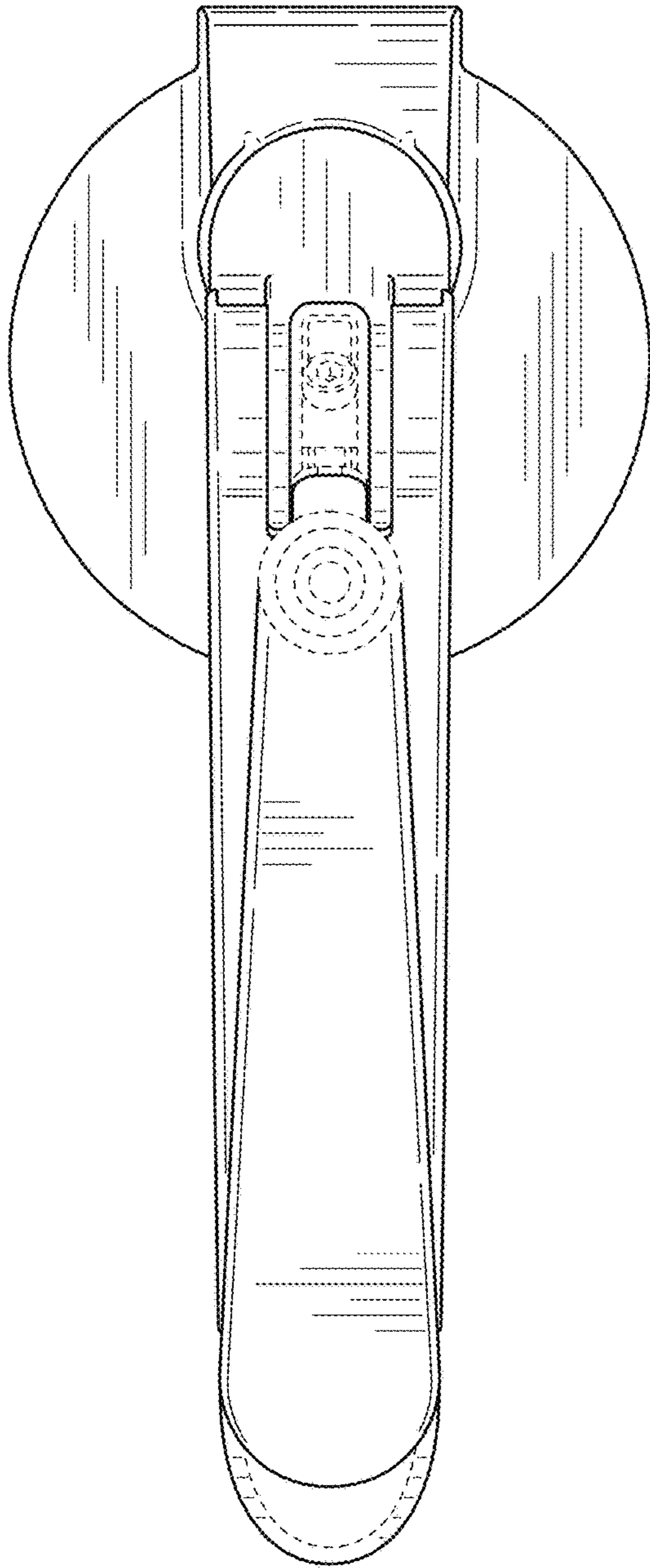


FIG. 13

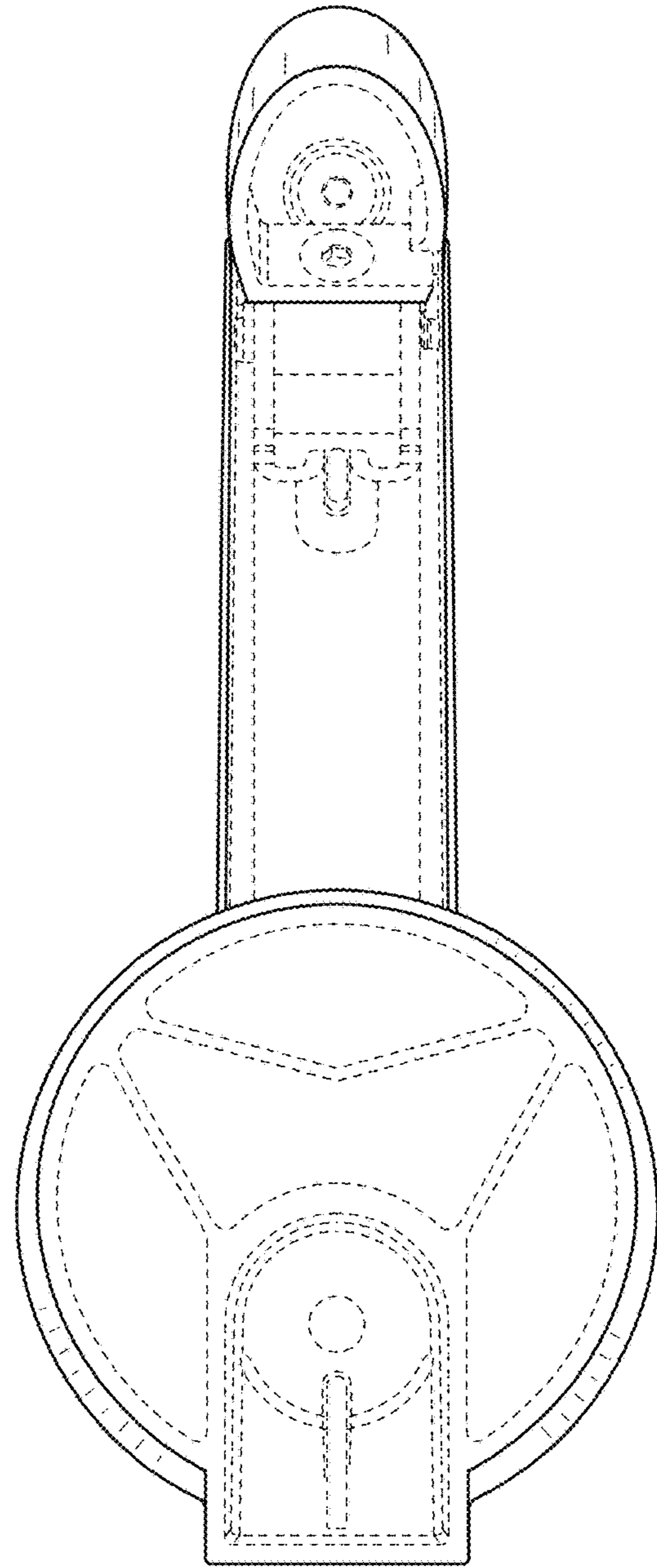


FIG. 14