



US00D815640S

(12) **United States Design Patent**
Nagai et al.

(10) **Patent No.:** **US D815,640 S**
(45) **Date of Patent:** **** Apr. 17, 2018**

(54) **DOCKING UNIT FOR COMPUTER**

(71) Applicant: **Panasonic Intellectual Property Management Co., Ltd., Osaka (JP)**

(72) Inventors: **Nobuharu Nagai, Tokyo (JP); Vitali Bulgarov, Las Vegas, NV (US)**

(73) Assignee: **Panasonic Intellectual Property Management Co., Ltd., Osaka (JP)**

(**) Term: **15 Years**

(21) Appl. No.: **29/604,771**

(22) Filed: **May 19, 2017**

(51) **LOC (11) Cl.** **14-02**

(52) **U.S. Cl.**
USPC **D14/434; D14/391**

(58) **Field of Classification Search**
USPC D14/315-327, 434, 455; D18/1, 2, 7, 11; 235/145 A, 145 R; 341/22, 23; 345/104, 345/156, 168, 169, 173; 361/679.08, 361/679.09, 679.11, 679.26, 679.27
CPC G06F 1/16; G06F 1/1616; G06F 1/1626; G06F 1/1632; G06F 1/1613; G06F 1/1601; G06F 1/1618; G06F 1/162; G06F 1/166; G06F 1/1654; G06F 1/1681; G06F 1/1637; G06F 1/1688; G06F 1/1656; H01R 35/02; H01R 31/065; H03M 11/00; G09B 13/04; H03K 17/94; G09G 5/00; F16M 11/10; H05K 5/00; H04M 1/0237; H02J 7/0042; H02J 7/00; H01M 10/44; Y02E 60/12; Y02T 90/14; Y02T 90/122; Y02T 90/128; Y02T 90/163

See application file for complete search history.

(56) **References Cited**

U.S. PATENT DOCUMENTS

D588,754 S * 3/2009 Litke D29/123
D623,648 S * 9/2010 Hsu D14/324

D624,069 S * 9/2010 Peng D14/324
D680,117 S * 4/2013 Ho D14/318
D702,679 S * 4/2014 Li D14/324
D756,994 S * 5/2016 Shindo D14/315
D757,022 S 5/2016 Dirksen
D766,232 S * 9/2016 Suzuki D14/315
D785,634 S * 5/2017 Iwamoto D14/392
D786,237 S * 5/2017 Ju D14/315
2005/0111182 A1 * 5/2005 Lin G06F 1/1632
361/679.41

(Continued)

Primary Examiner — Freda S Nunn

(74) *Attorney, Agent, or Firm* — Panasonic IP Management; Kerry S. Culpepper

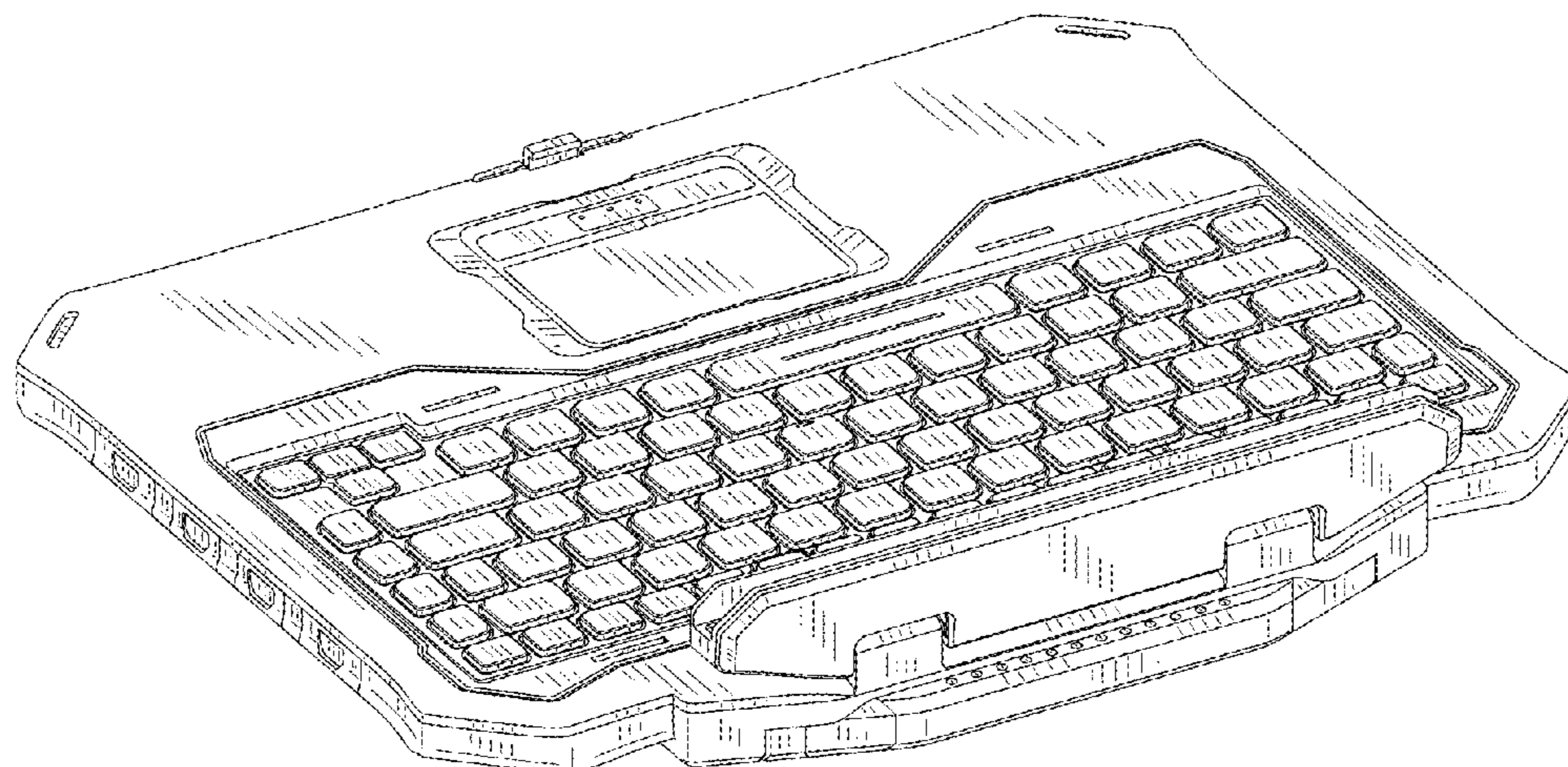
(57) **CLAIM**

We claim the ornamental design for a docking unit for computer, as shown and described.

DESCRIPTION

FIG. 1 is a rear perspective view of a docking unit for computer of the present invention;
FIG. 2 is a front view thereof;
FIG. 3 is a rear view thereof;
FIG. 4 is a first side view thereof;
FIG. 5 is a second side view thereof;
FIG. 6 is a top view thereof;
FIG. 7 is a bottom view thereof;
FIG. 8 is a rear perspective view of the docking unit for computer in a closed position in which a portable computer in broken lines is provided to illustrate an example environment;
FIG. 9 is another rear perspective view of the docking unit for computer in an open position in which the portable computer in broken lines is provided to illustrate another example environment; and,
FIG. 10 is an exploded view thereof shown with the portable computer being detached.
The broken lines in the drawings represent environment that form no part of the claimed design.

1 Claim, 10 Drawing Sheets



(56)

References Cited

U.S. PATENT DOCUMENTS

2011/0255727 A1* 10/2011 Azuchi G06F 1/1616
381/333
2011/0310553 A1* 12/2011 Hsiao G06F 1/1616
361/679.55
2012/0066424 A1* 3/2012 Gentil G06F 1/1616
710/303
2013/0039000 A1* 2/2013 Vicente, Jr. G06F 1/1632
361/679.41
2016/0111830 A1* 4/2016 Hirosawa H01R 13/6683
439/620.21
2016/0149597 A1* 5/2016 Takasu G06F 1/1669
455/127.2

* cited by examiner

FIG. 1

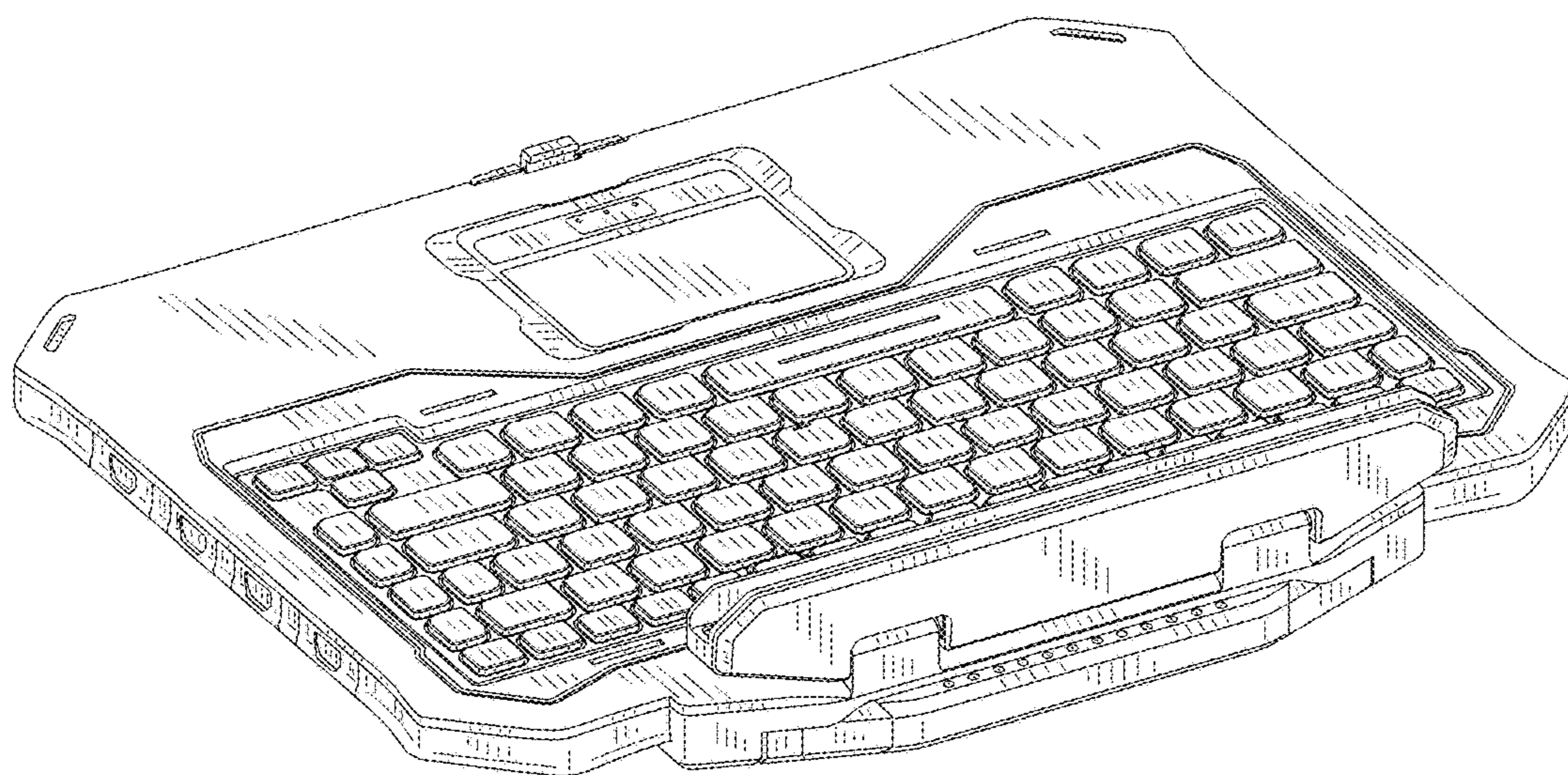


FIG. 2

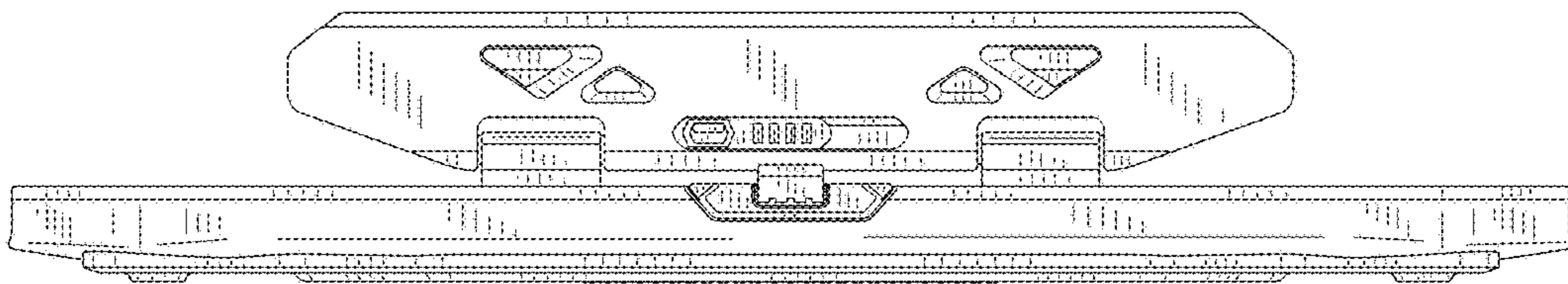


FIG. 3

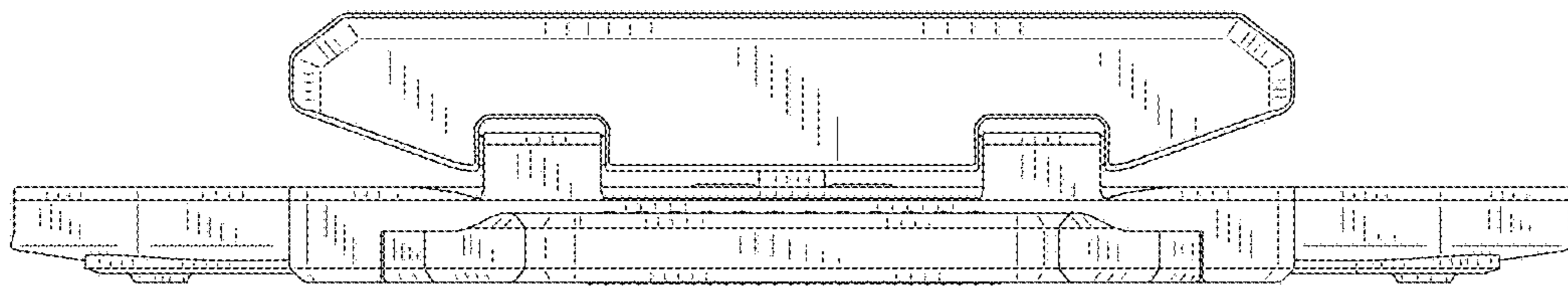


FIG. 4

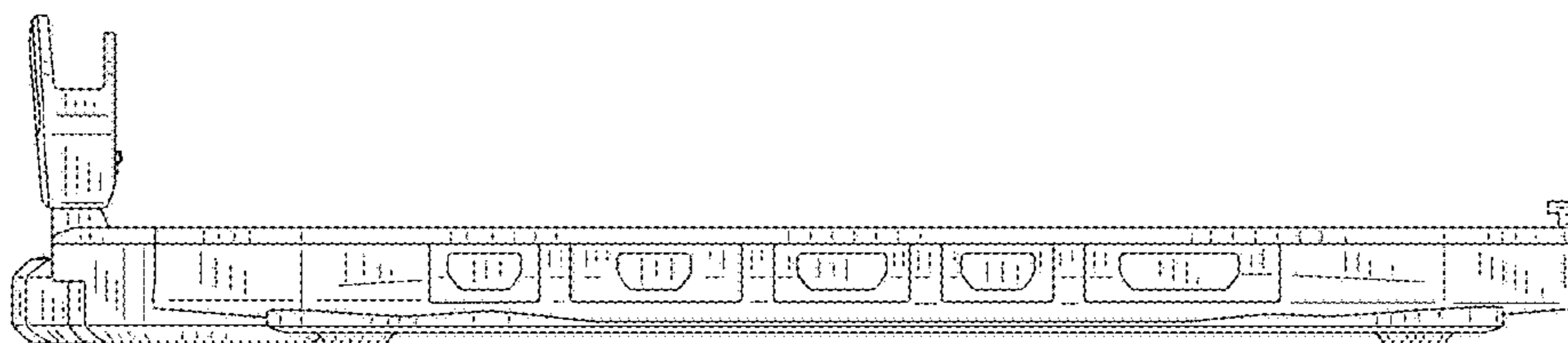


FIG. 5

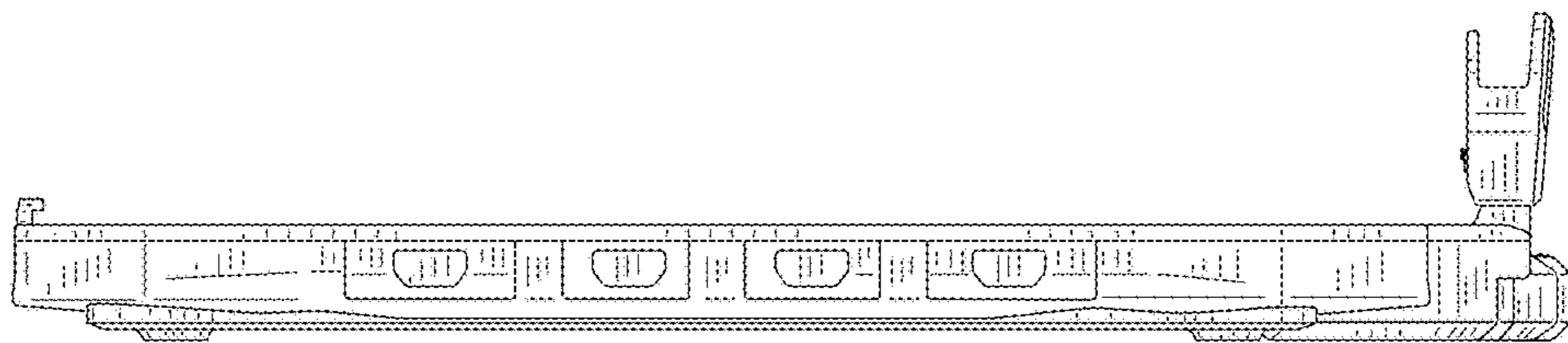


FIG. 6

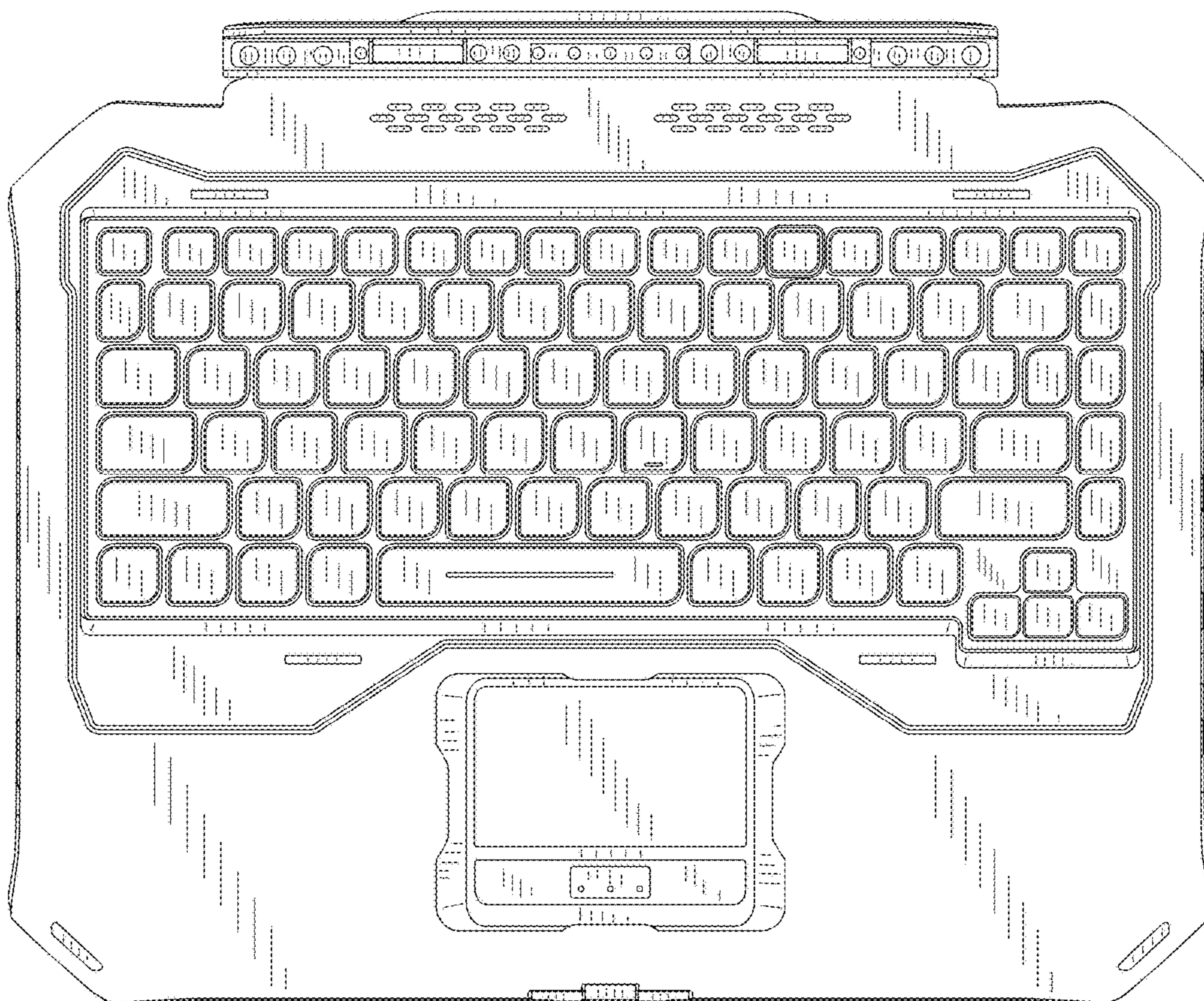


FIG. 7

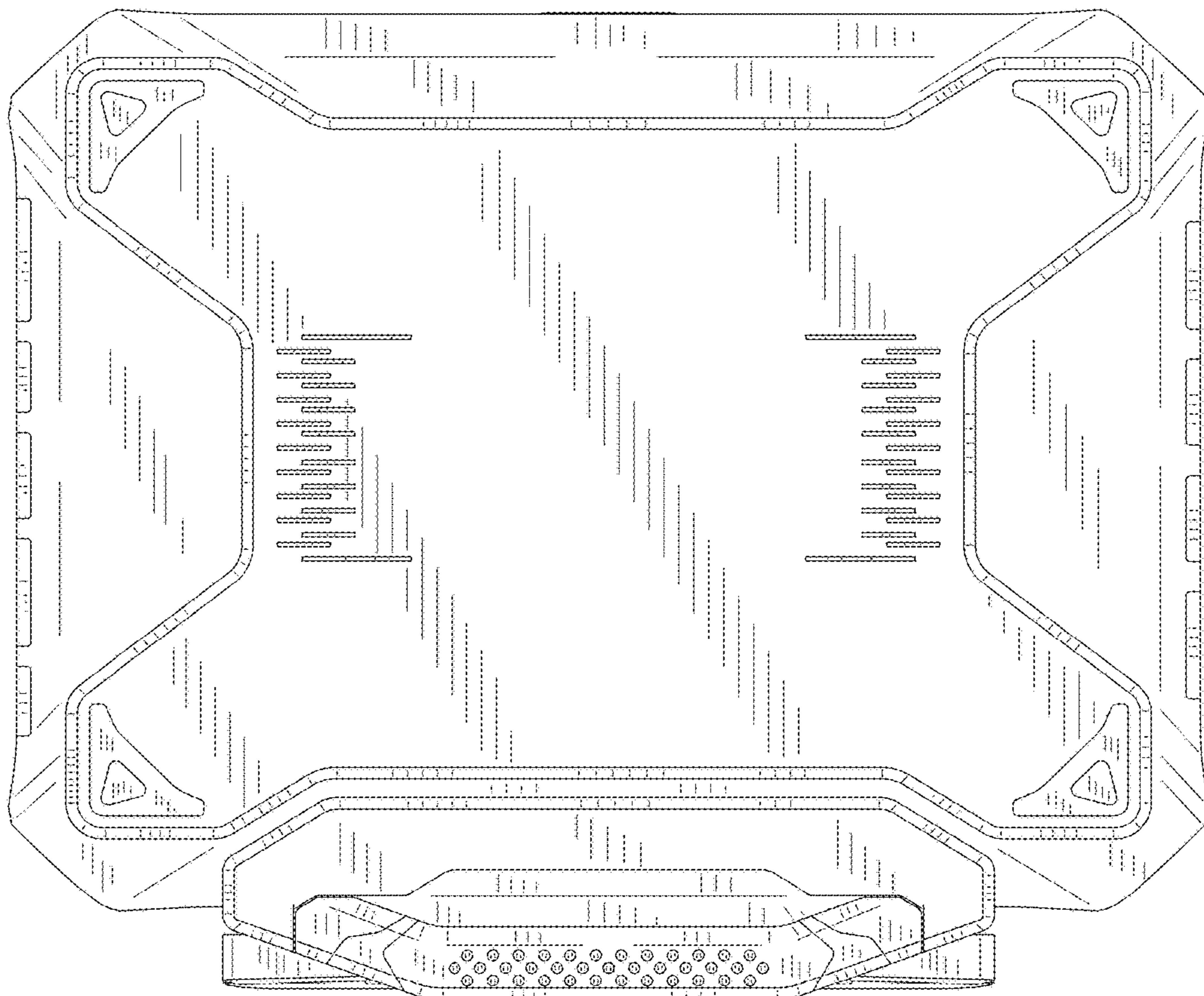


FIG. 8

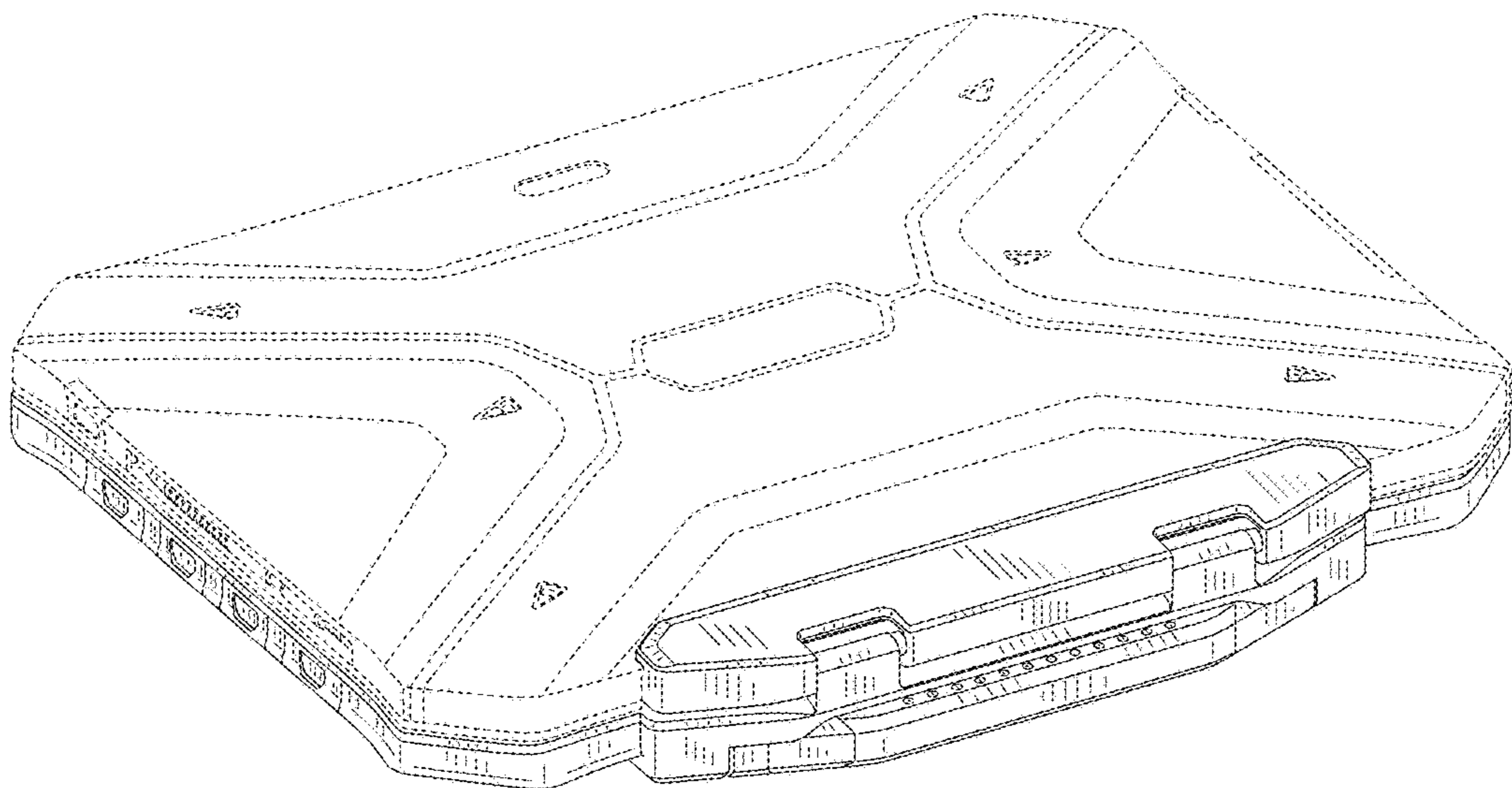


FIG. 9

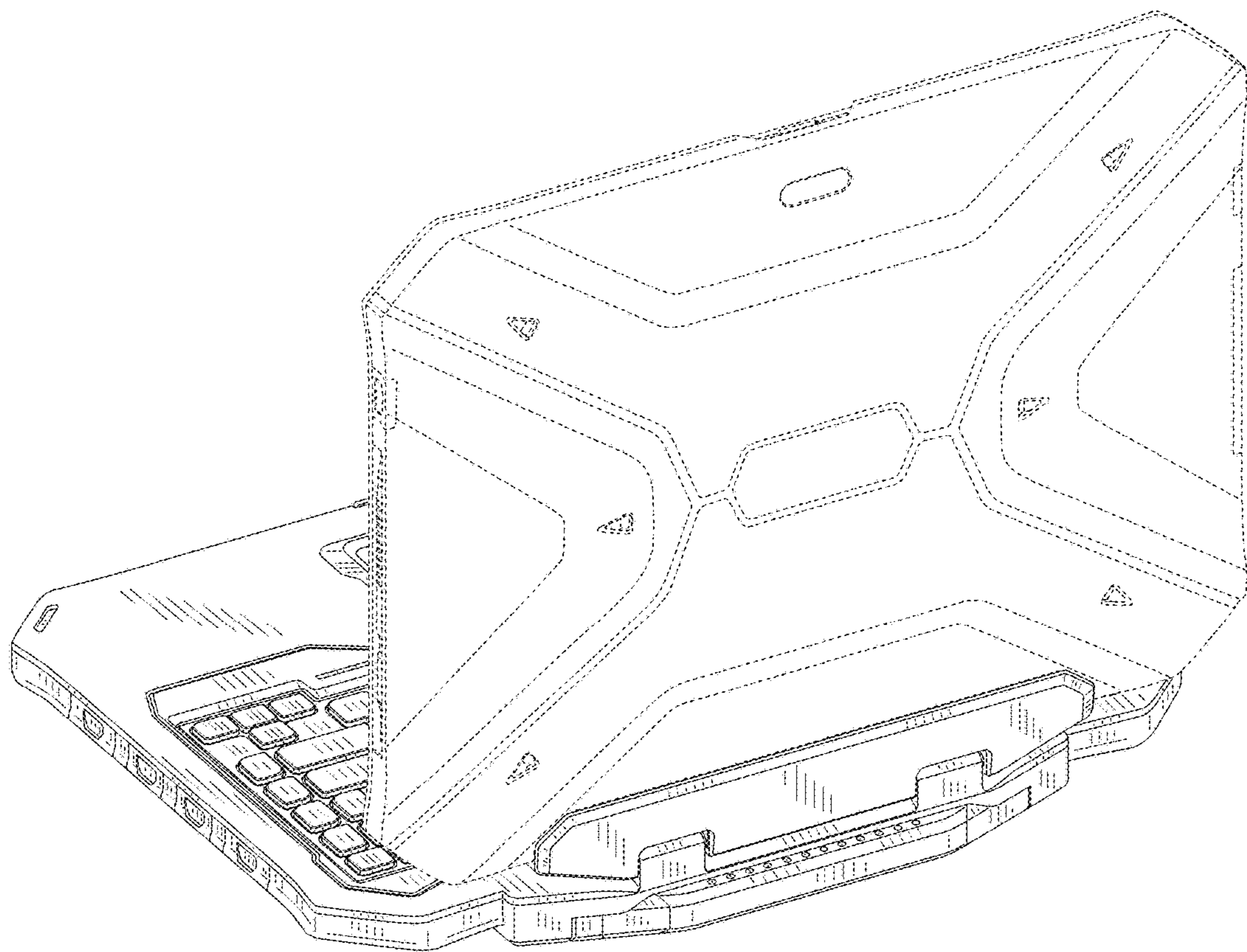


FIG. 10

