



US00D815639S

(12) **United States Design Patent** (10) **Patent No.:** **US D815,639 S**  
**Lau** (45) **Date of Patent:** **\*\* Apr. 17, 2018**

(54) **MULTI-FUNCTION CONVERTER**

(71) Applicant: **Youli Lau**, Shenzhen (CN)

(72) Inventor: **Youli Lau**, Shenzhen (CN)

(\*\*) Term: **15 Years**

(21) Appl. No.: **29/562,787**

(22) Filed: **Apr. 28, 2016**

(30) **Foreign Application Priority Data**

Jan. 12, 2016 (CN) ..... 2016 3 0009757

(51) **LOC (11) Cl.** ..... **14-02**

(52) **U.S. Cl.**  
USPC ..... **D14/433**

(58) **Field of Classification Search**

USPC ..... D18/4.4, 4.5, 4.6, 12, 12.1, 12.3;  
D14/383, 384, 385, 386, 378

CPC ..... G06K 19/07749; G06K 19/0723; G06K  
19/041; G06K 19/07758; G06K 19/0775;  
G06K 19/07783; G06K 19/07794; G06K  
19/06046; G06K 19/07722; G06K  
19/07773; G06K 19/07779; G06K  
19/07784; G06K 19/07786; G06K  
19/0709

See application file for complete search history.

(56) **References Cited**

U.S. PATENT DOCUMENTS

|              |         |       |       |         |
|--------------|---------|-------|-------|---------|
| D559,848 S * | 1/2008  | Siu   | ..... | D14/433 |
| D559,849 S * | 1/2008  | Siu   | ..... | D14/433 |
| D664,146 S * | 7/2012  | Hoehn | ..... | D14/433 |
| D776,659 S * | 1/2017  | Hou   | ..... | D14/433 |
| D788,112 S * | 5/2017  | Liao  | ..... | D14/433 |
| D794,028 S * | 8/2017  | Lin   | ..... | D14/433 |
| D796,514 S * | 9/2017  | Xu    | ..... | D14/433 |
| D800,730 S * | 10/2017 | Liao  | ..... | D14/433 |

\* cited by examiner

*Primary Examiner* — Austin Murphy

(74) *Attorney, Agent, or Firm* — Roger H. Chu

(57) **CLAIM**

The ornamental design of a multi-function converter, as shown and described.

**DESCRIPTION**

FIG. 1 is a top view of a multi-function converter showing my design;

FIG. 2 is a left side view thereof;

FIG. 3 is a right side view thereof;

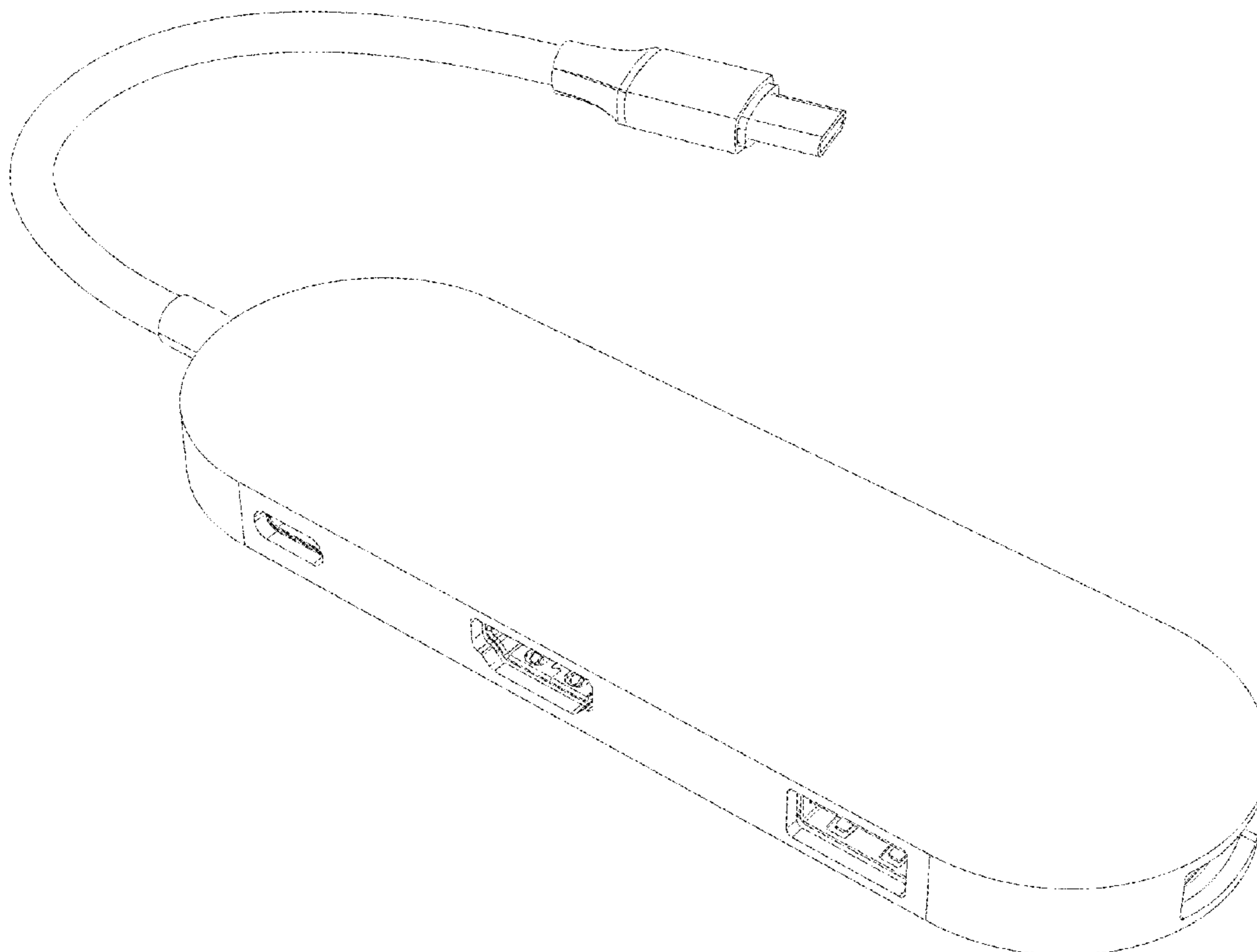
FIG. 4 is a bottom view thereof;

FIG. 5 is a front view thereof;

FIG. 6 is a rear view thereof; and,

FIG. 7 is a perspective view thereof.

**1 Claim, 6 Drawing Sheets**



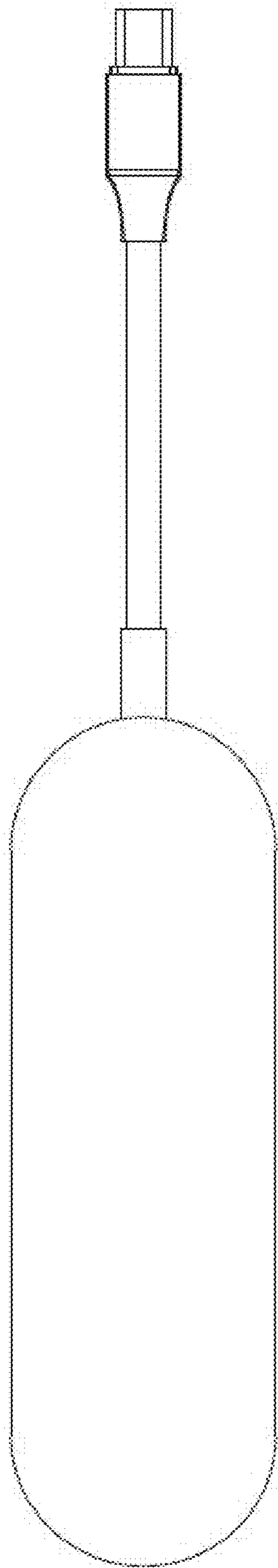


Fig 1



Fig 2

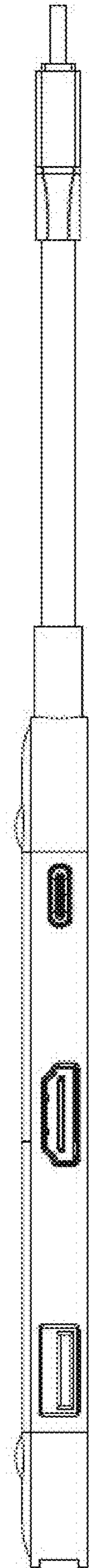


Fig 3

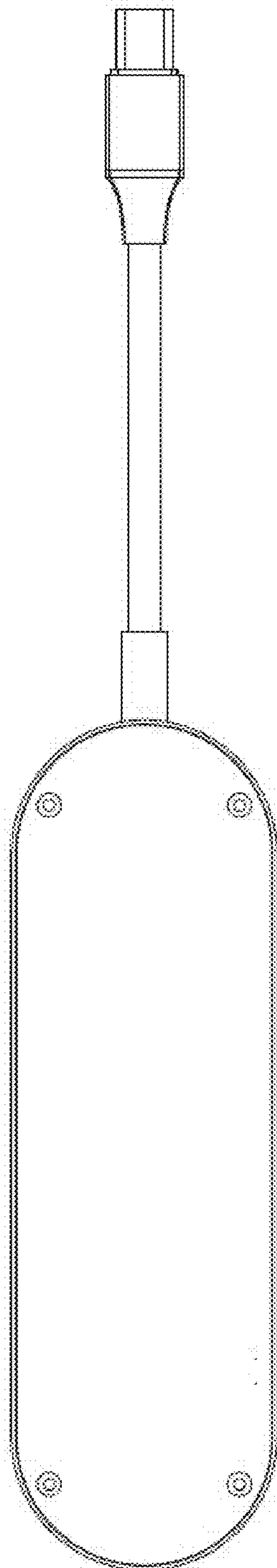


Fig 4

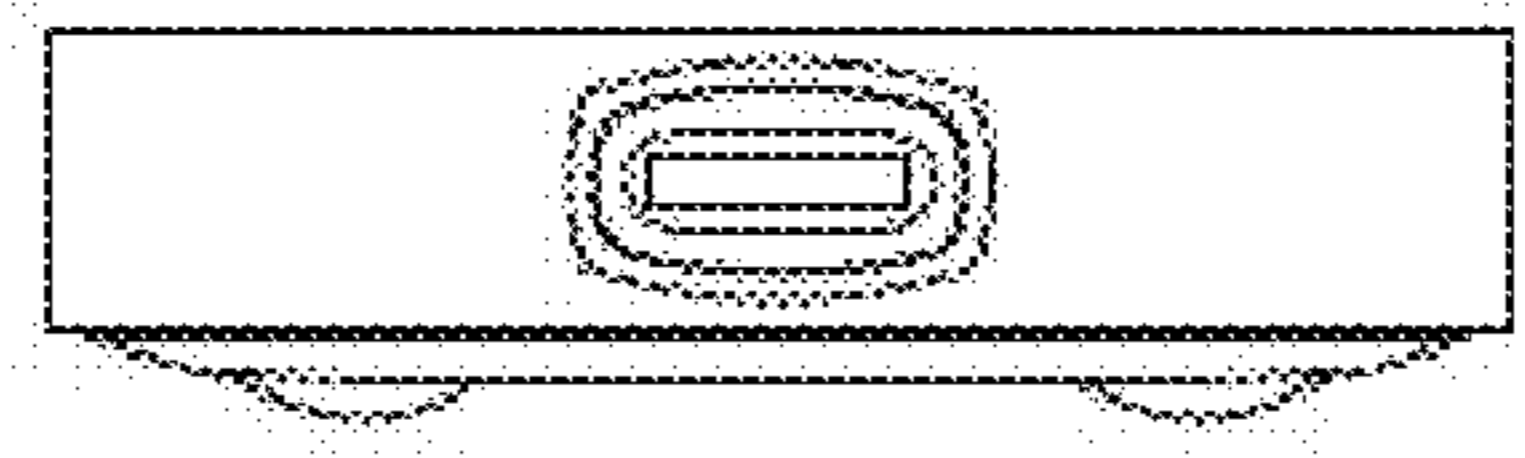


Fig 5

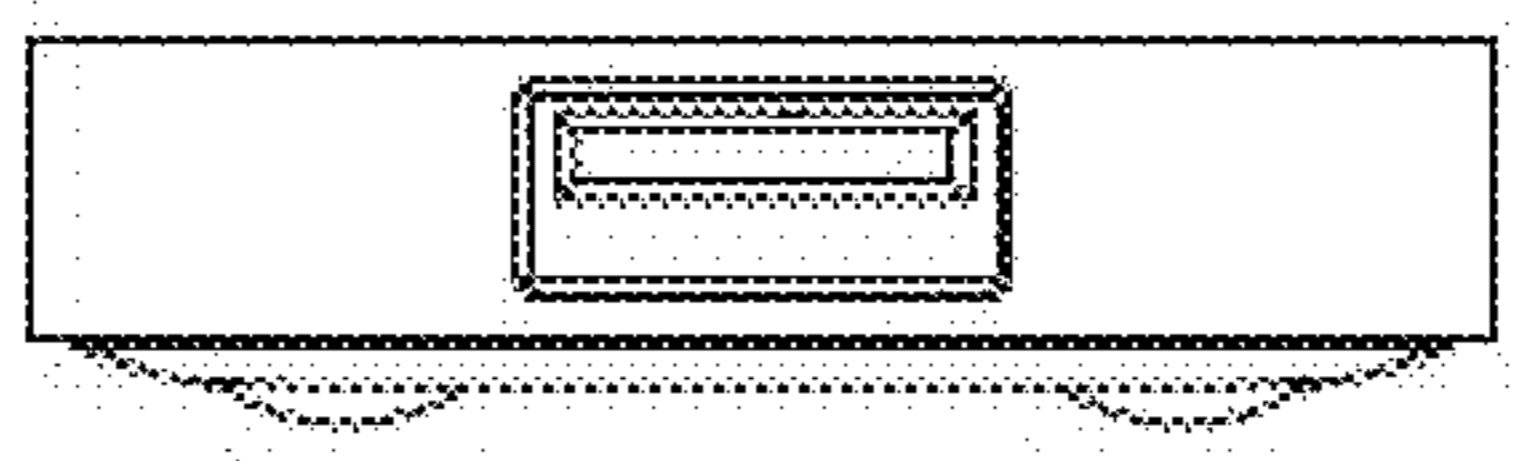


Fig 6

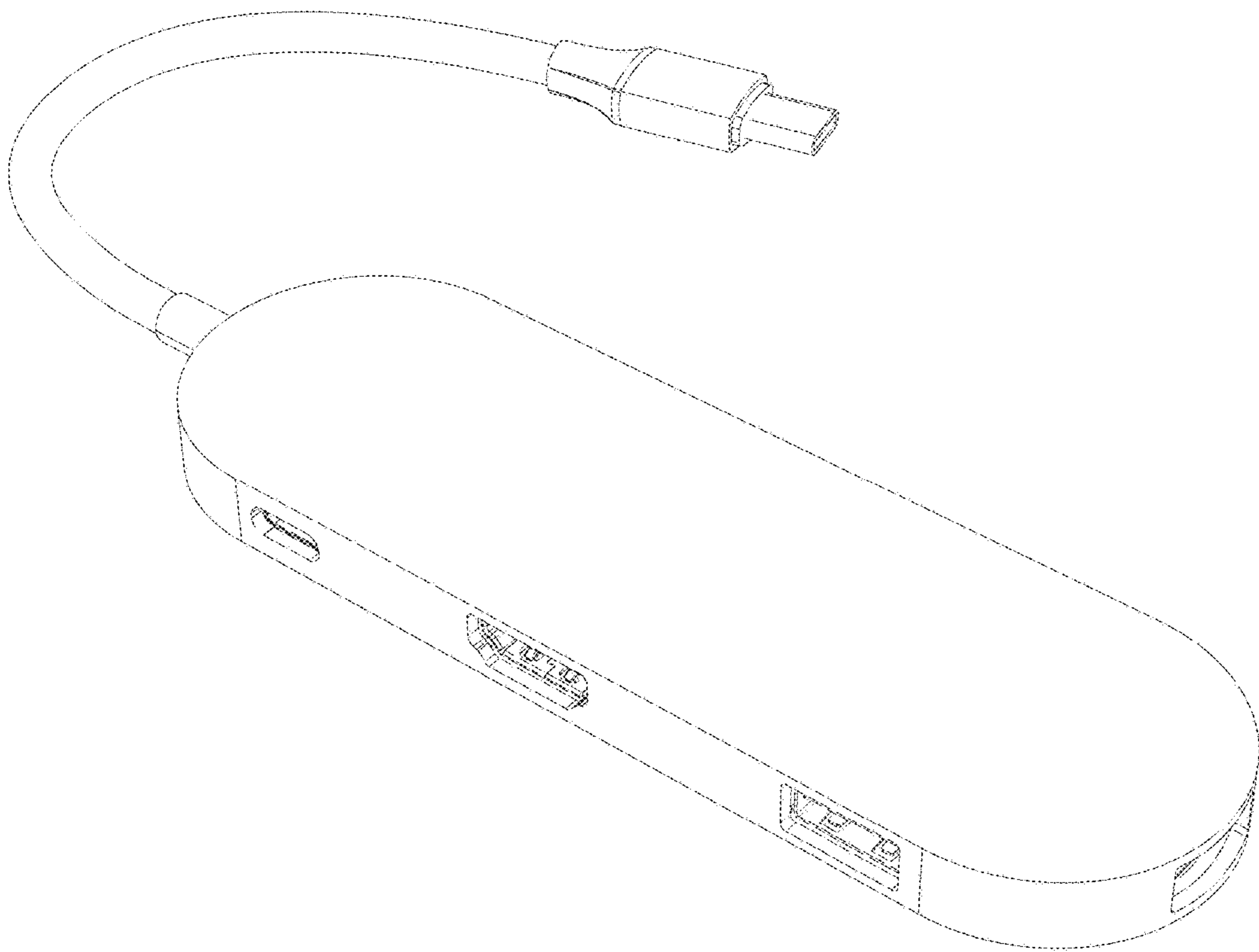


Fig 7