



US00D815638S

(12) **United States Design Patent**  
**Edwards**

(10) **Patent No.:** **US D815,638 S**  
(45) **Date of Patent:** **\*\* Apr. 17, 2018**

(54) **ATTACHABLE AUGMENTED REALITY  
DISPLAY DEVICE WITH USB CONNECTOR**

(71) Applicant: **Remote Xcess, LLC**, Laurel, MD  
(US)

(72) Inventor: **Marlena Edwards**, Washington, DC  
(US)

(73) Assignee: **Remote Xcess, LLC**, Laurel, MD  
(US)

(\*\*) Term: **15 Years**

(21) Appl. No.: **29/603,293**

(22) Filed: **May 8, 2017**

(51) **LOC (11) Cl.** ..... **14-02**

(52) **U.S. Cl.**  
USPC ..... **D14/372**

(58) **Field of Classification Search**  
USPC ..... D14/372, 496, 432, 371, 125, 126, 129,  
D14/299; D16/300-342; 351/158, 153,  
351/144; 345/7-9, 905; 455/344;  
348/115, 53, 121, 739  
CPC ..... G02B 27/017; G02B 27/0158; G02B  
27/0161; G02B 27/0181; G02B 27/0185;  
G02B 27/0189

See application file for complete search history.

(56) **References Cited**

**U.S. PATENT DOCUMENTS**

6,116,729 A \* 9/2000 Huang ..... G02B 25/02  
351/158  
D550,266 S \* 9/2007 Lau ..... D16/202  
D629,031 S \* 12/2010 Su ..... D16/202  
D641,388 S \* 7/2011 Shih ..... D16/202

D678,380 S \* 3/2013 Pardo ..... D16/202  
D698,380 S \* 1/2014 Fletcher ..... D16/202  
D759,143 S \* 6/2016 Edwards ..... D16/208  
9,360,682 B1 \* 6/2016 Edwards ..... G02C 11/10  
9,648,277 B2 \* 5/2017 Edwards ..... G02C 11/10  
D792,399 S \* 7/2017 Thomas ..... D14/372  
D792,401 S \* 7/2017 Tang ..... D14/372  
D799,480 S \* 10/2017 Flanders ..... D14/372  
D800,726 S \* 10/2017 Su ..... D14/372  
D801,969 S \* 11/2017 Yee ..... D14/372  
D805,515 S \* 12/2017 Bowes ..... D14/372  
D806,074 S \* 12/2017 Kuwahara ..... D14/372

\* cited by examiner

*Primary Examiner* — Austin Murphy

(74) *Attorney, Agent, or Firm* — Michael D. Eisenberg

(57) **CLAIM**

The ornamental design for a attachable augmented reality display device with USB connector, as shown and described.

**DESCRIPTION**

FIG. 1 is a perspective view of a attachable augmented reality display device with USB connector showing my new design;

FIG. 2 is a front view of the attachable augmented reality display device with USB connector;

FIG. 3 is a top view of the attachable augmented reality display device with USB connector;

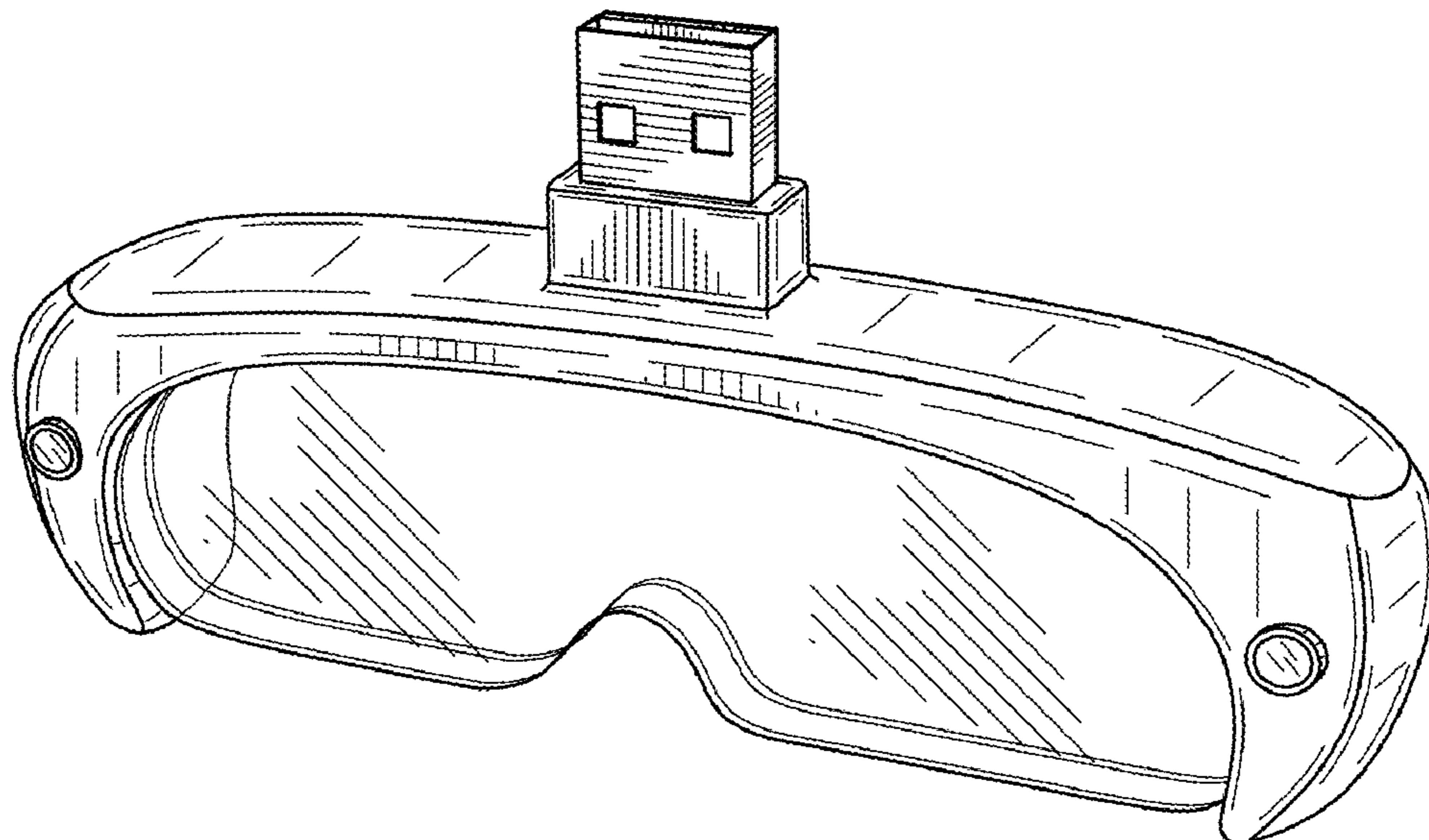
FIG. 4 is a right side view of the attachable augmented reality display device with USB connector;

FIG. 5 is a left side view of the attachable augmented reality display device with USB connector;

FIG. 6 is a rear view of the attachable augmented reality display device with USB connector; and,

FIG. 7 is a bottom view of the attachable augmented reality display device with USB connector.

**1 Claim, 2 Drawing Sheets**



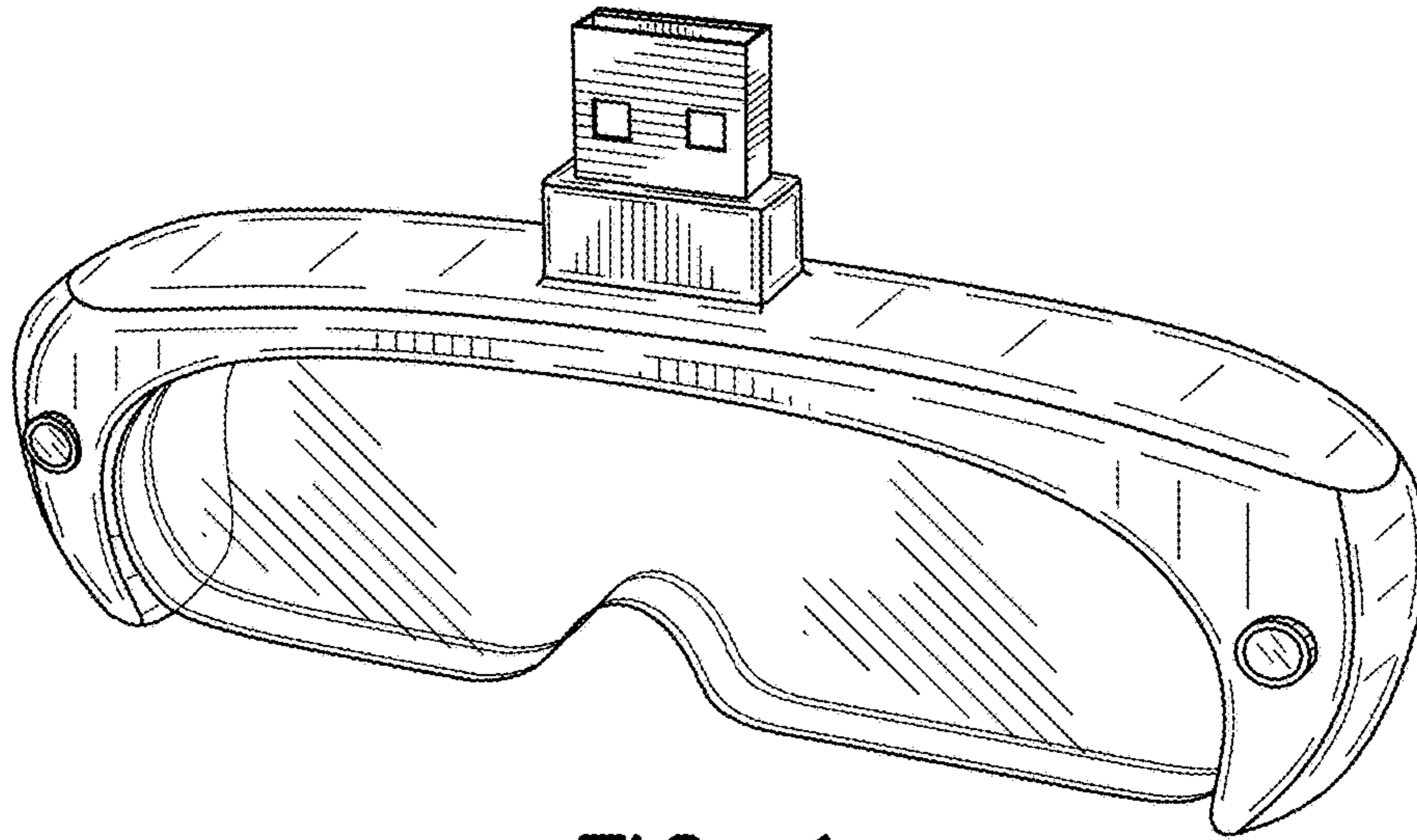


FIG. 1

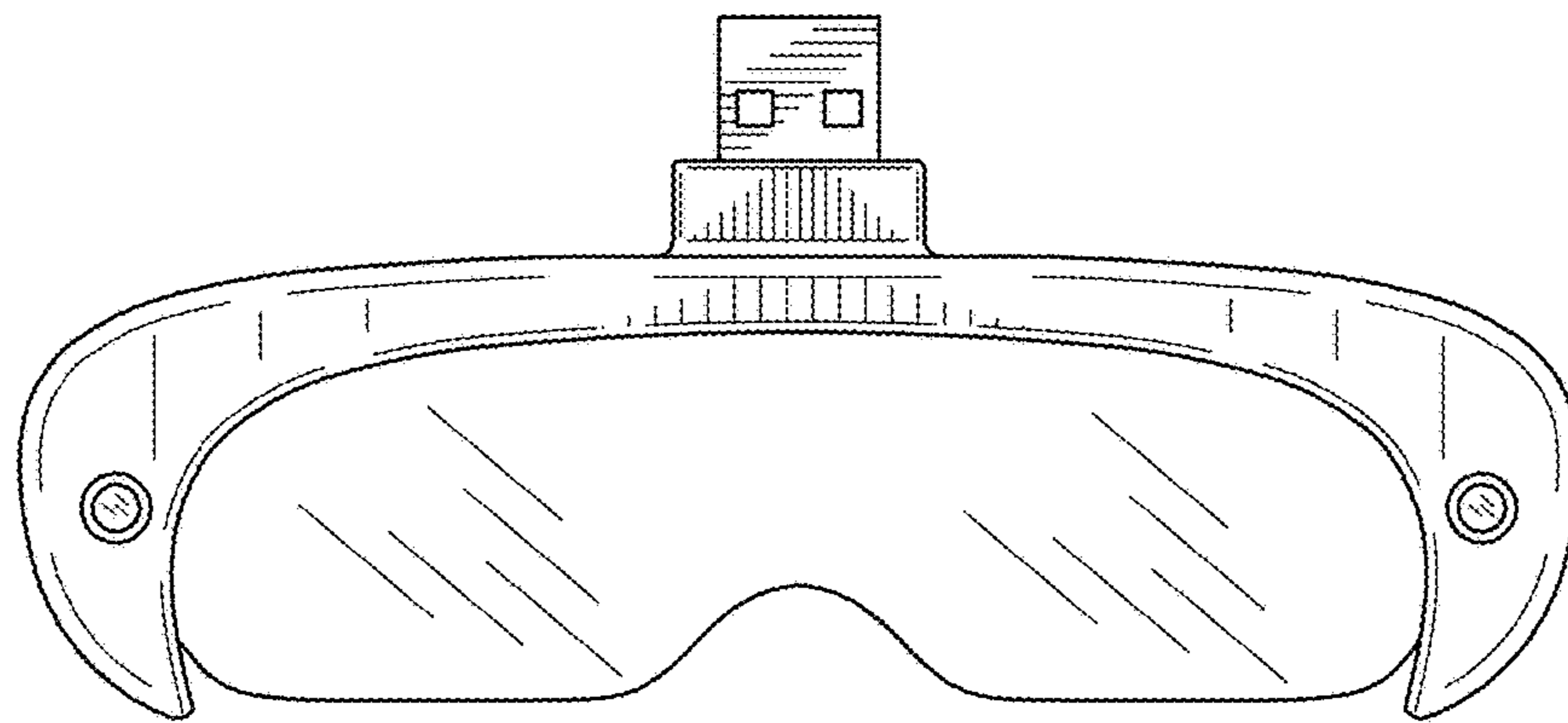


FIG. 2

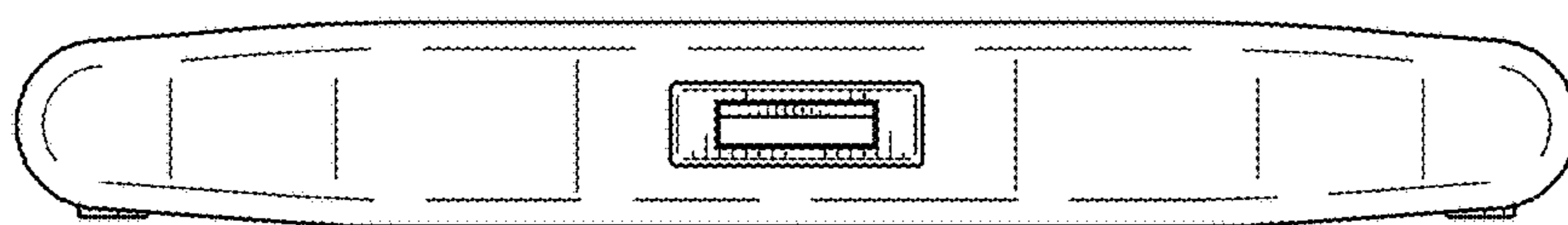
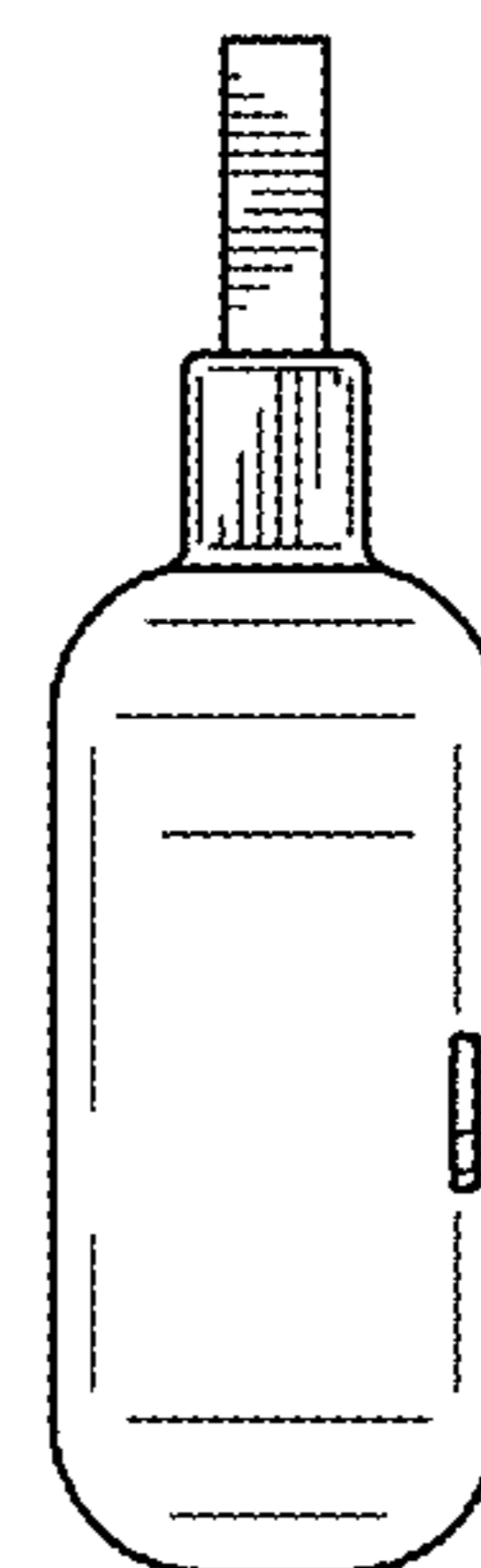


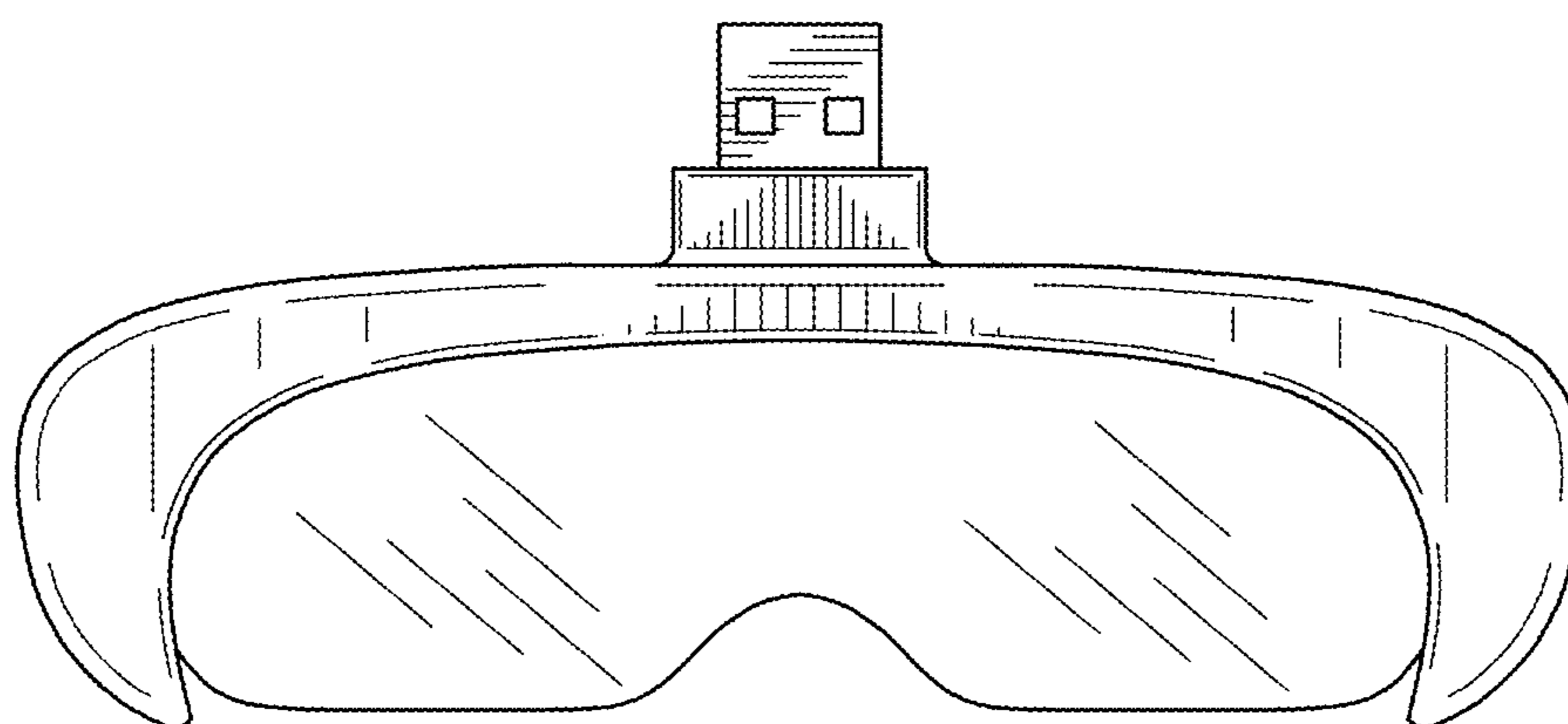
FIG. 3



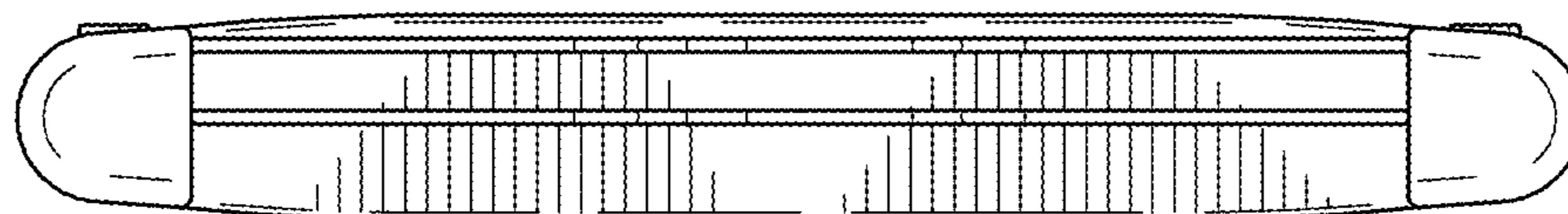
**FIG. 4**



**FIG. 5**



**FIG. 6**



**FIG. 7**