



US00D815637S

(12) **United States Design Patent**
Li

(10) **Patent No.:** **US D815,637 S**

(45) **Date of Patent:** **** Apr. 17, 2018**

- (54) **3D VIRTUAL REALITY GLASSES**
- (71) Applicant: **Shenzhen Qianchen Guodu Technology Co., Ltd., Shenzhen (CN)**
- (72) Inventor: **Weiwei Li, Shenzhen (CN)**
- (73) Assignee: **SHENZHEN QIANCHEN GUODU TECHNOLOGY CO., LTD., Shenzhen (CN)**
- (**) Term: **15 Years**
- (21) Appl. No.: **29/565,379**

- (22) Filed: **May 19, 2016**
- (51) **LOC (11) Cl.** **14-02**
- (52) **U.S. Cl.**
USPC **D14/372**
- (58) **Field of Classification Search**
USPC D14/372, 496, 432, 371, 125, 126, 129, D14/299; D16/300-342; 351/158, 153, 351/144; 345/7-9, 905; 455/344; 348/115, 53, 121, 739
CPC G02B 27/017; G02B 27/0158; G02B 27/0161; G02B 27/0181; G02B 27/0185; G02B 27/0189
See application file for complete search history.

(56) **References Cited**

U.S. PATENT DOCUMENTS

- D732,028 S * 6/2015 Kim D14/372
- D749,580 S * 2/2016 Kim D14/372
- D752,680 S * 3/2016 Kim D14/372
- D753,111 S * 4/2016 Fei D14/372

- D759,654 S * 6/2016 Sullivan D14/372
- D764,465 S * 8/2016 Clement D14/372
- D764,466 S * 8/2016 Kim D14/372
- D771,627 S * 11/2016 Ko D14/372
- D773,460 S * 12/2016 Yang D14/372
- D776,111 S * 1/2017 Baldassi D14/372
- D778,909 S * 2/2017 Nokuo D14/372
- D781,290 S * 3/2017 Kim D14/372
- D785,619 S * 5/2017 Su D14/372
- D791,127 S * 7/2017 Sullivan D14/372
- D791,129 S * 7/2017 Sullivan D14/372
- D792,399 S * 7/2017 Thomas D14/372
- D801,970 S * 11/2017 Sullivan D14/372
- D805,514 S * 12/2017 Clement D14/372
- D805,515 S * 12/2017 Bowes D14/372

* cited by examiner

Primary Examiner — Austin Murphy

(74) *Attorney, Agent, or Firm* — Matthias Scholl, PC; Matthias Scholl

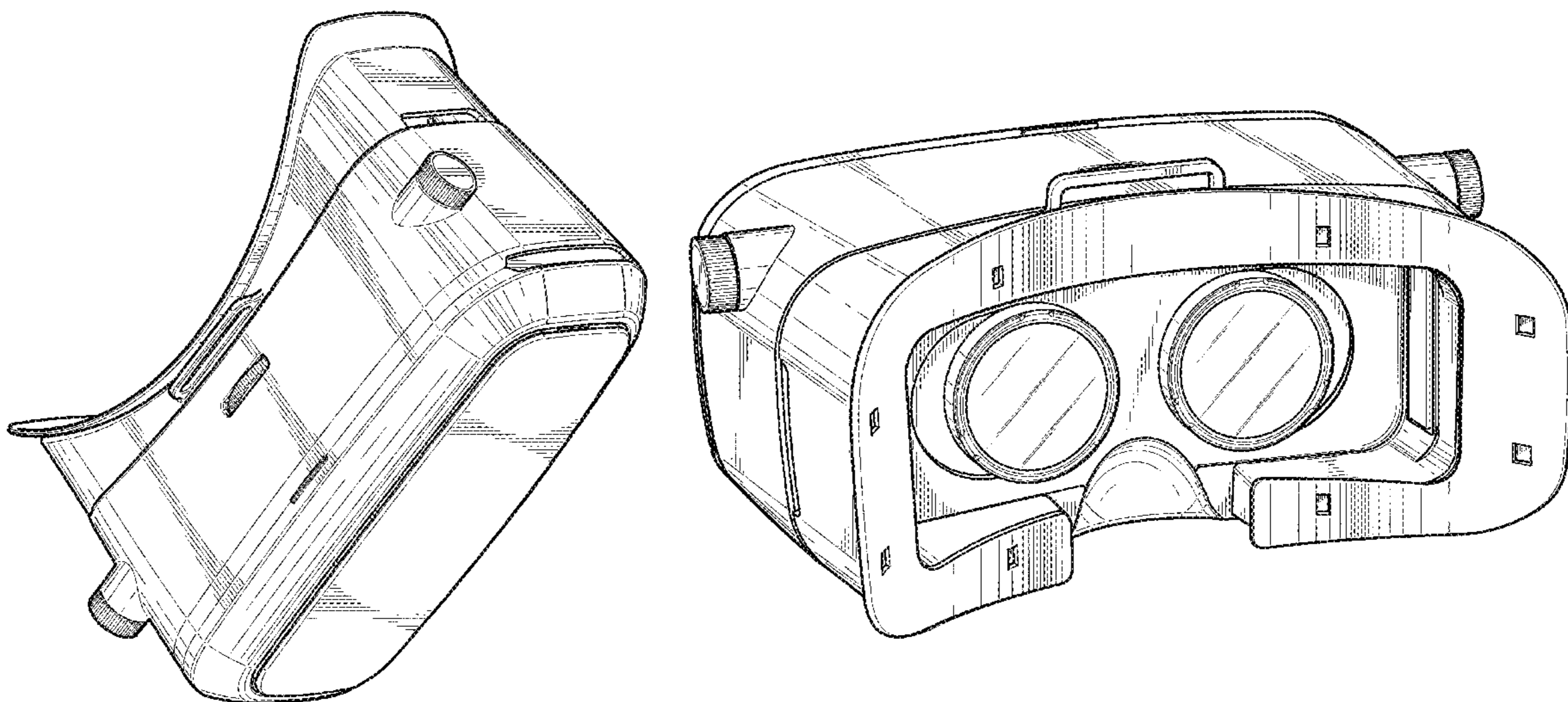
(57) **CLAIM**

The ornamental design for 3D virtual reality glasses, as shown and described.

DESCRIPTION

FIG. 1 is a front elevational view of 3D virtual reality glasses;
 FIG. 2 is a rear elevational view thereof;
 FIG. 3 is a left side elevational view thereof;
 FIG. 4 is a right side elevational view thereof;
 FIG. 5 is a top plan view thereof;
 FIG. 6 is a bottom plan view thereof;
 FIG. 7 is a perspective view thereof; and,
 FIG. 8 is a perspective view of surface thereof.

1 Claim, 8 Drawing Sheets



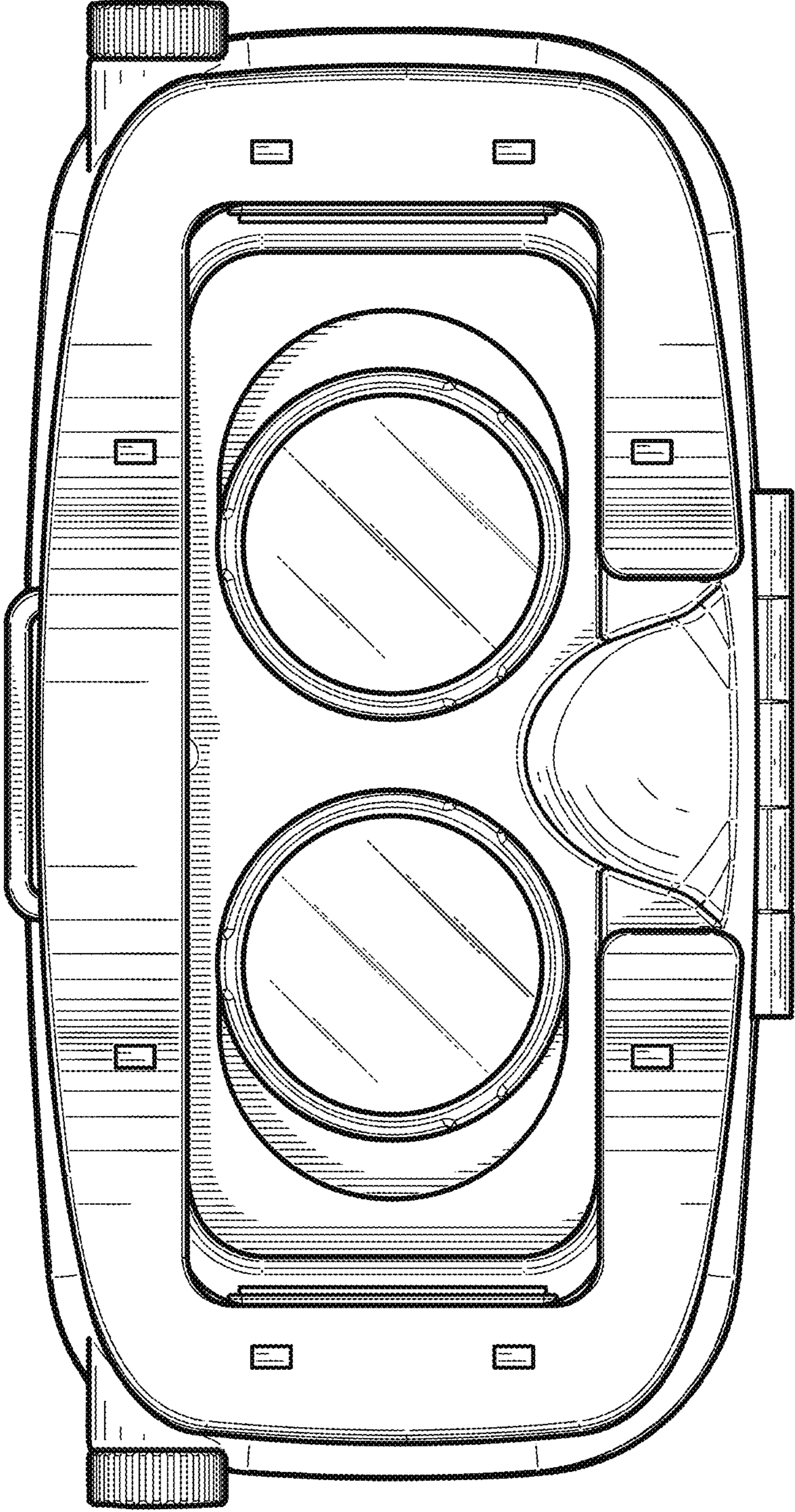


FIG. 1

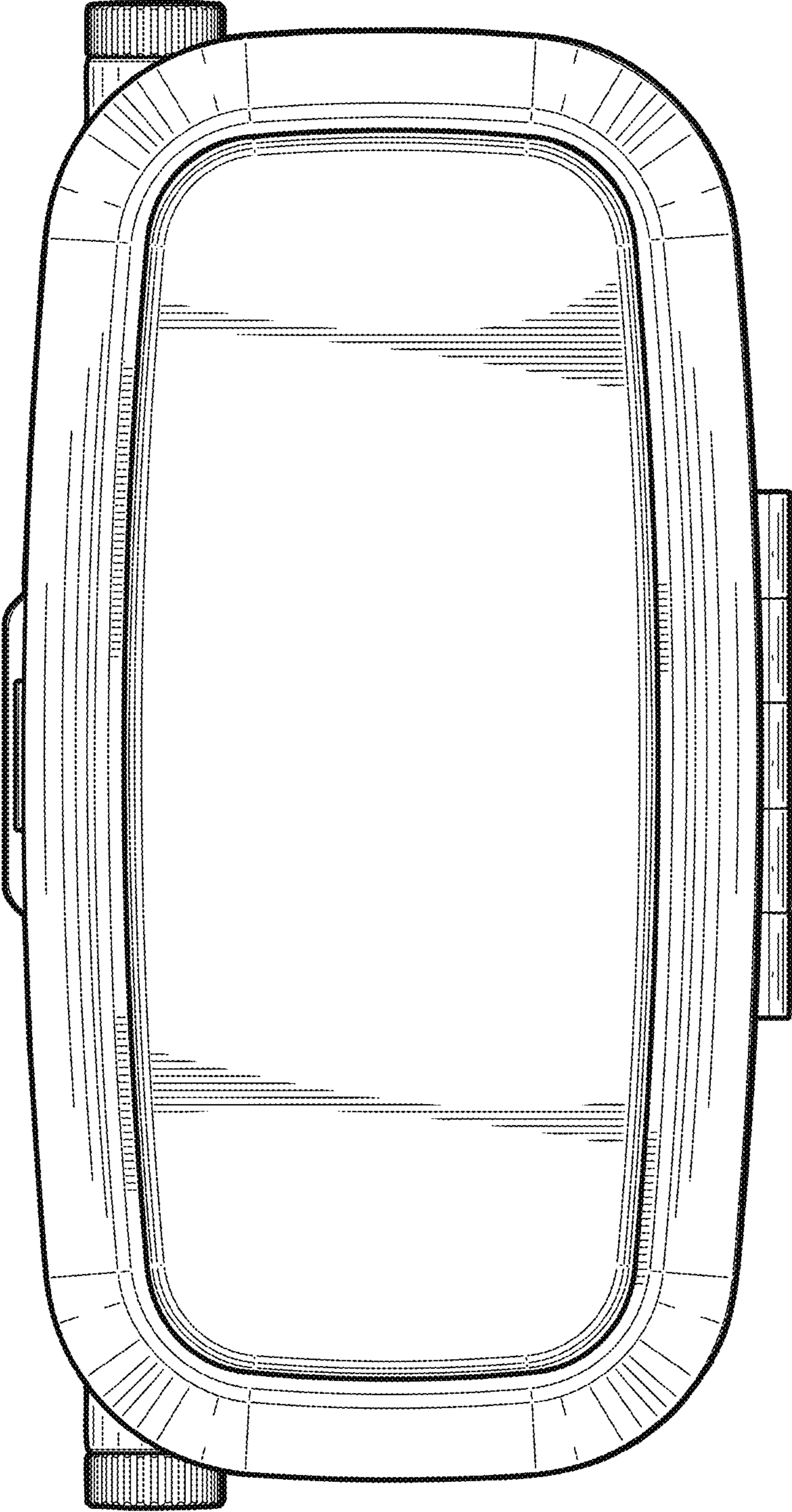


FIG. 2

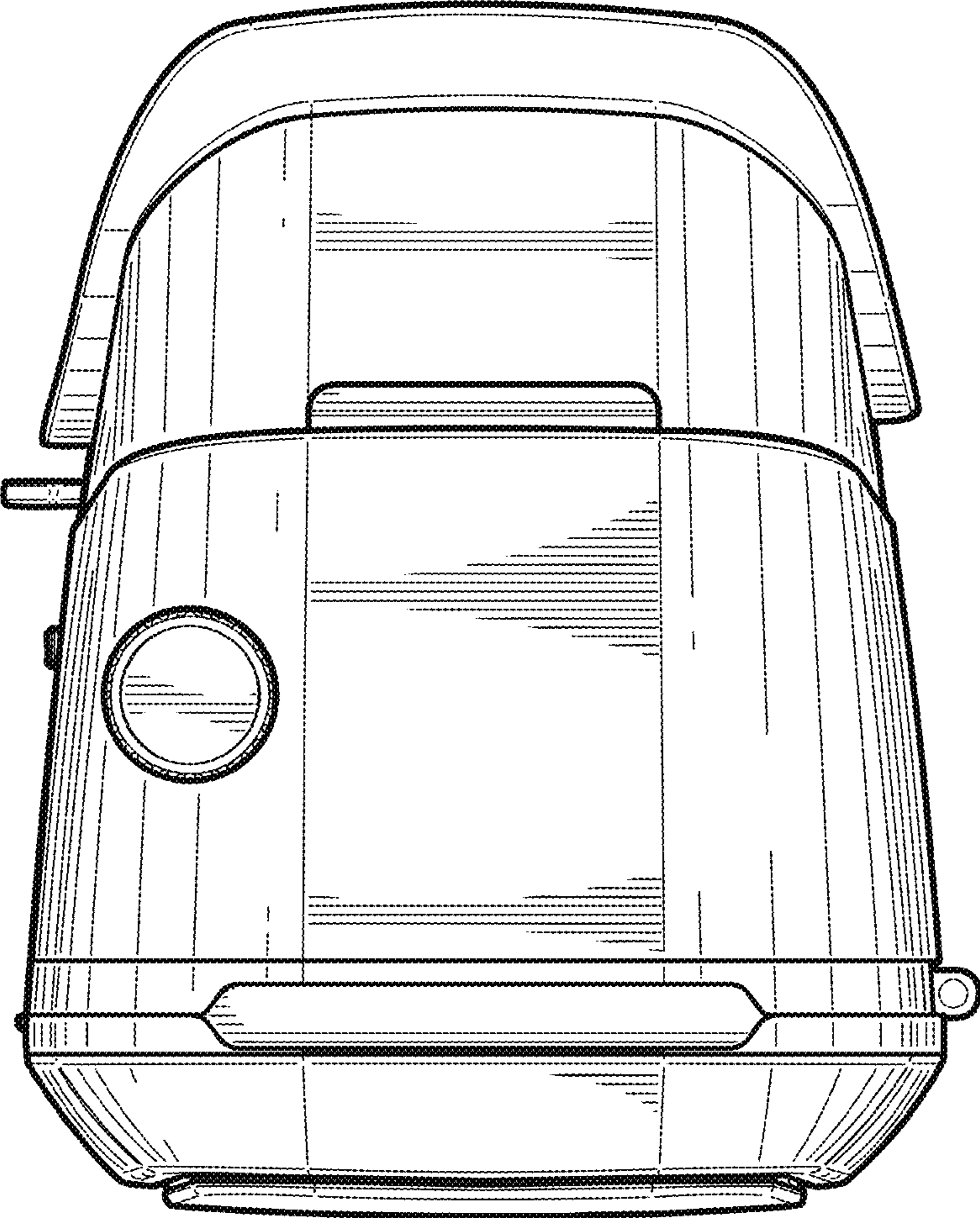


FIG. 3

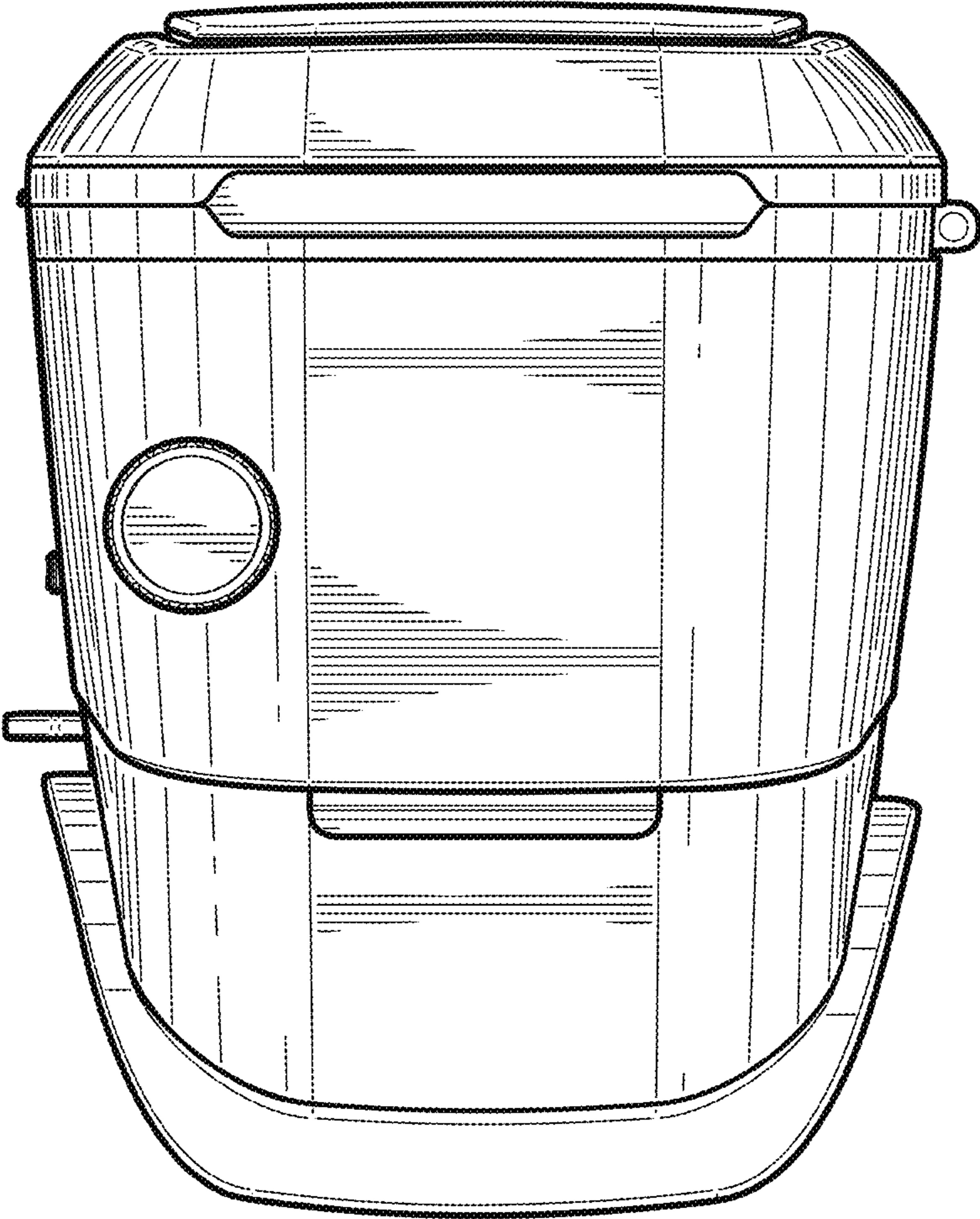


FIG. 4

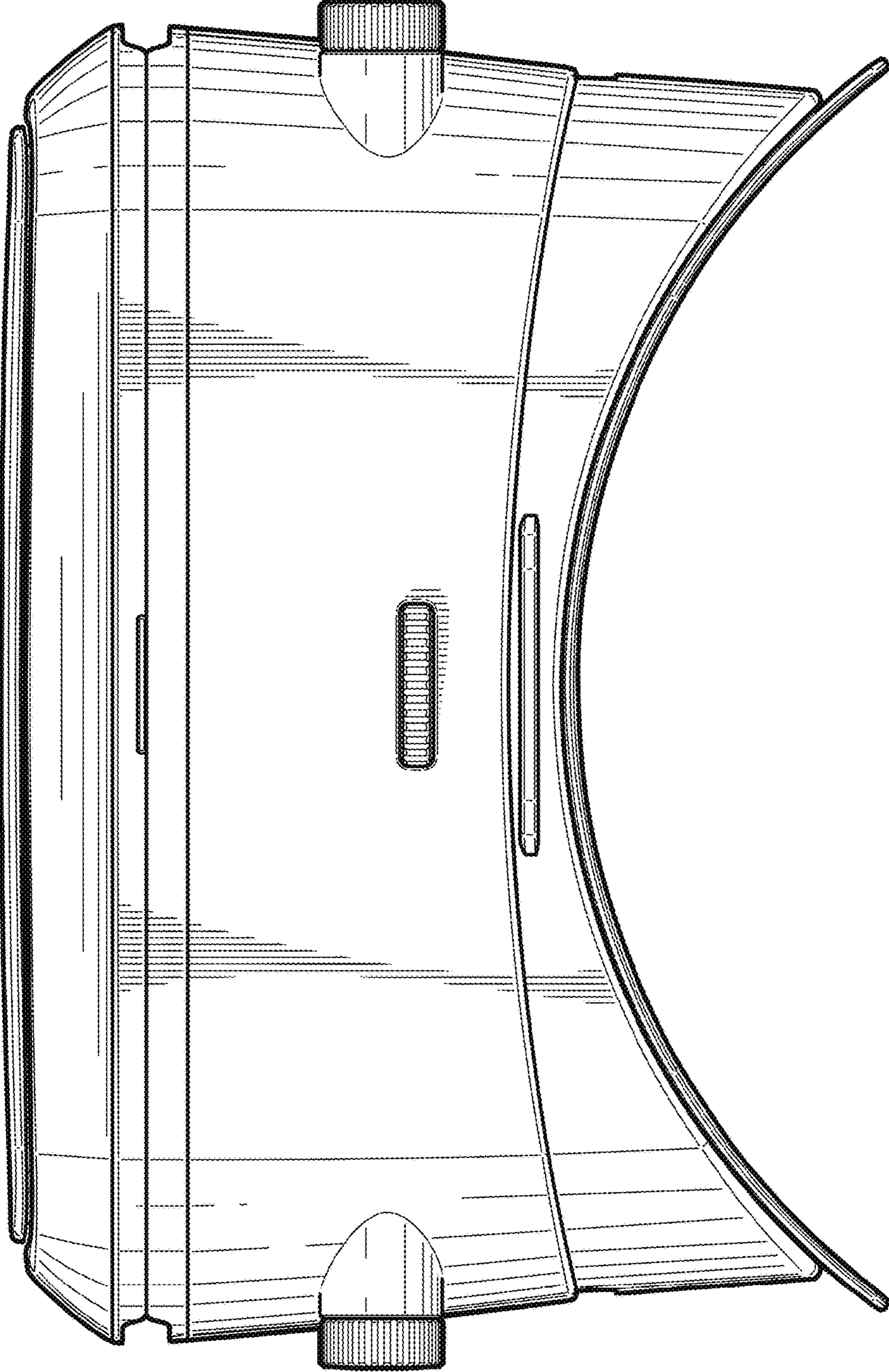


FIG. 5

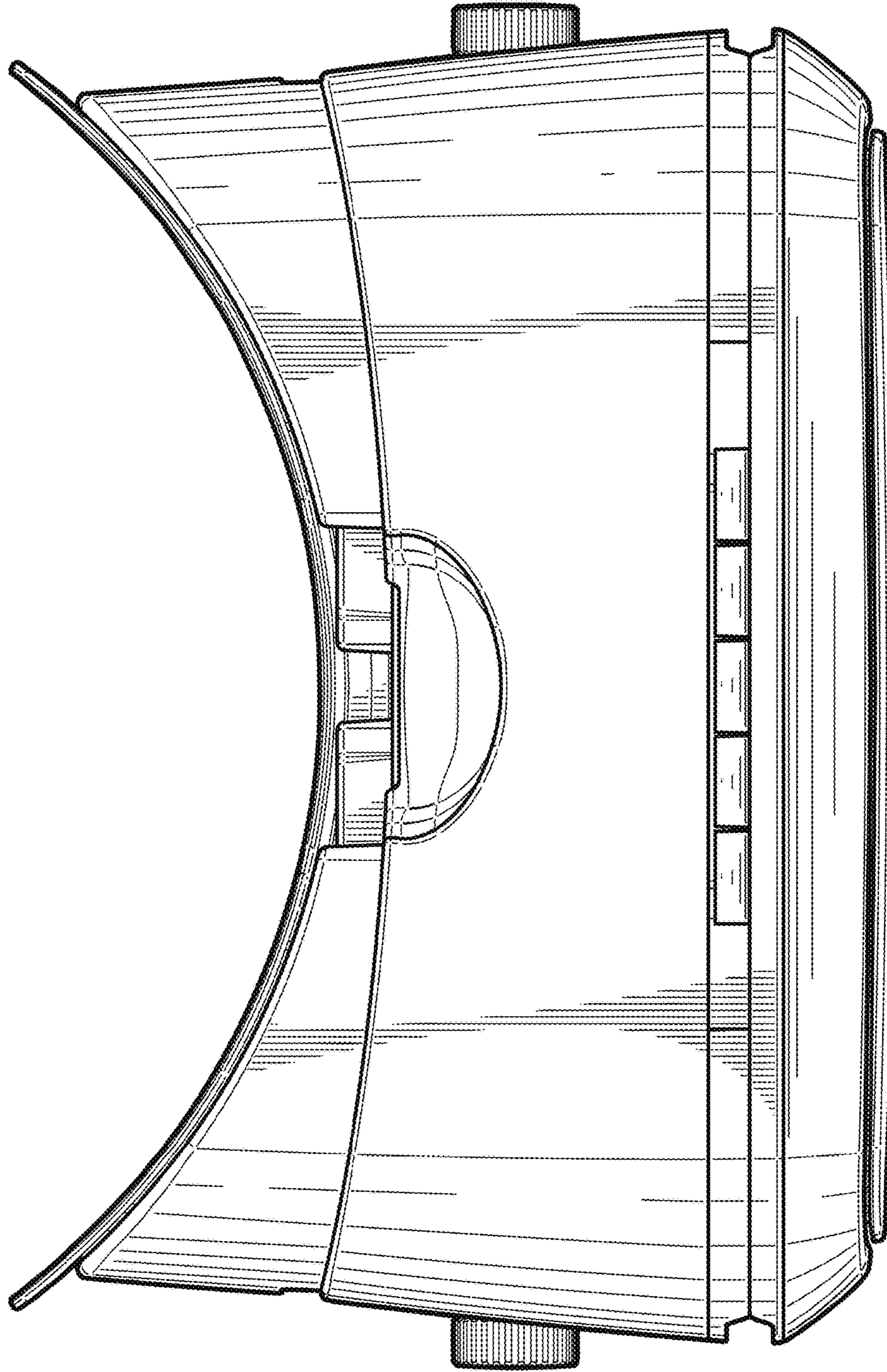


FIG. 6

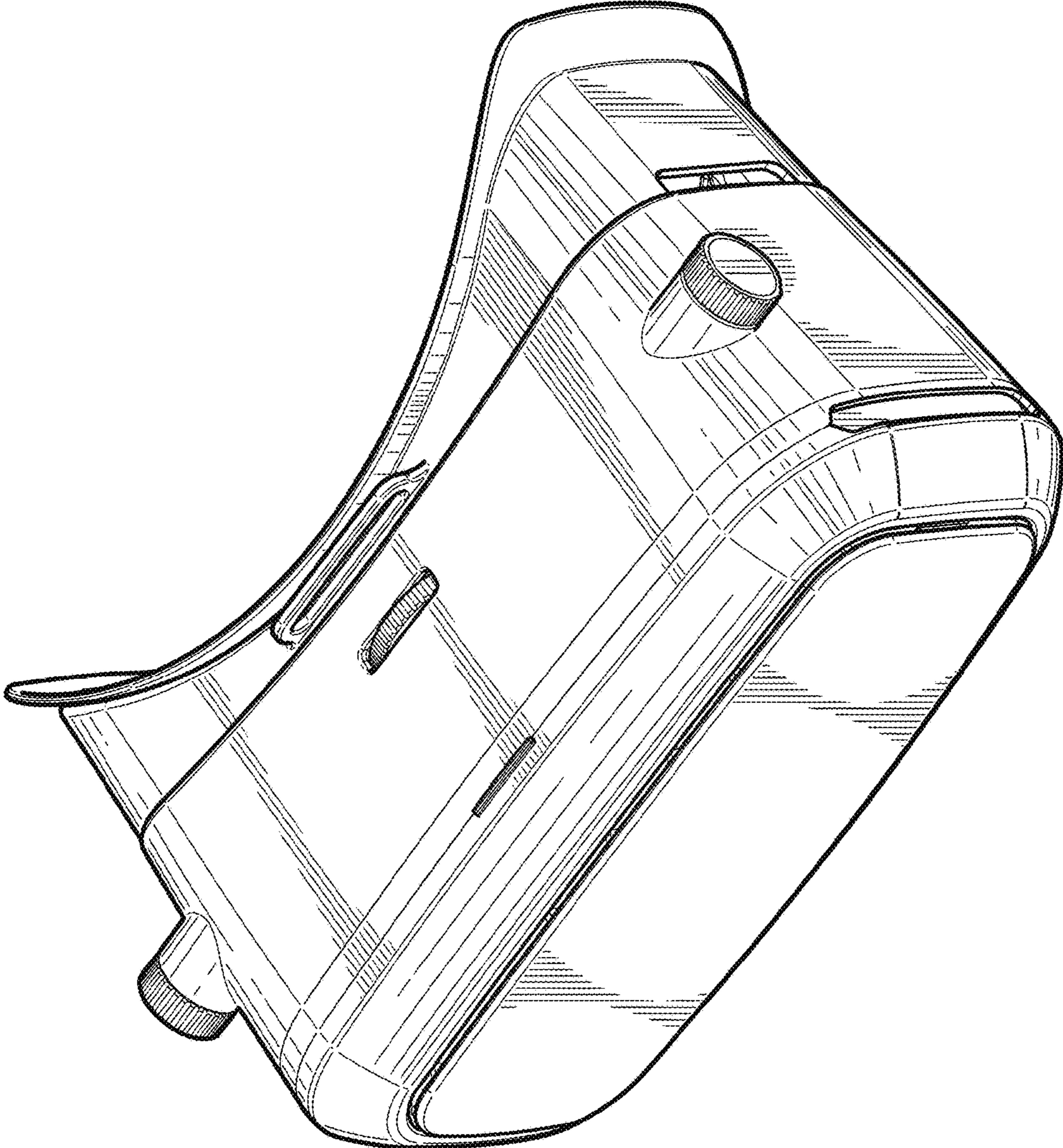


FIG. 7

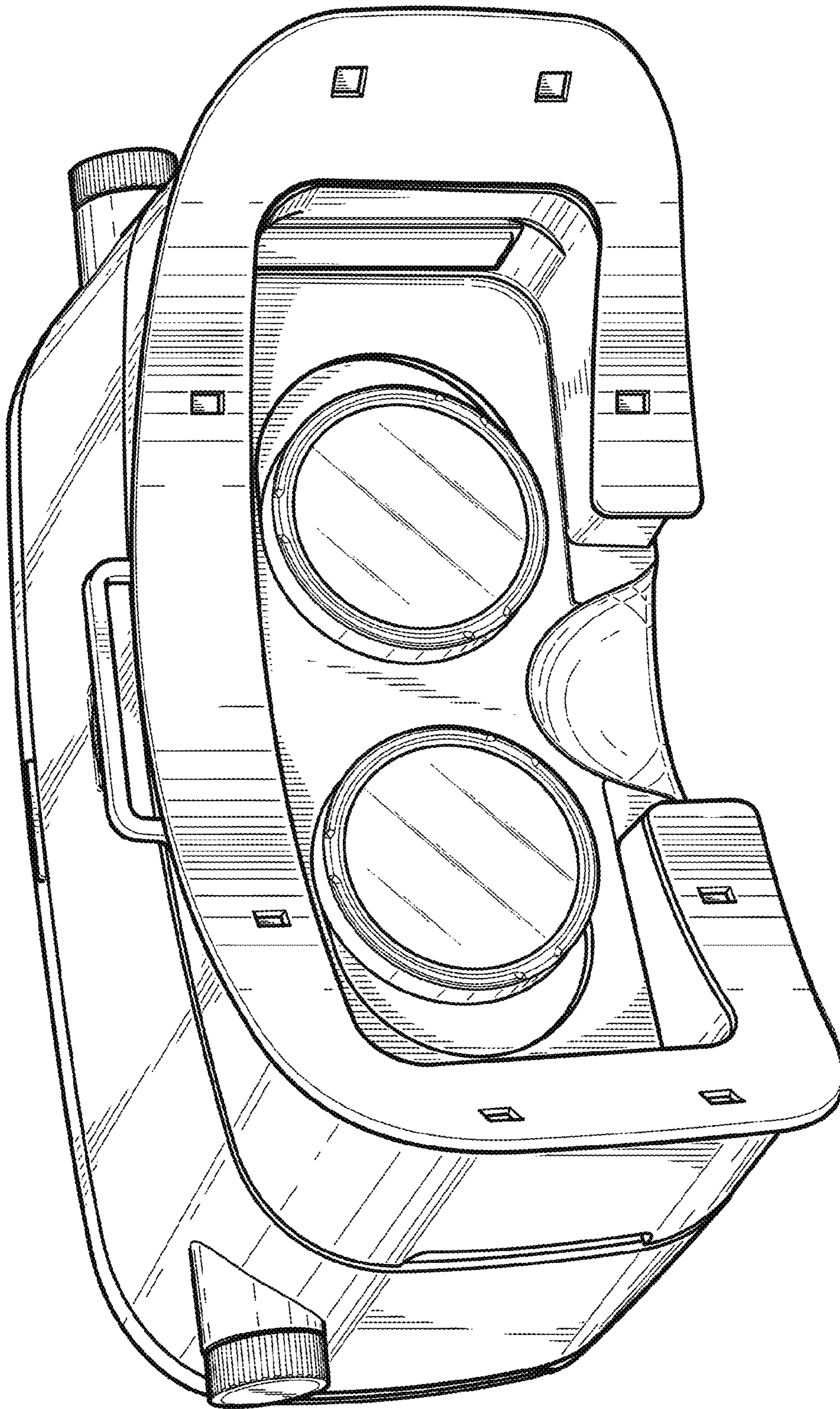


FIG. 8