



US00D815636S

(12) **United States Design Patent**
Zhou

(10) **Patent No.:** **US D815,636 S**

(45) **Date of Patent:** **** Apr. 17, 2018**

(54) **COMPUTER**

7/00; G11B 33/126; G11B 33/128; G11B 33/08; G11B 33/02; H05K 7/20

(71) Applicant: **LENOVO (BEIJING) CO., LTD.**,
Beijing (CN)

See application file for complete search history.

(72) Inventor: **Ying Zhou**, Beijing (CN)

(56) **References Cited**

(73) Assignee: **LENOVO (BEIJING) CO., LTD.**,
Beijing (CN)

U.S. PATENT DOCUMENTS

(**) Term: **15 Years**

D182,445 S *	4/1958	Slate	D12/163
D183,153 S *	7/1958	Wilfert	D12/163
D183,550 S *	9/1958	Wilfert	D12/163
5,828,545 A *	10/1998	Loudenslager	G06F 1/181 211/40
6,480,398 B1 *	11/2002	Fiora	G06F 1/181 174/382
D490,423 S *	5/2004	Cervantes	D14/349
D518,041 S *	3/2006	Sun	D14/302
D554,118 S *	10/2007	Deng	D14/349
D614,620 S *	4/2010	Haase	D14/349

(21) Appl. No.: **29/559,640**

(22) Filed: **Mar. 30, 2016**

(30) **Foreign Application Priority Data**

Jan. 7, 2016 (CN) 2016 3 0004791

(51) **LOC (11) Cl.** **14-02**

(52) **U.S. Cl.**
USPC **D14/351**

(58) **Field of Classification Search**
USPC D14/240, 300, 301, 308, 313, 314,
D14/348-356, 364-368, 441-446, 188;
D13/123, 158, 162, 184, 199;
312/223.1-223.3, 351.11;
360/99.01-99.12; 369/34.01-36.01;
361/679.31-679.33, 679.37, 679.39,
361/679.46, 679.53, 679.4, 679.41, 727;
D12/82, 83, 86, 90, 91, 92, 163, 164,
D12/216, 400; D18/24
CPC . G06F 1/20; G06F 1/181; G06F 1/187; G06F
1/183; G06F 1/184; G06F 1/16; H05K
7/16; H05K 7/1424; H05K 7/1409; H05K
7/20; H05K 7/20545; H05K 7/20727;
H05K 7/1425; H05K 7/1488; H05K
7/183; H05K 7/14; H05K 5/00; H05K

* cited by examiner

Primary Examiner — Freda S Nunn

(74) *Attorney, Agent, or Firm* — Oppedahl Patent Law Firm LLC

(57) **CLAIM**

The ornamental design for a computer, as shown and described.

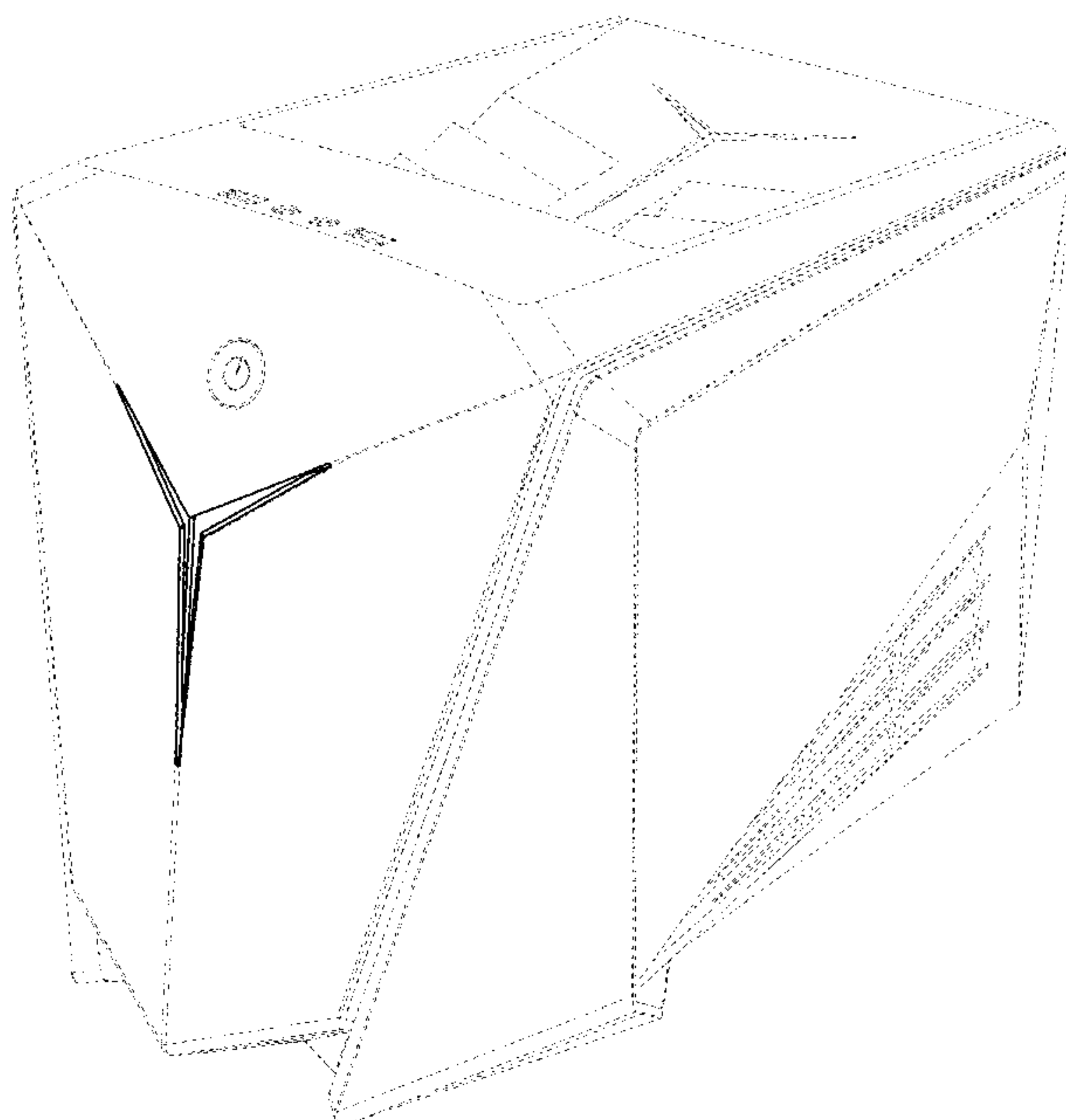
DESCRIPTION

FIG. 1 is a perspective view of a computer showing the new design; and,

FIG. 2 is a front view thereof.

The features shown in broken lines in the drawings depict environmental subject matter and form no part of the claimed design.

1 Claim, 2 Drawing Sheets



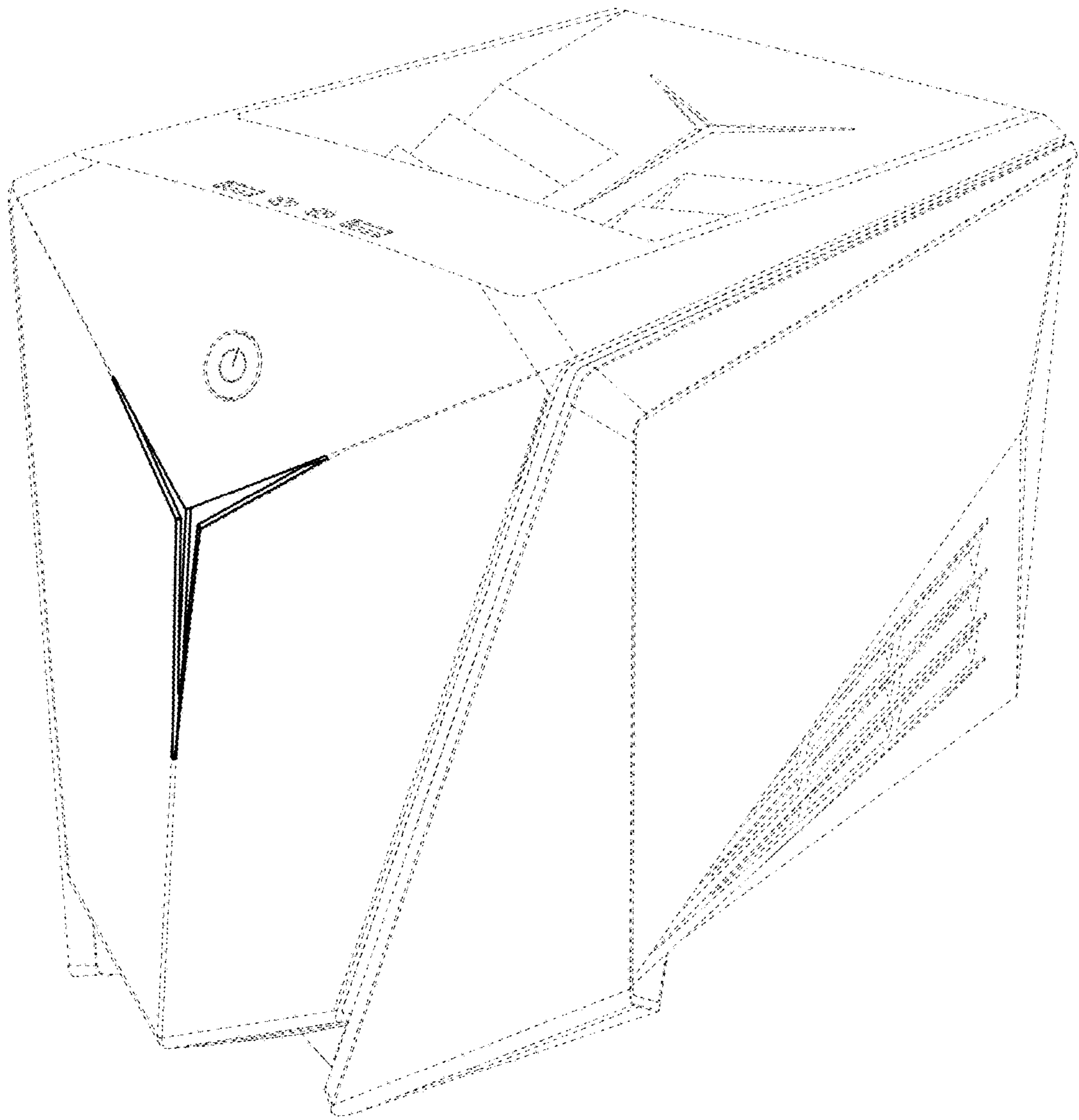


Fig. 1

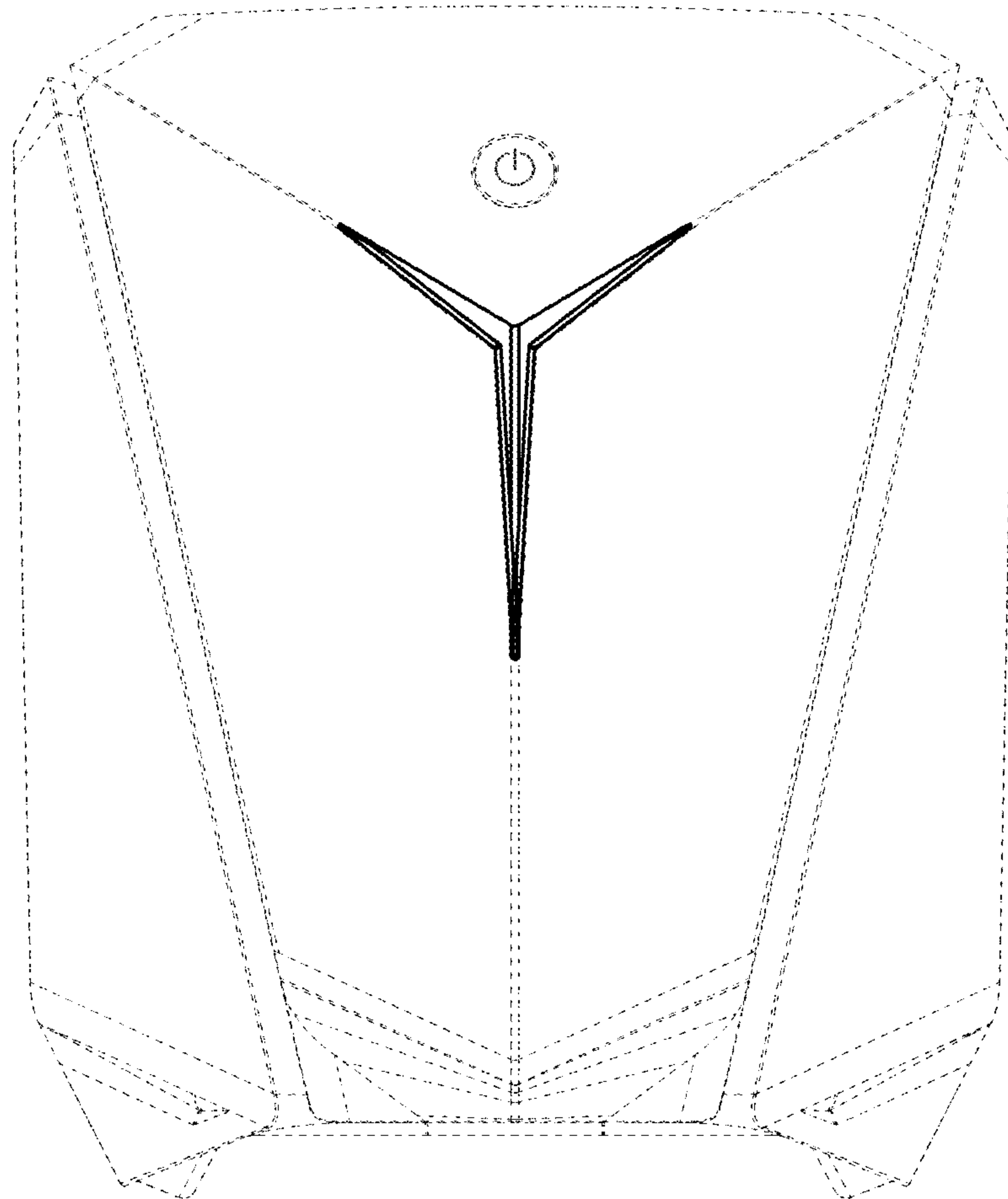


Fig. 2