



US00D815635S

(12) **United States Design Patent**
Lumme

(10) **Patent No.:** **US D815,635 S**
(45) **Date of Patent:** **** Apr. 17, 2018**

(54) **PERSONAL LIFESTYLE MONITORING AND MANAGEMENT DEVICE**

(71) Applicant: **Polar Electro Oy**, Kempele (FI)

(72) Inventor: **Lauri Lumme**, Oulu (FI)

(73) Assignee: **Polar Electro Oy**, Kempele (FI)

(**) Term: **15 Years**

(21) Appl. No.: **29/541,881**

(22) Filed: **Oct. 8, 2015**

(30) **Foreign Application Priority Data**

Oct. 2, 2015 (EM) 002807677-0001

(51) **LOC (11) Cl.** **14-02**

(52) **U.S. Cl.**
USPC **D14/344**

(58) **Field of Classification Search**
USPC D14/344, 138 R, 144, 358; D24/167,
D24/169, 186-187; D11/3, 93-94;
D10/30-39, 70, 98; 379/433.1;
361/679.03

CPC G06F 1/163; G06F 1/1628; G06F 1/1626;
G06F 1/1635; G06F 1/08; G06F 1/10;
G06F 1/04; G06F 1/14; G06F 1/3203;
A41D 1/002; H04M 1/02; H04M 1/03;
H04M 1/04; H04M 1/05; H04M 1/667;
H04M 1/6058; Y02B 60/12; H04B 1/385;
H04B 1/3888; H04B 1/3833; G06Q
20/10; G06Q 20/108; G06Q 20/12; G06Q
20/145

See application file for complete search history.

(56) **References Cited**

U.S. PATENT DOCUMENTS

D252,450 S * 7/1979 Sulek D10/32
D339,309 S * 9/1993 Butler D11/19

7,209,114 B2 * 4/2007 Radley-Smith A44C 5/0007
345/156
D594,000 S * 6/2009 Yeon D14/226
D621,808 S * 8/2010 Kim D14/138 R
D703,069 S * 4/2014 Adams D10/31
D721,701 S * 1/2015 Al-Nasser D14/344
D733,130 S * 6/2015 Kim D14/344
D742,874 S * 11/2015 Cheng D14/344
D745,421 S * 12/2015 Akana D10/32

(Continued)

OTHER PUBLICATIONS

C' est impermeabile Bluetooth smart watch Fitness braccialeto Contapassi Cardiofrequenzimetro per Android IOS Smartphone, Black, 220*20*15mm, posted Nov. 22, 2016, [retrieved Jun. 24, 2017]. Retrieved from Internet, <URL: <https://www.amazon.it/impermeabile-braccialeto-Contapassi-Cardiofrequenzimetro-Smartphone/dp/B01L5325RG> >.*

(Continued)

Primary Examiner — Barbara Fox

Assistant Examiner — Kristin E Reed

(74) *Attorney, Agent, or Firm* — Hoffmann & Baron, LLP

(57) **CLAIM**

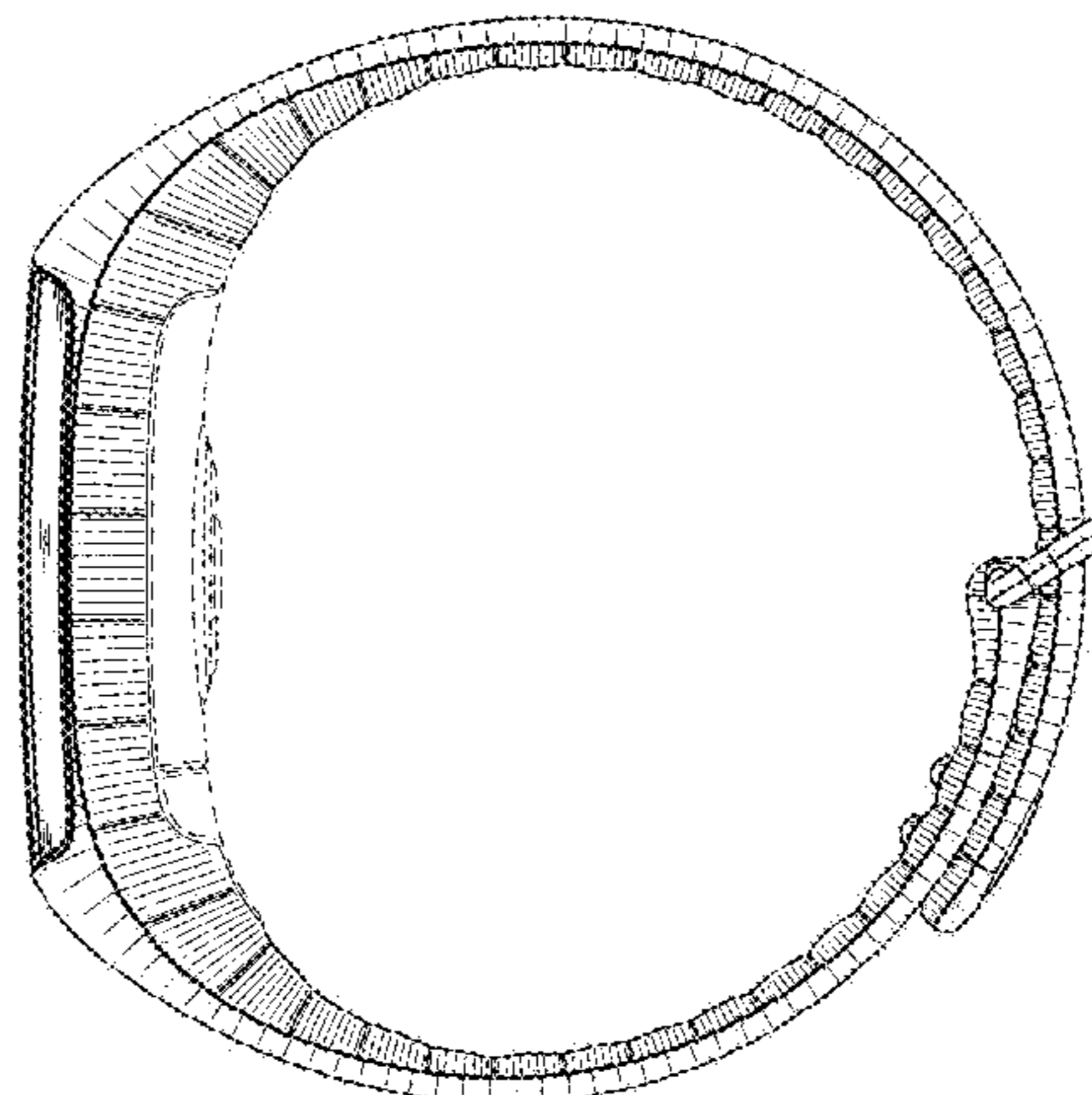
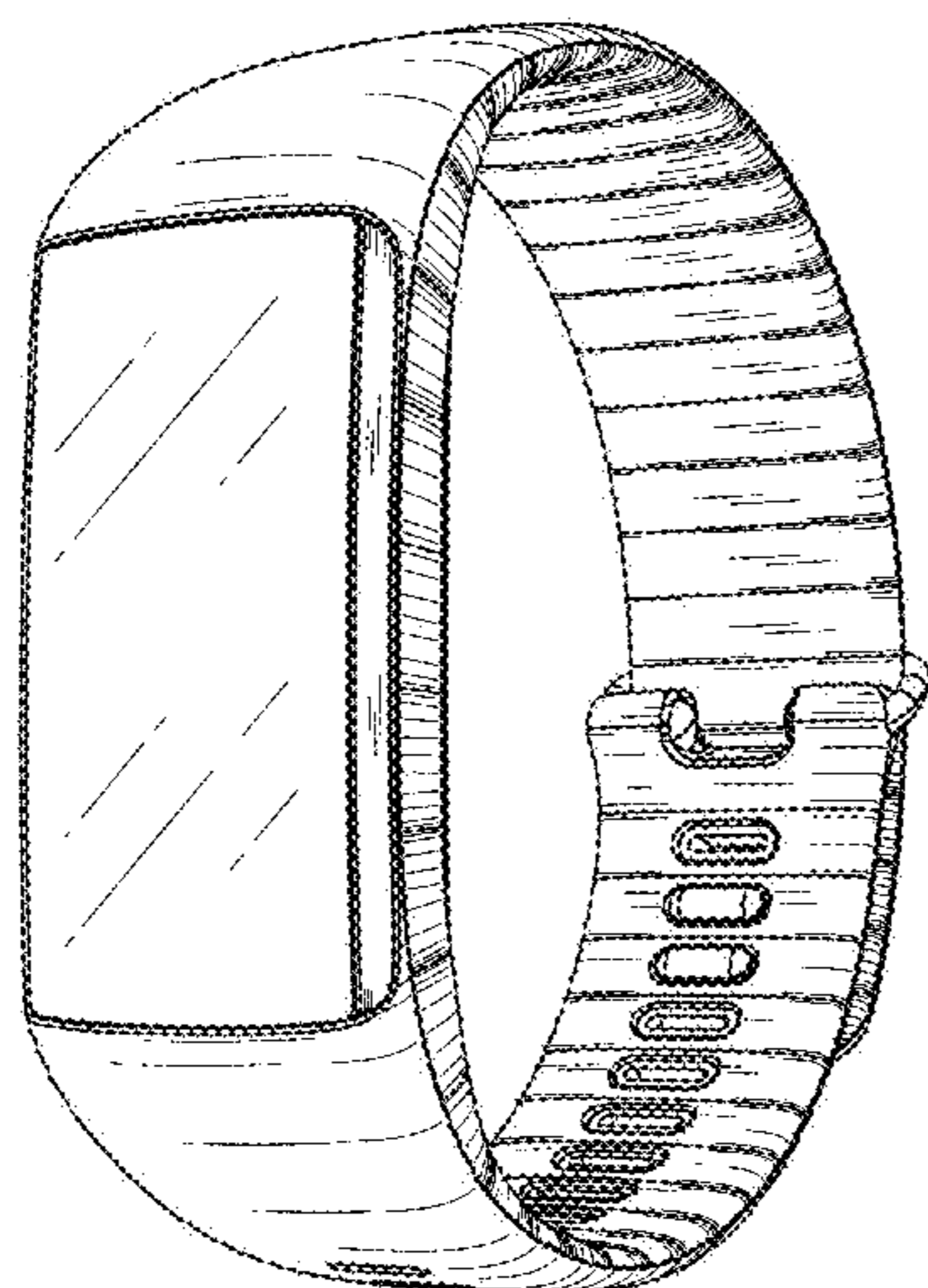
The ornamental design for a personal lifestyle monitoring and management device, as shown and described.

DESCRIPTION

FIG. 1 is an isometric view of the personal lifestyle monitoring and management device showing my new design; FIG. 2 is a left-side view thereof; FIG. 3 is a right-side view thereof; FIG. 4 is a front view thereof; FIG. 5 is a top view thereof; and, FIG. 6 is a bottom view thereof.

The broken lines in the drawings depict portions of the personal lifestyle monitoring and management device form no part of the claimed design.

1 Claim, 6 Drawing Sheets



(56)

References Cited

U.S. PATENT DOCUMENTS

9,400,489 B2 * 7/2016 Kim G04G 21/02
9,640,858 B1 * 5/2017 Islam H01Q 1/273
2015/0181087 A1 * 6/2015 Mistry H04N 5/2252
348/158

OTHER PUBLICATIONS

IWOWNFIT i6 Pro A Bluetooth 4.0 Smart Wristband, posted unknown, [retrieved Jun. 24, 2017]. Retrieved from Internet, <URL: <https://www.igeekphone.com/iwownfit-i6-pro-a-bluetooth-4-0-smart-wristband/> >.*

Fitness-Tracker mit integrierter Pulsfunktion Polar A360 Black Schwarz, posted Aug. 27, 2016, [retrieved Jun. 24, 2017]. Retrieved from Internet, <URL: <http://www.conrad.ch/ce/de/product/1399404/Fitness-Tracker-mit-integrierter-Pulsfunktion-Polar-A360-Black-Schwarz> >.*

* cited by examiner

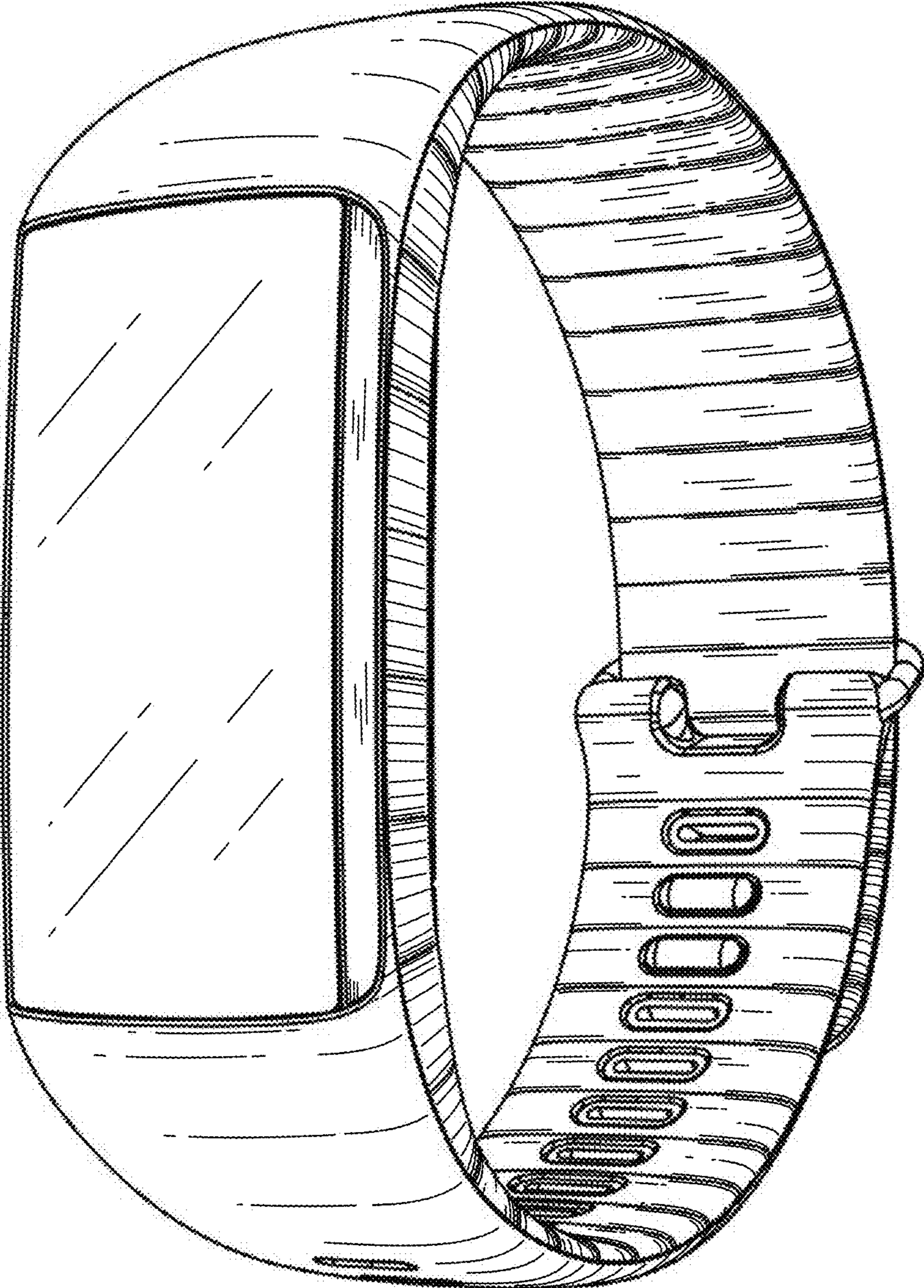


FIG. 1

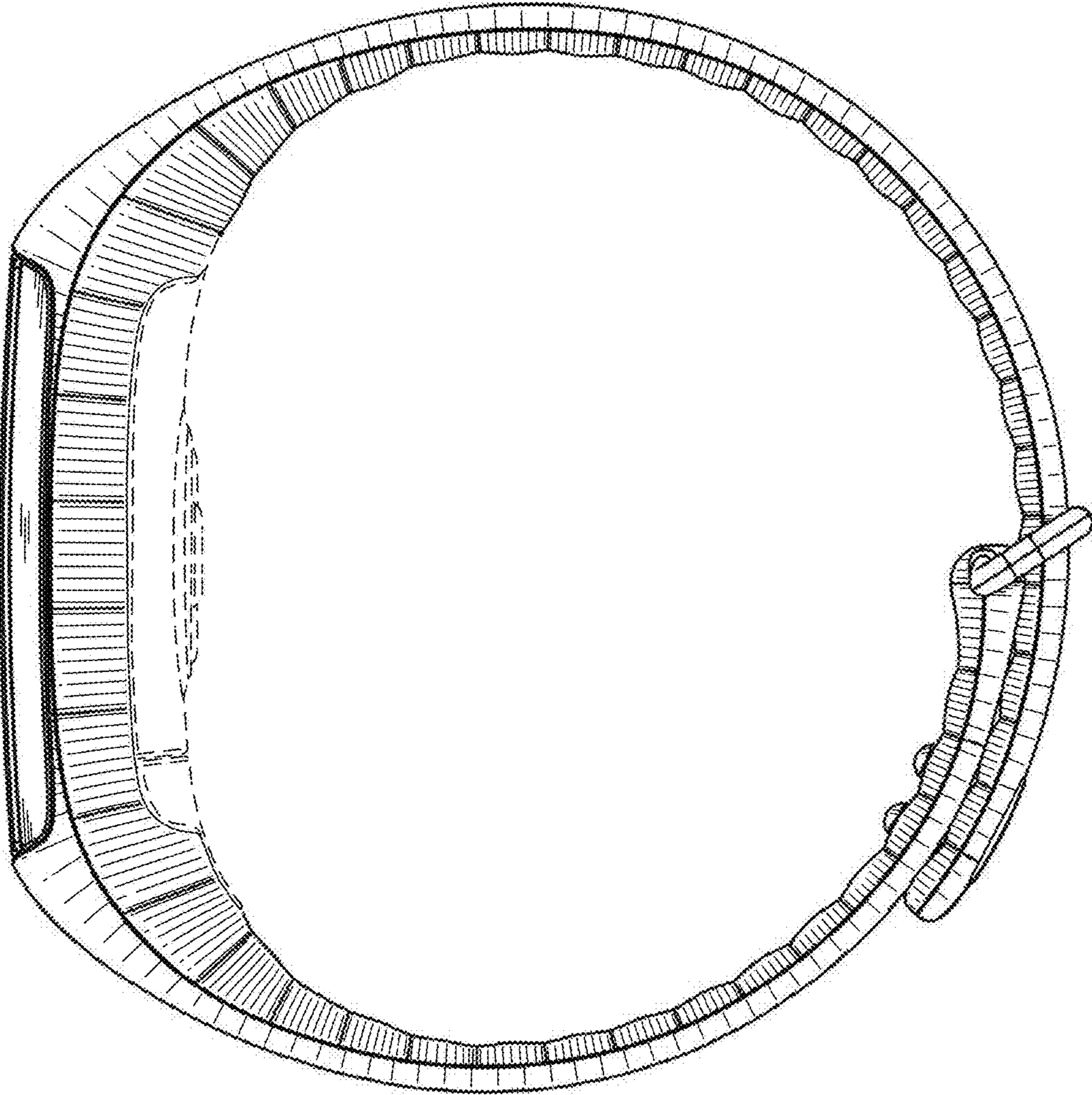


FIG. 2

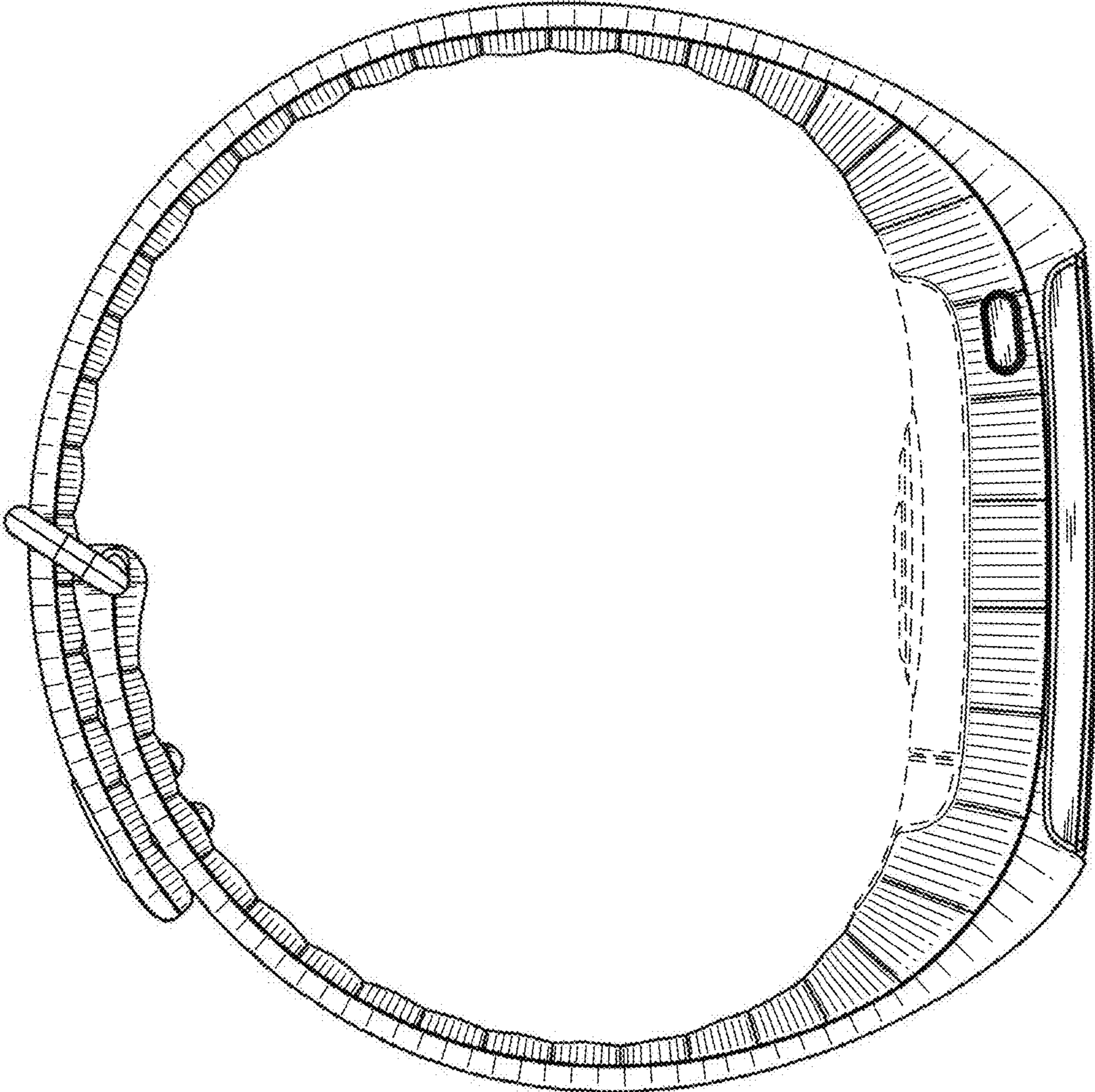


FIG. 3

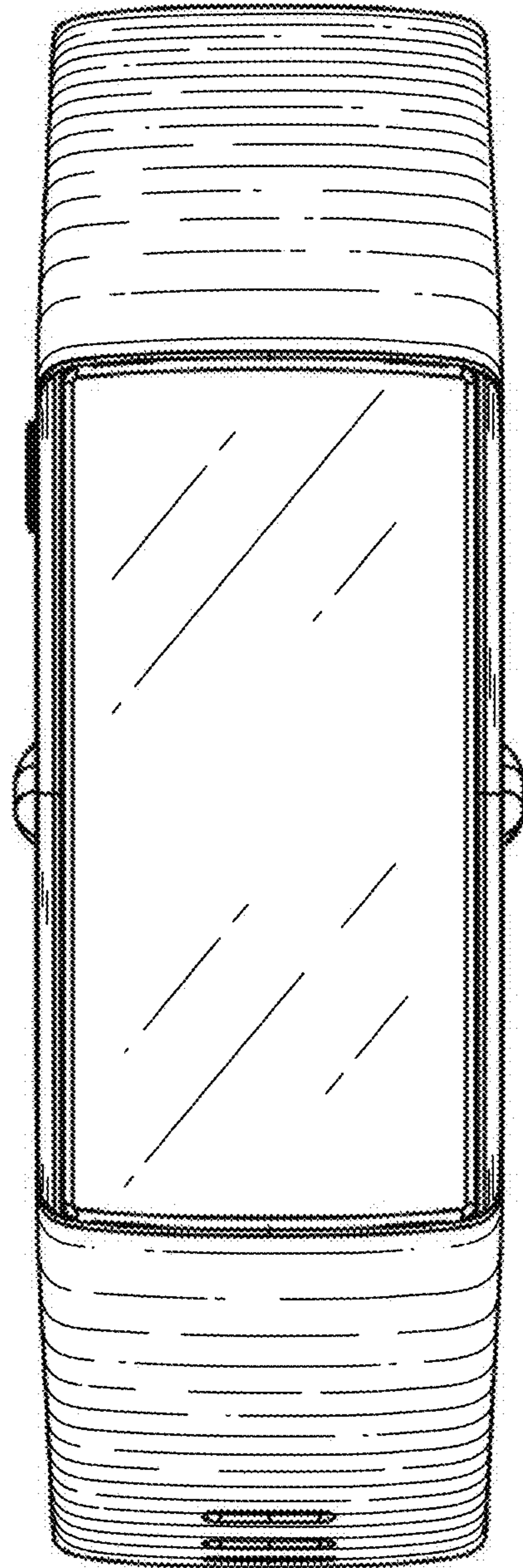


FIG. 4

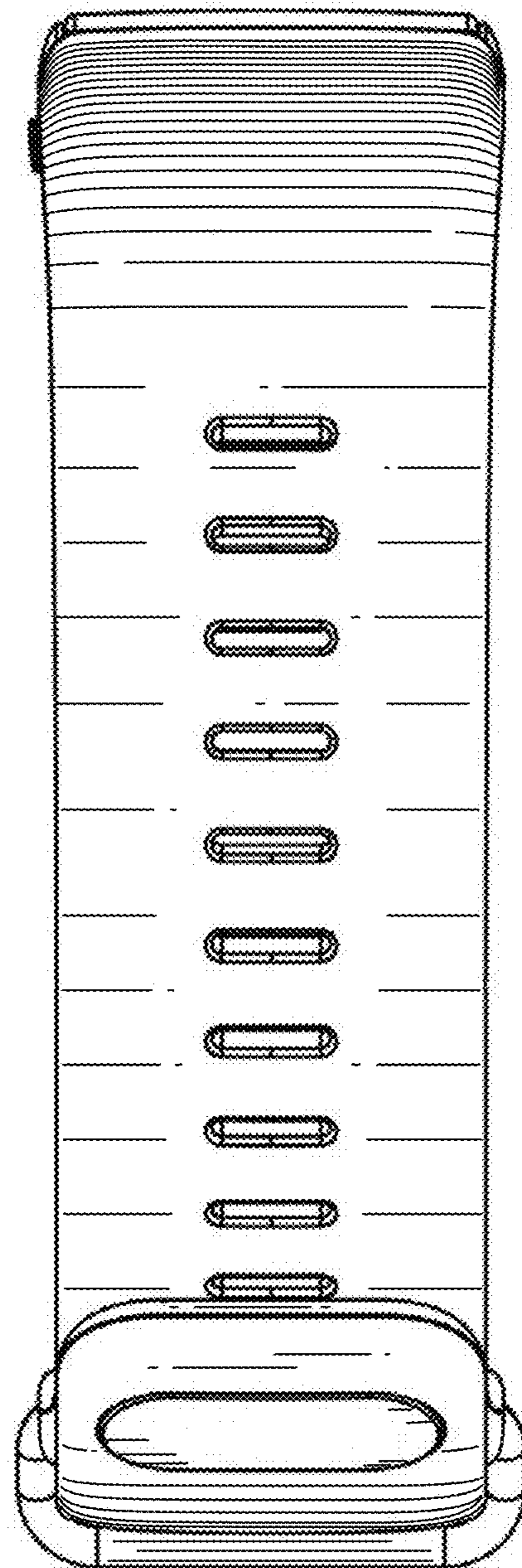


FIG. 5

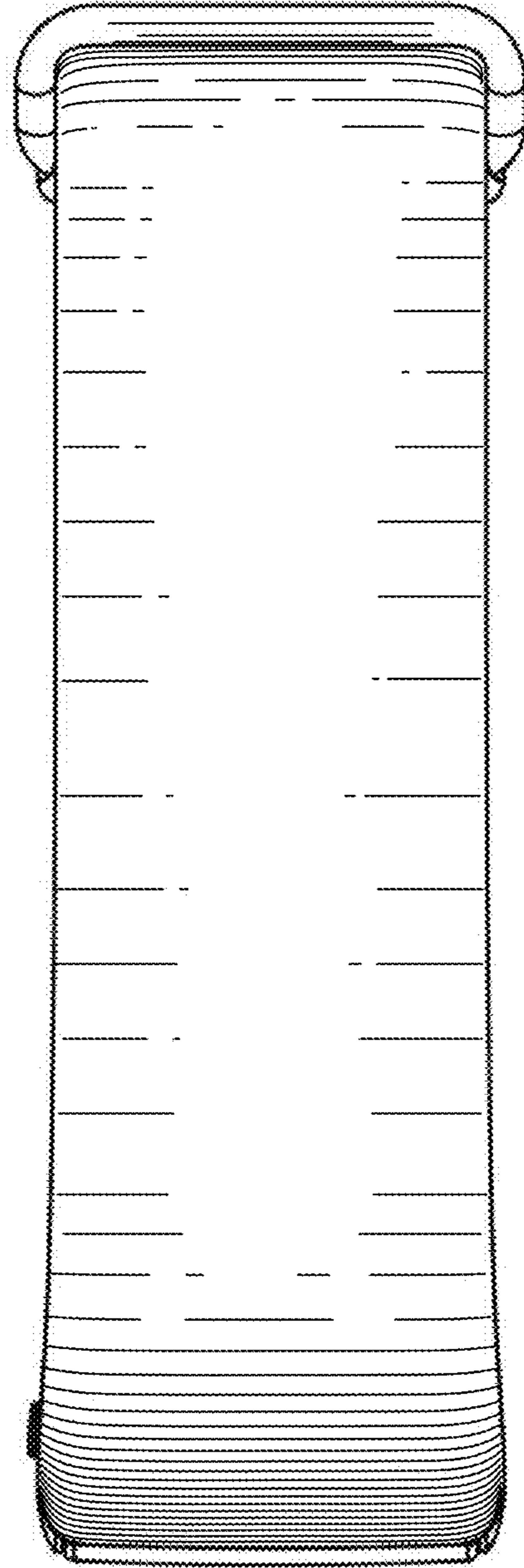


FIG. 6