



US00D815633S

(12) **United States Design Patent** (10) **Patent No.:** **US D815,633 S**
Akana et al. (45) **Date of Patent:** **** Apr. 17, 2018**

(54) **ELECTRONIC DEVICE**

(71) Applicant: **Apple Inc.**, Cupertino, CA (US)

(72) Inventors: **Jody Akana**, San Francisco, CA (US); **Molly Anderson**, San Francisco, CA (US); **Bartley K. Andre**, Palo Alto, CA (US); **Shota Aoyagi**, San Francisco, CA (US); **Anthony Michael Ashcroft**, San Francisco, CA (US); **Marine C. Bataille**, San Francisco, CA (US); **Jeremy Bataillou**, San Francisco, CA (US); **Daniele De Iuliis**, San Francisco, CA (US); **Markus Diebel**, San Francisco, CA (US); **M. Evans Hankey**, San Francisco, CA (US); **Julian Hoenig**, San Francisco, CA (US); **Richard P. Howarth**, San Francisco, CA (US); **Jonathan P. Ive**, San Francisco, CA (US); **Julian Jaede**, San Francisco, CA (US); **Duncan Robert Kerr**, San Francisco, CA (US); **Peter Russell-Clarke**, San Francisco, CA (US); **Benjamin Andrew Shaffer**, San Jose, CA (US); **Mikael Silvanto**, San Francisco, CA (US); **Christopher J. Stringer**, Woodside, CA (US); **Joe Tan**, San Francisco, CA (US); **Clement Tissandier**, San Francisco, CA (US); **Eugene Antony Whang**, San Francisco, CA (US); **Rico Zörkendörfer**, San Francisco, CA (US)

(73) Assignee: **Apple Inc.**, Cupertino, CA (US)

(**) Term: **15 Years**

(21) Appl. No.: **29/630,606**

(22) Filed: **Dec. 21, 2017**

Related U.S. Application Data

(63) Continuation of application No. 29/583,023, filed on Nov. 1, 2016, now Pat. No. Des. 806,705.

(51) **LOC (11) Cl.** 14-02

(52) **U.S. Cl.**
USPC **D14/341**; D14/138 R

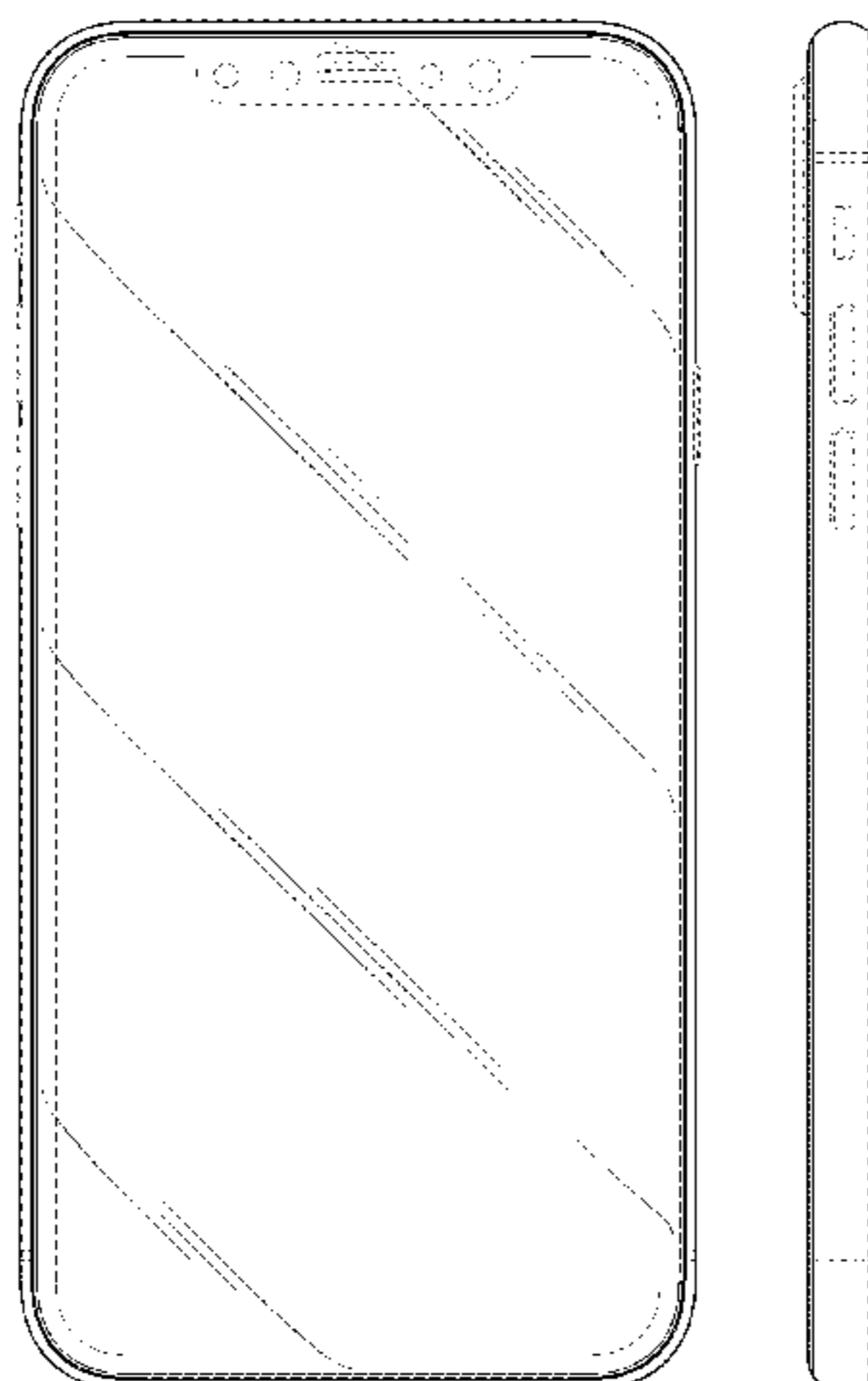
(58) **Field of Classification Search**
USPC D14/341-347, 125-134, 137, 138 R, D14/138 AA, 138 AB, 138 C, 138 G, 147, D14/203.1, 203.3, 203.4, 203.7, 218, 247, D14/248, 332, 336, 371, 374-377, 388, D14/389, 315-318, 420, 426, 429, 440, D14/448, 450, 489, 492, 496; D6/300-310; D16/241; D18/6; D20/10, D20/19, 39; D21/329, 330
CPC . A63H 33/3016; G06F 1/1613; G06F 1/1641; G06F 1/1643; G06F 1/1647; G06F 3/04883; G06F 3/0486; G06F 3/04847; G06F 3/04845; G06F 3/0484; G06F 3/04817; H05K 5/0004; H05K 5/0017; H05K 5/02; H05K 5/0217; H04M 1/0279; H04M 1/0281; H04M 1/0283; H04N 13/0459

See application file for complete search history.

(56) **References Cited**

U.S. PATENT DOCUMENTS

D337,569 S *	7/1993	Kando	D14/341
D504,889 S	5/2005	Andre et al.		
D548,732 S	8/2007	Cebe et al.		
D558,756 S	1/2008	Andre et al.		
D558,757 S	1/2008	Andre et al.		
D558,758 S	1/2008	Andre et al.		
D573,143 S	7/2008	Park et al.		
D580,387 S	11/2008	Andre		
D597,067 S	7/2009	Oh et al.		
D599,342 S	9/2009	Andre et al.		
D600,241 S	9/2009	Andre et al.		
D602,014 S	10/2009	Andre et al.		
D602,015 S	10/2009	Andre et al.		
D602,017 S	10/2009	Andre et al.		
D602,488 S	10/2009	Jiang et al.		
D604,297 S	11/2009	Andre et al.		
7,697,281 B2 *	4/2010	Dabov	G06F 1/1626 361/679.55
D618,204 S	6/2010	Andre et al.		
D619,555 S	7/2010	Yang et al.		
D622,270 S	8/2010	Andre et al.		
D622,718 S	8/2010	Andre et al.		



D622,719 S	8/2010	Andre et al.	
D625,307 S	* 10/2010	Cheng	D14/341
D626,937 S	11/2010	Yeo et al.	
D627,344 S	11/2010	Chien et al.	
D627,778 S	11/2010	Akana et al.	
D636,390 S	4/2011	Andre et al.	
D636,752 S	4/2011	Liao et al.	
D638,003 S	5/2011	Chen	
D638,815 S	5/2011	Lee et al.	
D639,261 S	6/2011	Garnham et al.	
D639,763 S	6/2011	Kim et al.	
D639,771 S	6/2011	Chen	
D640,663 S	6/2011	Arnholt et al.	
D642,563 S	8/2011	Akana et al.	
D648,303 S	11/2011	Park et al.	
D649,968 S	12/2011	Li	
D654,887 S	2/2012	McManigal et al.	
D656,477 S	3/2012	Yi et al.	
D662,503 S	6/2012	Akana et al.	
D673,562 S	1/2013	Johnson	
D677,641 S	3/2013	Sutherland et al.	
D680,092 S	4/2013	Tsai et al.	
D681,032 S	4/2013	Akana et al.	
D681,632 S	* 5/2013	Akana	D14/341
D684,571 S	6/2013	Akana et al.	
D686,586 S	7/2013	Cho et al.	
D687,404 S	* 8/2013	Yoshimura	D14/138
D688,218 S	8/2013	Lee	
D688,221 S	8/2013	Zuffo et al.	
D689,455 S	9/2013	Daniel	
8,526,180 B2	9/2013	Rayner	
D693,785 S	11/2013	Sutherland et al.	
D697,911 S	1/2014	McManigal et al.	
D698,770 S	2/2014	Park	
D702,219 S	4/2014	Suk	
D705,188 S	5/2014	Chau et al.	
D706,235 S	6/2014	Kim	
D706,251 S	6/2014	Park	
D706,301 S	6/2014	Akana et al.	
D707,223 S	* 6/2014	Akana	D14/341
D708,608 S	7/2014	Sugiyama et al.	
D710,815 S	* 8/2014	Kim	D14/138 G
8,804,353 B2	8/2014	Montevirgen et al.	
D712,384 S	9/2014	Hibi	
D713,833 S	9/2014	Wilkey	
D720,747 S	* 1/2015	Kim	D14/345
D721,344 S	1/2015	Lee et al.	
D731,481 S	* 6/2015	Akana	D14/341
D732,498 S	* 6/2015	Huang	D14/138 G
D743,931 S	* 11/2015	Hubbard	D14/203.7
D751,051 S	3/2016	Cho et al.	
D755,148 S	* 5/2016	Wu	D14/138 G
D759,008 S	6/2016	Akana et al.	
D767,522 S	9/2016	Wu et al.	
D770,433 S	11/2016	Kangasmaa et al.	
D771,622 S	11/2016	Akana et al.	
D777,700 S	1/2017	Kwon et al.	
D778,867 S	2/2017	Husgafvel et al.	
D781,807 S	* 3/2017	Hubbard	D14/138 G
D783,565 S	4/2017	Kim et al.	
D783,566 S	4/2017	Kim et al.	
D783,602 S	* 4/2017	Akana	D14/341
D784,314 S	4/2017	Ryu et al.	
D784,315 S	4/2017	Ryu et al.	
D786,229 S	5/2017	Kim et al.	
D790,535 S	6/2017	Akana et al.	
D792,366 S	7/2017	Zhang et al.	
D794,623 S	8/2017	Kwon et al.	
D796,500 S	* 9/2017	Yeom	D14/341
D797,722 S	* 9/2017	Lee	D14/341
D798,851 S	10/2017	Kim et al.	
D798,852 S	10/2017	Kim et al.	
D800,710 S	10/2017	Ryu et al.	
D800,716 S	* 10/2017	Akana	D14/341
D801,321 S	10/2017	Kim et al.	
D805,495 S	* 12/2017	Kester	D14/138 R
D806,705 S	* 1/2018	Akana	D14/341
2011/0050560 A1	3/2011	Foster et al.	

FOREIGN PATENT DOCUMENTS

CN	301300814 S	8/2010
CN	301867415 S	3/2012
CN	302242618 S	12/2012
CN	302268386 S	1/2013
CN	302279529 S	1/2013
CN	302321988 S	2/2013
CN	302333118 S	2/2013
CN	302350915 S	3/2013
CN	302404040 S	4/2013
CN	302430473 S	5/2013
CN	202998218 U	6/2013
CN	302455942 S	6/2013
CN	302476338 S	6/2013
CN	302560014 S	9/2013
CN	302588771 S	9/2013
CN	302606411 S	10/2013
CN	302619300 S	10/2013
CN	302748579 S	2/2014
CN	302808732 S	4/2014
CN	302873818 S	7/2014
CN	302982246 S	10/2014
CN	303000183 S	11/2014
CN	303000194 S	11/2014
CN	303617715 S	3/2016
CN	303647864 S	4/2016
CN	303774339 S	8/2016
CN	303805687 S	8/2016
CN	304095914 S	4/2017
CN	304095915 S	4/2017
CN	304130421 S	5/2017
EM	002088591-0001	8/2012
IN	2768570001	2/2016
JP	D1326330	4/2008
JP	D1351277	2/2009
JP	D1456810	12/2012
JP	D1469635	5/2013
JP	D1478342	9/2013
JP	D1548987	5/2016
JP	D1563161	11/2016
JP	D1574816	4/2017
KR	300849814	4/2016
KR	300902453	9/2017
RU	85816	7/2013
RU	89999 U1	9/2014
RU	90363 U1	10/2014
RU	104650 U1	8/2017
TW	D149042 S	9/2012
WO	DM080555 S	2/2013

OTHER PUBLICATIONS

Hands-On With an iPhone 8 Dummy Model, posted Aug. 10, 2017, [retrieved Aug. 28, 2017]. Retrieved from Internet, <URL: <https://www.youtube.com/watch?v=YuQUBh0AbUM> >.*

Apple iPhone 7 is here with a water resistant body, better cameras, 256GB capacity & no headphone jack, posted Sep. 8, 2016, [retrieved Aug. 28, 2017]. Retrieved from Internet, <URL: <https://collinsdail.blogspot.com/2016/09/apple-iphone-7-is-here-with-water.html> >.*

Apple Iphone 7 and 7plus 1 New Camera, posted Sep. 8, 2016, [retrieved Aug. 28, 2017]. Retrieved from Internet, <URL: <http://sujoyrdas.blogspot.com/2016/09/apple-iphone-7-and-7plus-new-camera.html> >.*

Apple iPhone 7 is here with a water resistant body, better cameras, 256GB capacity & no headphone jack, posted Sep. 8, 2016, [retrieved Aug. 28, 2017]. Retrieved from Internet< URL: <https://collinsdail.blogspot.com/2016/09/apple-iphone-7-is-here-withwater.html>>.*

Apple Iphone 7 and 7plus 1 New Camera, posted Sep. 8, 2016, [retrieved Aug. 28, 2017]. Retrieved from Internet< URL:<http://sujoyrdas.blogspot.com/2016/09/apple-iphone-7-and-7plus-new-camera.html>>.*

Carlson, Ronald, Tapscape.com, “Translucent iPhone: Will Apple Revisit G3 iMac?,” accessed at <http://www.tapscape.com/translucent-iphone/>, accessed on Apr. 3, 2013, 3 pages.

ConceptsiPhone, “iPhone 8 and iPhone 8 Plus—Introducing” Youtube, Oct. 7, 2016, accessed at <https://www.youtube.com/watch?v=WSf8aJIYCjg>.

Cultofandroid, “This Android-Powered iPhone 5C Clone Will Cost Just \$100 in China” accessed at http://www.cultofandroid.com/40408/this-android-powered-iphone-5c-clone-will-cost-just-100-in-china/?utm_campaign=twitter&utm_medium=twitter&utm_source=twitter, accessed on Aug. 27, 2013, 2 pages.

Daily Life News, “iPhone 5s Leaked Images Hint 2 Different Screen Sizes.” accessed at <https://www.youtube.com/watch?v=8tcTHa63WHI>, accessed on Apr. 10, 2013, 4 pages.

Engadget, “Meizu’s M8? Apple lawyers, start your engines,” accessed at <http://www.engadget.com/2007/01/29/meizus-m8-apple-lawyers-start-your-engines/>, accessed on Jan. 29, 2007, 3 pages.

Faulkner, Cameron, “Essential Phone Review”, Tech Radar, [retrieved on Nov. 25, 2017], 2017, accessed at Retrieved from the Internet< URL: <http://www.techradar.com/reviews/essential-phone>>.

Gokey, M., “LG G3 vs. HTC One M8: Which Android Flag Should iPhone Haters Fly?,” published Sep. 18, 2014, accessed at www.digitaltrends.com/mobile/lg-g3-vs-htc-one-m8/, 12 pages.

Gsmarena, “Nokia Lumia 820”, accessed at http://www.gsmarena.com/nokia_luna_820-4968.php, accessed on Aug. 29, 2013, 1 page.

Gsmarena, “Xiaomi MI-2”, accessed at http://www.gsmarena.com/xiaomi_mi_2-4928.php0, accessed on Aug. 29, 2013, 1 page.

Gsmarena, “Xiaomi MI-2s”, accessed at http://www.gsmarena.com/xiaomi_mi_2s-5397.php, accessed on Aug. 29, 2013, 1 page.

Hands-On With an iPhone 8 Dummy Model, posted Aug. 10, 2017, [retrieved Aug. 28, 2017]. Retrieved from Internet< URL: <https://www.youtube.com/watch?v=YuQUBhOAbUM>>.

“iPhone 6, Une Énième Maquette Comparée Avec L’iPhone 5s,” published May 3, 2014, accessed at <http://www.nowhereelse.fr/iphone-6-maquette-comparee-iphone-5s-97315/>, 2 pages.

“Sharp Executive Confirms iPhone 8 to Use OLED Display; Limited to Only Premium 5.5-inch Plus Model” Oct. 29, 2016, accessed at <http://www.redsn0w.us/2016/10/sharp-executive-confirms-iphone-8-to.html>> .

MacManus, Christopher, cnet.com, “Artist pictures a budget iPhone—in color.” accessed at <http://www.cnet.com/au/news/artist-pictures-a-budget-iphone-in-color/>, accessed at Mar. 21, 2013, 4 pages.

Mayo, B., “Purported iPhone 6 Pictures Show Protruding Camera, Rounded Edges,” 9to5Mac.com, accessed at <http://9to5mac.com/2014/03/31/purported-iphone-6-pictures-show-protruding-camera-rounded-edges/>, 23 pages.

Mia P., “Apple Leak Reveals All Glass Phone With 3D Sensor; Touch Bar Feature Redefines Emoji Use; Is This iPhone 8?” GameNGuide, Oct. 31, 2016, accessed at <http://www.gamenguide.com/articles/60727/20161031/apple-leak-reveals-all-glass-phone-with-3d-sensor-touch-bar-feature-redefines-emoji-use-is-this-iphone-8.htm>>.

Nokia, “Nokia Lumia 820—Our most versatile Lumia”, accessed at <http://www.nokia.com/global/products/phone/lumia820/>, accessed on Aug. 29, 2013, 3 pages.

@NowhereElseFr, “Just Another Purported #iPhone6 or #iPhoneAir Dummy . . . #Apple,” published May 4, 2014, accessed at <https://twitter.com/NowhereElseFr/status/462938116924264448/photo/1>, 5 pages.

Photo-John, “Apple’s iPhone 5 Camera—What’s New?,” as archived at <https://web.archive.org/web/20140805181048/http://www.photographyreview.com/reviews/apple-iphone-5-camera-whats-new>, published Sep. 12, 2012, 3 pages.

Schroeder, Stan, “Sharp Aquos S2 is a nearly bezel-less phone with mid-range specs”, Mashable, Aug. 8, 2017.

Stuff Staff in News, stuffmideast.com “Apple’s new iPhone to come in a five colours.” accessed at <http://stuffmideast.com/2013/04/11/151344/apples-new-iphone-to-come-in-a-five-colours/>, accessed on Apr. 11, 2013, 1 page.

stuff.tv, “Spare wallets rejoice, the plastic budget iPhone 5S cometh, The iPhone 5S may not be an incremental increase but a decrease, in price and build quality.” accessed at <http://www.stuff.tv/apple/sparse-wallets-rejoice-plastic-budget-iphone-5s-cometh/news>, accessed on Mar. 23, 2013, 1 page.

Swift, “BBK Vivo Xplay X510W Review,” published Oct. 21, 2013, accessed at <http://chinesetech.net/2013/10/21/bbk-vivo-xplay-x510w-review/>, 12 pages.

TechDesigns, “iPhone 8 Official 2017— Concept” Youtube, Oct. 27, 2016, accessed at <https://www.youtube.com/watch?v=LYUJYLD1XR0>>.

welectronics.com, “Xiaomi MI 2 GSM unlocked,” accessed at <http://www.welectronics.com/gsm/misc/XIAOMI-MI-2>.

HTML?gclid=CK7Nr9bv- rYCFYOo4AodZ0EAEW, accessed at Aug. 29, 2013, 1 page.

Wu, Debbie, “All three iPhone 8 models to have glass backs” Nikkei Asian Review, Oct. 26, 2016, accessed at <https://asia.nikkei.com/Business/Companies/All-three-iPhone-8-models-to-have-glass-backs?page=1>>.

* cited by examiner

Primary Examiner — Barbara Fox

Assistant Examiner — Kristin E Reed

(74) *Attorney, Agent, or Firm* — Sterne, Kessler, Goldstein & Fox P.L.L.C.

(57)

CLAIM

The ornamental design for an electronic device, as shown and described.

DESCRIPTION

FIG. 1 is a bottom front perspective view of an electronic device showing the claimed design;

FIG. 2 is a top rear perspective view thereof;

FIG. 3 is a front view thereof;

FIG. 4 is a rear view thereof;

FIG. 5 is a left side view thereof;

FIG. 6 is a right side view thereof;

FIG. 7 is a top view thereof; and,

FIG. 8 is a bottom view thereof.

The broken lines in the figures show portions of the electronic device that form no part of the claimed design.

1 Claim, 6 Drawing Sheets

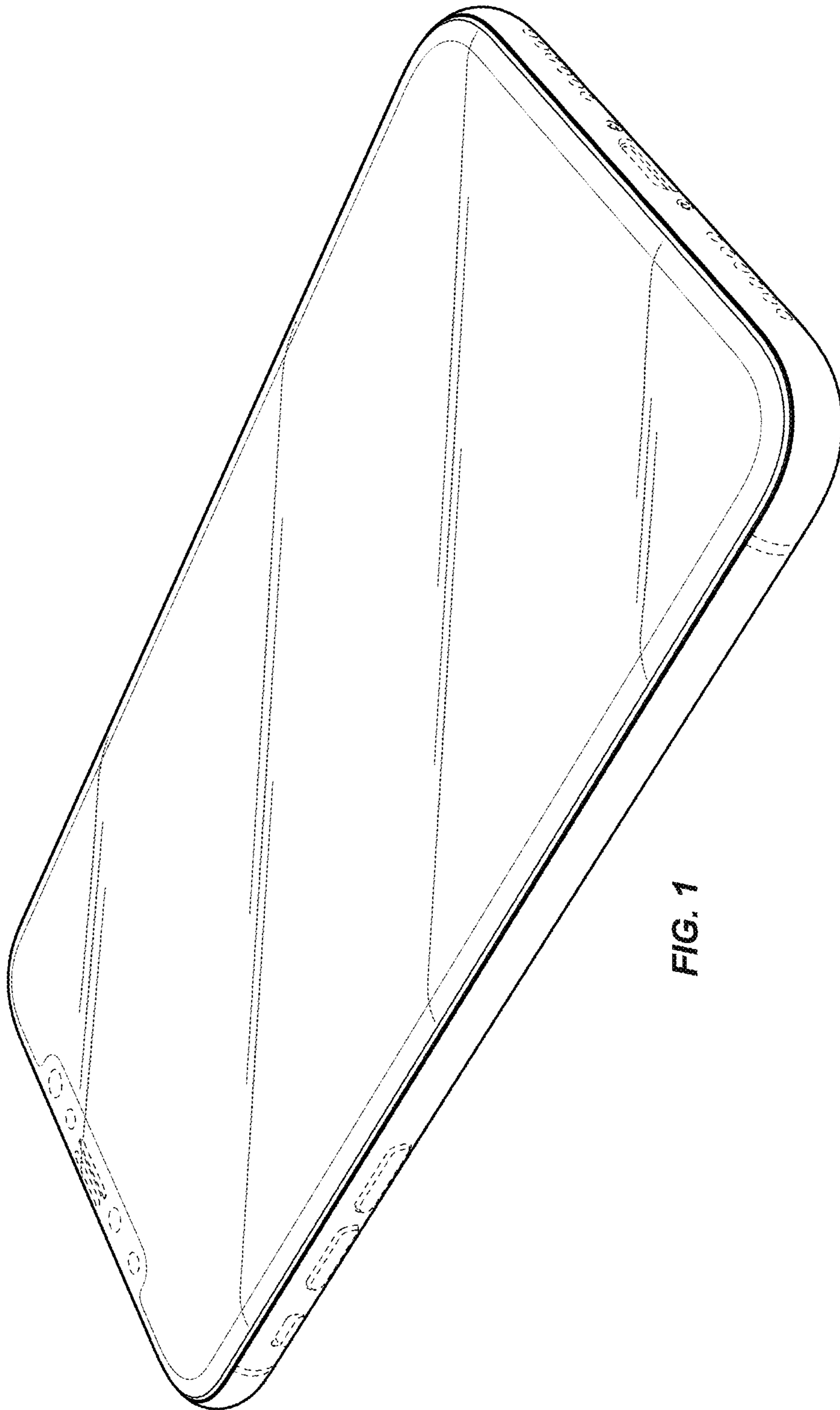
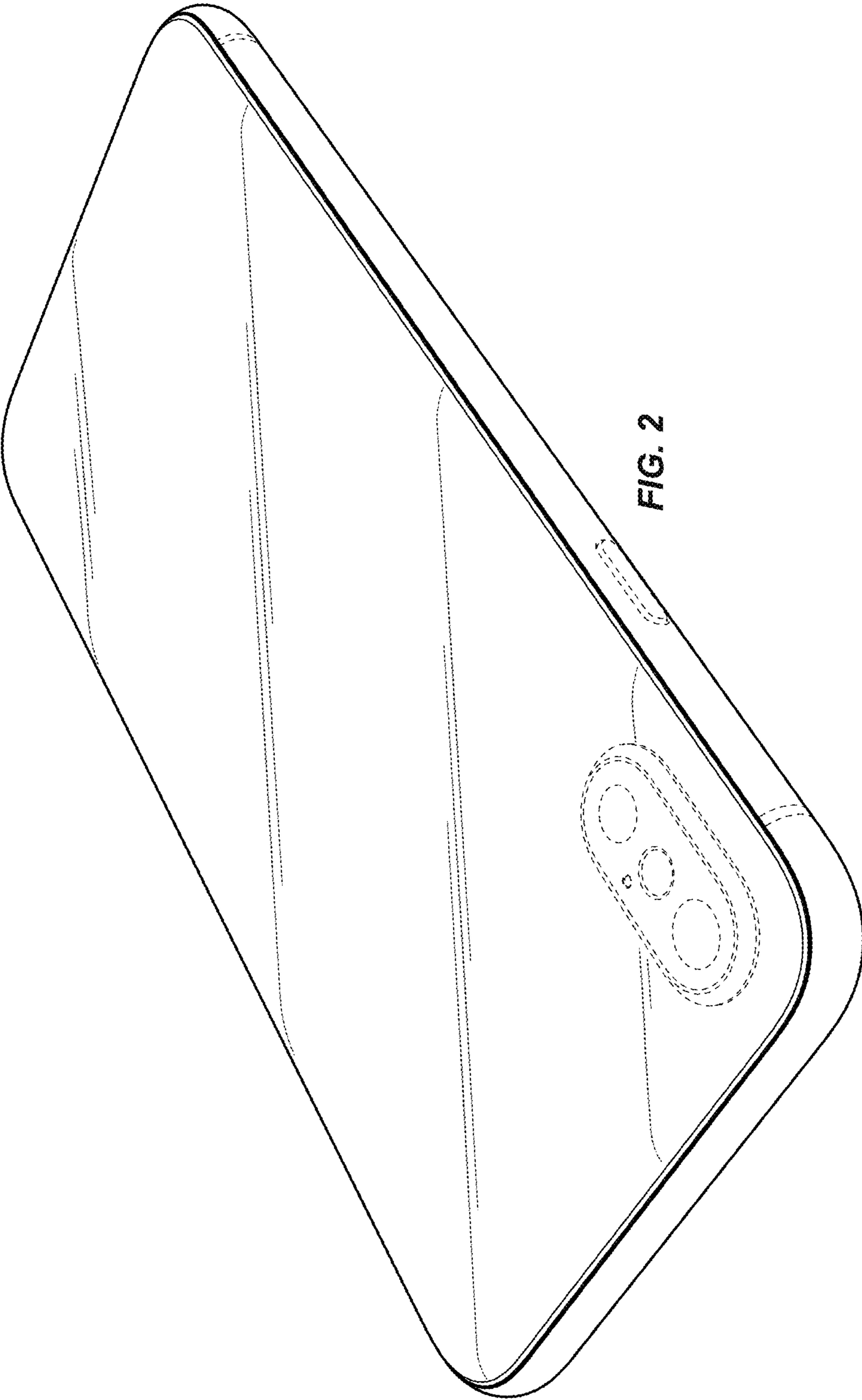


FIG. 1



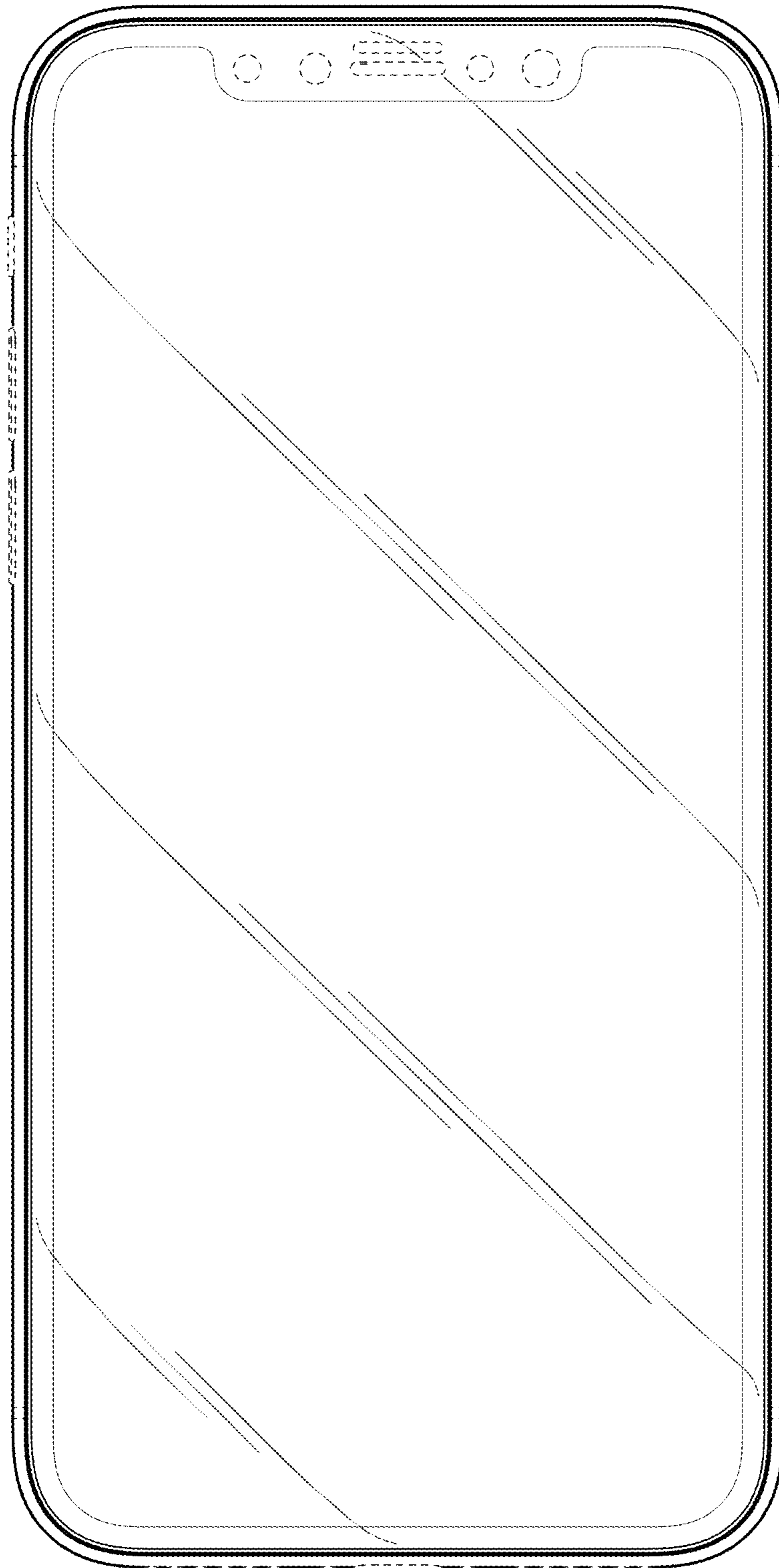


FIG. 3

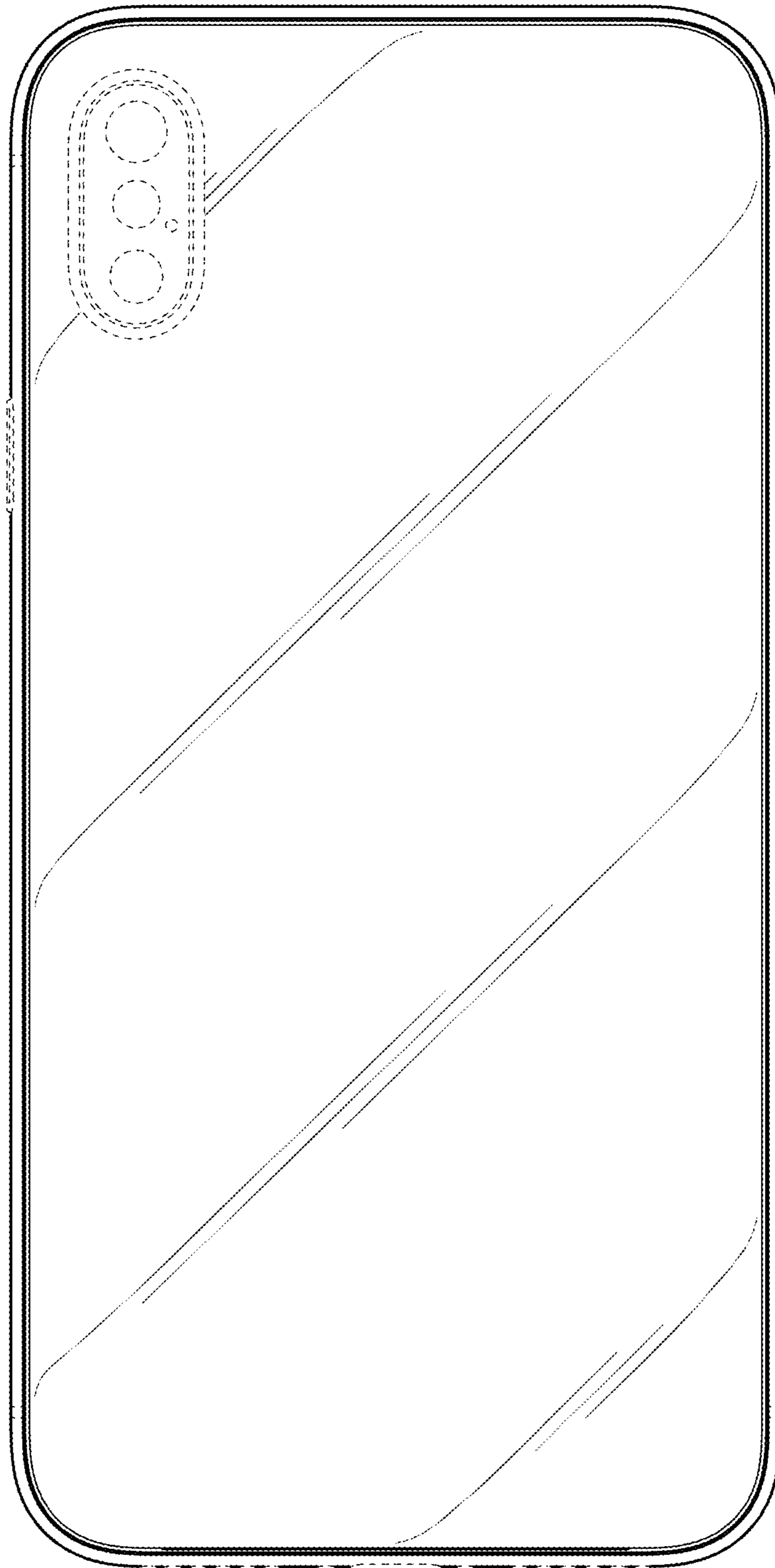


FIG. 4

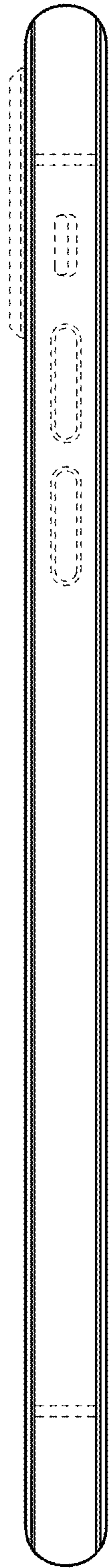


FIG. 5

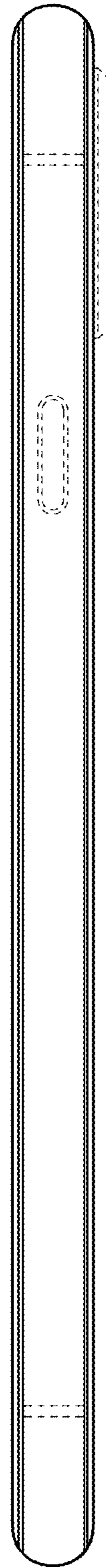


FIG. 6

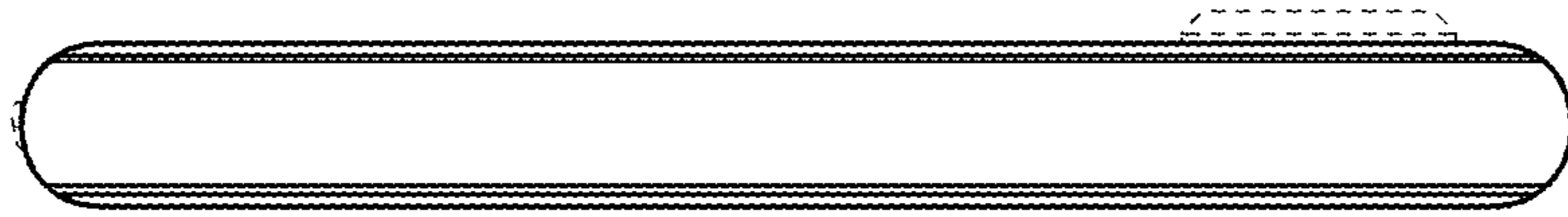


FIG. 7

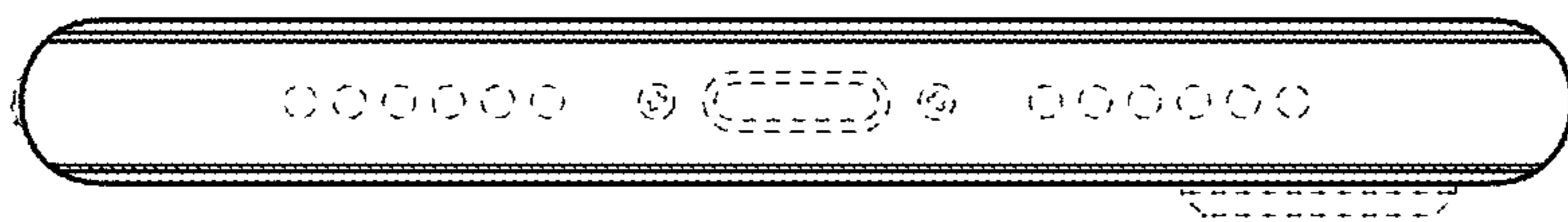


FIG. 8