



US00D815630S

(12) **United States Design Patent**  
**Nagai et al.**

(10) **Patent No.:** **US D815,630 S**  
(45) **Date of Patent:** **\*\* Apr. 17, 2018**

(54) **PORTABLE COMPUTER**  
(71) Applicant: **Panasonic Intellectual Property Management Co., Ltd., Osaka (JP)**  
(72) Inventors: **Nobuharu Nagai, Tokyo (JP); Vitali Bulgarov, Las Vegas, NV (US)**  
(73) Assignee: **Panasonic Intellectual Property Management Co., Ltd., Osaka (JP)**  
(\*\*) Term: **15 Years**

D624,069 S \* 9/2010 Peng ..... D14/324  
D680,117 S \* 4/2013 Ho ..... D14/318  
D702,679 S \* 4/2014 Li ..... D14/324  
D756,994 S \* 5/2016 Shindo ..... D14/315  
D766,232 S \* 9/2016 Suzuki ..... D14/315  
D785,634 S \* 5/2017 Iwamoto ..... D14/392  
D786,237 S \* 5/2017 Ju ..... D14/315  
2005/0111182 A1\* 5/2005 Lin ..... G06F 1/1632  
361/679.41  
2011/0255727 A1\* 10/2011 Azuchi ..... G06F 1/1616  
381/333  
2011/0310553 A1\* 12/2011 Hsiao ..... G06F 1/1616  
361/679.55

(Continued)

(21) Appl. No.: **29/611,029**  
(22) Filed: **Jul. 18, 2017**  
(51) **LOC (11) Cl.** ..... **14-02**  
(52) **U.S. Cl.**  
USPC ..... **D14/318; D14/434**  
(58) **Field of Classification Search**  
USPC .... D14/315–327, 434, 455; D18/1, 2, 7, 11;  
235/145 A, 145 R; 341/22, 23; 345/104,  
345/156, 168, 169, 173; 361/679.08,  
361/679.09, 679.11, 679.26, 679.27  
CPC ..... G06F 1/16; G06F 1/1616; G06F 1/1626;  
G06F 1/1632; G06F 1/1613; G06F  
1/1601; G06F 1/1618; G06F 1/162; G06F  
1/166; G06F 1/1654; G06F 1/1681; G06F  
1/1637; G06F 1/1688; G06F 1/1656;  
H01R 35/02; H01R 31/065; H03M 11/00;  
G09B 13/04; H03K 17/94; G09G 5/00;  
F16M 11/10; H05K 5/00; H04M 1/0237;  
H02J 7/0042; H02J 7/00; H01M 10/44;  
Y02E 60/12; Y02T 90/14; Y02T 90/122;  
Y02T 90/128; Y02T 90/163  
See application file for complete search history.

Primary Examiner — Freda S Nunn  
(74) *Attorney, Agent, or Firm* — Panasonic IP Management; Kerry S. Culpepper

(57) **CLAIM**

The ornamental design for a portable computer, as shown and described.

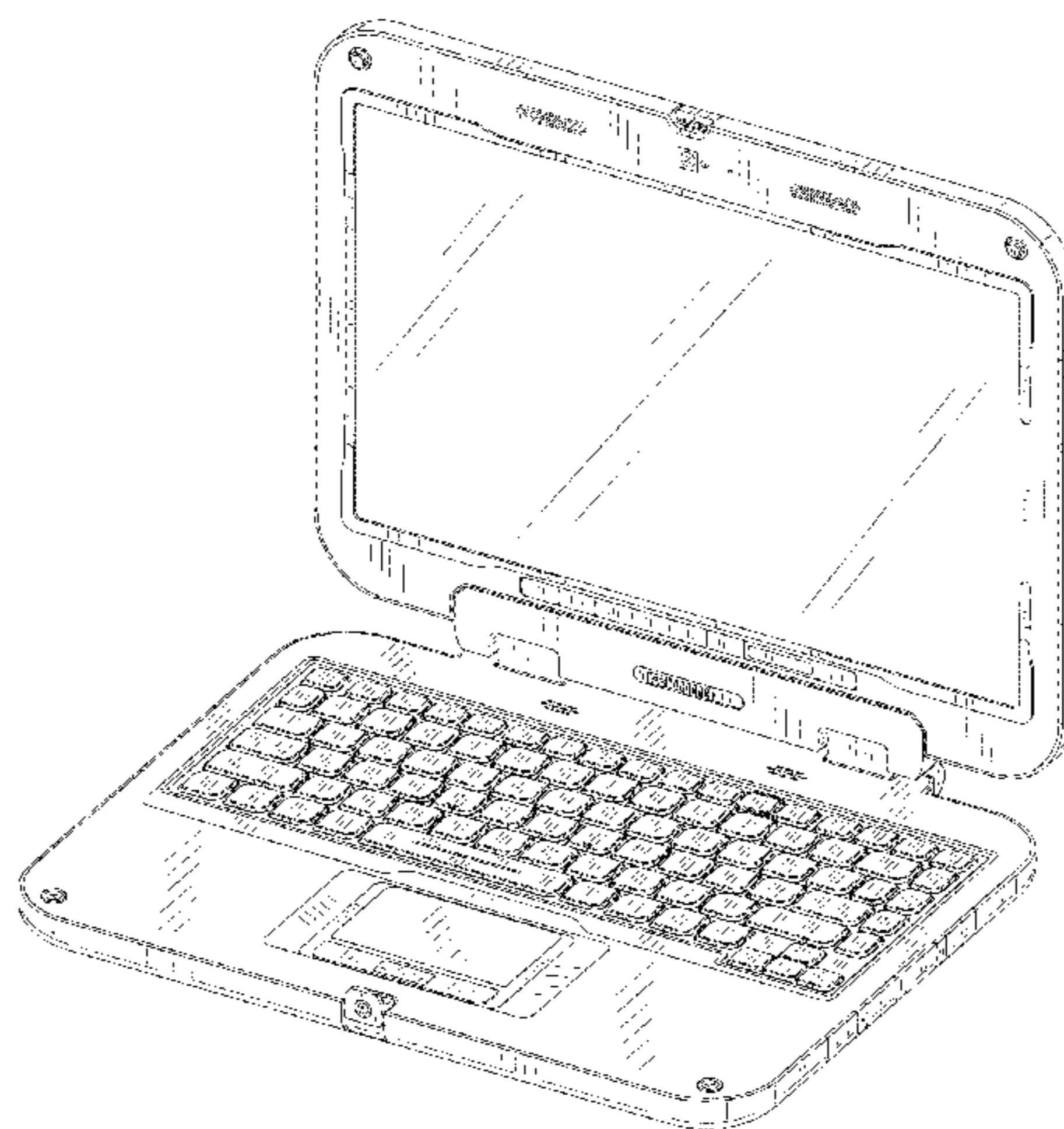
**DESCRIPTION**

FIG. 1 is a front perspective view of a portable computer of the present invention;  
FIG. 2 is a rear perspective view thereof;  
FIG. 3 is a front view thereof;  
FIG. 4 is a rear view thereof;  
FIG. 5 is a first side view thereof;  
FIG. 6 is a second side view thereof;  
FIG. 7 is a top view thereof;  
FIG. 8 is a bottom view thereof;  
FIG. 9 is a front perspective view thereof shown in a closed position;  
FIG. 10 is a rear perspective view thereof shown in a closed position;  
FIG. 11 is a front perspective view thereof with the keyboard being detached from the portable computer; and,  
FIG. 12 is a rear perspective view thereof with the keyboard being detached from the portable computer.

(56) **References Cited**  
U.S. PATENT DOCUMENTS

D588,754 S \* 3/2009 Litke ..... D29/123  
D623,648 S \* 9/2010 Hsu ..... D14/324

**1 Claim, 12 Drawing Sheets**



(56)

**References Cited**

U.S. PATENT DOCUMENTS

2012/0066424 A1\* 3/2012 Gentil ..... G06F 1/1616  
710/303  
2013/0039000 A1\* 2/2013 Vicente, Jr. .... G06F 1/1632  
361/679.41  
2016/0111830 A1\* 4/2016 Hirosawa ..... H01R 13/6683  
439/620.21  
2016/0149597 A1\* 5/2016 Takasu ..... G06F 1/1669  
455/127.2

\* cited by examiner

FIG. 1

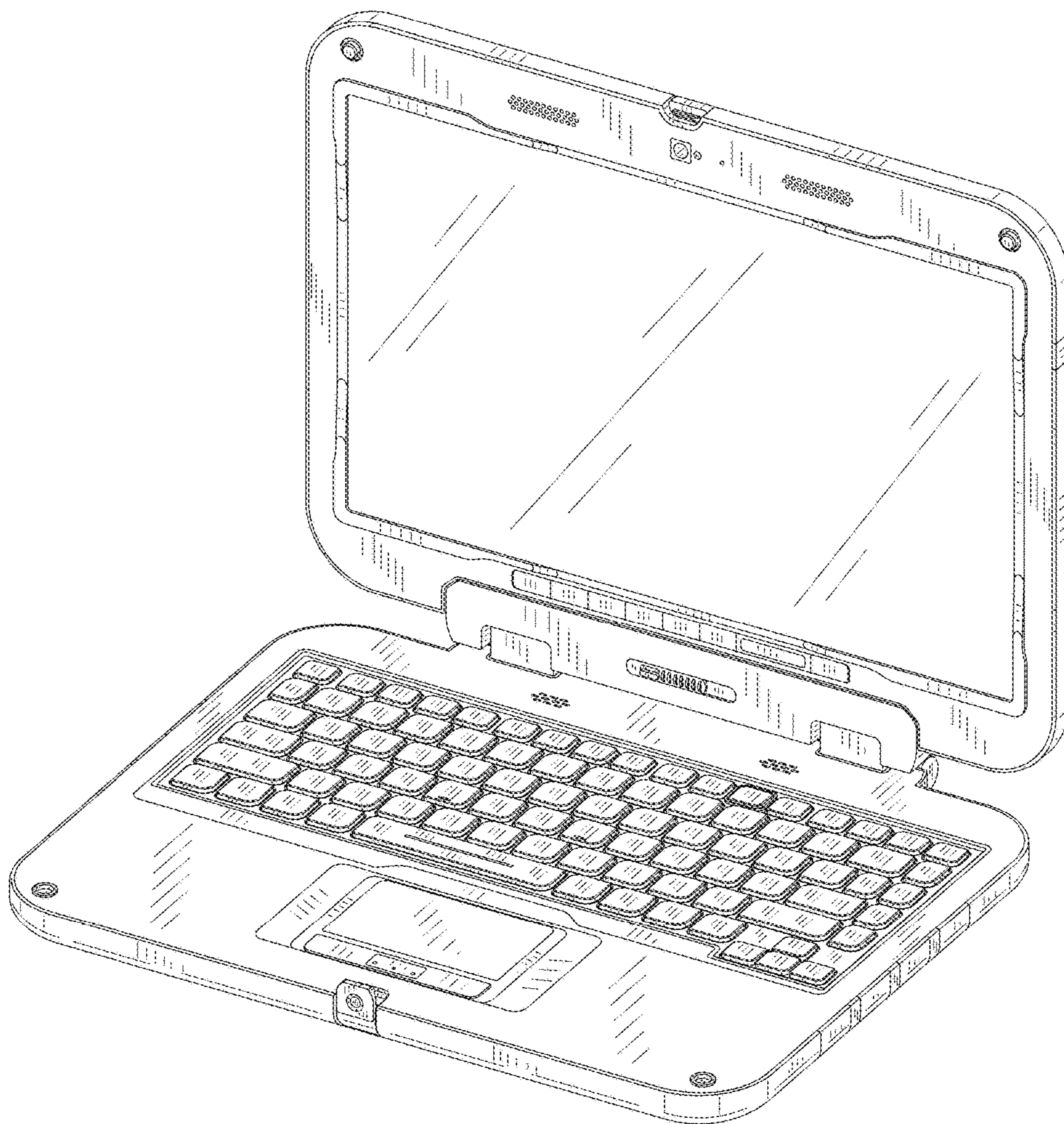


FIG. 2

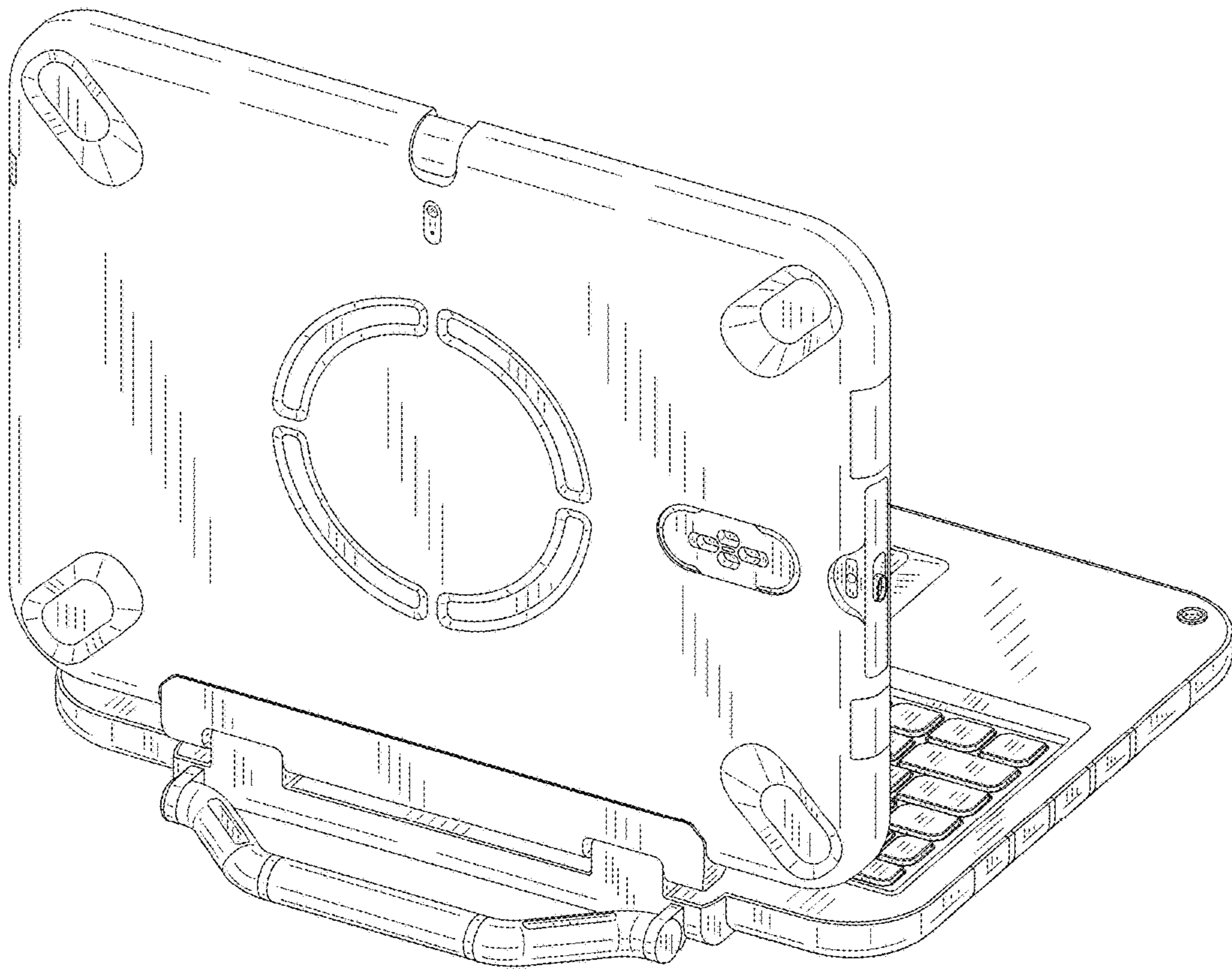


FIG. 3

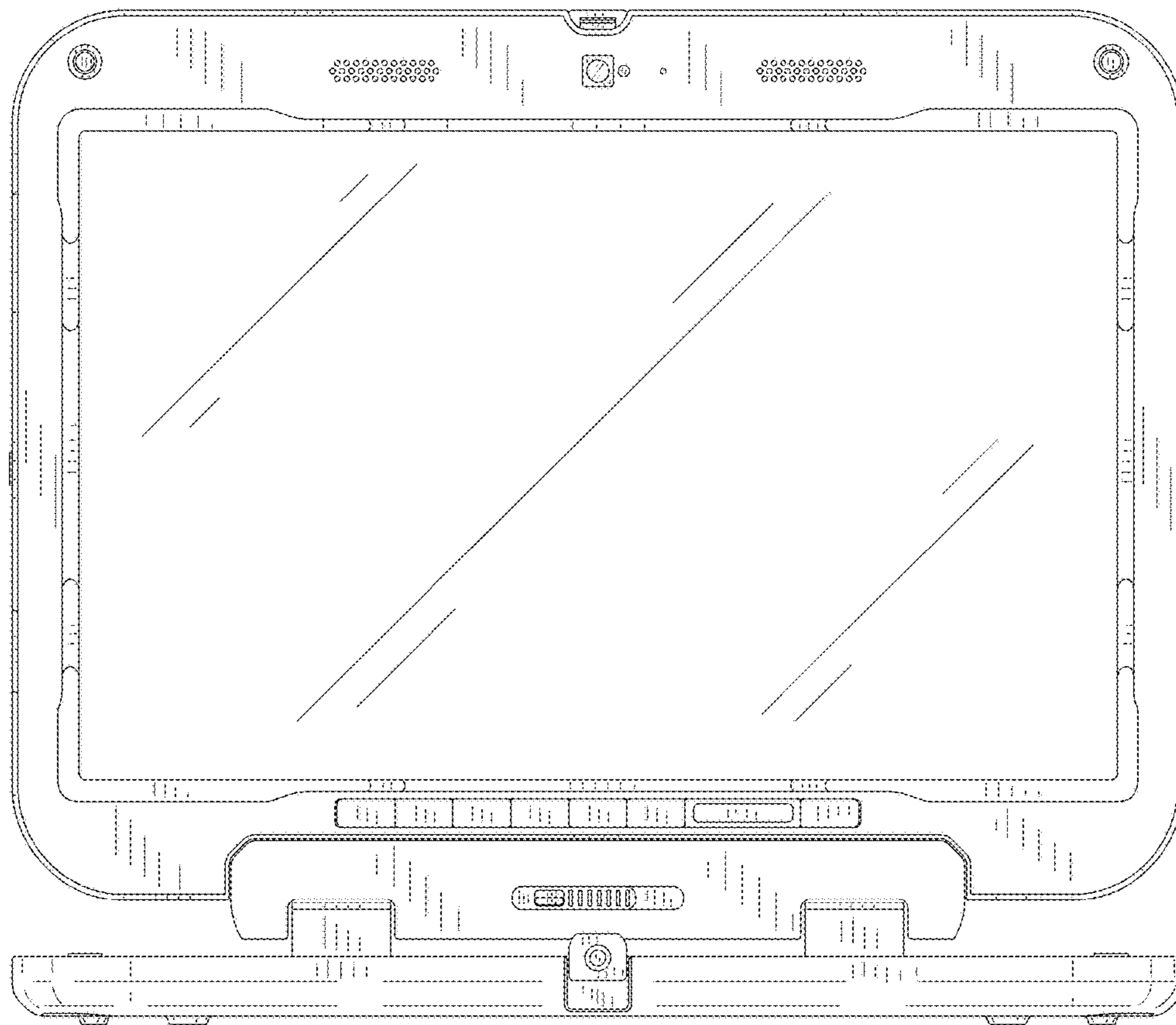


FIG. 4

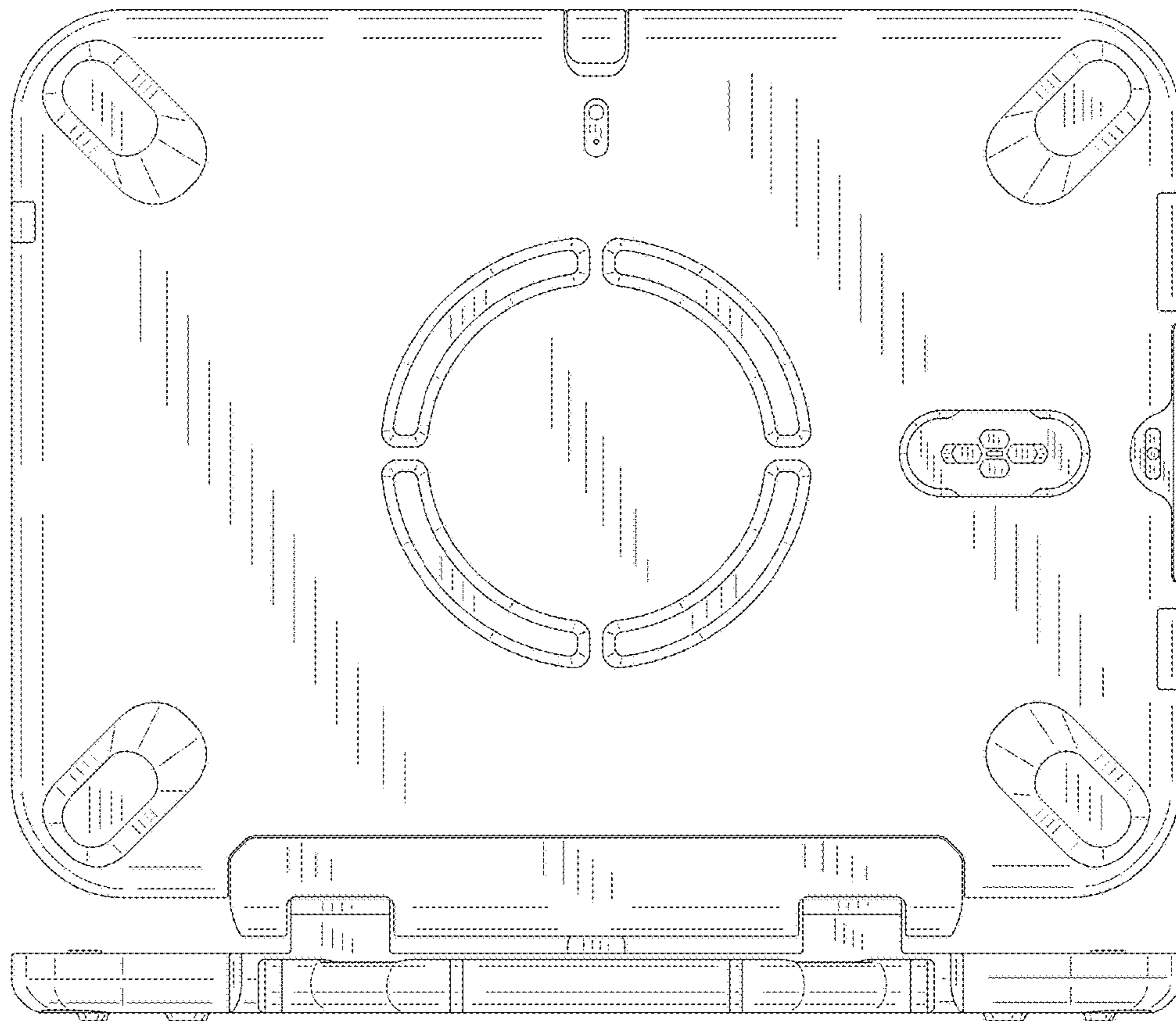


FIG. 5

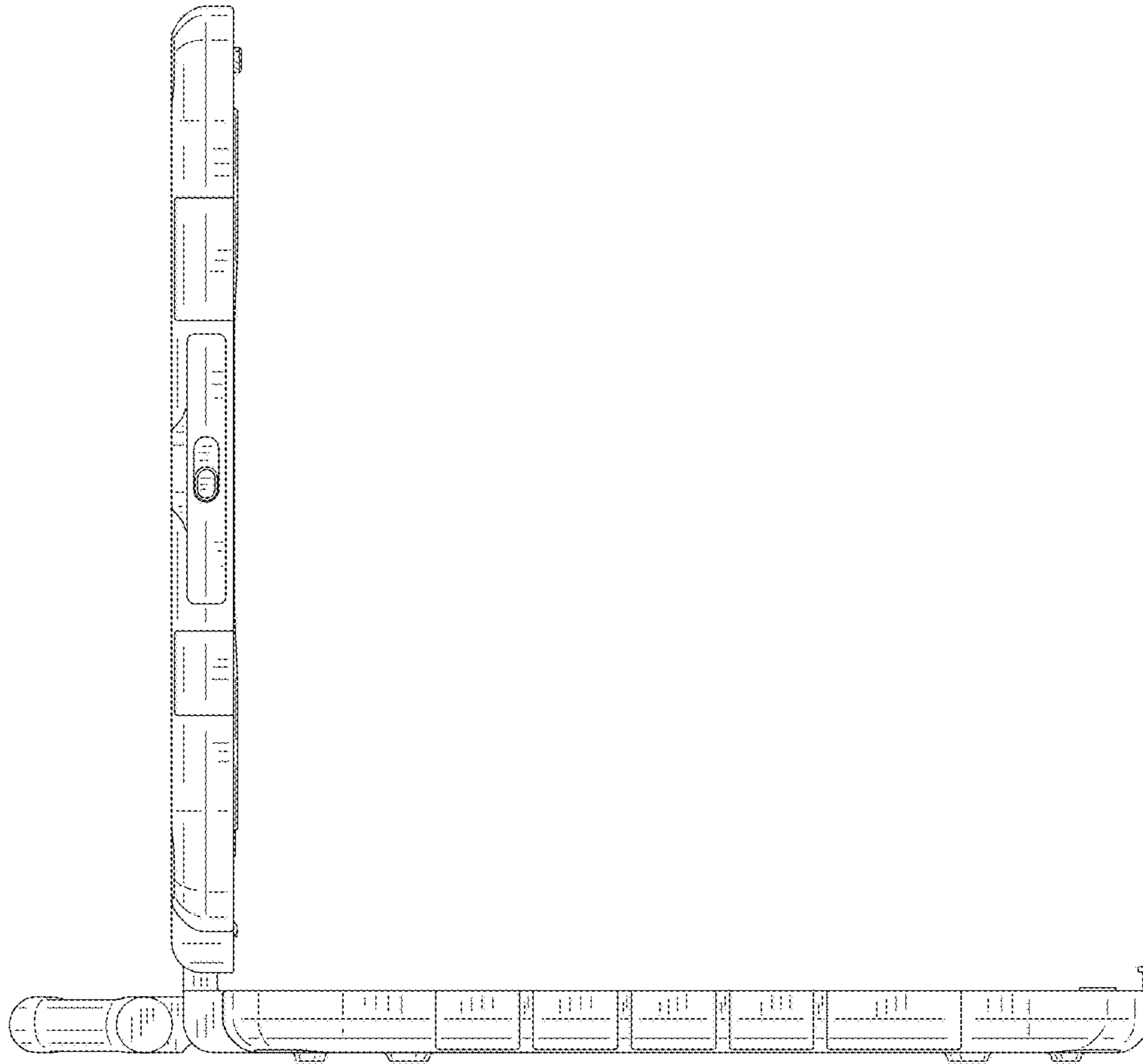


FIG. 6

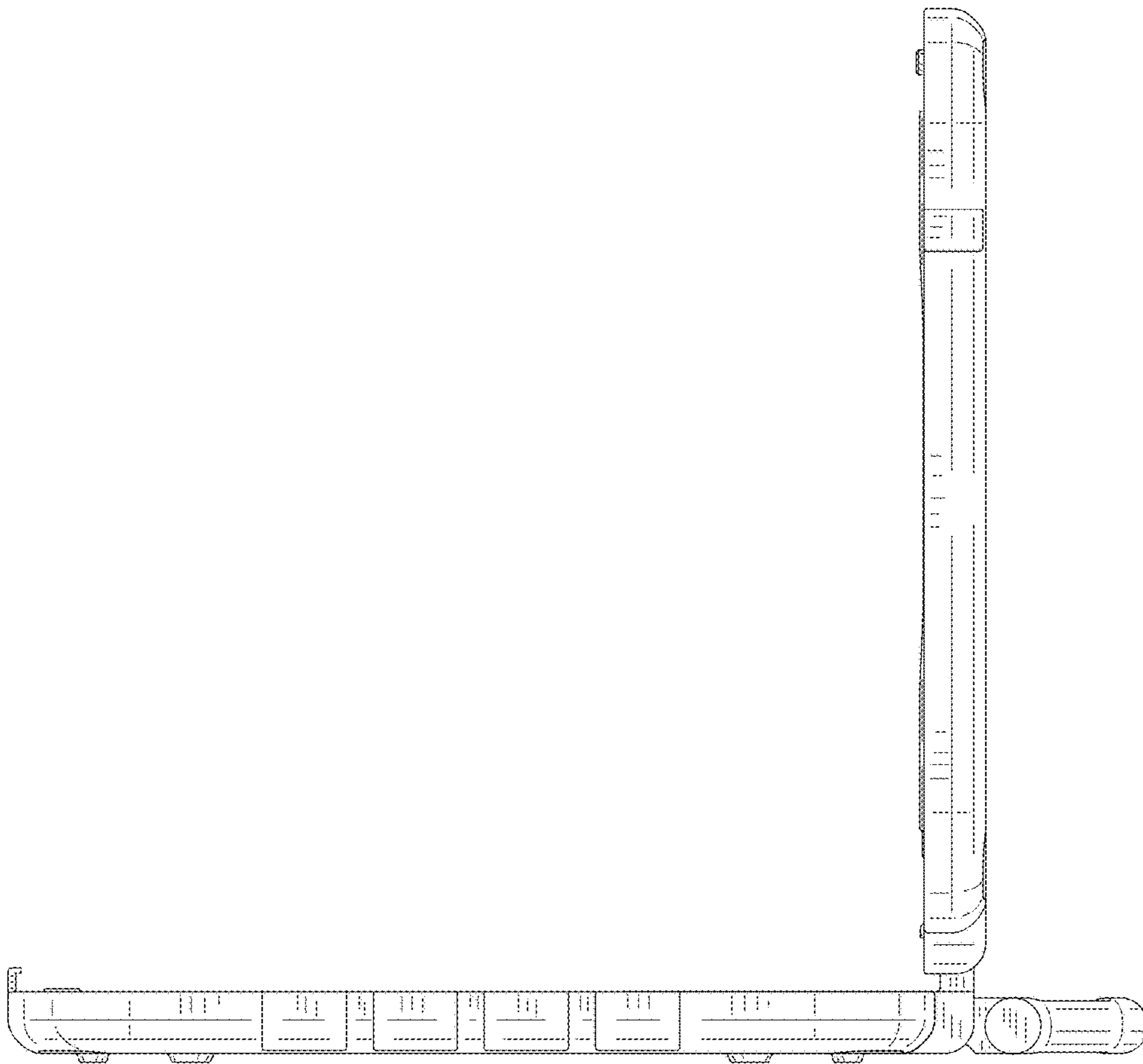




FIG. 7



FIG. 8

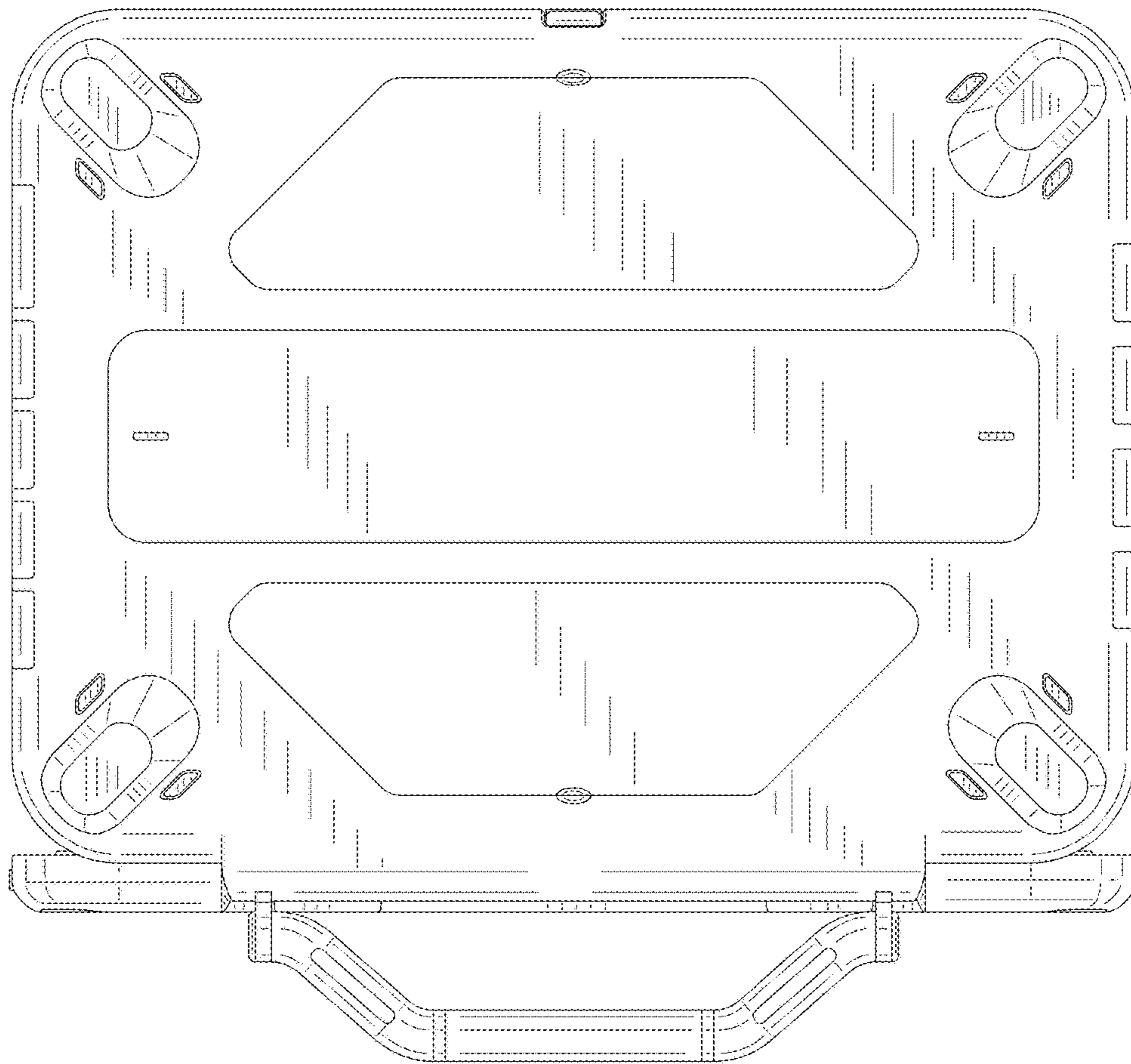


FIG. 9

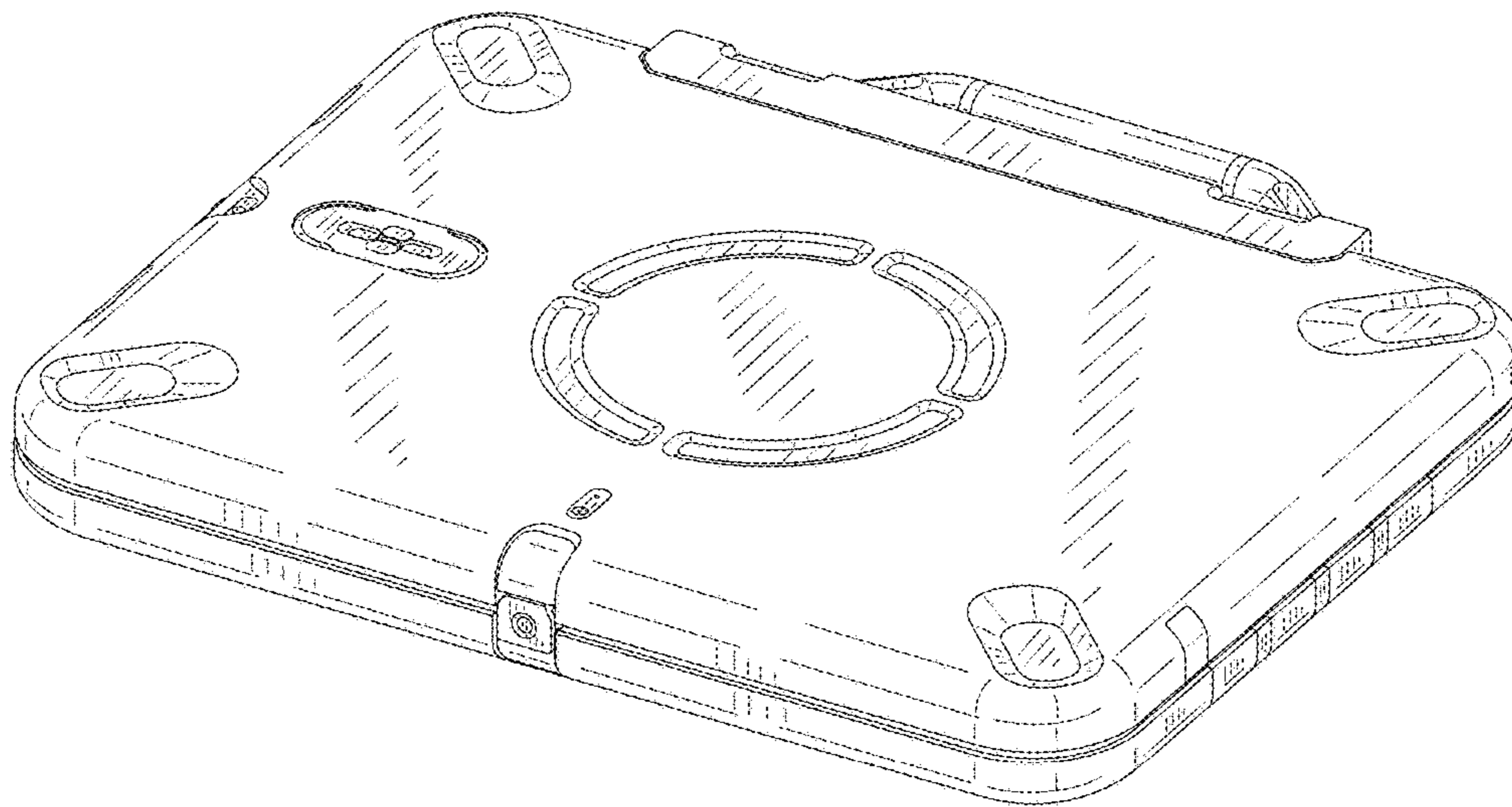


FIG. 10

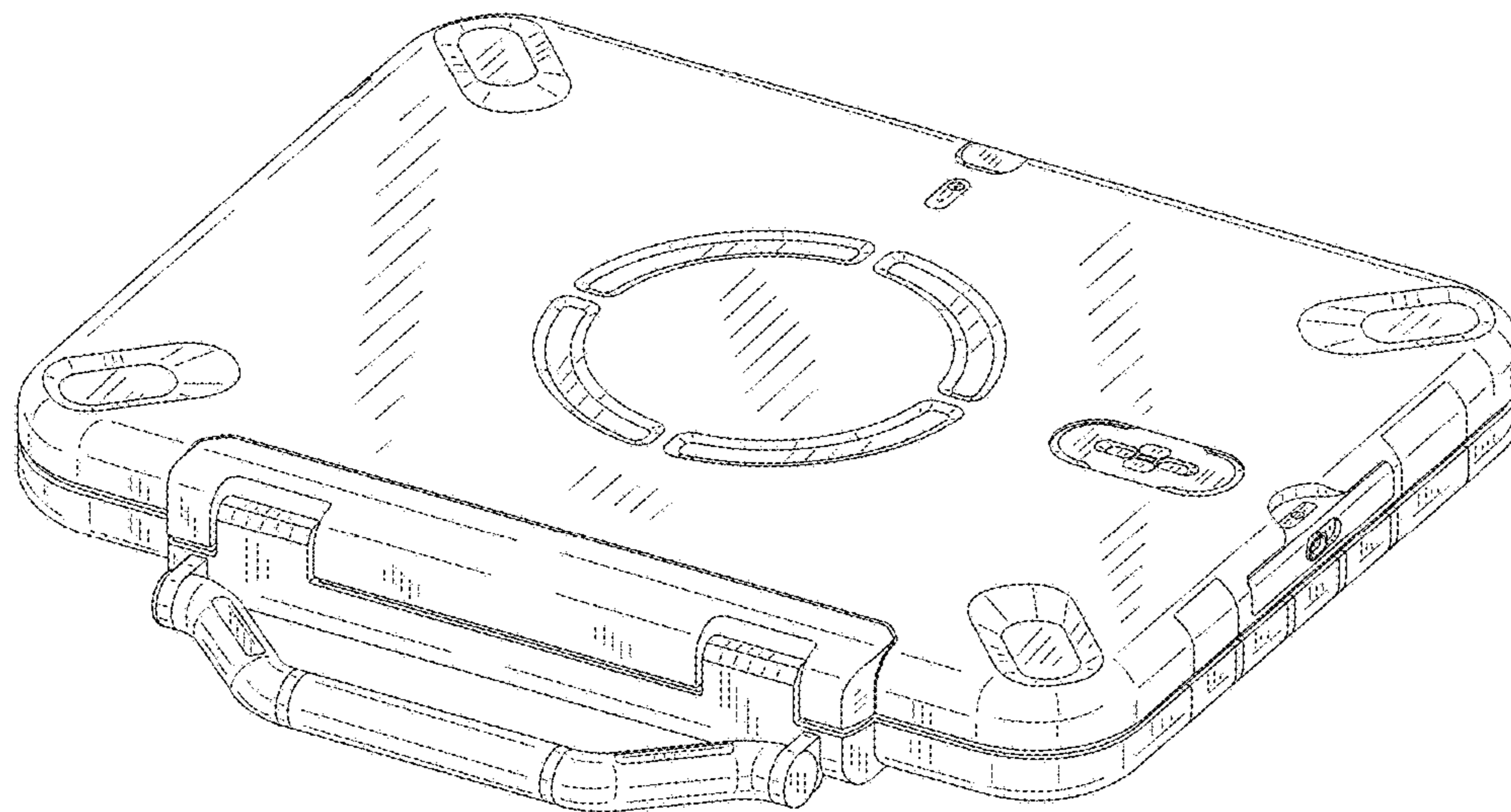


FIG. 11

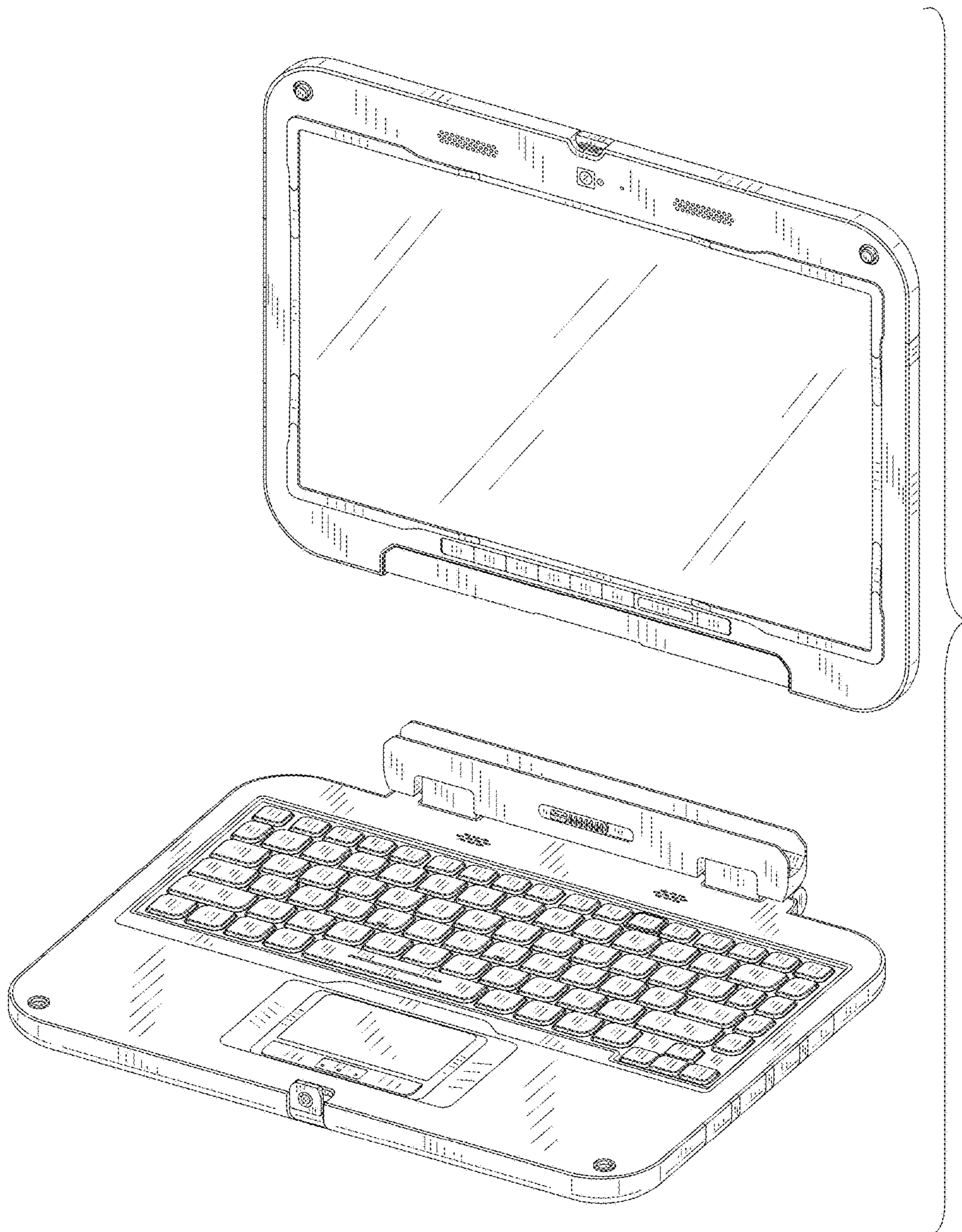


FIG. 12

