



US00D815629S

(12) **United States Design Patent**
Jones, Sr.

(10) **Patent No.:** **US D815,629 S**

(45) **Date of Patent:** **** Apr. 17, 2018**

(54) **ELECTRONIC SHOPPER**

(71) Applicant: **Anthony Jones, Sr.**, Fresno, TX (US)

(72) Inventor: **Anthony Jones, Sr.**, Fresno, TX (US)

(**) Term: **15 Years**

(21) Appl. No.: **29/620,405**

(22) Filed: **Nov. 25, 2016**

(51) **LOC (11) Cl.** **14-02**

(52) **U.S. Cl.**
USPC **D14/307**

(58) **Field of Classification Search**
USPC D14/167, 154, 168, 188, 496, 156, 160,
D14/161, 162, 163, 164, 165, 158, 253,
D14/192, 159, 155, 138 AB, 137, 104.1,
D14/307; 455/351, 350, 353; D10/104,
D10/106, 65, 78; 340/573.4, 573.1
CPC G08B 13/1672; G08B 13/19645; G08B
25/006; H04M 11/04

See application file for complete search history.

(56) **References Cited**

U.S. PATENT DOCUMENTS

D696,658 S	*	12/2013	Winston	D14/307
D697,505 S	*	1/2014	Paton	D14/307
D701,209 S	*	3/2014	Lim	D14/307
D734,315 S	*	7/2015	Masuda	D14/307
D742,870 S	*	11/2015	Berini	G06F 21/32 D14/307

D752,032 S	*	3/2016	Taylor	D14/307
D774,029 S	*	12/2016	Kim	D14/307
D778,276 S	*	2/2017	Berini	D14/307
D781,279 S	*	3/2017	Horn, II	D14/307
D781,843 S	*	3/2017	Horn, II	D14/307
D788,098 S	*	5/2017	Thornton	D14/307
D799,470 S	*	10/2017	Brown	D14/307
D800,715 S	*	10/2017	Kane	D14/307

* cited by examiner

Primary Examiner — Austin Murphy

(74) *Attorney, Agent, or Firm* — Paul R. Martin

(57) **CLAIM**

The ornamental design for an electronic shopper, as shown and described.

DESCRIPTION

FIG. 1 is a perspective view of the electronic shopper of my new design.

FIG. 2 is a front elevational view thereof.

FIG. 3 is a back elevational view thereof.

FIG. 4 is a left side elevational view thereof.

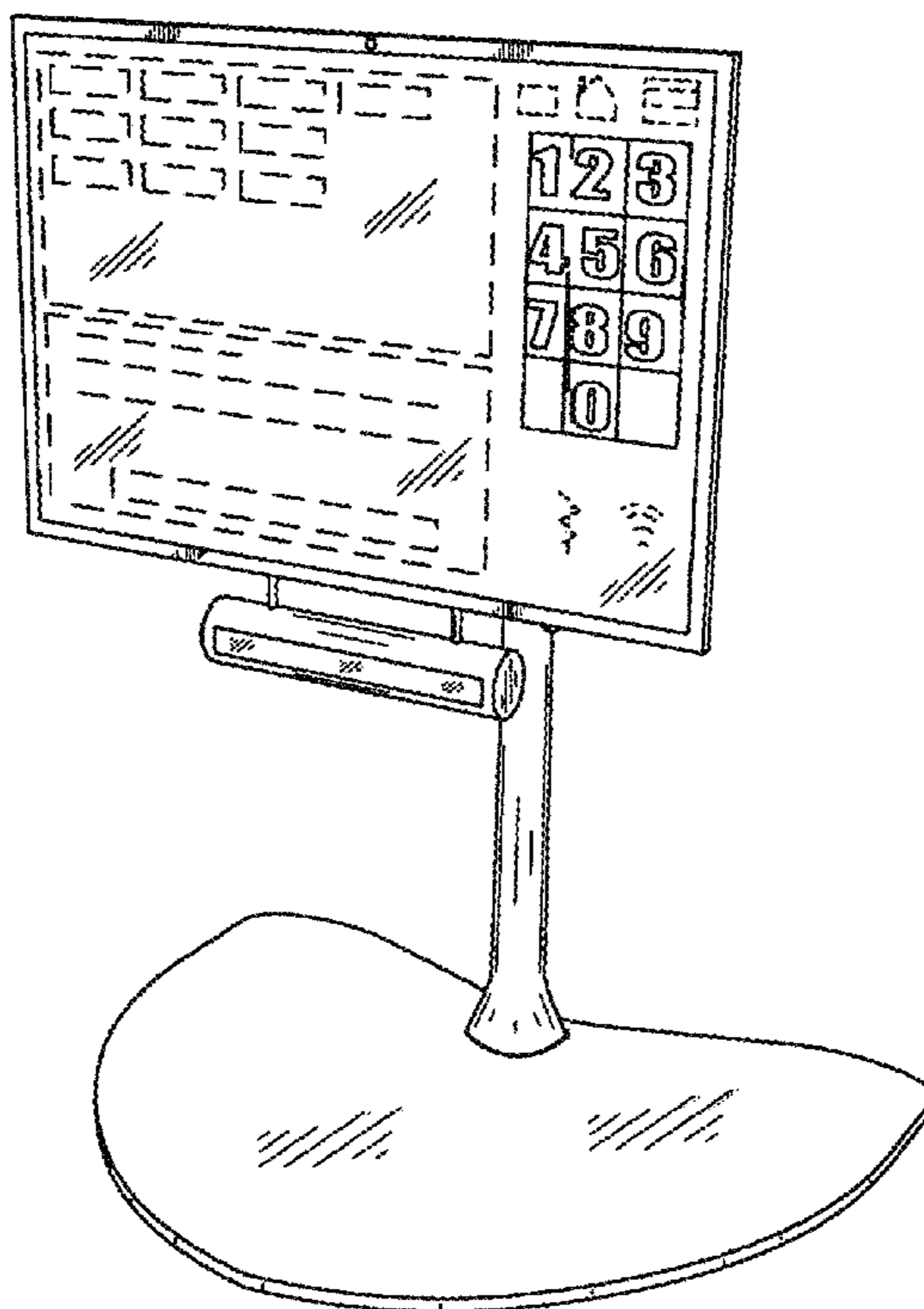
FIG. 5 is a right side elevational view thereof.

FIG. 6 is a top plan view thereof; and,

FIG. 7 is a bottom plan view thereof.

The broken line elements shown in FIG. 1, and FIG. 2, showing various items on a computer screen, are environmental elements, and form no part of my new design.

1 Claim, 6 Drawing Sheets



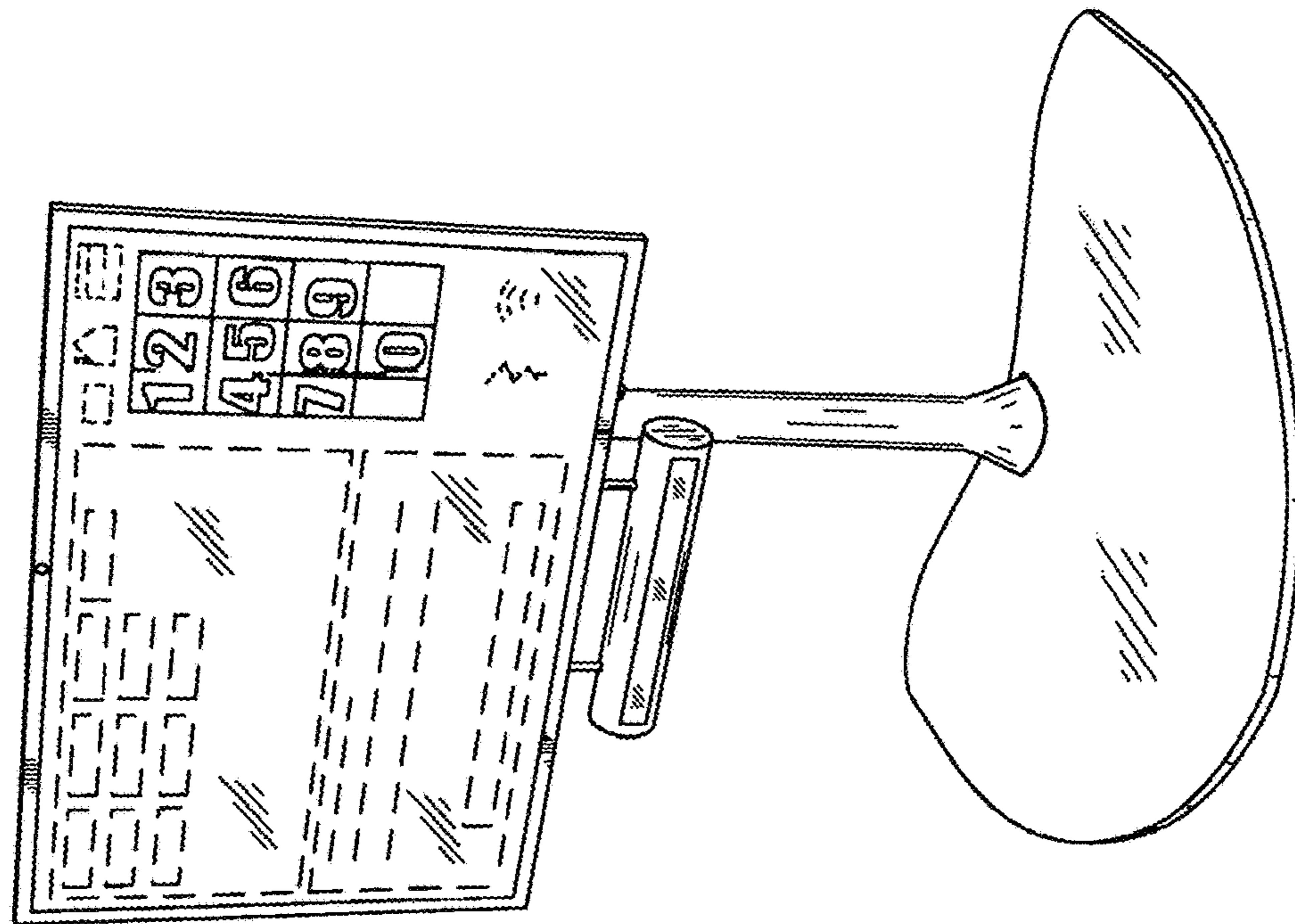


FIG. 1

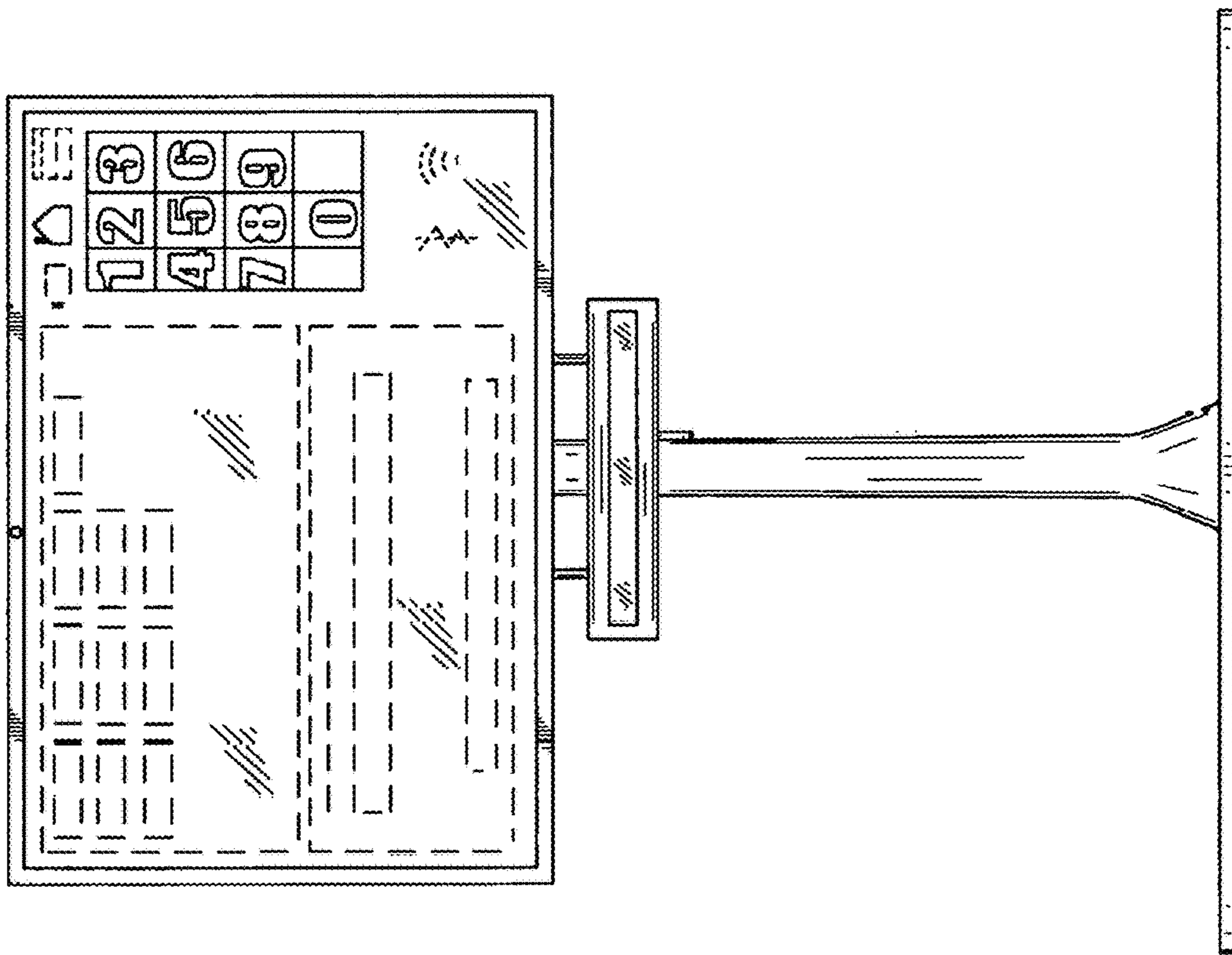


FIG. 2

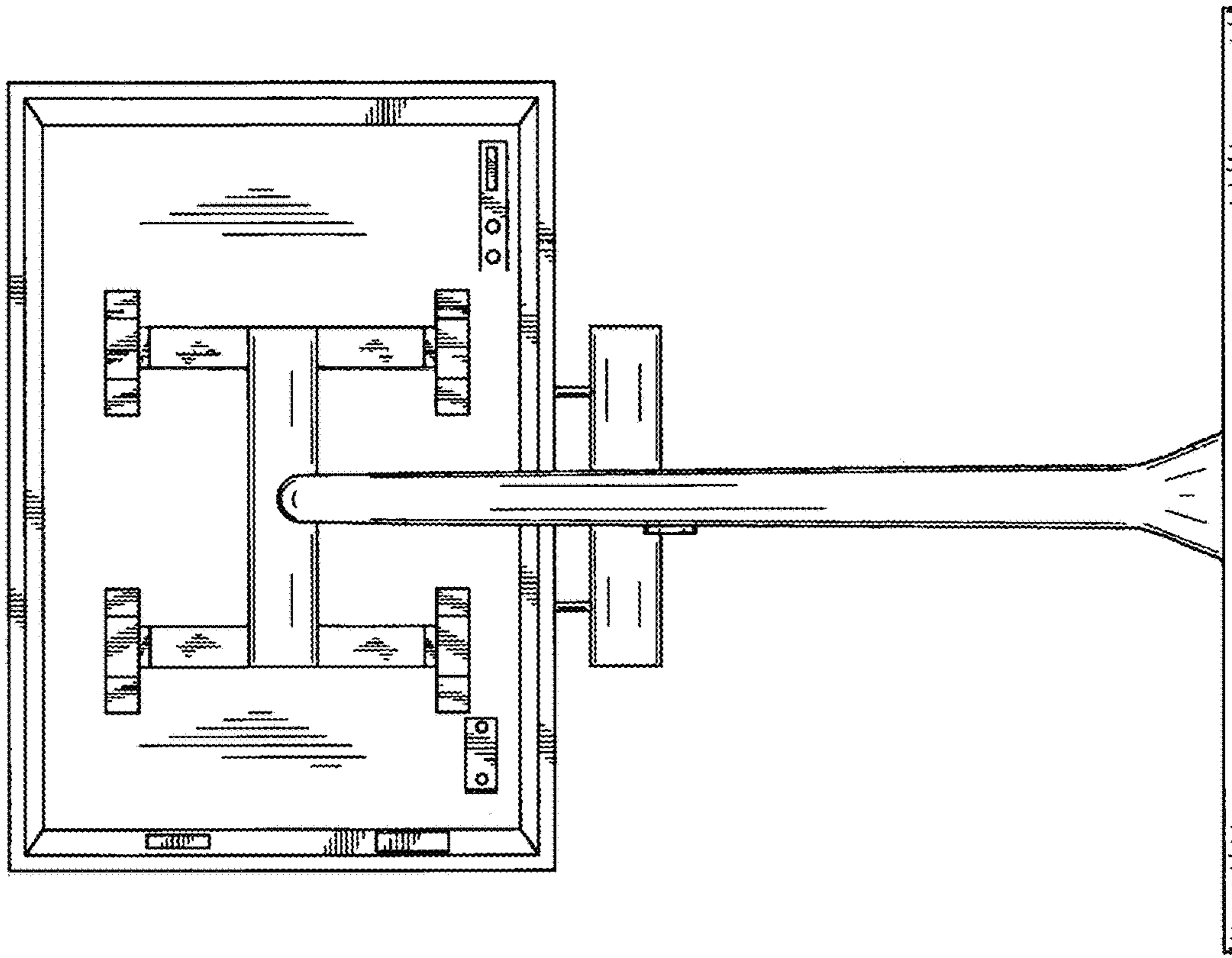


FIG. 3

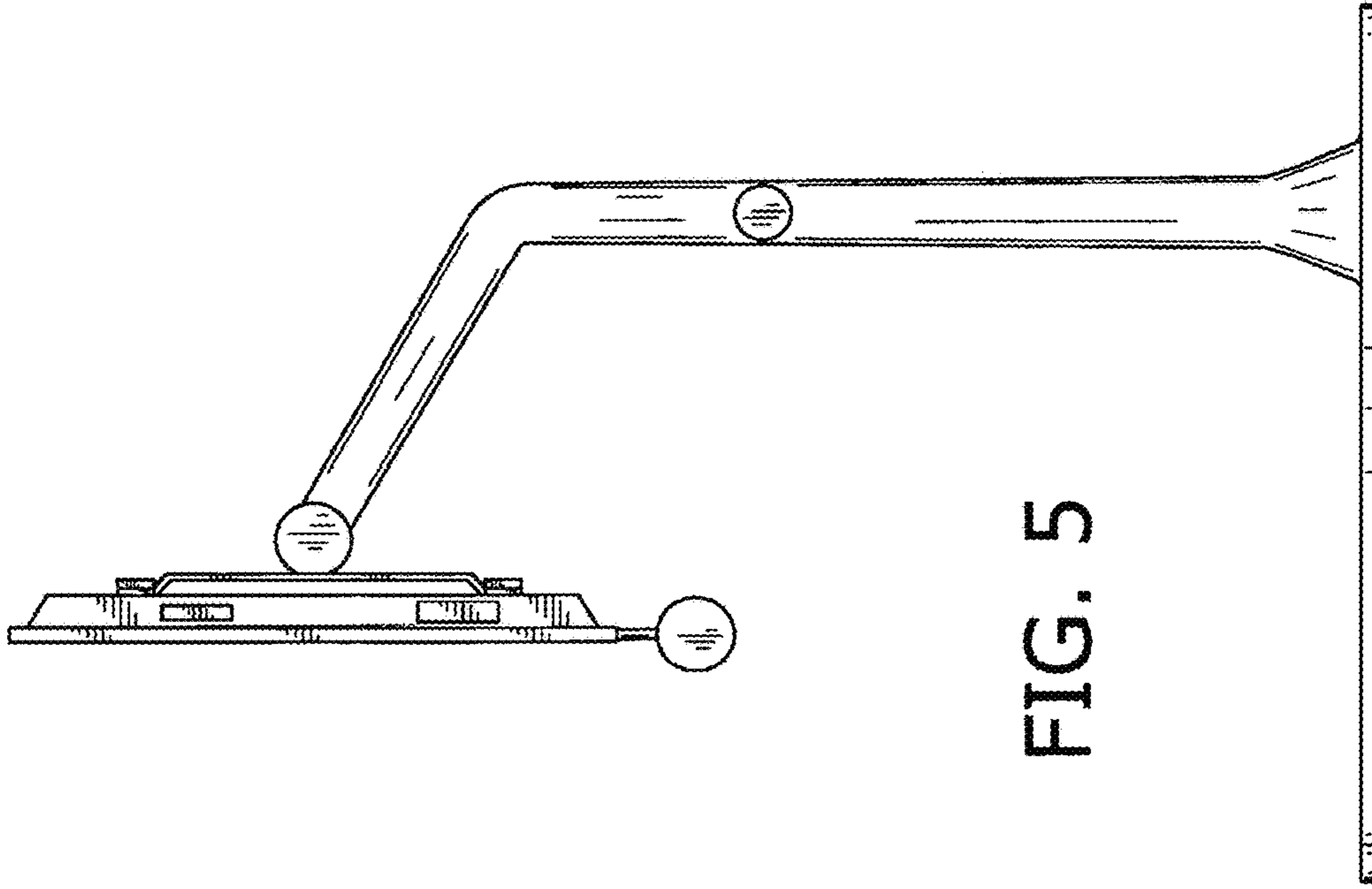


FIG. 5

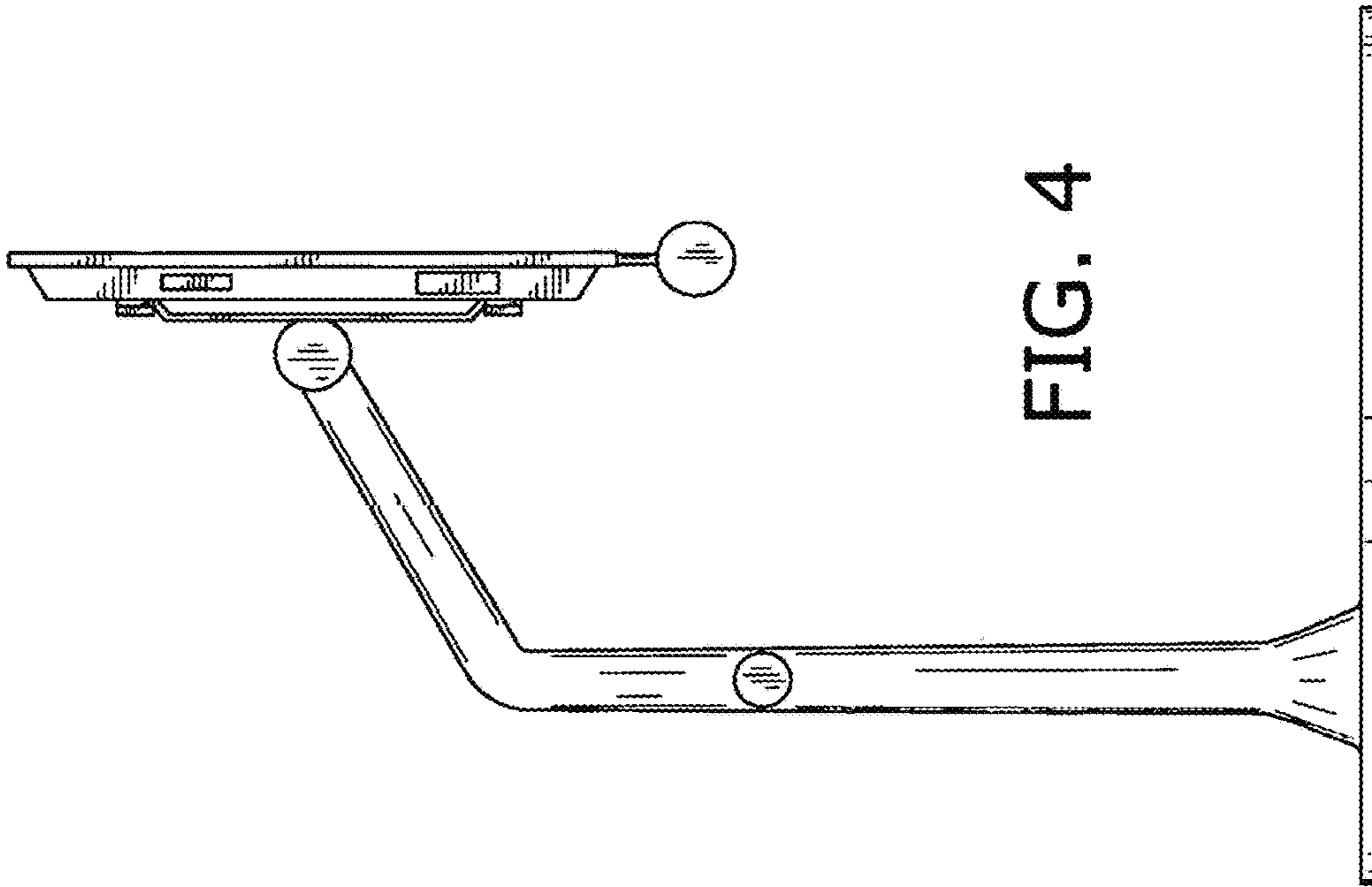


FIG. 4

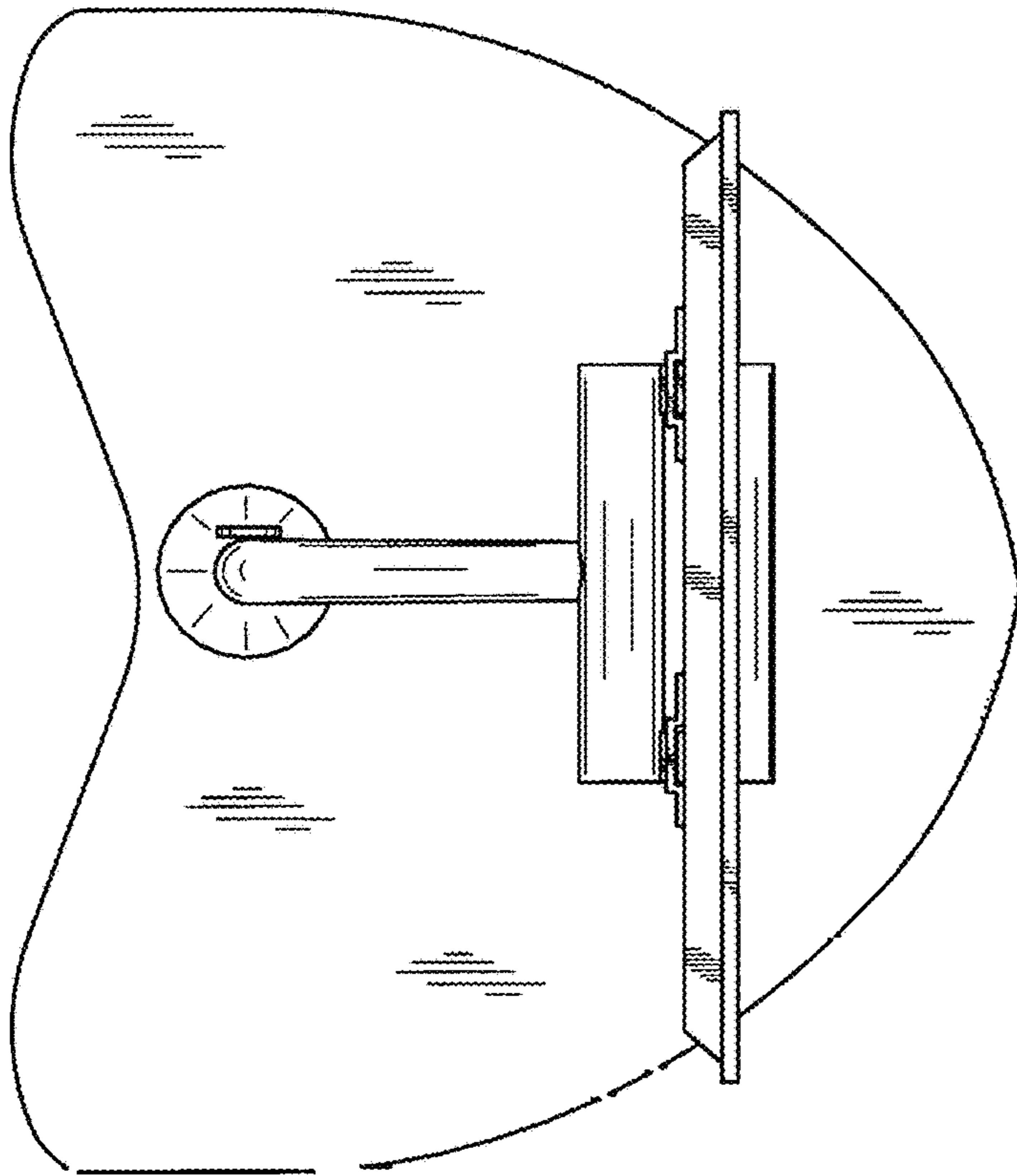


FIG. 6

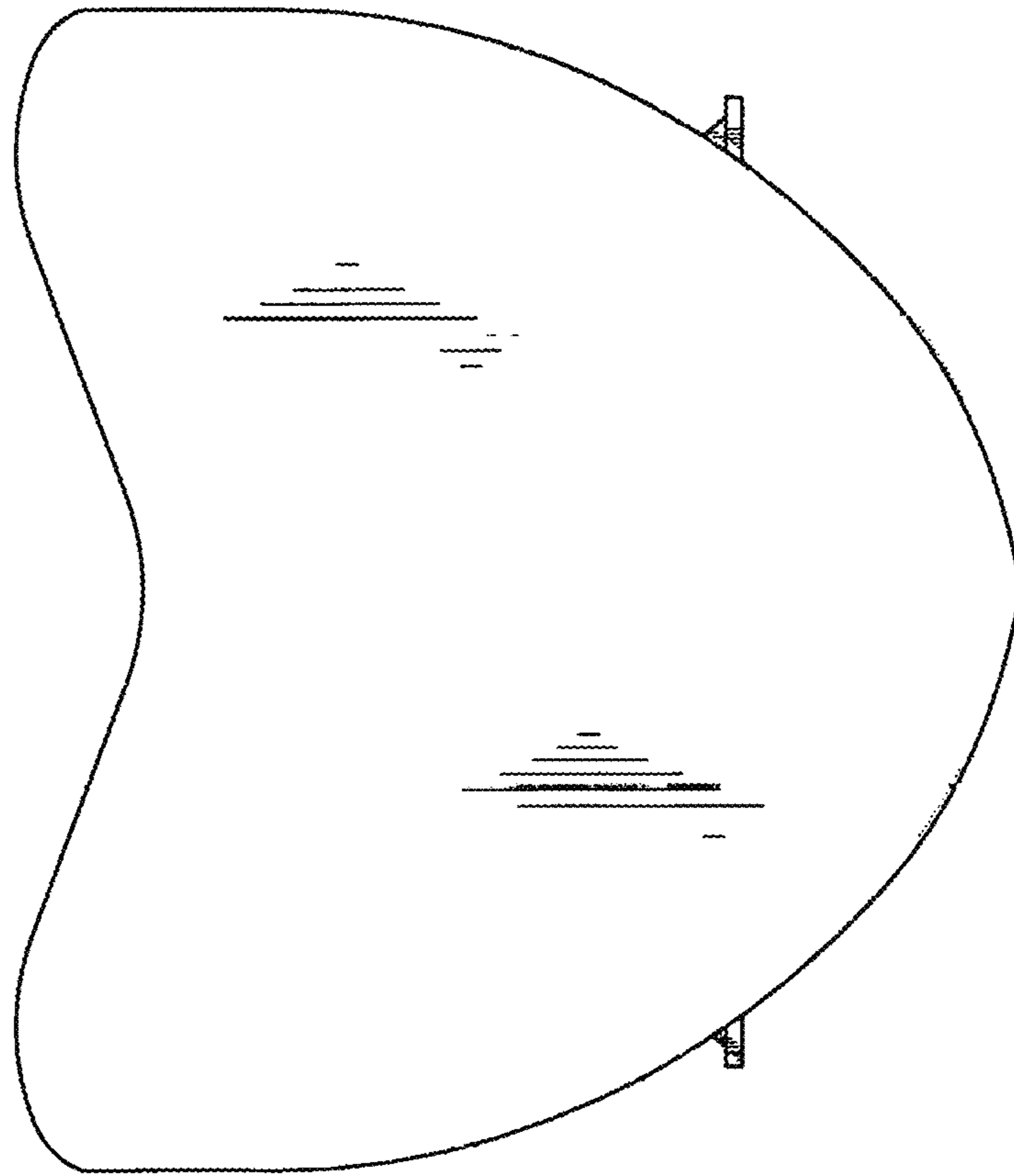


FIG. 7