



US00D815628S

(12) **United States Design Patent** (10) **Patent No.:** **US D815,628 S**
Berini (45) **Date of Patent:** **** Apr. 17, 2018**

(54) **KIOSK**
(71) Applicant: **NextgenID, Inc.**, San Antonio, TX (US)
(72) Inventor: **Dario John Berini**, Ashburn, VA (US)
(73) Assignee: **NextgenID, Inc.**, San Antonio, TX (US)
(**) Term: **15 Years**
(21) Appl. No.: **29/553,500**
(22) Filed: **Feb. 2, 2016**

D565,044 S 3/2008 Witts
D590,387 S 4/2009 Chen
D605,189 S 12/2009 Kuroda
D605,190 S 12/2009 Kuroda
D605,191 S 12/2009 Kuroda
(Continued)

FOREIGN PATENT DOCUMENTS

EM 1744264 1/2007

OTHER PUBLICATIONS

“CBES Multimodal Biometric Enrollment Station.” 3M Cogent, Inc. [online], [retrieved on Dec. 11, 2012]. Retrieved from the Internet: <URL: http://www.cogentsystems.com/downloads/CBES_sm.pdf>.

(Continued)

Primary Examiner — Austin Murphy
(74) *Attorney, Agent, or Firm* — Nixon Peabody LLP

Related U.S. Application Data

(62) Division of application No. 29/487,801, filed on Apr. 11, 2014, now Pat. No. Des. 751,061.
(51) **LOC (11) Cl.** **14-02**
(52) **U.S. Cl.**
USPC **D14/307**
(58) **Field of Classification Search**
USPC D14/302–307, 900–902; D13/163;
D20/10; D21/332, 325, 369, 370;
D99/28; D6/397, 466; 194/206;
361/679.01, 679.02, 679.04, 679.21,
361/679.57, 725
CPC G06Q 20/18; G06Q 20/10; G06Q 20/123;
G06Q 20/20; G06Q 30/02; G06Q 30/06;
A47F 9/047
See application file for complete search history.

(57) **CLAIM**

The ornamental design for kiosk, as shown and described.

DESCRIPTION

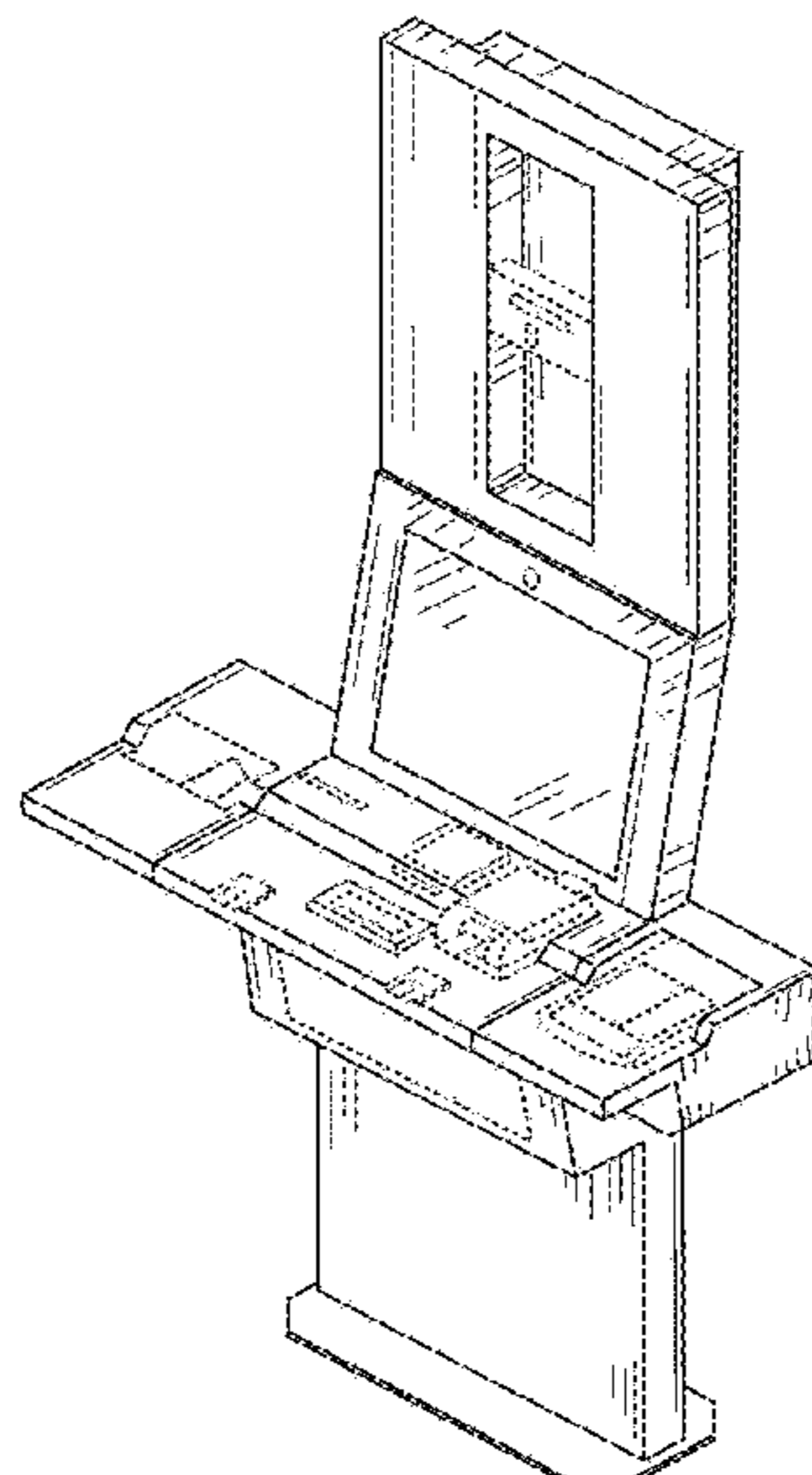
FIG. 1 is a perspective view of a third embodiment of a kiosk showing our new design.
FIG. 2 is a front elevation view of the kiosk of FIG. 1.
FIG. 3 is a back elevation view of the kiosk of FIG. 1.
FIG. 4 is a first side elevation view of the kiosk of FIG. 1.
FIG. 5 is a second side elevation view of the kiosk of FIG. 1.
FIG. 6 is a top plan view of the kiosk of FIG. 1; and,
FIG. 7 is a bottom plan view of the kiosk of FIG. 1.
The portions of the drawings shown in broken lines represent environmental structure and form no part of the claimed design.

(56) **References Cited**

U.S. PATENT DOCUMENTS

5,375,168 A 12/1994 Kudelski
D366,975 S 2/1996 Kaga
6,694,433 B1 2/2004 Kolouch
7,079,653 B2 7/2006 Scheidt
7,095,852 B2 8/2006 Wack
7,212,632 B2 5/2007 Scheidt
7,278,026 B2 10/2007 McGowan

1 Claim, 5 Drawing Sheets



(56)

References Cited

U.S. PATENT DOCUMENTS

7,738,660 B2 6/2010 Scheidt
 7,817,800 B2 10/2010 Wack
 D625,305 S 12/2010 Bleck
 D628,742 S 12/2010 Hsu
 D629,585 S 12/2010 Bleck
 D637,595 S 5/2011 Mizusugi
 7,974,410 B2 7/2011 Scheidt
 8,077,870 B2 12/2011 Wack
 D661,293 S 6/2012 Kuroda
 D675,607 S 2/2013 Ono
 D676,038 S 2/2013 Masuda
 D691,141 S 10/2013 Cruz
 D692,885 S 11/2013 Cruz
 D695,285 S 12/2013 Smith
 D701,860 S 4/2014 Daniel
 D702,415 S * 4/2014 Kimoto D99/43
 D702,675 S 4/2014 Jones
 D703,670 S 4/2014 Rotsaert
 D707,674 S 6/2014 Daniel
 D707,676 S 6/2014 Azuma
 D707,677 S 6/2014 Azuma
 D708,676 S 7/2014 Ballman
 D717,785 S 11/2014 Winston
 D721,696 S 1/2015 Birgeoglu
 D723,025 S 2/2015 Birgeoglu
 D723,538 S 3/2015 Catoe
 D727,307 S 4/2015 Kraft
 D727,308 S 4/2015 Kraft
 D732,520 S 6/2015 Themann
 D732,522 S 6/2015 Chadbourne
 D734,315 S 7/2015 Masuda
 D734,316 S 7/2015 Alvarez
 D742,870 S * 11/2015 Berini G06F 21/32
 D751,061 S * 3/2016 Berini D14/307
 D760,711 S * 7/2016 Berini D14/307
 D778,276 S * 2/2017 Berini D14/307
 D788,098 S * 5/2017 Thornton D14/307
 2005/0229007 A1 10/2005 Bolle
 2009/0034803 A1 2/2009 Matos
 2009/0289104 A1 * 11/2009 Yoneda G06F 1/16
 2010/0290668 A1 11/2010 Friedman
 2011/0178930 A1 7/2011 Scheidt
 2011/0192681 A1 * 8/2011 Johnson A47F 10/02
 186/52

2012/0293642 A1 11/2012 Berini
 2013/0215275 A1 * 8/2013 Berini G06F 21/32
 348/150
 2013/0226632 A1 * 8/2013 Gilbert B64F 1/366
 705/5

OTHER PUBLICATIONS

“Law Enforcement Product Overview,” 3M Cogent, Inc. [online], [retrieved on Dec. 11, 2012]. Retrieved from the Internet: <URL: http://www.cogentsystems.com/downloads/LE_Overview.pdf>.
 “VB E-Pass® Kiosk” Vision-Box [online], [retrieved on Dec. 11, 2012]. Retrieved from the Internet: <URL: <http://www.vision-box.com/solutions/vbepass/>>.
 “VB E-Pass® Desktop” Vision-Box [online], [retrieved on Dec. 11, 2012]. Retrieved from the Internet: <URL: <http://www.vision-box.com/solutions/vbepassdesktop/>>.
 “VB E-Pass® Portable” Vision-Box [online], [retrieved on Dec. 11, 2012]. Retrieved from the Internet: <URL: <http://www.vision-box.com/solutions/mobile-vbepass/>>.
 “VB E-Pass® Dispenser” Vision-Box [online], [retrieved on Dec. 11, 2012]. Retrieved from the Internet: <URL: <http://www.vision-box.com/solutions/vb-i-dispenser/>>.
 “VB I-Match” Vision-Box [online], [retrieved on Dec. 11, 2012]. Retrieved from the Internet: <URL: <http://www.vision-box.com/solutions/vb-i-match/>>.
 “VB Sentry Spider” Vision-Box [online], [retrieved on Dec. 11, 2012]. Retrieved from the Internet: <URL: <http://www.vision-box.com/solutions/vb-sentryspider/>>.
 International Search Report mailed Nov. 23, 2012 which issued in International Patent Application No. PCT/US2012/038675 (5 pages).
 Written Opinion dated Nov. 23, 2012 which issued in International Patent Application No. PCT/US2012/038675 (5 pages).
 “Verona Healthcare Kiosk”, Olea Kiosks, Inc., Product Brochure, Undated, retrieved at least as of Mar. 10, 2016 (2 pages).
 “Self Service Kiosk”, MorphoTrust USA, Product Brochure, Sep. 2012 (4 pages).
 “SITA Automated Passport Control Kiosks”, Presentation to the Greater Orlando Aviation Authority, By: John Powell on Sep. 21, 2013 (13 pages).
 “Speed Capture Solution”, Global Enterprise Technologies Corp., Product Brochure, Undated, retrieved at least as of Mar. 14, 2016 (2 pages).

* cited by examiner

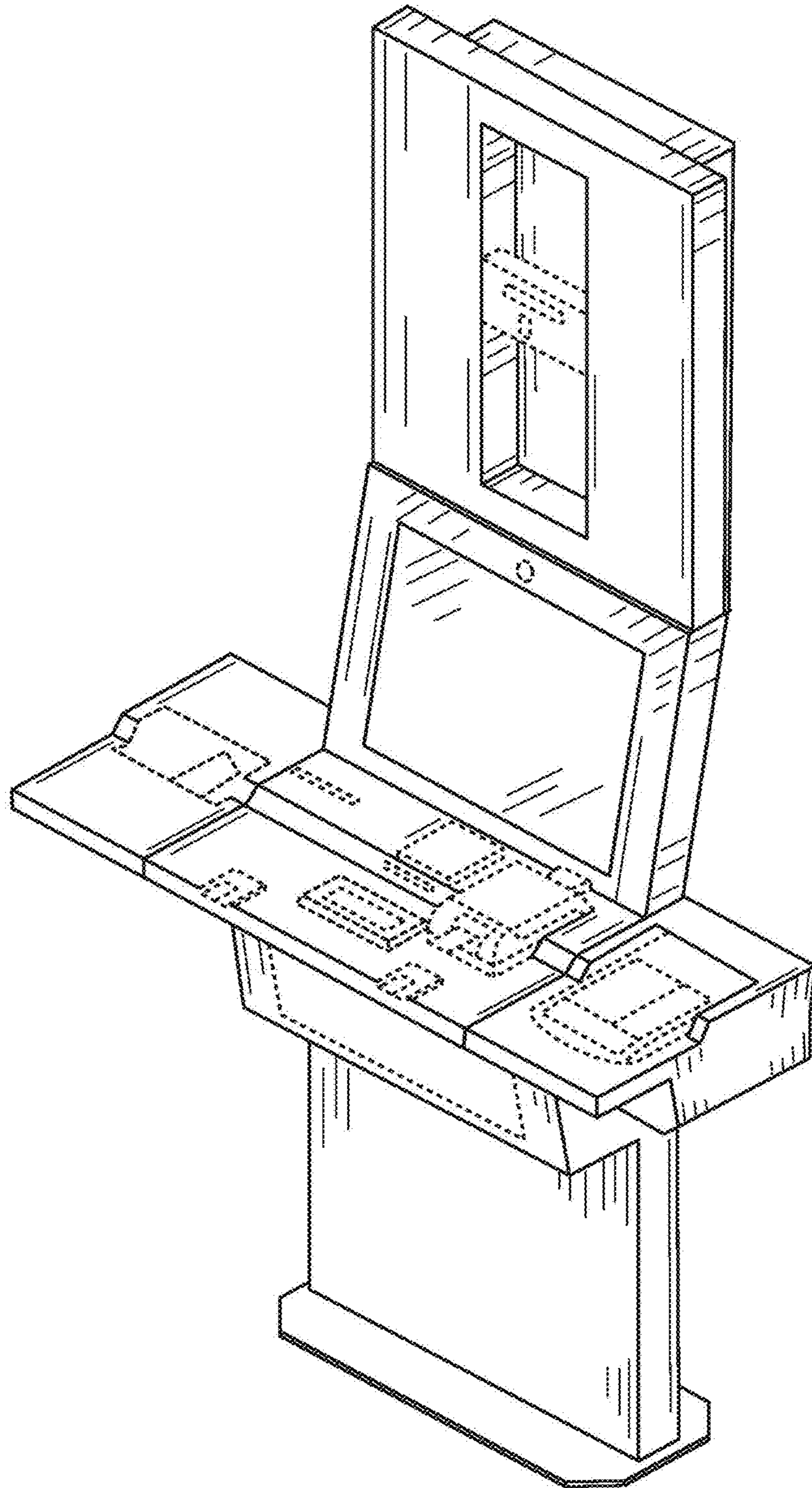


FIG. 1

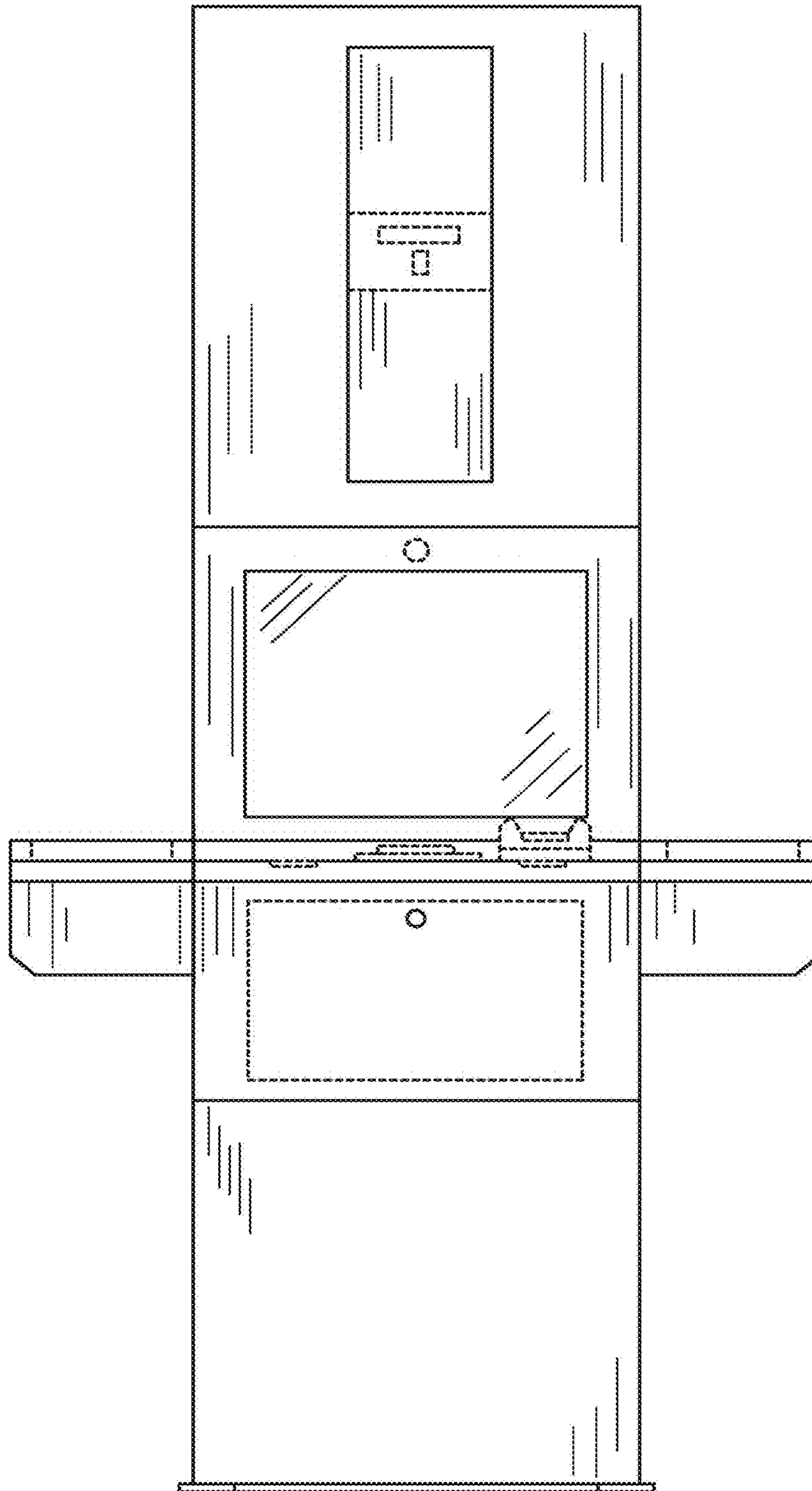


FIG. 2

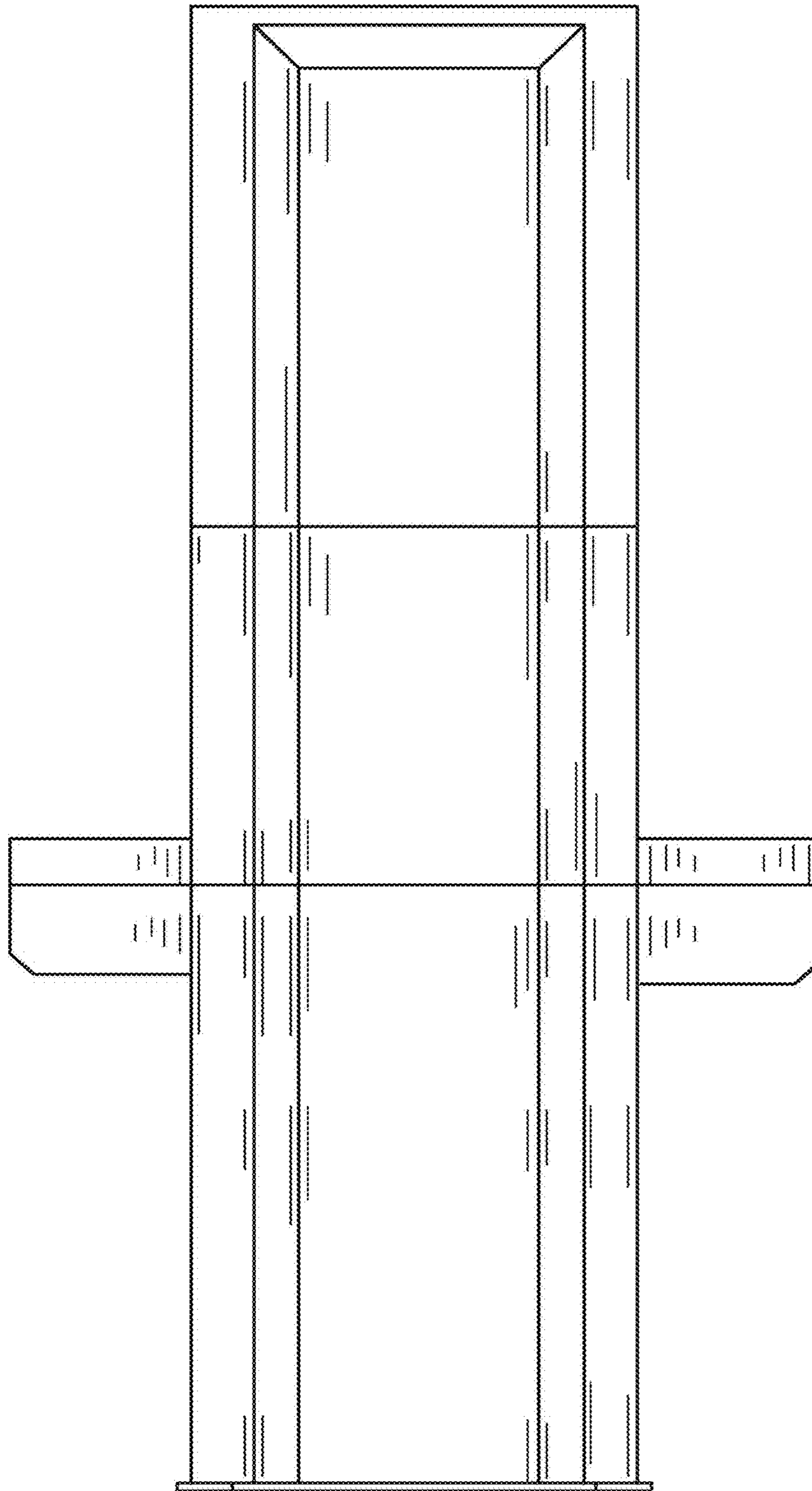


FIG. 3

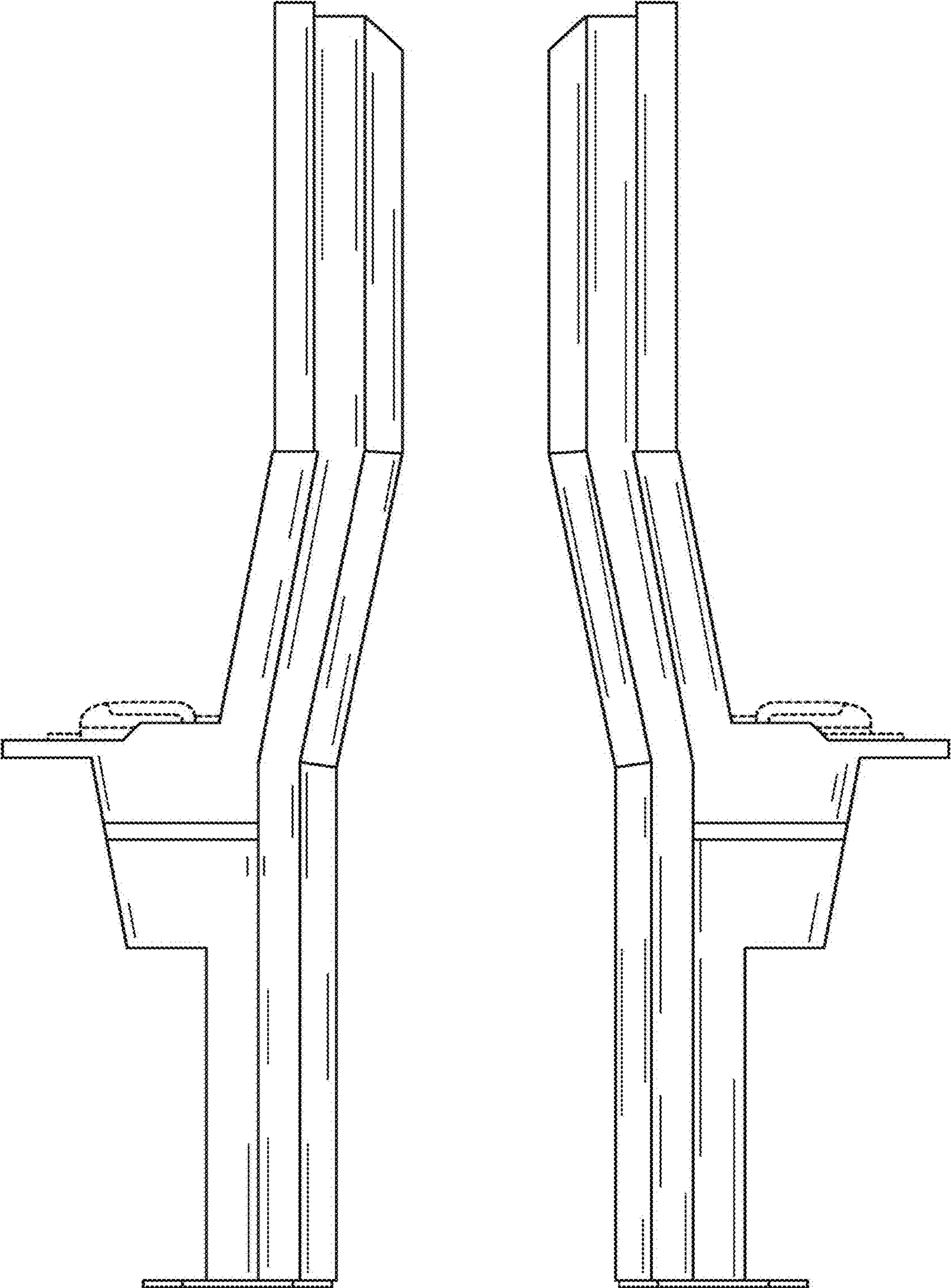


FIG. 4

FIG. 5

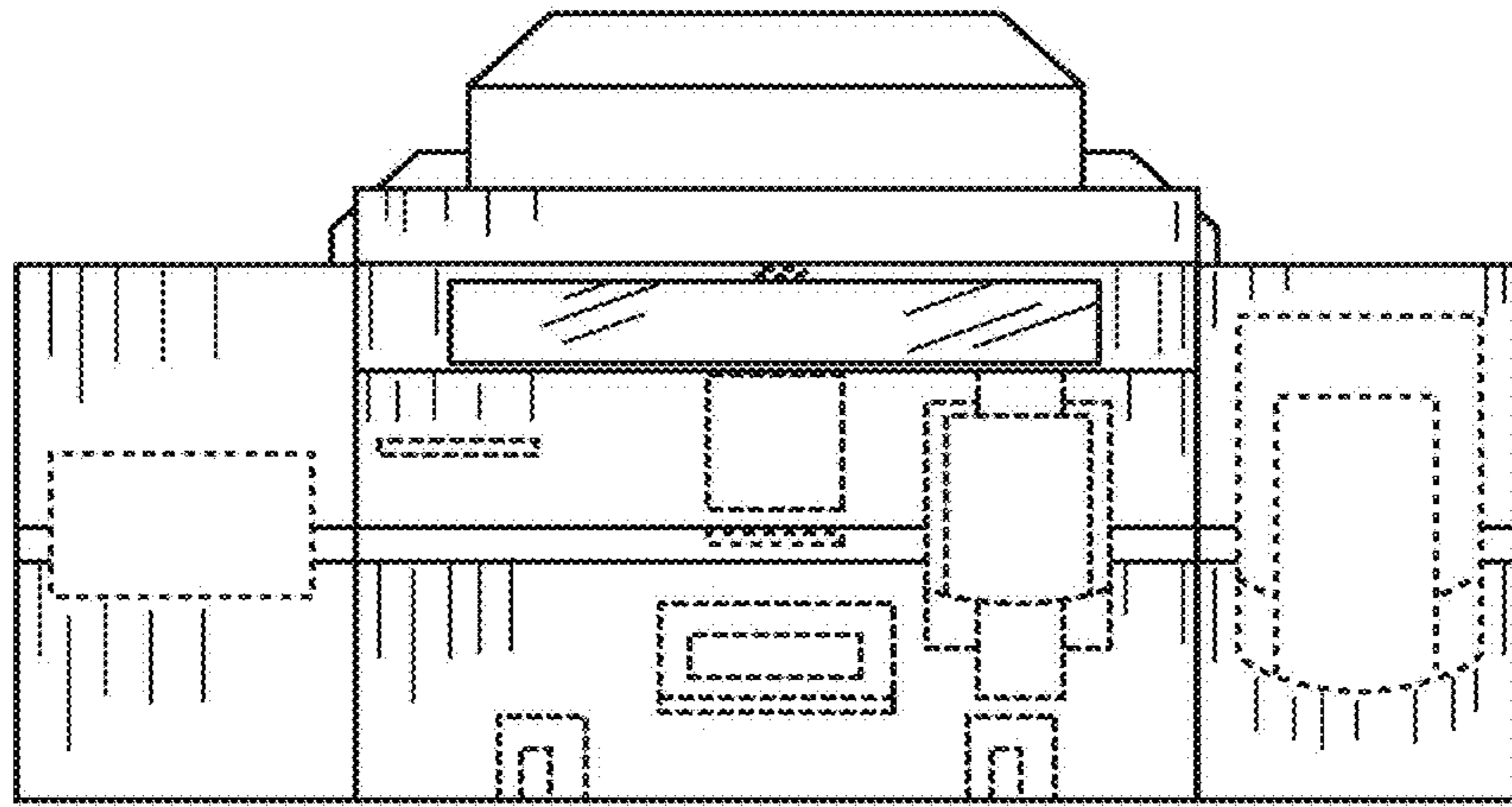


FIG. 6

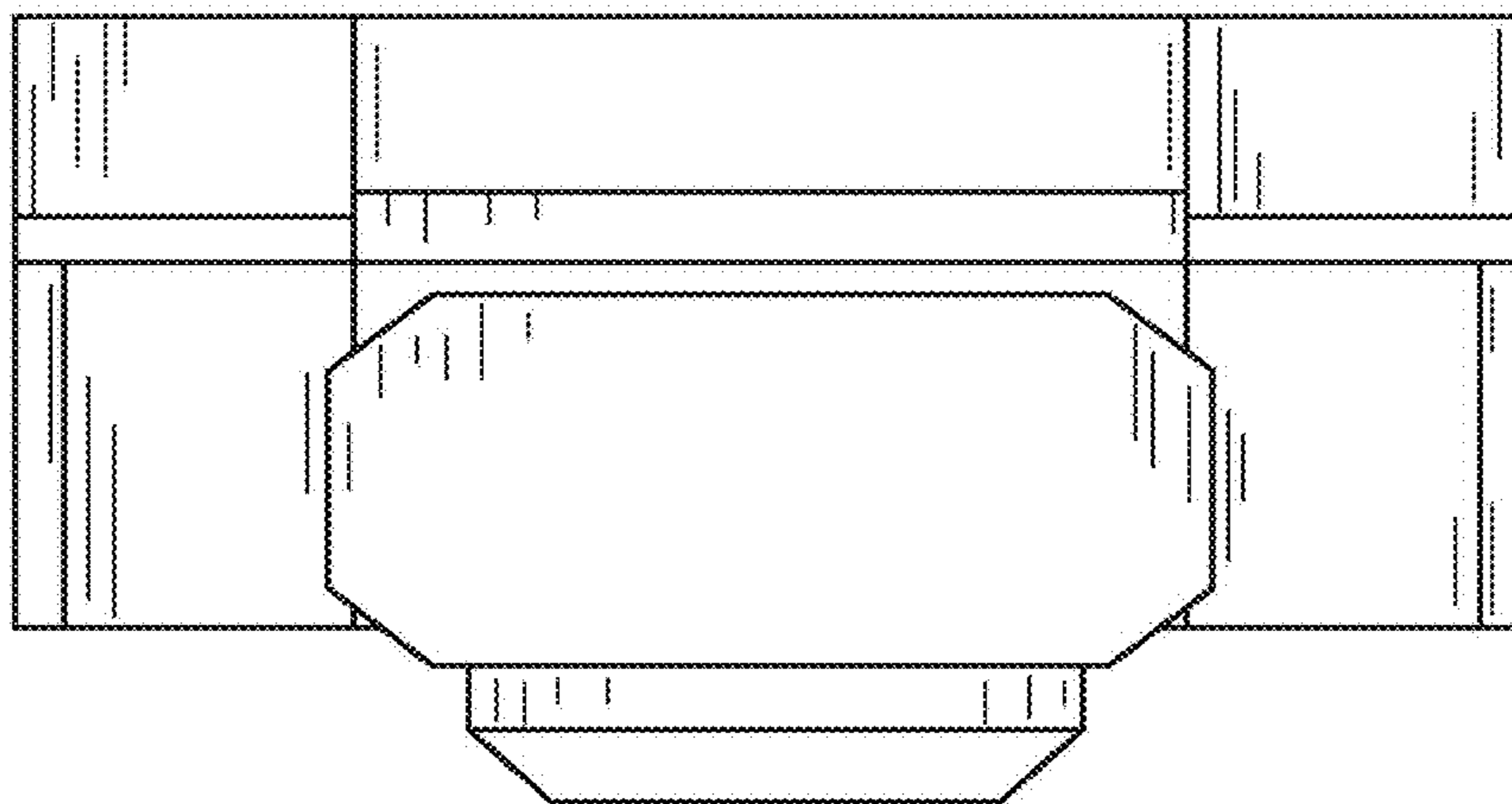


FIG. 7