



US00D815625S

(12) **United States Design Patent**
Wartmann

(10) **Patent No.:** **US D815,625 S**
(45) **Date of Patent:** **** Apr. 17, 2018**

(54) **HOUSING FOR ELECTRONIC COMMUNICATION DEVICES**

(71) Applicant: **Nexiot AG**, Zurich (CH)
(72) Inventor: **Christoph Wartmann**, Davos (CH)
(73) Assignee: **NEXIOT AG**, Zurich (CH)
(**) Term: **15 Years**

(21) Appl. No.: **29/559,210**

(22) Filed: **Mar. 25, 2016**

(30) **Foreign Application Priority Data**

Sep. 25, 2015 (WO) DM/088197

(51) **LOC (11) Cl.** **14-03**

(52) **U.S. Cl.**
USPC **D14/240**; D14/358; D10/106.9

(58) **Field of Classification Search**
USPC D14/356-358, 432, 496, 137, 168, 188,
D14/191, 299, 230, 240-243, 140;
D10/46, 52, 56, 57, 61, 62, 65, 70, 75,
D10/104.1, 104.2, 106.9, 106.93, 106.6
CPC .. H01Q 1/3216; H01Q 1/3233; H01Q 1/3275;
H01Q 21/28; H04N 2201/3253; H02S
10/40; G08B 1/08; G08B 13/06; G08B
13/08; G08B 13/2462; G08B 21/0269;
G08B 21/18; G08G 1/20; G01S 5/00
See application file for complete search history.

(56) **References Cited**

U.S. PATENT DOCUMENTS

D192,247 S * 2/1962 Michals D14/240
D301,331 S * 5/1989 Rhodin D13/107
(Continued)

OTHER PUBLICATIONS

Tracking and communication base stations. (Design -© Questel)orbit.com. [online PDF] 41 pgs. Print Dates range May 19,

2010 . through Mar. 8, 2017 [retrieved on Jul. 15, 2017] <https://sobjprd.questel.fr/export/QPTUJ214/pdf2/361eb827-d5a7-4e47-8463-a2e49d962565-162613.pdf>.*

(Continued)

Primary Examiner — Susan Bennett Hattan
Assistant Examiner — Marie D. Fast Horse
(74) *Attorney, Agent, or Firm* — Johnson, Marcou & Isaacs, LLC; Jennifer S. Stachniak

(57) **CLAIM**

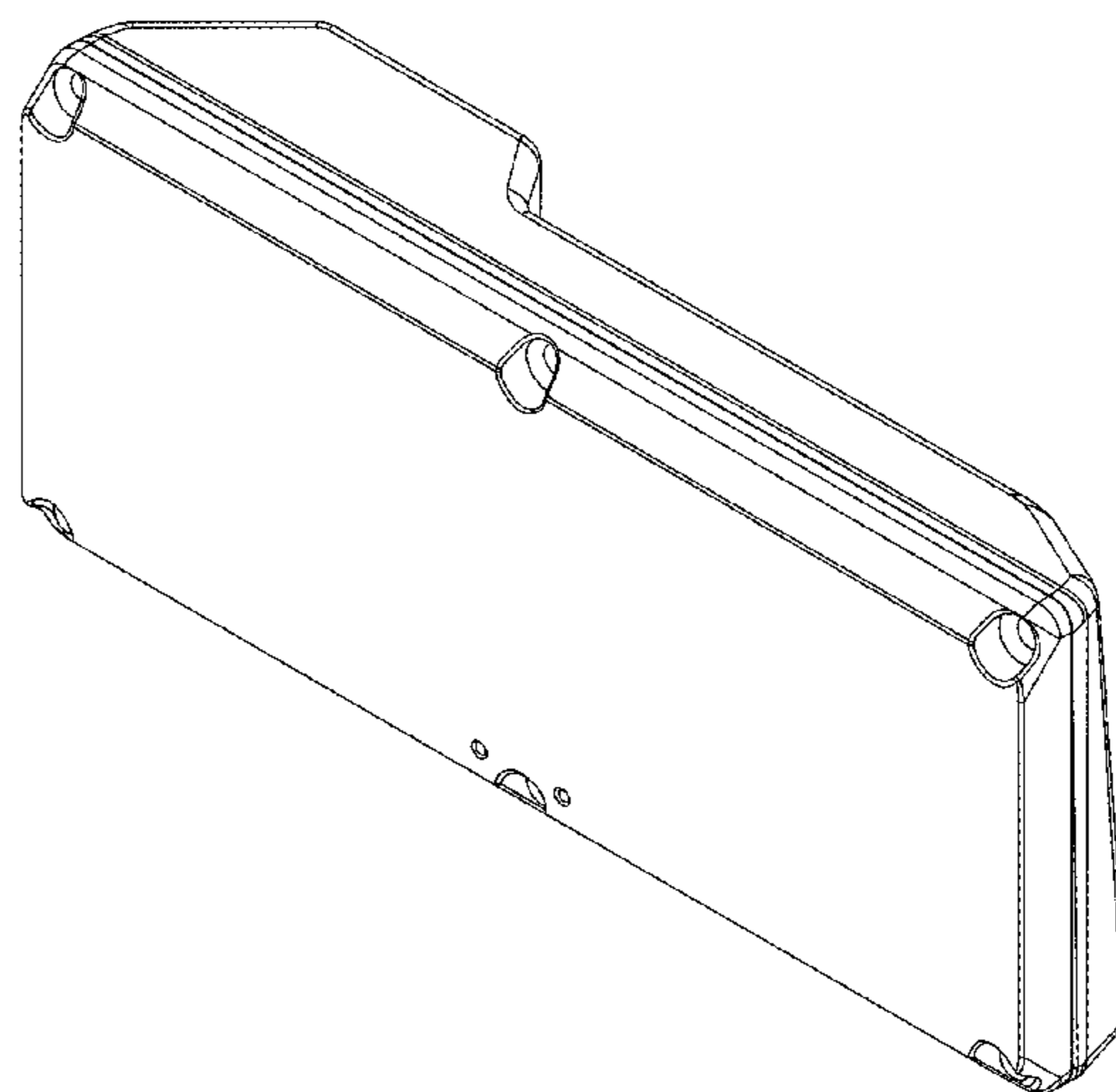
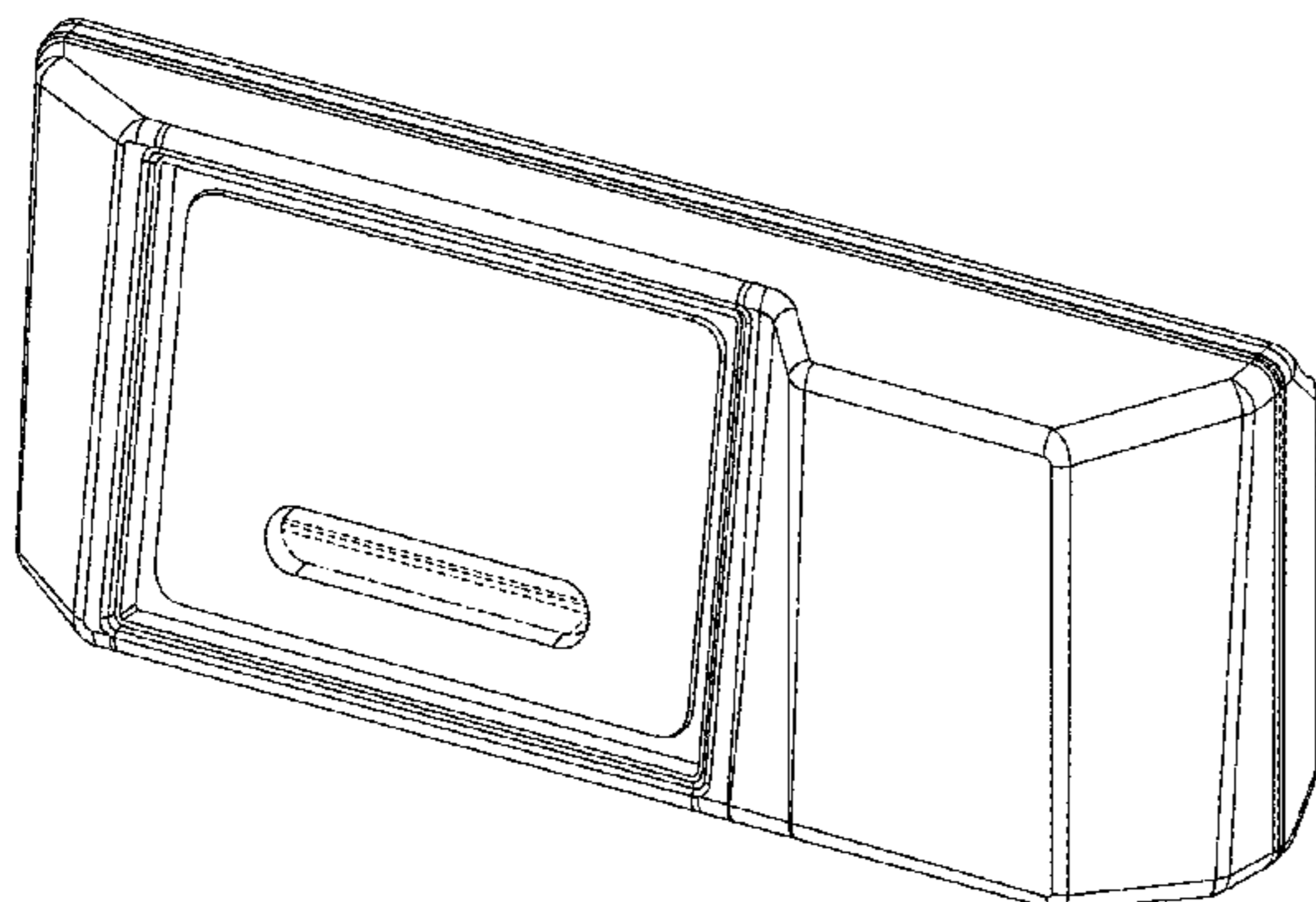
The ornamental design for a housing for electronic communication devices, as shown and described.

DESCRIPTION

FIG. 1 shows a top view of a housing for electronic communication devices;
FIG. 2 shows a side view of the housing for electronic communication devices;
FIG. 3 shows a further side view of the housing for electronic communication devices;
FIG. 4 shows a front view of the housing for electronic communication devices;
FIG. 5 shows a rear view of the housing for electronic communication devices;
FIG. 6 shows a bottom view of the housing for electronic communication devices;
FIG. 7 shows a perspective view of the housing for electronic communication devices; and,
FIG. 8 shows a perspective view of the housing for electronic communication devices.

The broken lines consisting of unevenly sized dashes define the boundary of the claim, which extends to the boundary but does not include the boundary, while the remaining broken lines in FIGS. 1 and 7 depict parts of the housing for electronic communication devices that form no part of the claimed design. All broken lines form no part of the claim.

1 Claim, 8 Drawing Sheets



(56)

References Cited

U.S. PATENT DOCUMENTS

D342,250 S * 12/1993 Beaumont D13/184
 D351,841 S * 10/1994 Blankenship D14/242
 D352,040 S * 11/1994 Rak D14/240
 D353,144 S * 12/1994 Brandt D14/242
 D366,217 S * 1/1996 Dudley D10/46
 D374,673 S * 10/1996 Beaumont D13/184
 D395,314 S * 6/1998 Oikawa D14/242
 D395,434 S * 6/1998 Fincher, Jr. D14/242
 D406,849 S * 3/1999 Tanaka D14/242
 D417,672 S * 12/1999 Laufer D13/152
 D427,587 S * 7/2000 Jacobsen D14/240
 D431,230 S * 9/2000 Began D13/184
 D439,243 S * 3/2001 Miyazaki D14/137
 D461,133 S * 8/2002 Lam D10/65
 D515,077 S * 2/2006 Nilsen D14/240
 D516,445 S * 3/2006 DiPasquale D10/106.6
 D520,517 S * 5/2006 Lee D14/203.3
 D523,436 S * 6/2006 Ge D14/436
 D523,854 S * 6/2006 Rinna D14/358
 D524,665 S * 7/2006 Taisto D10/65
 D532,000 S * 11/2006 Merrow D14/240
 D537,742 S * 3/2007 Escorcia D10/70
 D540,315 S * 4/2007 Merrow D14/240
 D541,793 S * 5/2007 Katsumata D13/108
 D544,462 S * 6/2007 Patel D14/155
 D549,116 S * 8/2007 Rhine D10/65
 D560,911 S * 2/2008 Hackbart D3/201
 D565,036 S * 3/2008 Ju D14/240
 D573,985 S * 7/2008 Jeong D14/240
 D595,274 S * 6/2009 Skottke D14/230
 D595,275 S * 6/2009 Skottke D14/230
 D595,699 S * 7/2009 Skottke D14/230
 D597,866 S * 8/2009 Bernard D10/52
 D602,921 S * 10/2009 Skottke D14/230
 D617,218 S * 6/2010 Jilderos D10/57
 D643,025 S * 8/2011 Podduturi D14/230
 D659,036 S * 5/2012 Madsen D10/65
 D661,697 S * 6/2012 Saunders D14/240
 D672,667 S * 12/2012 Mix D10/65
 D700,081 S * 2/2014 Balschweit D10/65
 D720,245 S * 12/2014 Neigher D10/65
 D724,080 S * 3/2015 Lin et al. D14/356
 D733,106 S * 6/2015 Frei D14/240
 D733,593 S * 7/2015 de Groot D10/56
 D733,595 S * 7/2015 Hoshino D10/70

D734,183 S * 7/2015 de Groot D10/56
 D735,701 S * 8/2015 Maxam D14/240
 D738,869 S * 9/2015 Groener D14/240
 D748,597 S * 2/2016 Boynton D14/188
 D750,054 S * 2/2016 Abdul-Hadi D14/240
 D751,534 S * 3/2016 Lenz D14/230
 D754,111 S * 4/2016 Kwak D14/240
 D754,551 S * 4/2016 Heikkila D10/65
 D756,974 S * 5/2016 Glezerman D14/206
 D759,637 S * 6/2016 Maxam D14/240
 D764,461 S * 8/2016 Romanoff D14/358
 D764,462 S * 8/2016 Romanoff D14/358
 D764,463 S * 8/2016 Dwivedula D14/358
 D768,610 S * 10/2016 Moon D14/242
 D773,330 S * 12/2016 Dietz D10/106.5
 D775,537 S * 1/2017 Kikstra D10/106.6
 D778,750 S * 2/2017 Phillips D10/106.9
 D781,272 S * 3/2017 Virhia D14/240
 D781,734 S * 3/2017 Lim D10/83
 D783,423 S * 4/2017 Srnec D10/52
 D788,603 S * 6/2017 Liu D10/102
 D788,625 S * 6/2017 Hsieh D10/106.6
 D789,338 S * 6/2017 Moon D14/240
 D789,361 S * 6/2017 Ali D14/358
 D789,819 S * 6/2017 Chen D10/106.6
 D791,767 S * 7/2017 Ali D14/358
 2006/0244573 A1 * 11/2006 Wendler G01S 19/35
 340/426.19
 2013/0127617 A1 * 5/2013 Baade G08B 13/06
 340/539.31
 2013/0265697 A1 * 10/2013 Taylor H05K 5/0095
 361/679.01
 2013/0271281 A1 * 10/2013 Jessop G08B 13/2462
 340/539.13
 2015/0371511 A1 * 12/2015 Miller G01S 19/16
 340/545.6
 2016/0321897 A1 * 11/2016 Lee G08B 13/2462
 2017/0034931 A1 * 2/2017 Little H05K 5/0026

OTHER PUBLICATIONS

Economic Guide _ Increased competitiveness through the industrial Internet of Things. wirtschafts-guide.ch. (online) 15 pgs. Posted 2016 [retrieved on Jul. 17, 2017] http://www.wirtschafts-guide.ch/erhoehte-wettbewerbsfaehigkeit-durch-das-industrielle-internet-der-dinge.*

* cited by examiner

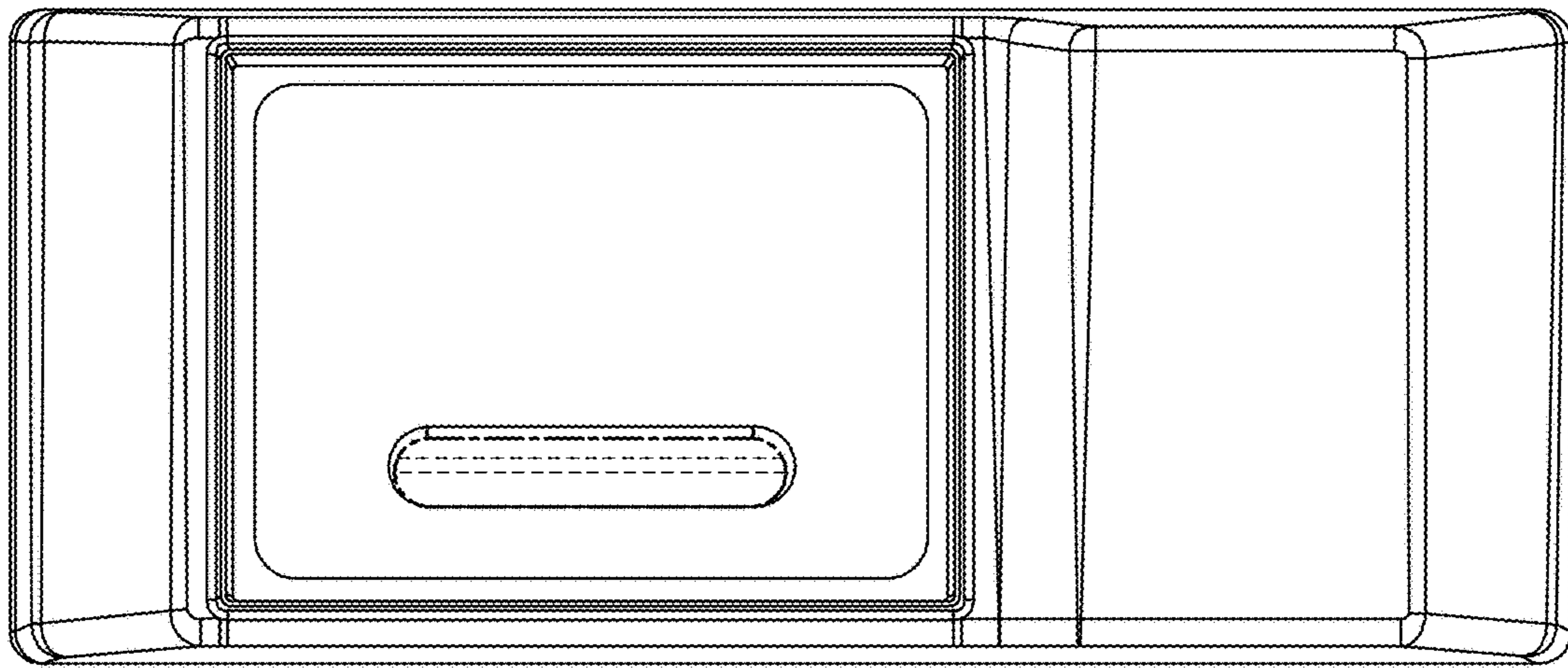


FIG. 1

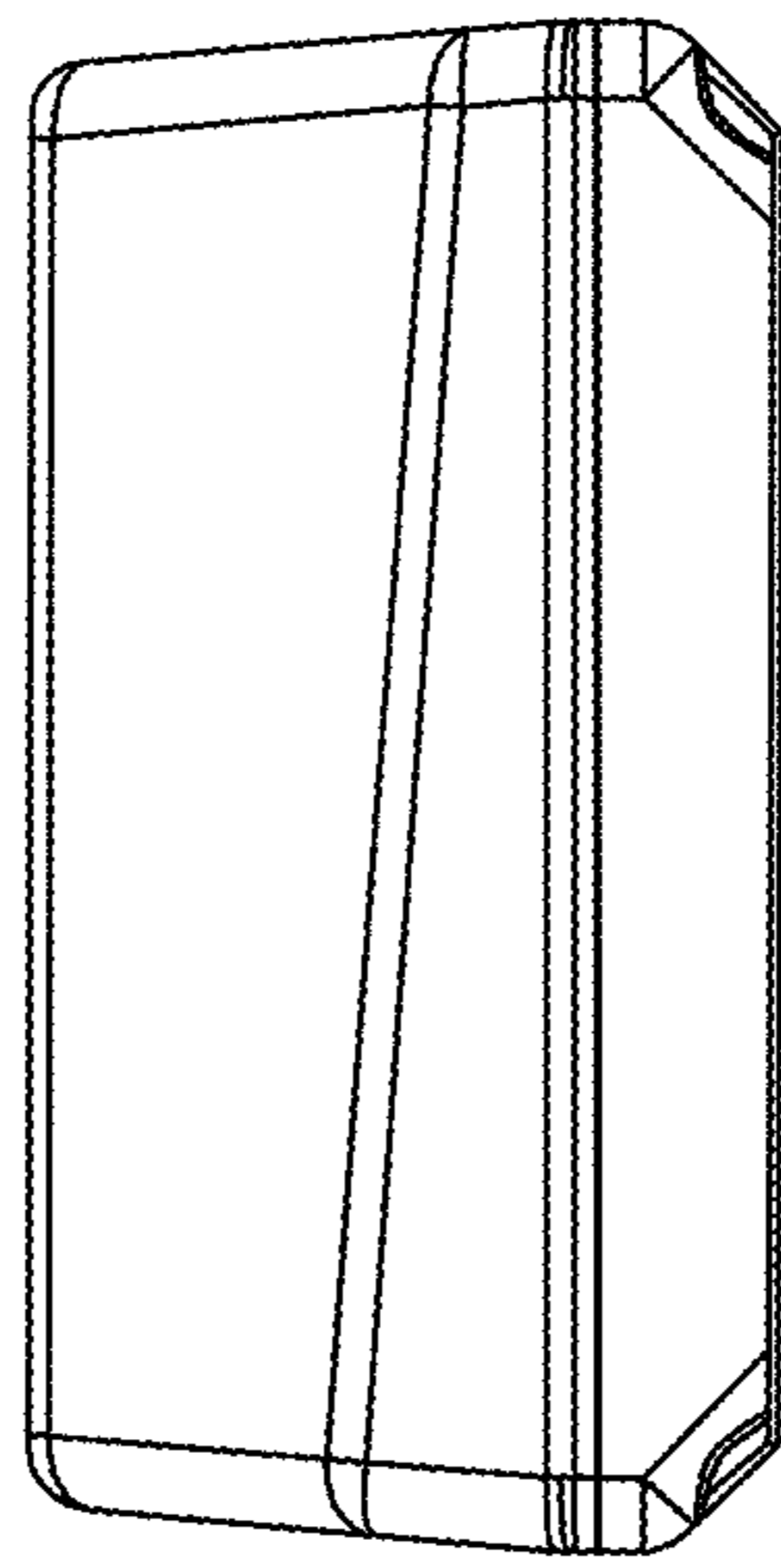


FIG. 2

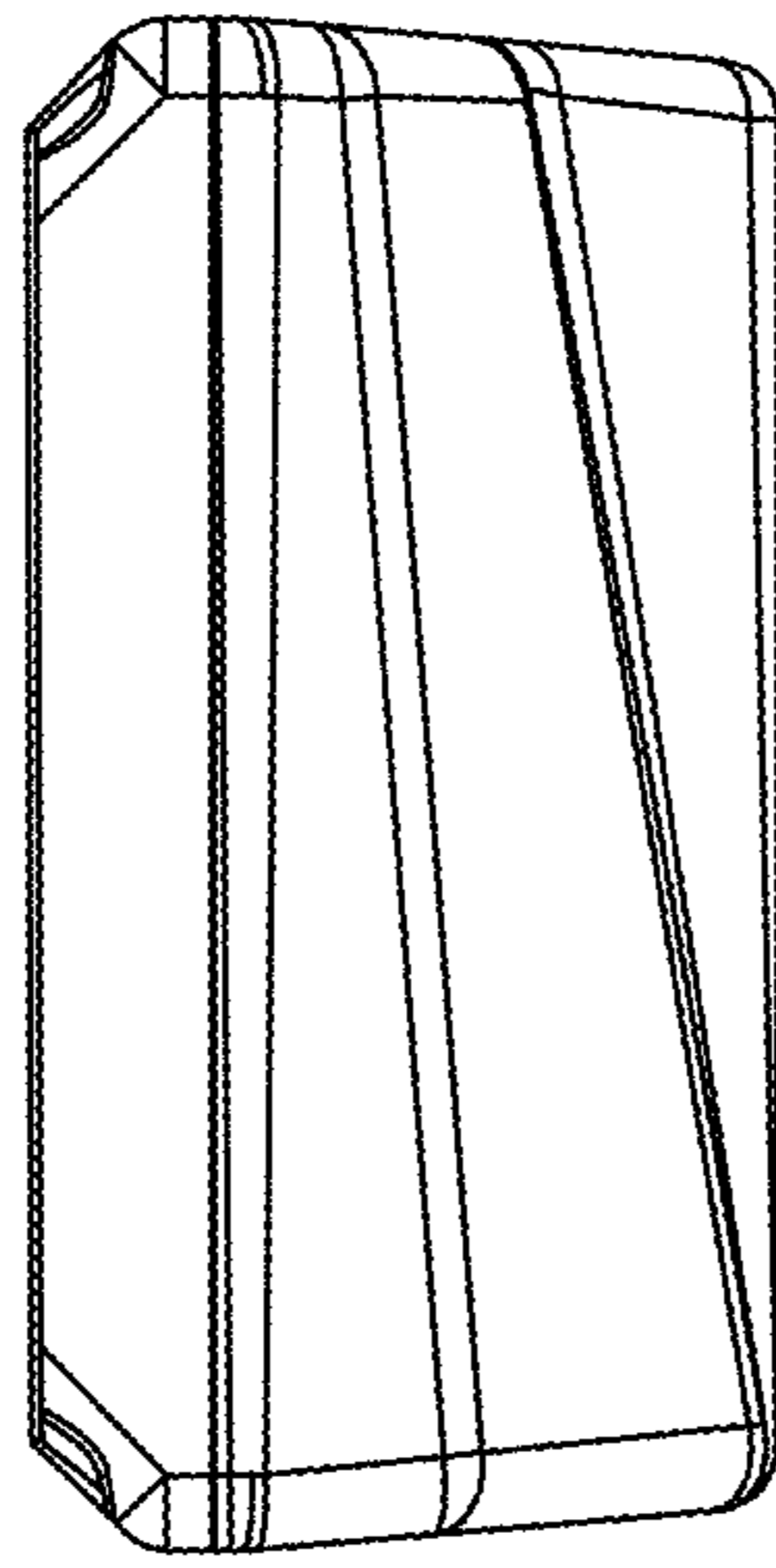


FIG. 3

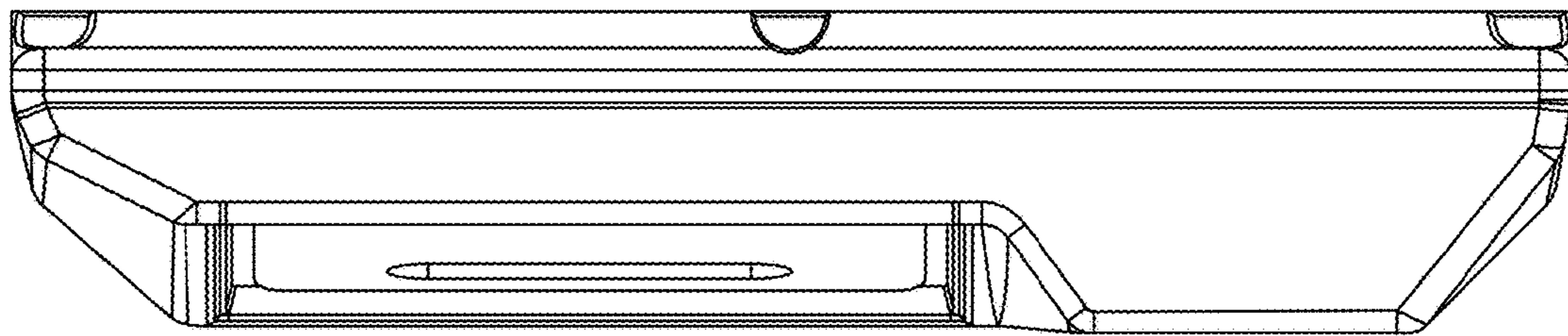


FIG. 4



FIG. 5

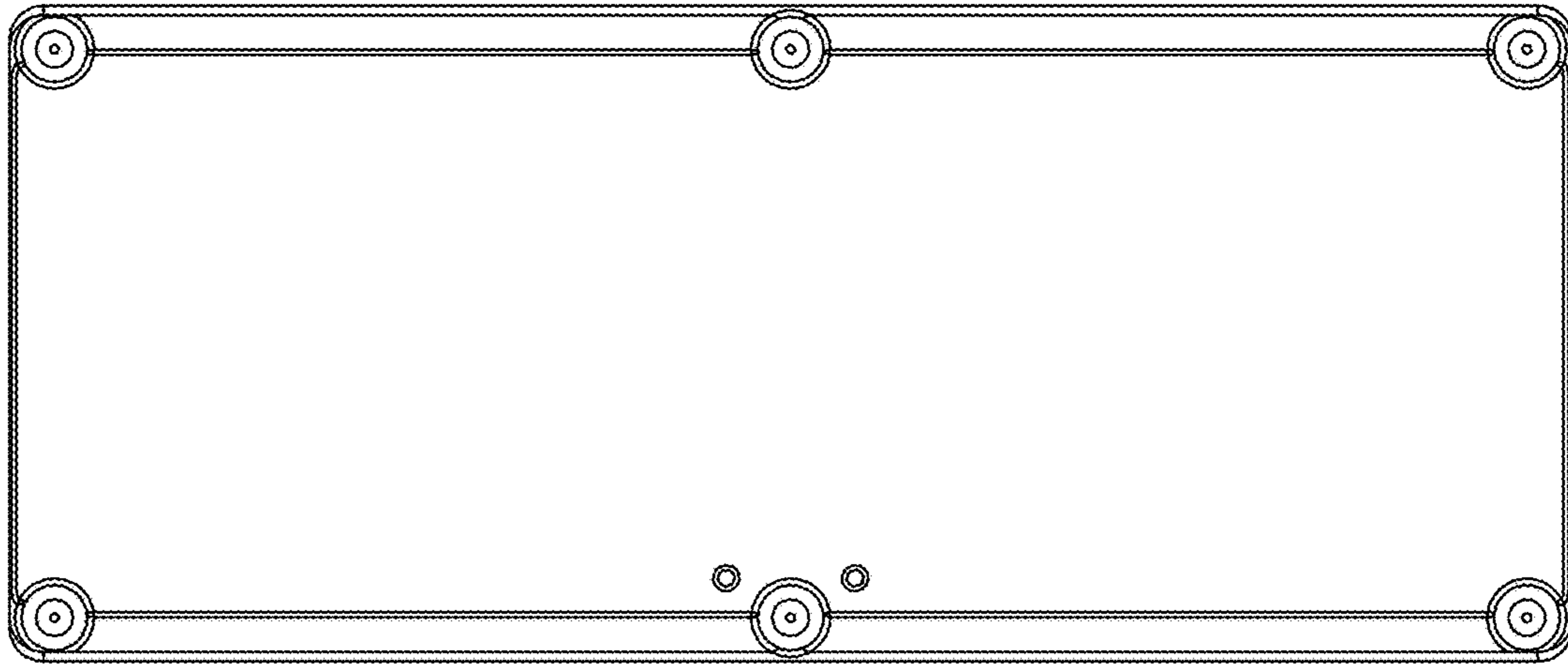


FIG. 6

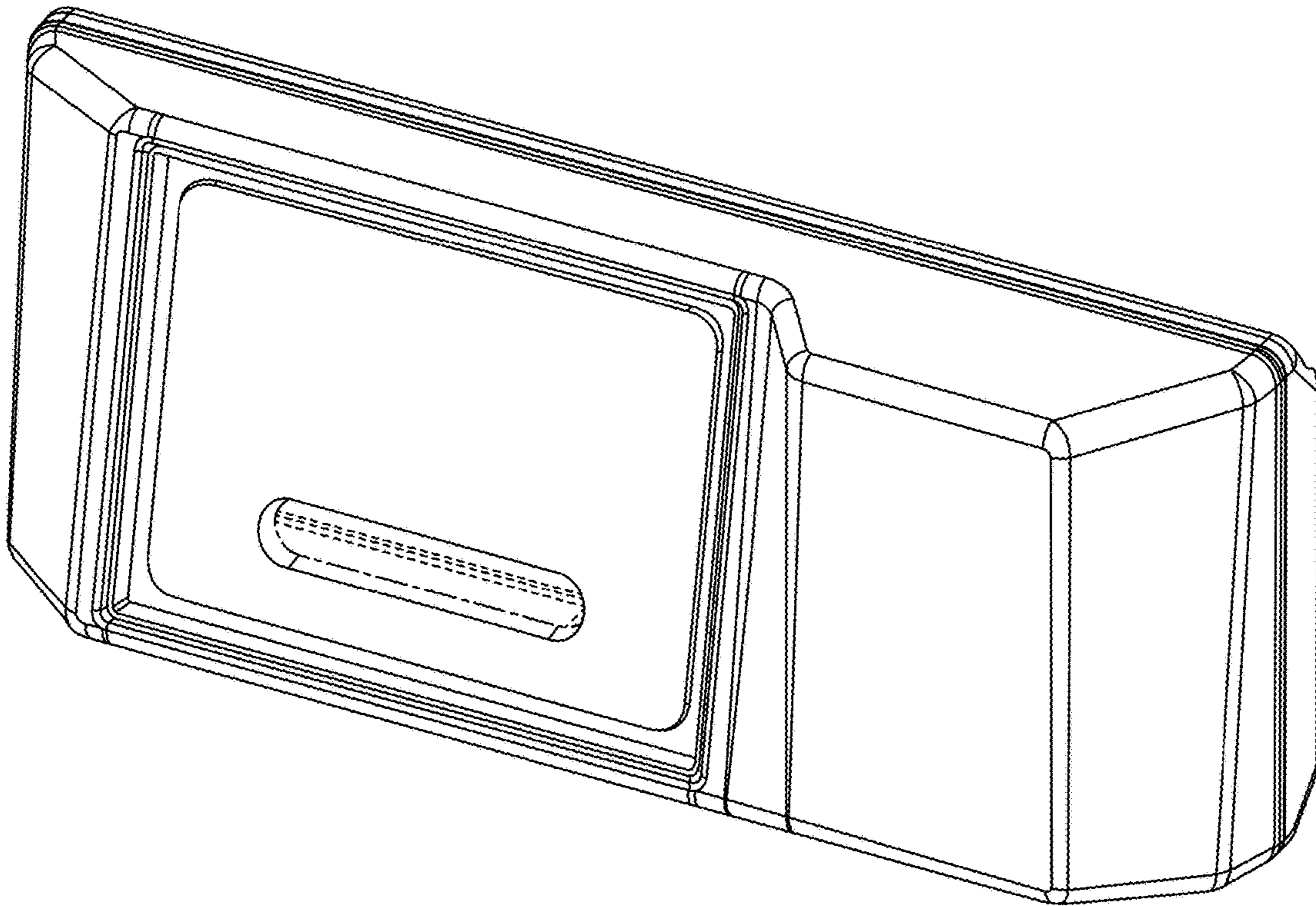


FIG. 7

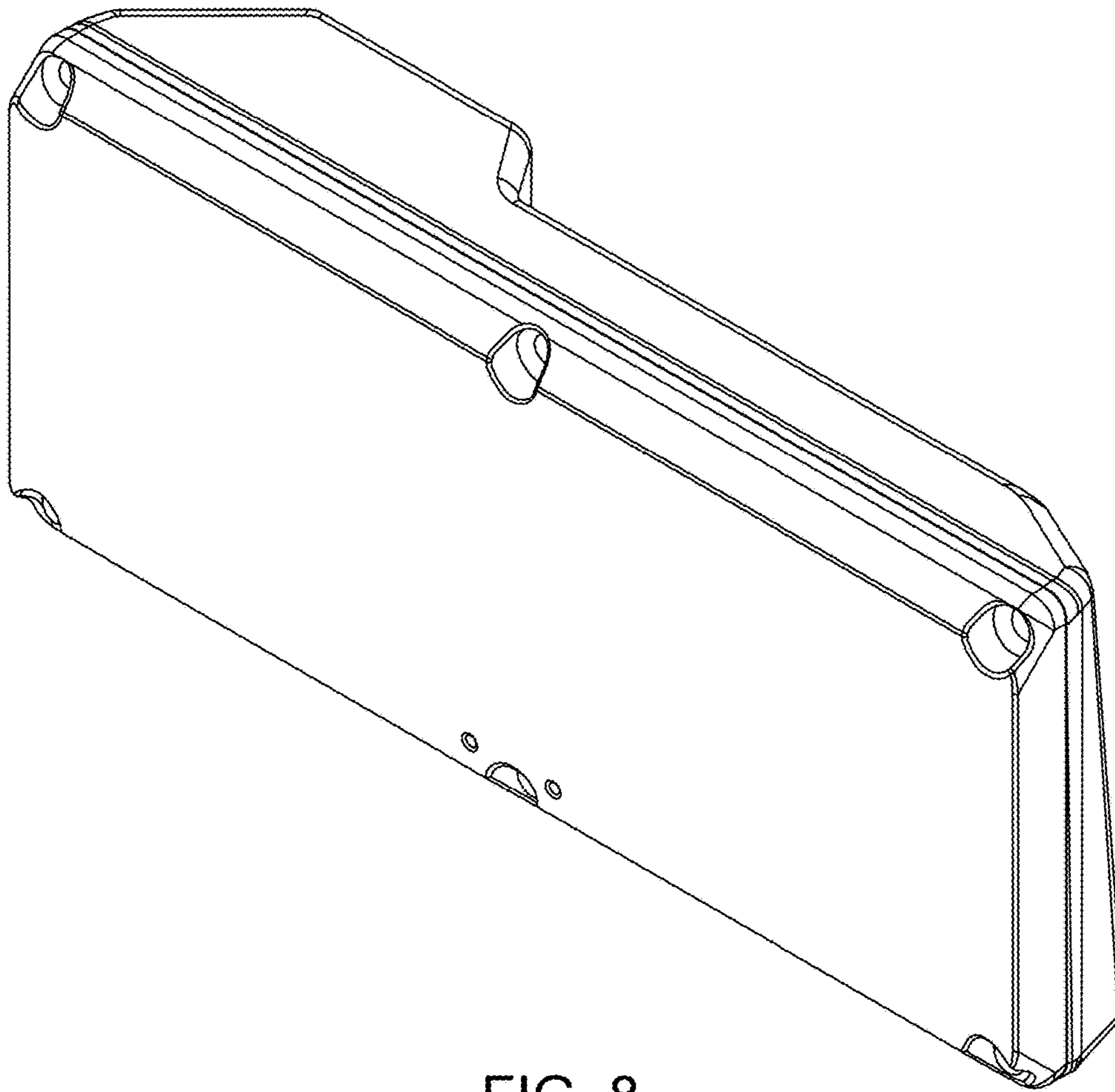


FIG. 8