



US00D815624S

(12) **United States Design Patent**  
**Davis**

(10) **Patent No.:** **US D815,624 S**  
(45) **Date of Patent:** **\*\* Apr. 17, 2018**

(54) **MULTI-ANGLE TELEVISION WALL-MOUNT**

(56)

**References Cited**

(71) Applicant: **Claude Davis**, Elizabeth, NJ (US)

(72) Inventor: **Claude Davis**, Elizabeth, NJ (US)

(\*\*) Term: **15 Years**

(21) Appl. No.: **29/579,782**

(22) Filed: **Oct. 3, 2016**

(51) **LOC (11) Cl.** ..... **14-03**

(52) **U.S. Cl.**  
USPC ..... **D14/239**

(58) **Field of Classification Search**  
USPC ..... D14/239, 371, 136, 374-377; D8/363,  
D8/373, 349, 394; 248/465, 917-924,  
248/123.11; 348/825, 827, 836, 837, 838,  
348/180, 184, 325, 739; 600/443;  
D6/477-479, 407, 474, 460, 461, 468;  
312/7.2; 341/12; 345/87, 104, 133, 156,  
345/168, 169, 173; 720/605, 669, 600,  
720/655; 369/99, 197; 455/344-347;  
349/1, 2, 11, 62; 108/59, 91, 92, 96;  
211/40, 41.12, 42, 49.1, 50, 85.2, 90.04,  
211/187, 190, 119.003, 134.153, 87.01,  
211/71.01

CPC ..... A47B 43/00; G03B 1/00  
See application file for complete search history.

U.S. PATENT DOCUMENTS

D636,765 S *	4/2011	Molter	.....	D14/239
D652,030 S *	1/2012	Dolack	.....	D14/239
D662,104 S *	6/2012	Brandt	.....	D14/452
D682,258 S *	5/2013	Anderson	.....	D14/239
D700,593 S *	3/2014	Xiang	.....	D14/239
8,827,226 B2 *	9/2014	Townsend	.....	F16M 11/10 220/3.5

\* cited by examiner

*Primary Examiner* — Randall H Gholson

(74) *Attorney, Agent, or Firm* — RG Patent Consulting, LLC; Rachel Gilboy

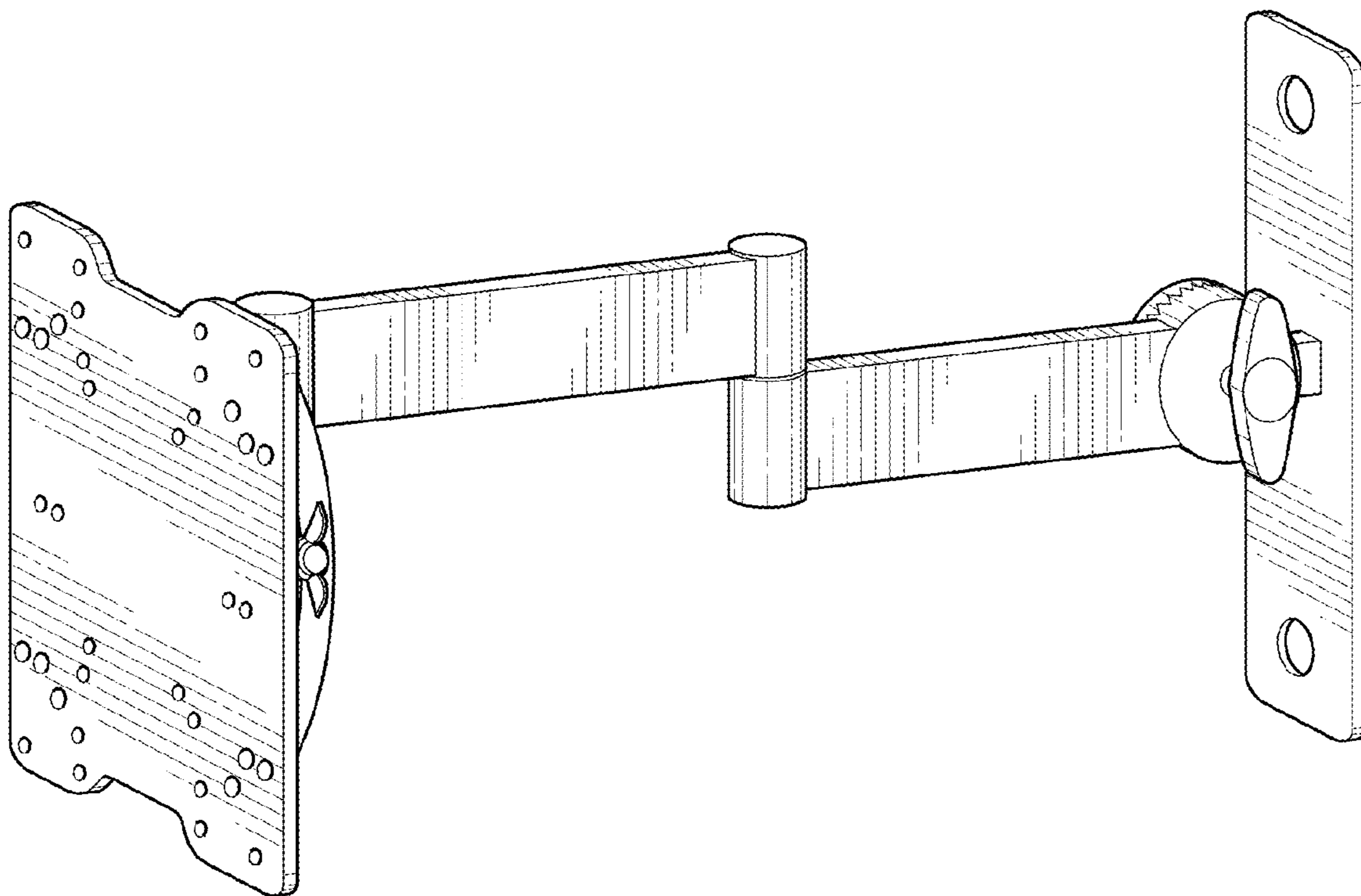
(57) **CLAIM**

The ornamental design for a multi-angle television wall-mount, as shown and described.

**DESCRIPTION**

FIG. 1 is a perspective view of the multi-angle television wall-mount showing my new design;  
FIG. 2 is a right side view thereof;  
FIG. 3 is a left side view thereof;  
FIG. 4 is a top plan view thereof;  
FIG. 5 is a bottom plan view thereof;  
FIG. 6 is a front elevation view thereof; and,  
FIG. 7 is a rear elevation view thereof.

**1 Claim, 6 Drawing Sheets**



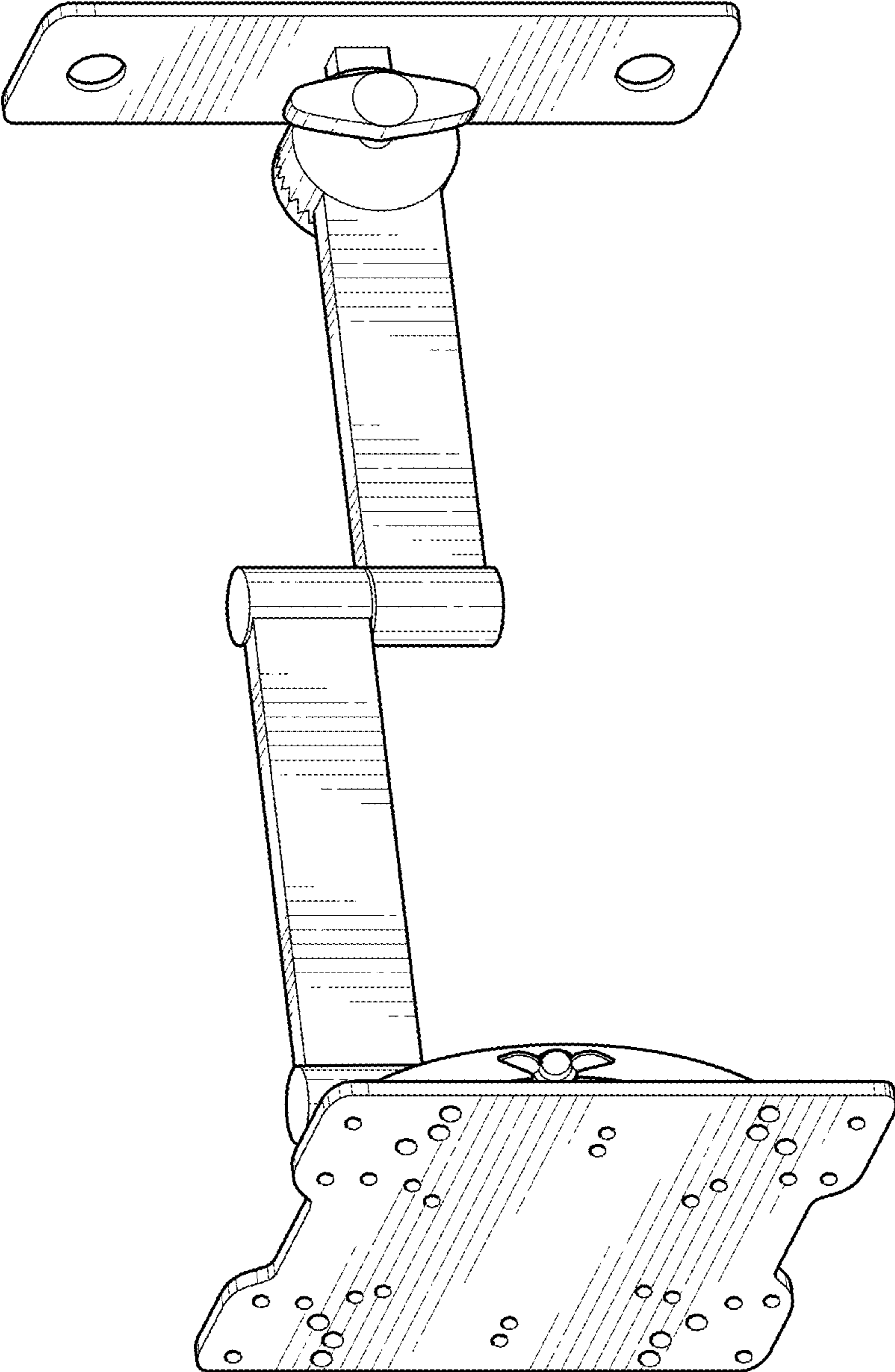


FIG. 1

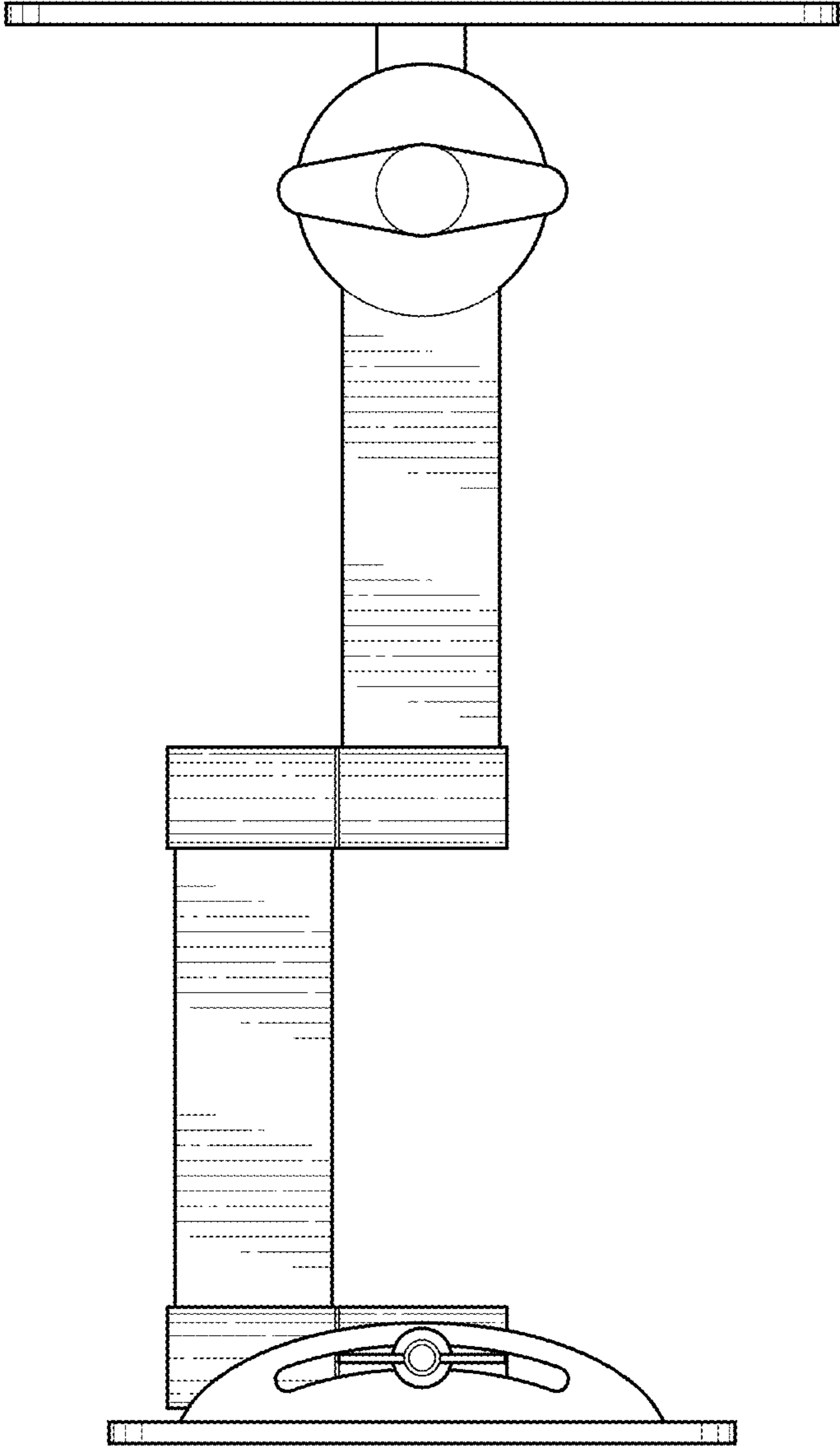


FIG. 2

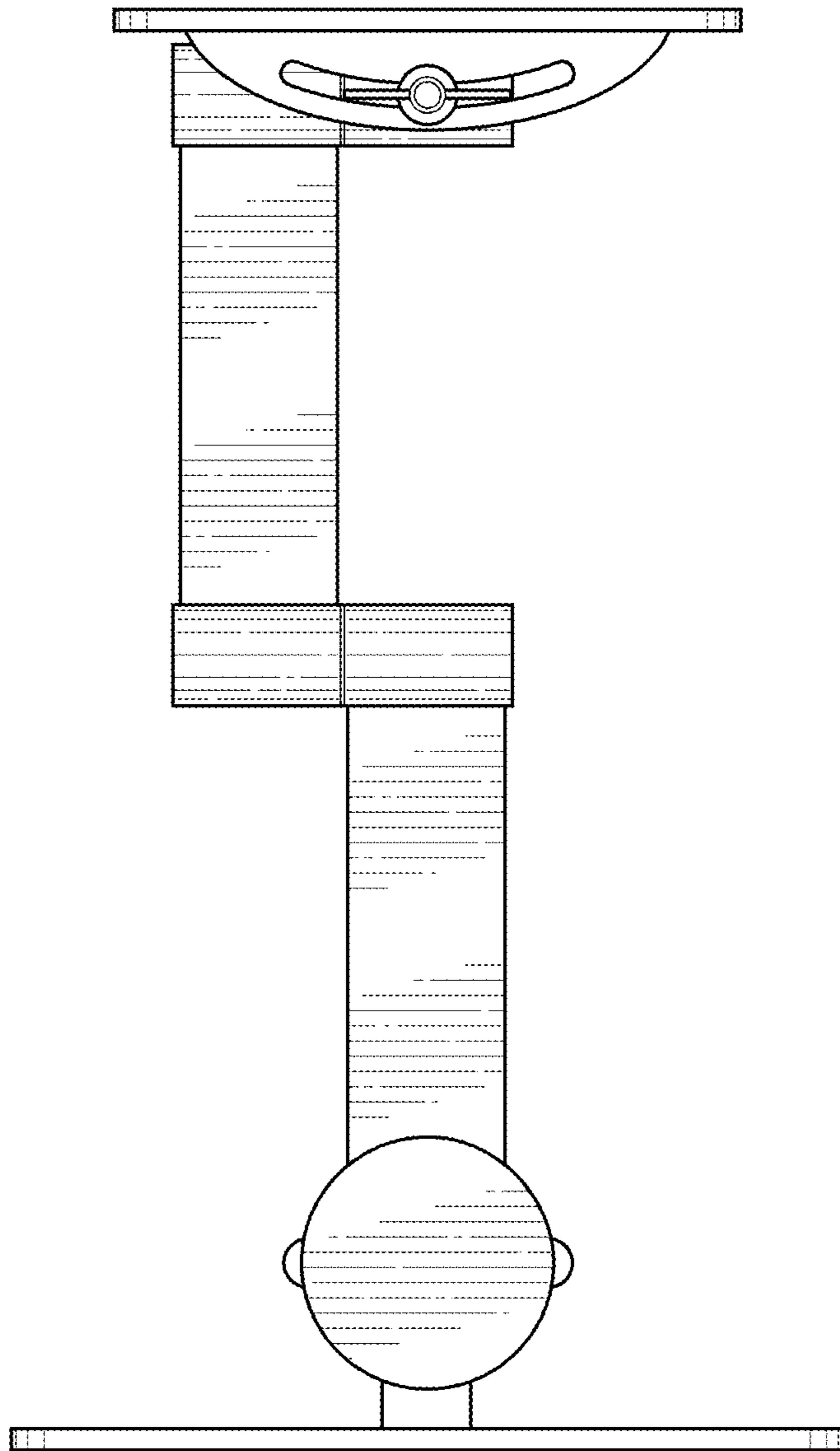


FIG. 3

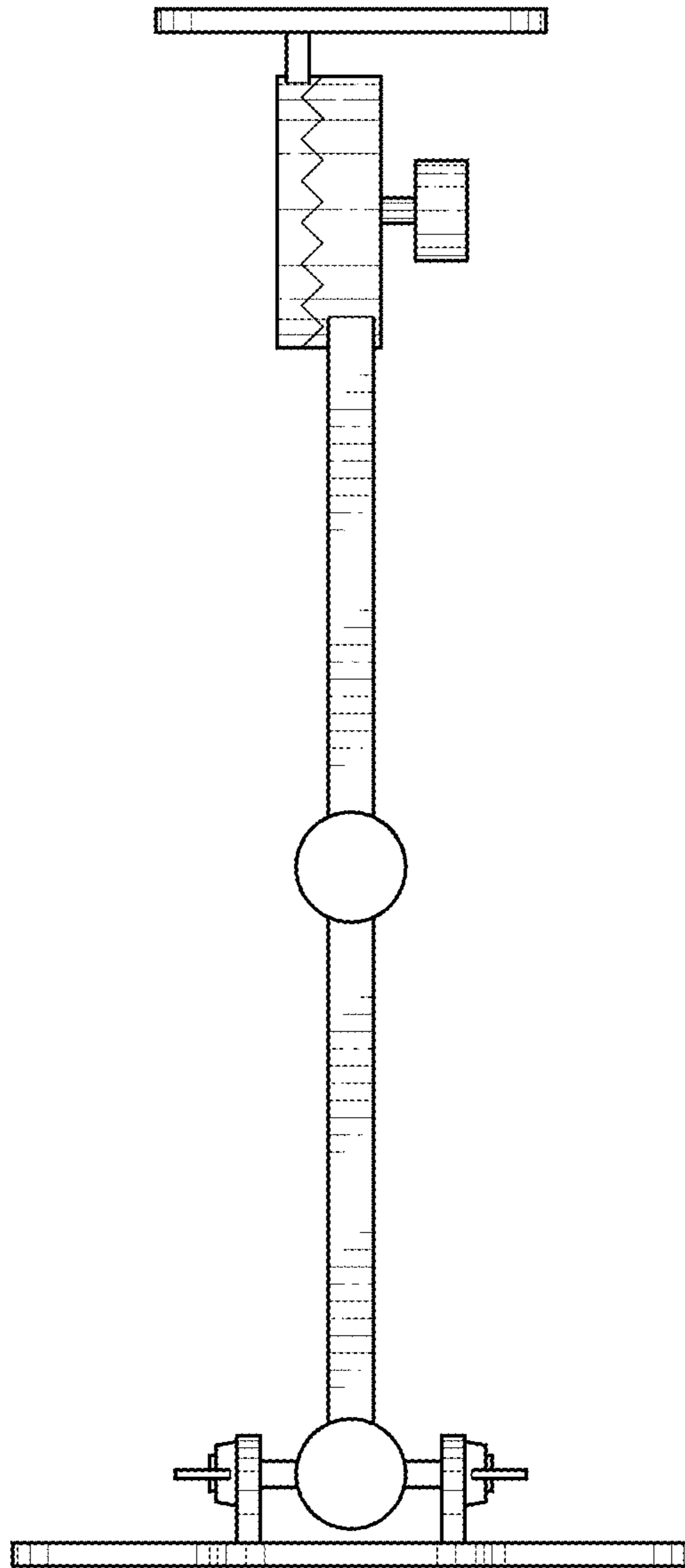


FIG. 4

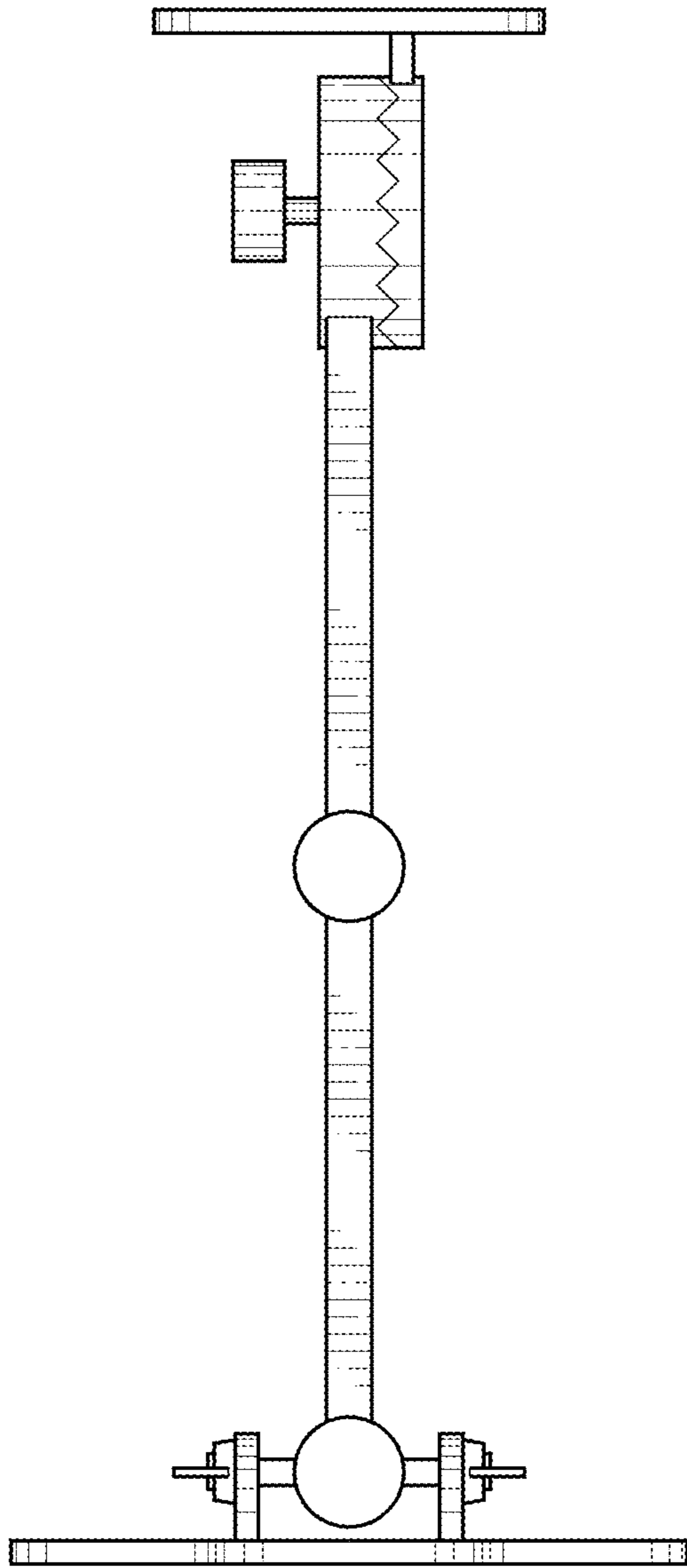


FIG. 5

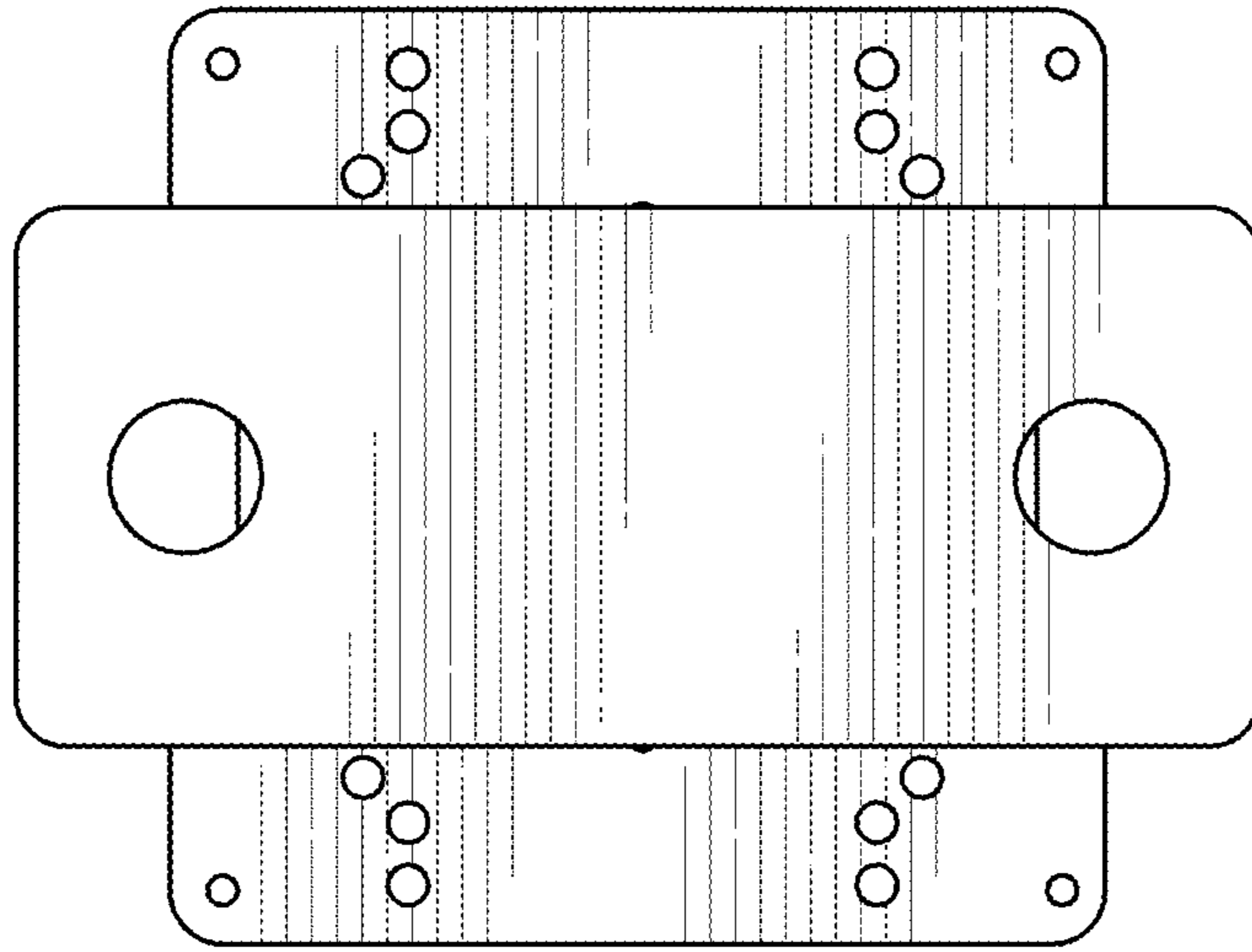


FIG. 7

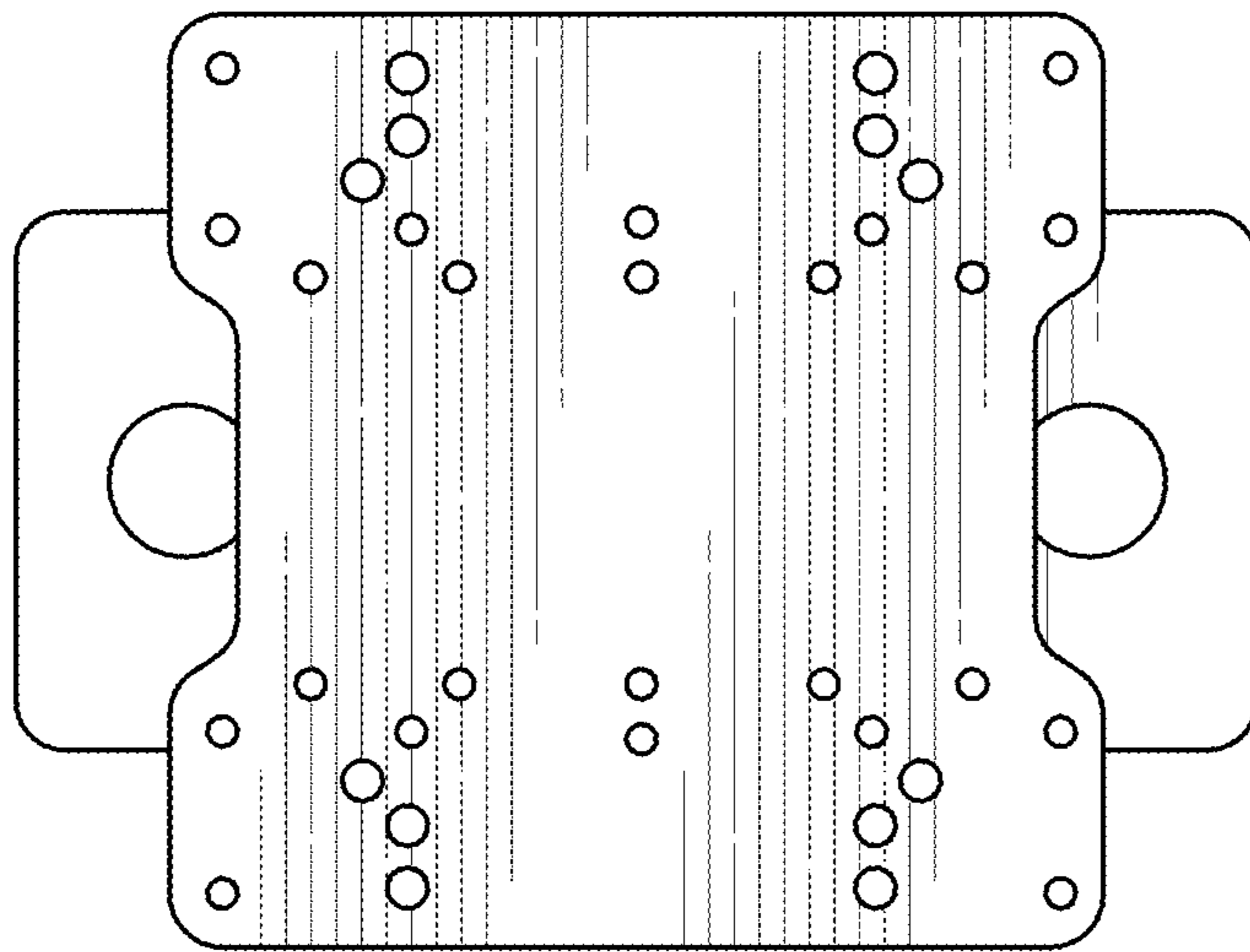


FIG. 6