



US00D815620S

(12) **United States Design Patent**
Podduturi

(10) **Patent No.:** **US D815,620 S**
(45) **Date of Patent:** **** Apr. 17, 2018**

- (54) **TRUNCATED AND ORTHOGONAL IK10 OMNI ANTENNA**
- (71) Applicant: **World Products, Inc.**, Sonoma, CA (US)
- (72) Inventor: **Bharadvaj R. Podduturi**, American Canyon, CA (US)
- (73) Assignee: **World Products, Inc.**, Sonoma, CA (US)
- (**) Term: **15 Years**
- (21) Appl. No.: **29/552,123**
- (22) Filed: **Jan. 20, 2016**
- (51) **LOC (11) Cl.** **14-03**
- (52) **U.S. Cl.**
USPC **D14/230**
- (58) **Field of Classification Search**
USPC D14/138, 230-238, 299, 358; D12/42, D12/43
CPC H01Q 7/00; H01Q 13/10; H01Q 9/285; H01Q 19/30; H01Q 19/12; H01Q 1/38; H01Q 1/36; H01Q 5/0027; H01Q 1/48; H01Q 9/045; H01Q 1/243; H04B 1/0475; H04B 1/034; H05K 11/00
See application file for complete search history.

D782,448 S *	3/2017	Gosalia	D14/230
D799,457 S *	10/2017	Chang	D14/230
D800,099 S *	10/2017	Lai	D14/230
D801,318 S *	10/2017	Manivannan	D14/230
2003/0189522 A1 *	10/2003	Zeilinger	H01Q 9/0421 343/702
2009/0146906 A1 *	6/2009	Anguera Pros	H01Q 5/371 343/906
2010/0123631 A1 *	5/2010	Chang	H01Q 1/243 343/700 MS

* cited by examiner

Primary Examiner — John Windmuller

(74) *Attorney, Agent, or Firm* — Patterson Thuente Pedersen, P.A.

(57) **CLAIM**

I claim the ornamental design for truncated and orthogonal IK10 omni antenna, as shown and described.

DESCRIPTION

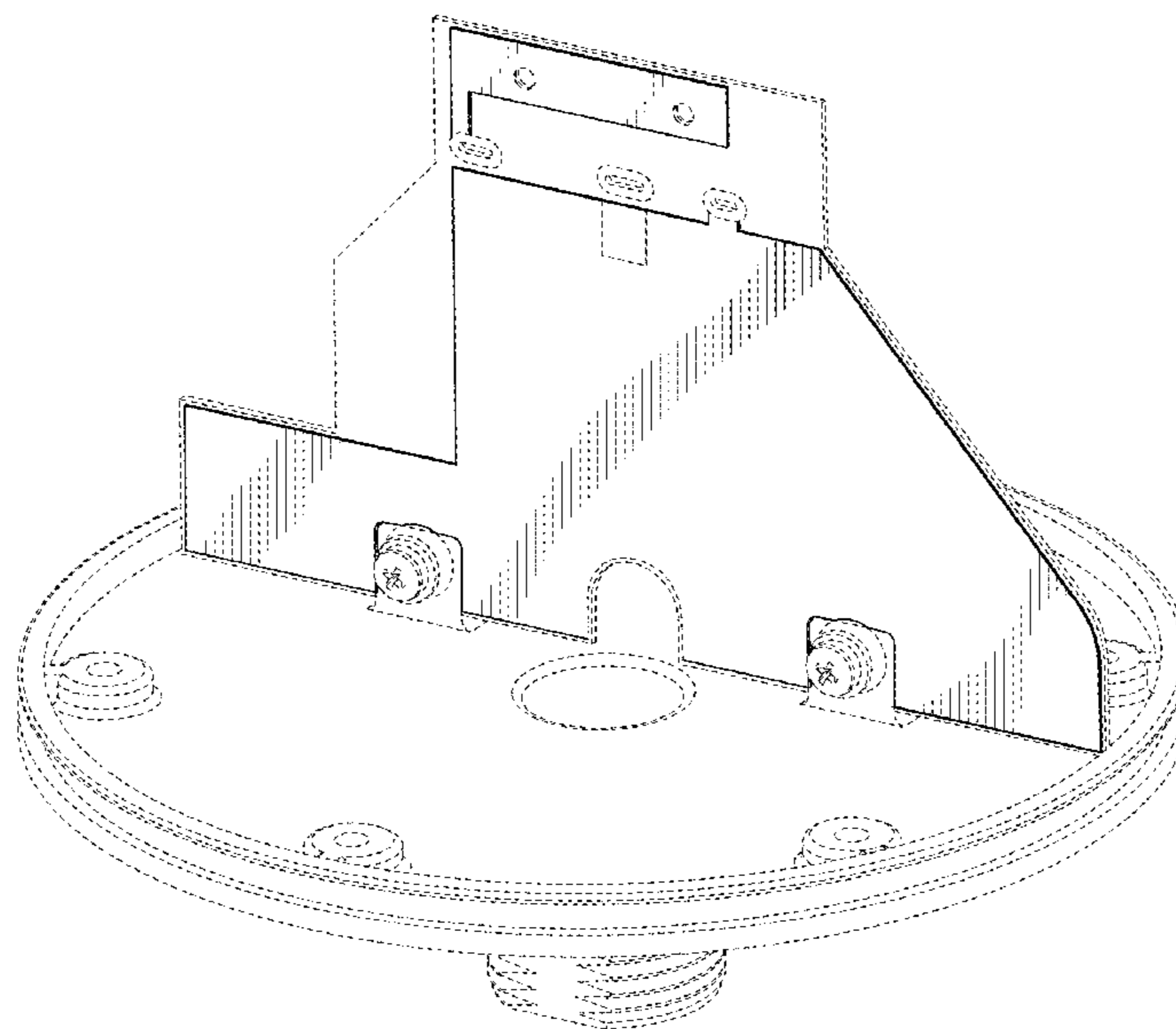
FIG. 1 is a perspective view of a truncated and orthogonal IK10 omni antenna according to the invention.
 FIG. 2 is a front elevation view of the truncated and orthogonal IK10 omni antenna depicted in FIG. 1.
 FIG. 3 is a rear elevation view of the truncated and orthogonal IK10 omni antenna depicted in FIG. 1.
 FIG. 4 is a side elevation view of the truncated and orthogonal IK10 omni antenna depicted in FIG. 1.
 FIG. 5 is another side elevation view of the truncated and orthogonal IK10 omni antenna depicted in FIG. 1.
 FIG. 6 is a top plan view of the truncated and orthogonal IK10 omni antenna depicted in FIG. 1; and,
 FIG. 7 is a bottom plan view of the truncated and orthogonal IK10 omni antenna depicted in FIG. 1.
 The broken lines illustrate portions of the truncated and orthogonal IK10 omni antenna which form no part of the claimed invention.

1 Claim, 7 Drawing Sheets

(56) **References Cited**

U.S. PATENT DOCUMENTS

D635,126 S *	3/2011	Tsai	D14/230
D658,639 S *	5/2012	Huang	D14/230
D695,280 S *	12/2013	Yang	D14/230
D708,602 S *	7/2014	Gosalia	D14/230
D781,823 S *	3/2017	Chang	D14/230



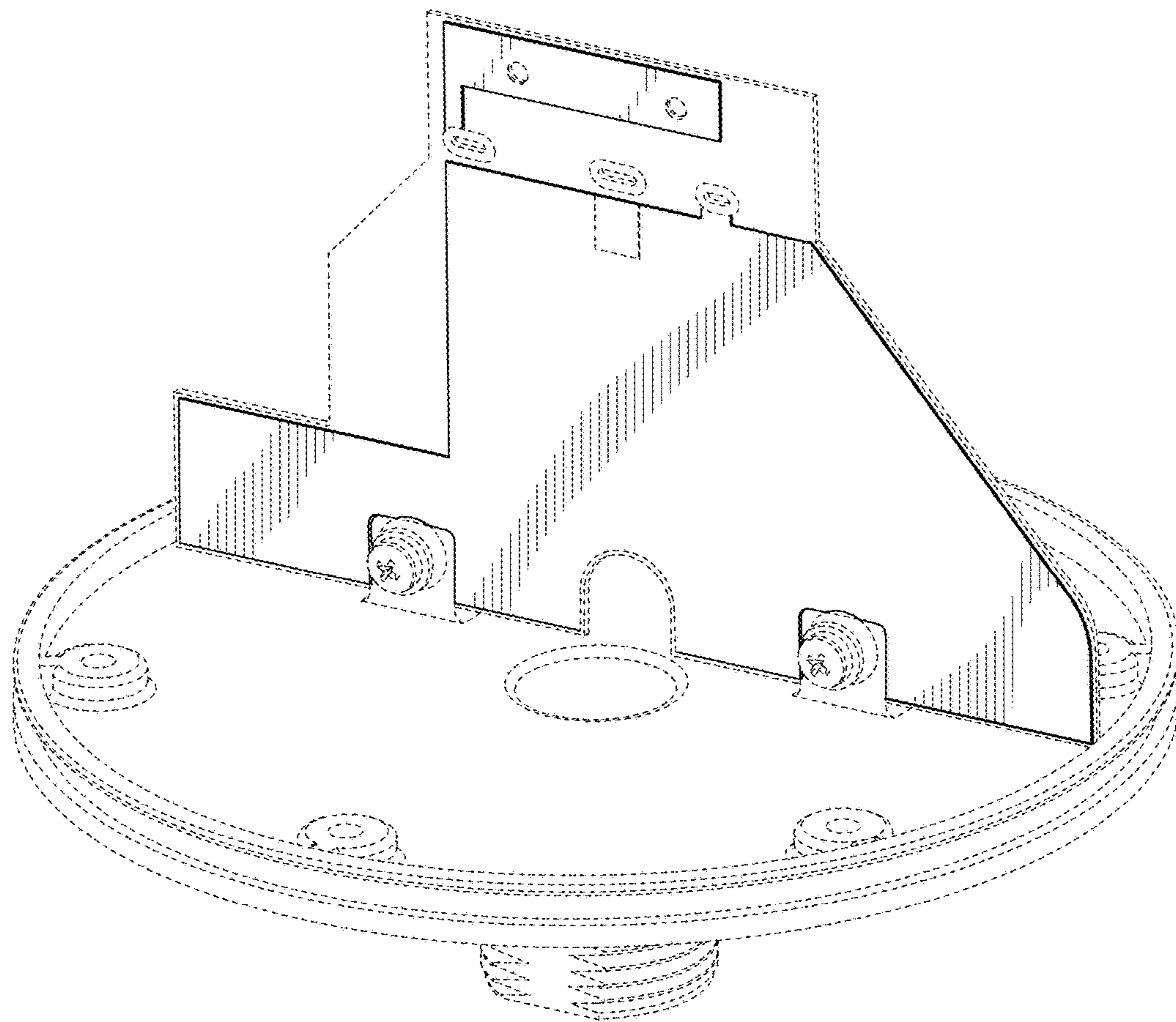


FIG. 1

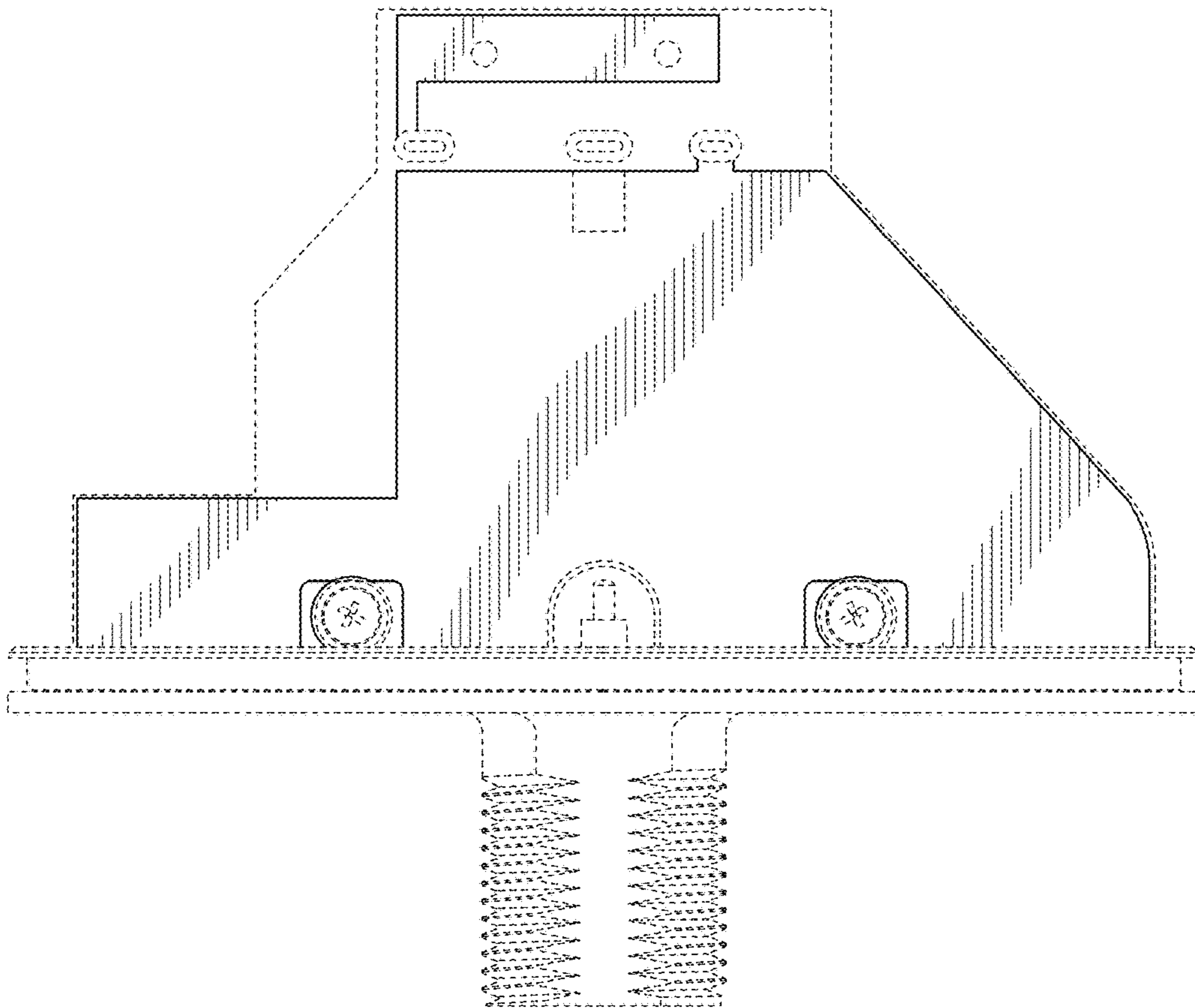


FIG. 2

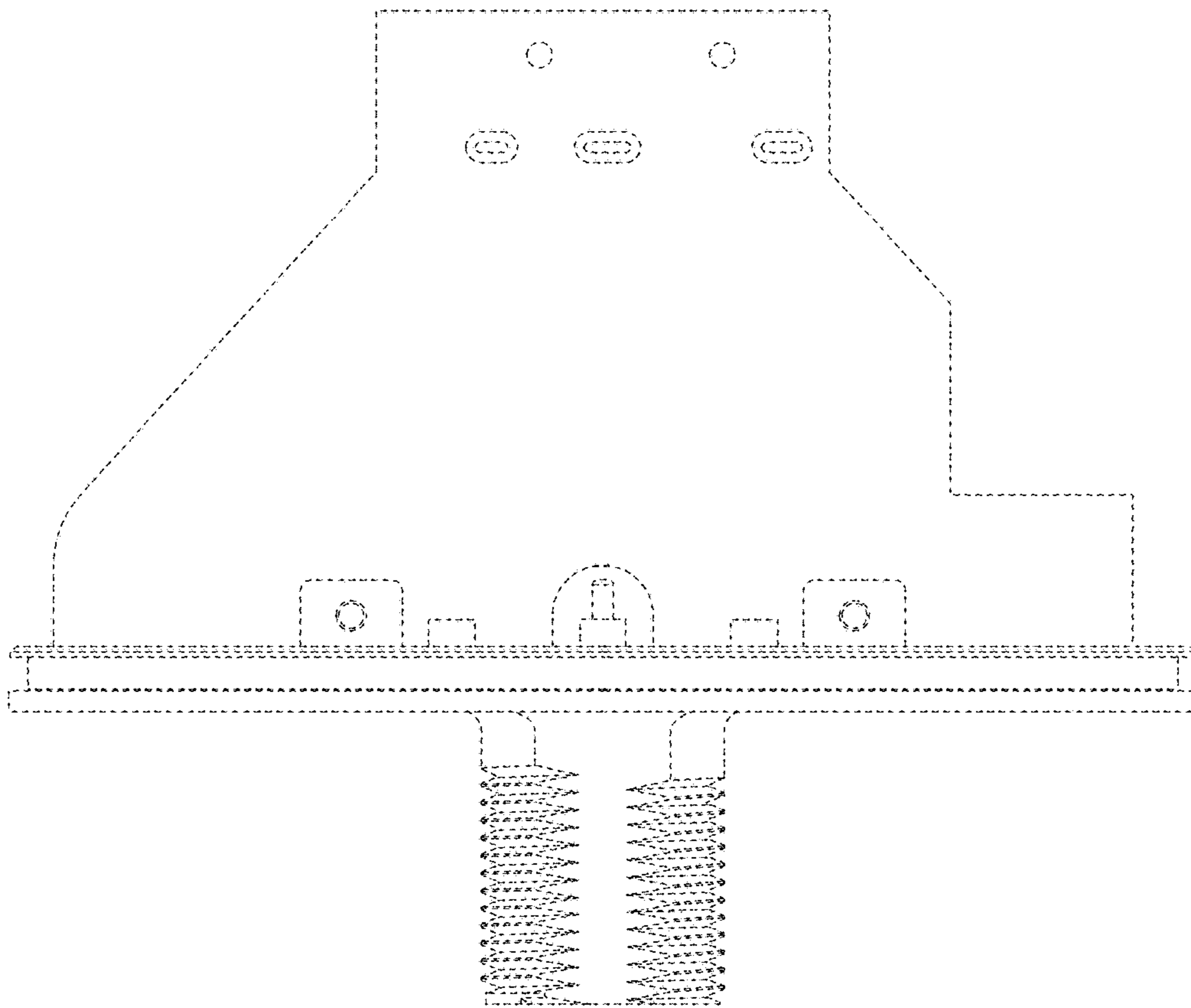


FIG. 3

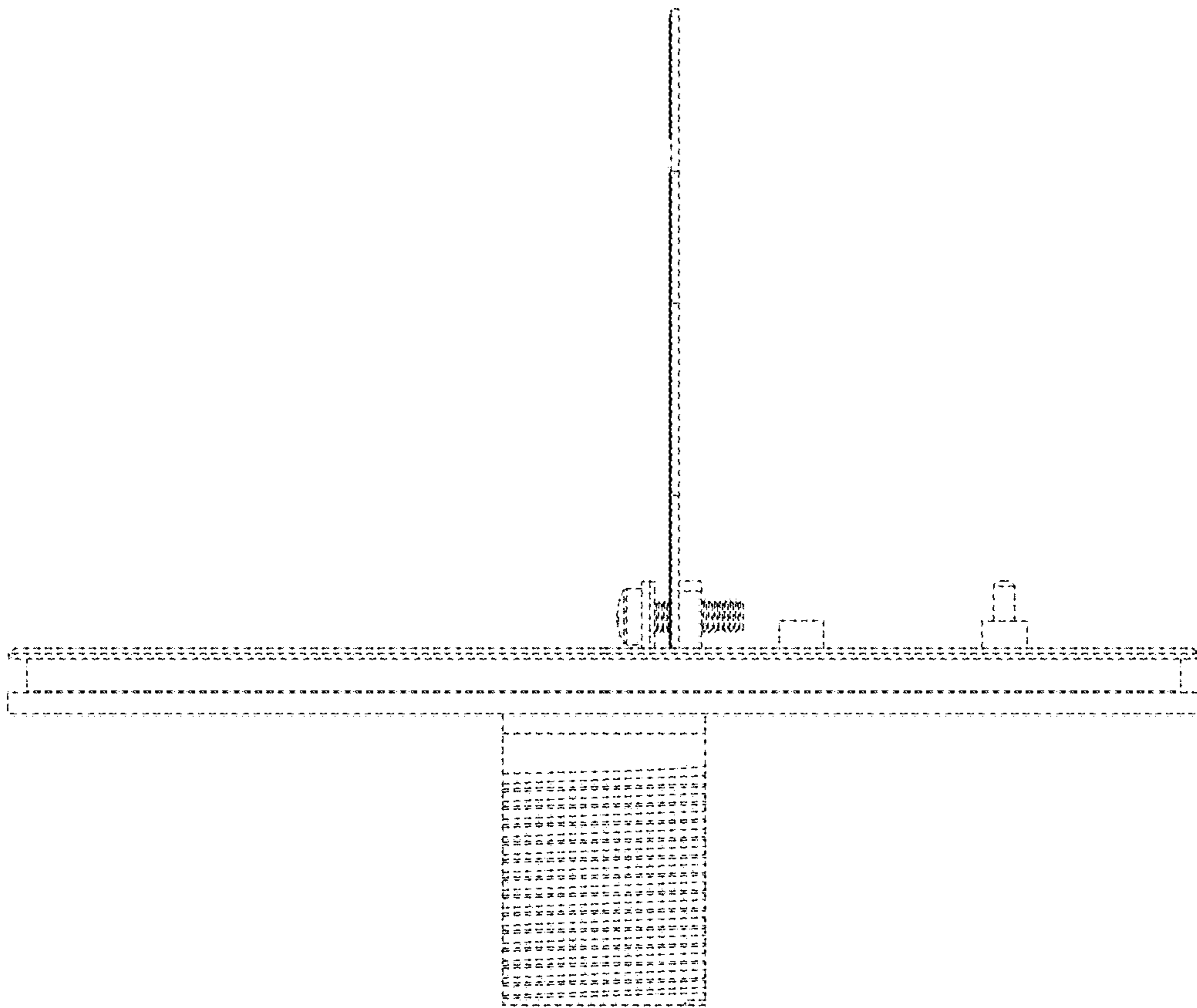


FIG. 4

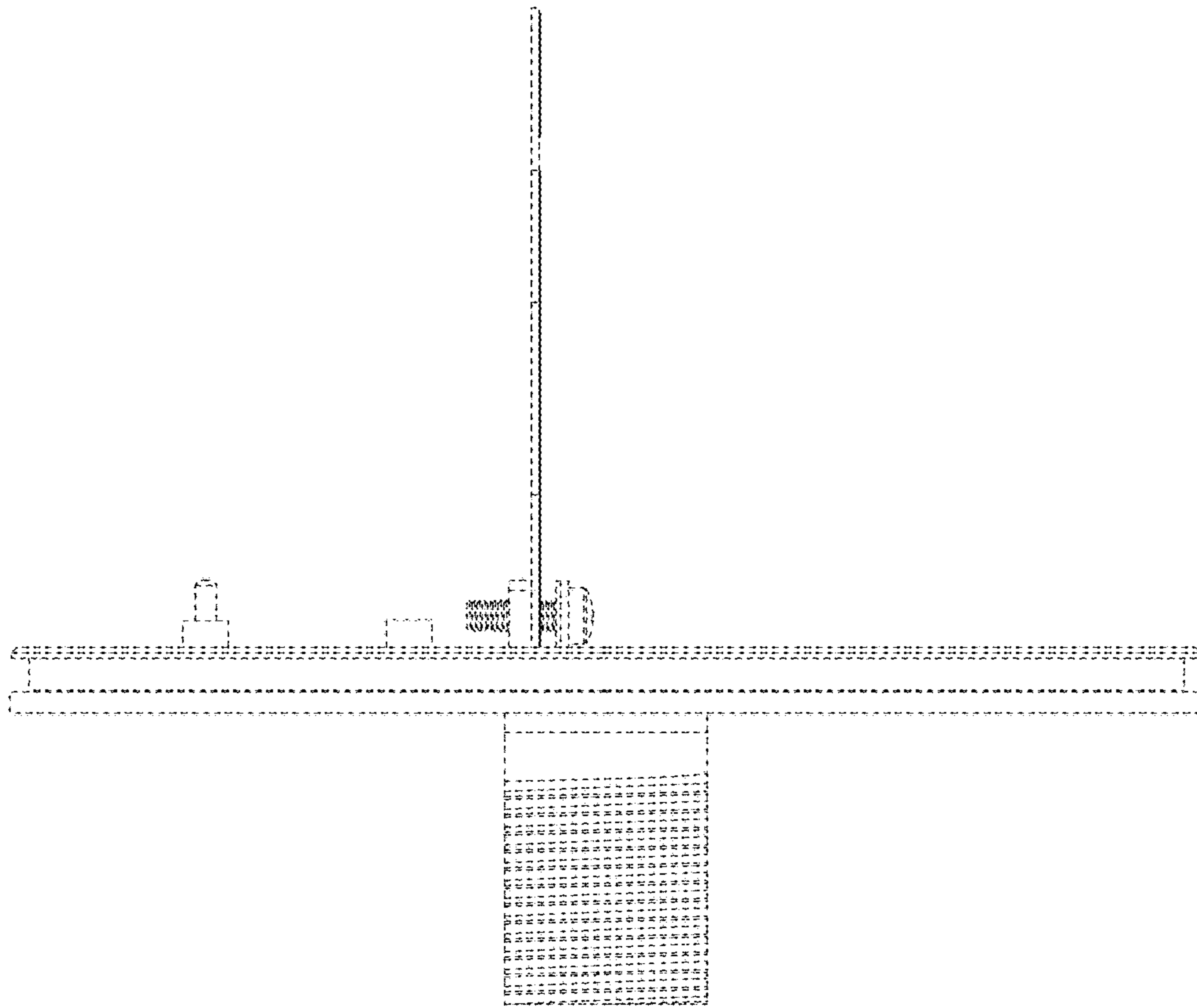


FIG. 5

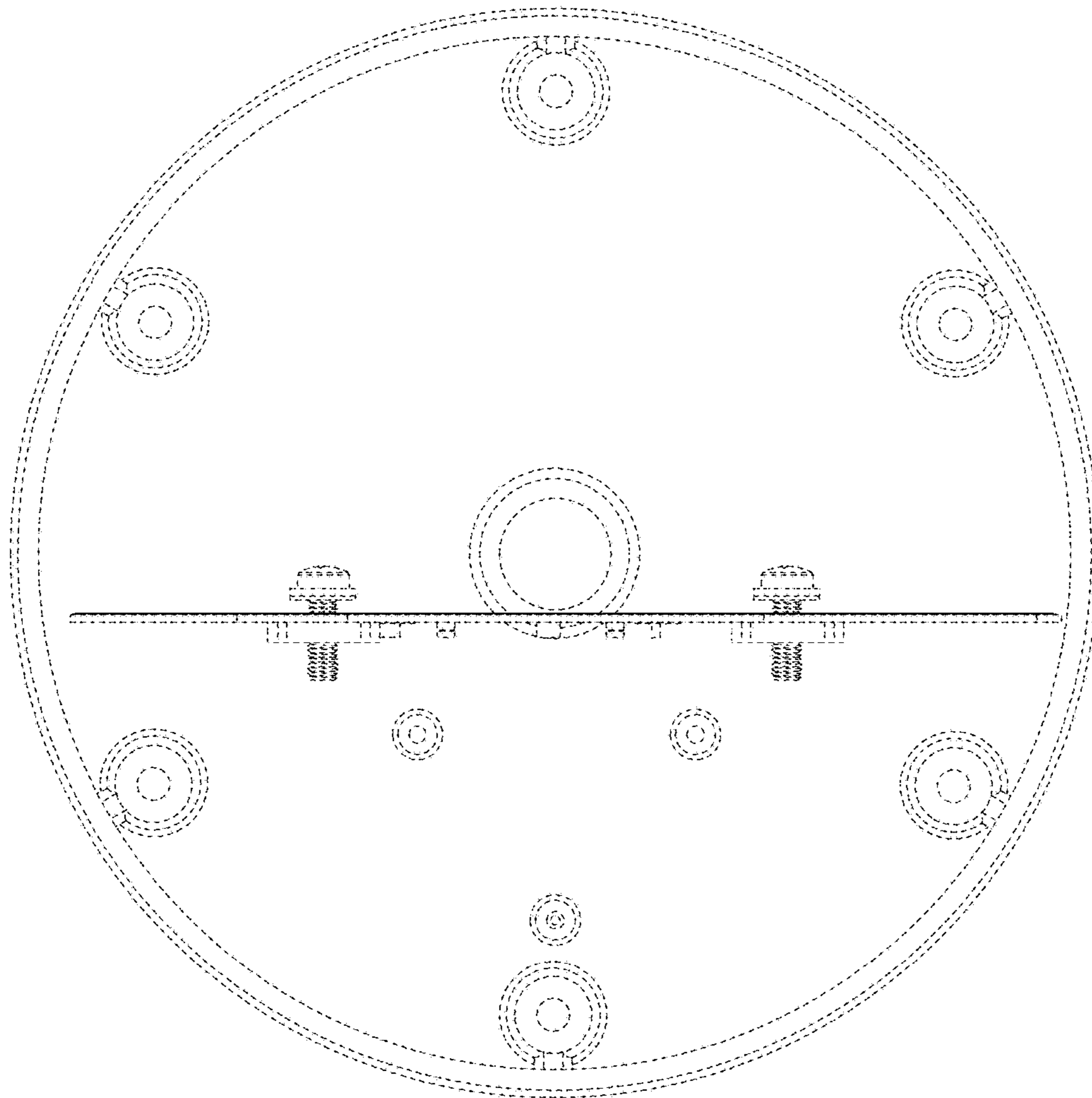


FIG. 6

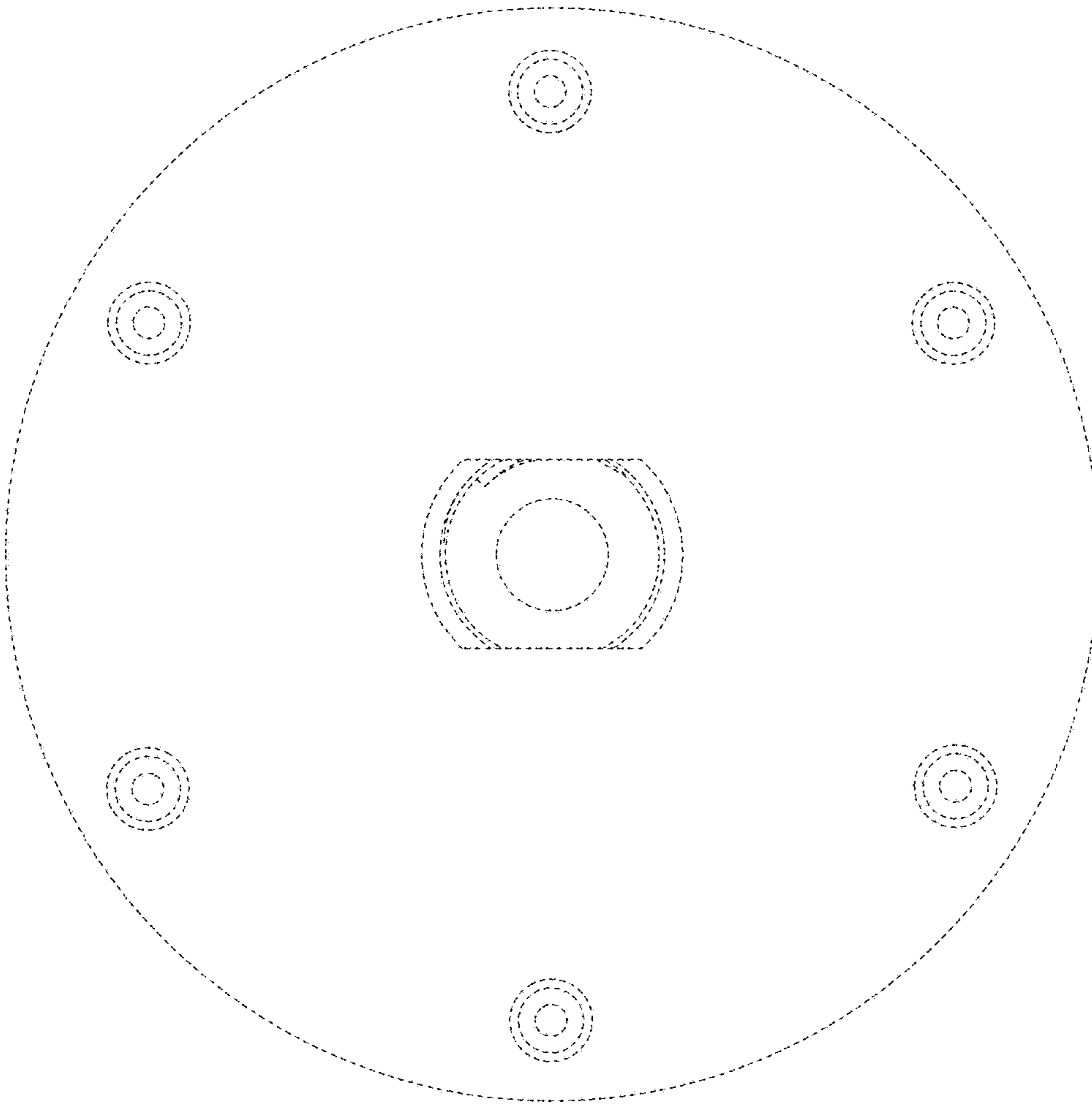


FIG. 7