



US00D815616S

(12) **United States Design Patent**
Hu

(10) **Patent No.:** **US D815,616 S**
(45) **Date of Patent:** **** Apr. 17, 2018**

(54) **WIRELESS HEADSET**

(71) Applicant: **Zhihui Hu**, Shenzhen (CN)

(72) Inventor: **Zhihui Hu**, Shenzhen (CN)

(73) Assignee: **MPOW TECHNOLOGY CO., LIMITED**, Kowloon (HK)

(**) Term: **15 Years**

(21) Appl. No.: **29/590,772**

(22) Filed: **Jan. 13, 2017**

(51) **LOC (11) Cl.** **14-01**

(52) **U.S. Cl.**
USPC **D14/205**

(58) **Field of Classification Search**
USPC D14/205, 223; D24/174; 128/864, 865;
181/128-130, 135; 379/430, 431;
381/380, 381, 74, 370, 384; 455/90.3,
455/575.1, 569.1
CPC H04R 25/00; H04R 1/10; H04R 1/1066;
H04R 1/1016; H04R 5/033; H04R
5/0335; H04R 1/1033; H04R 1/105;
H04R 5/02
See application file for complete search history.

(56) **References Cited**

U.S. PATENT DOCUMENTS

2,481,946 A * 9/1949 Pendleton G02C 3/003
2/450
2,891,116 A * 6/1959 Nichols H04R 25/60
381/323
D318,669 S * 7/1991 Nakayama D14/205
D331,057 S * 11/1992 Isonaga D14/205
D337,587 S * 7/1993 Nakayama D14/205
D350,354 S * 9/1994 Nakamura D14/205
D351,597 S * 10/1994 Nakamura D14/205
D394,436 S * 5/1998 Hall D14/206
5,829,062 A * 11/1998 Magidson A61F 11/12
128/867

6,010,216 A * 1/2000 Jesiek H04B 1/385
351/158
6,105,714 A * 8/2000 Lindgren A61F 11/08
181/126
6,233,345 B1 * 5/2001 Urwyler H04R 1/1033
351/123
D449,290 S * 10/2001 Taylor D14/206
D458,245 S * 6/2002 Masuda D14/192
6,603,863 B1 * 8/2003 Nagayoshi H04R 1/1066
381/370
D502,463 S * 3/2005 Bhakta D14/205
D533,539 S * 12/2006 Mah D14/205
D550,202 S * 9/2007 Meier D14/206
D560,206 S * 1/2008 Hermansen D14/206
D575,268 S * 8/2008 Christopher D14/205
D579,442 S * 10/2008 Kim D14/205
D583,800 S * 12/2008 Jaakkola D14/205
D587,678 S * 3/2009 Yuyama D14/205
D587,680 S * 3/2009 Komiyama D14/205
D593,067 S * 5/2009 Millora D14/205
D593,538 S * 6/2009 Chon D14/205
D594,442 S * 6/2009 Chon D14/205
D596,617 S * 7/2009 Devlas D14/205

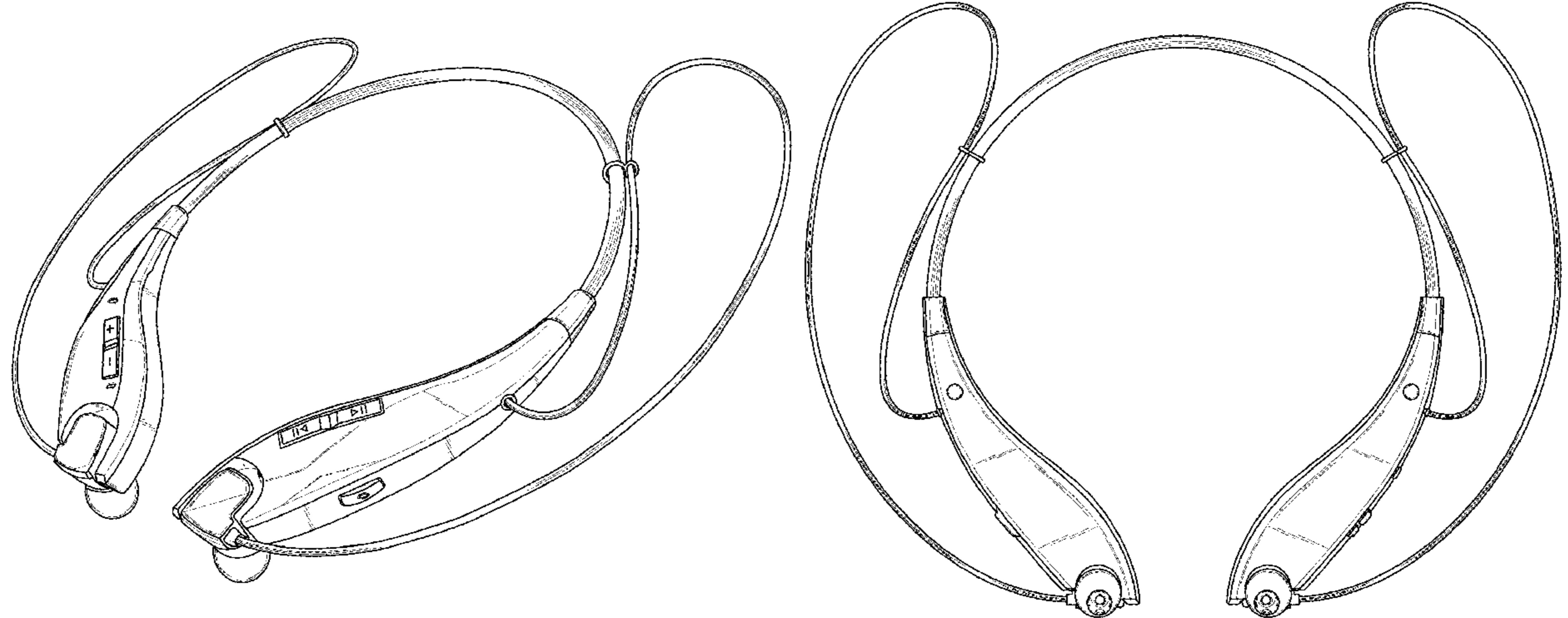
(Continued)

Primary Examiner — Paula Allen Greene
(74) Attorney, Agent, or Firm — Raj Abhyanker, P.C.

(57) **CLAIM**
The ornamental design for a wireless headset, as shown and described.

DESCRIPTION
FIG. 1 is a front-right top perspective view for a wireless headset, showing my new design;
FIG. 2 is a front elevational view of FIG. 1 thereof;
FIG. 3 is a rear elevational view of FIG. 1 thereof;
FIG. 4 is a left side elevational view of FIG. 1 thereof;
FIG. 5 is a right side elevational view of FIG. 1 thereof;
FIG. 6 is a top plan view of FIG. 1 thereof; and,
FIG. 7 is a bottom plan view of FIG. 1 thereof.

1 Claim, 7 Drawing Sheets



(56)

References Cited

U.S. PATENT DOCUMENTS

D604,269 S *	11/2009	Choe	D14/205	D740,785 S *	10/2015	Chen	D14/205
D605,168 S *	12/2009	Jaakkola	D14/205	D743,933 S *	11/2015	Park	D14/205
D617,308 S *	6/2010	Nousiainen	D14/205	D752,026 S *	3/2016	Yang	D14/223
7,920,902 B2 *	4/2011	Carroll	H04M 1/6066 381/74	D756,958 S *	5/2016	Lee	D14/205
8,009,853 B2 *	8/2011	Ito	H04R 5/0335 381/370	D756,959 S *	5/2016	Lee	D14/205
D645,444 S *	9/2011	Quek	D14/205	D762,617 S *	8/2016	Park	D14/205
D653,234 S *	1/2012	Lee	D14/205	D763,227 S *	8/2016	Lee	D14/205
8,094,858 B2 *	1/2012	Thiel	G02C 3/003 381/327	D763,822 S *	8/2016	Lee	D14/205
D663,714 S *	7/2012	Kang	D14/205	D766,869 S *	9/2016	Lee	D14/205
D669,881 S *	10/2012	Clements	D14/205	D768,600 S *	10/2016	Chen	D14/205
8,290,193 B2 *	10/2012	Pang	H04R 1/1033 381/370	D771,011 S *	11/2016	Ott	D14/205
8,363,875 B2 *	1/2013	Ito	H04R 1/1066 381/379	D771,013 S *	11/2016	Yang	D14/205
D678,857 S *	3/2013	Feng	D14/205	D771,588 S *	11/2016	Choe	D14/205
D678,858 S *	3/2013	Feng	D14/205	D772,196 S *	11/2016	Choi	D14/205
8,411,893 B2 *	4/2013	Ito	H04R 1/1066 181/135	D772,843 S *	11/2016	Lee	D14/205
8,433,082 B2 *	4/2013	Abolfathi	H04R 1/46 381/151	D772,845 S *	11/2016	Lim	D14/205
D686,189 S *	7/2013	Lu	D14/205	D774,017 S *	12/2016	Ahn	D14/205
D695,264 S *	12/2013	Chee	D14/205	D776,636 S *	1/2017	Lim	D14/205
D703,634 S *	4/2014	Han	H04R 1/1016 D14/205	D776,642 S *	1/2017	Otani	D14/223
D706,745 S *	6/2014	Nakagawa	H04R 1/1066 D14/205	D777,136 S *	1/2017	Erbeus	D14/205
D707,199 S *	6/2014	Cepress	H04R 1/10 D14/205	D781,815 S *	3/2017	Choi	D14/205
8,761,430 B2 *	6/2014	Zimmerman	A44C 15/0015 381/374	D781,816 S *	3/2017	Choe	D14/205
D712,371 S *	9/2014	Henning	D14/205	D781,817 S *	3/2017	Lee	D14/205
8,873,250 B2 *	10/2014	Kroupa	B65H 75/4434 242/400	D782,998 S *	4/2017	Shin	D14/205
D716,759 S *	11/2014	Ha	D14/205	D800,090 S *	10/2017	Ahn	D14/205
D717,765 S *	11/2014	Rausch	D14/205	D802,557 S *	11/2017	Kumano	D14/205
D718,272 S *	11/2014	Clayton	D14/205	D802,558 S *	11/2017	Kim	D14/205
8,908,899 B1 *	12/2014	Yang	H04R 1/1033 381/370	2006/0088171 A1 *	4/2006	Yeh	H04R 5/0335 381/74
D721,673 S *	1/2015	Park	D14/205	2007/0003095 A1 *	1/2007	Slamka	H04R 1/086 381/381
D723,510 S *	3/2015	Ishikura	D14/205	2009/0274333 A1 *	11/2009	Lan	H04R 1/406 381/365
D730,867 S *	6/2015	Park	D14/205	2010/0172522 A1 *	7/2010	Mooring	H04R 1/1041 381/311
D731,999 S *	6/2015	Cepress	D14/205	2010/0283962 A1 *	11/2010	Williams	G02C 3/003 351/157
D736,740 S *	8/2015	Hwang	D14/205	2011/0170702 A1 *	7/2011	Bays	H04R 5/0335 381/74
				2012/0314351 A1 *	12/2012	Kroupa	B65H 75/4434 361/679.01
				2013/0329903 A1 *	12/2013	Ting	H04R 1/105 381/74
				2014/0185837 A1 *	7/2014	Kunimoto	H04R 1/1075 381/151
				2017/0070801 A1 *	3/2017	Nguyen	H04R 1/105
				2017/0195767 A1 *	7/2017	Kim	H04R 1/1016
				2017/0195768 A1 *	7/2017	Kim	H04R 1/1016
				2017/0311072 A1 *	10/2017	Seo	H04R 1/1041

* cited by examiner

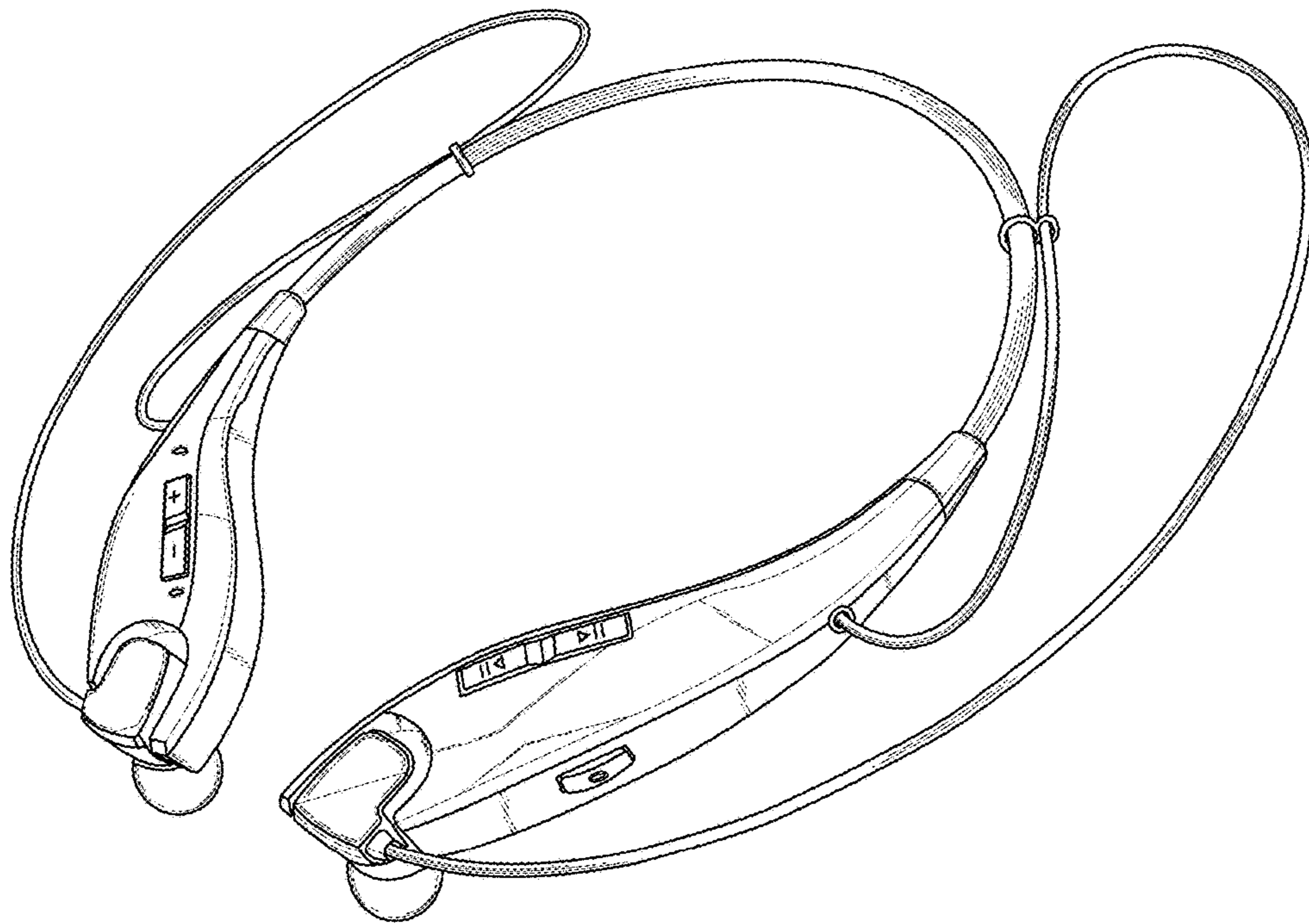


FIG. 1

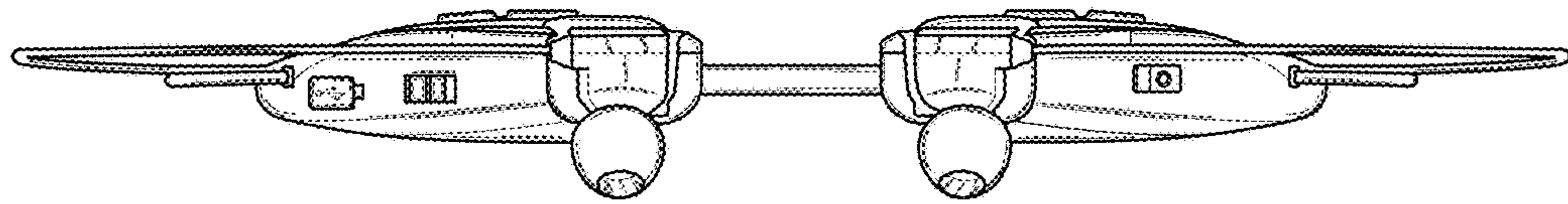


FIG. 2

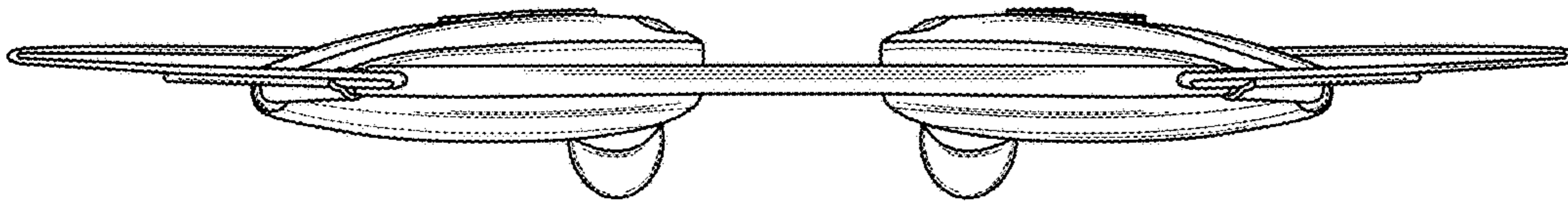


FIG. 3

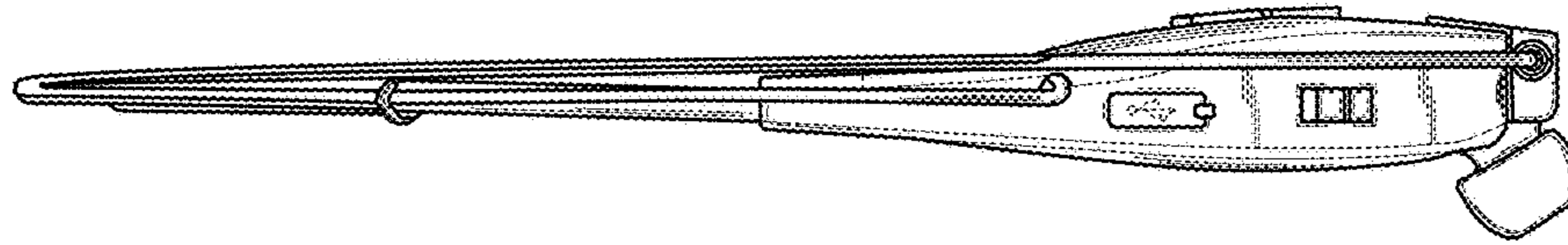


FIG. 4

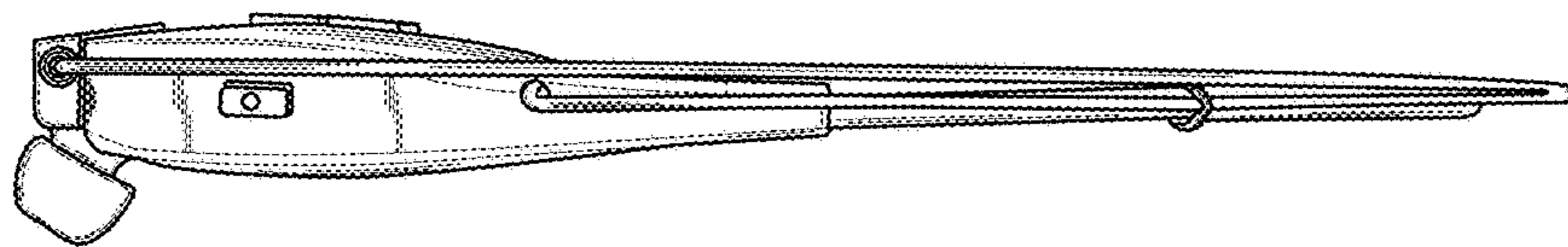


FIG. 5

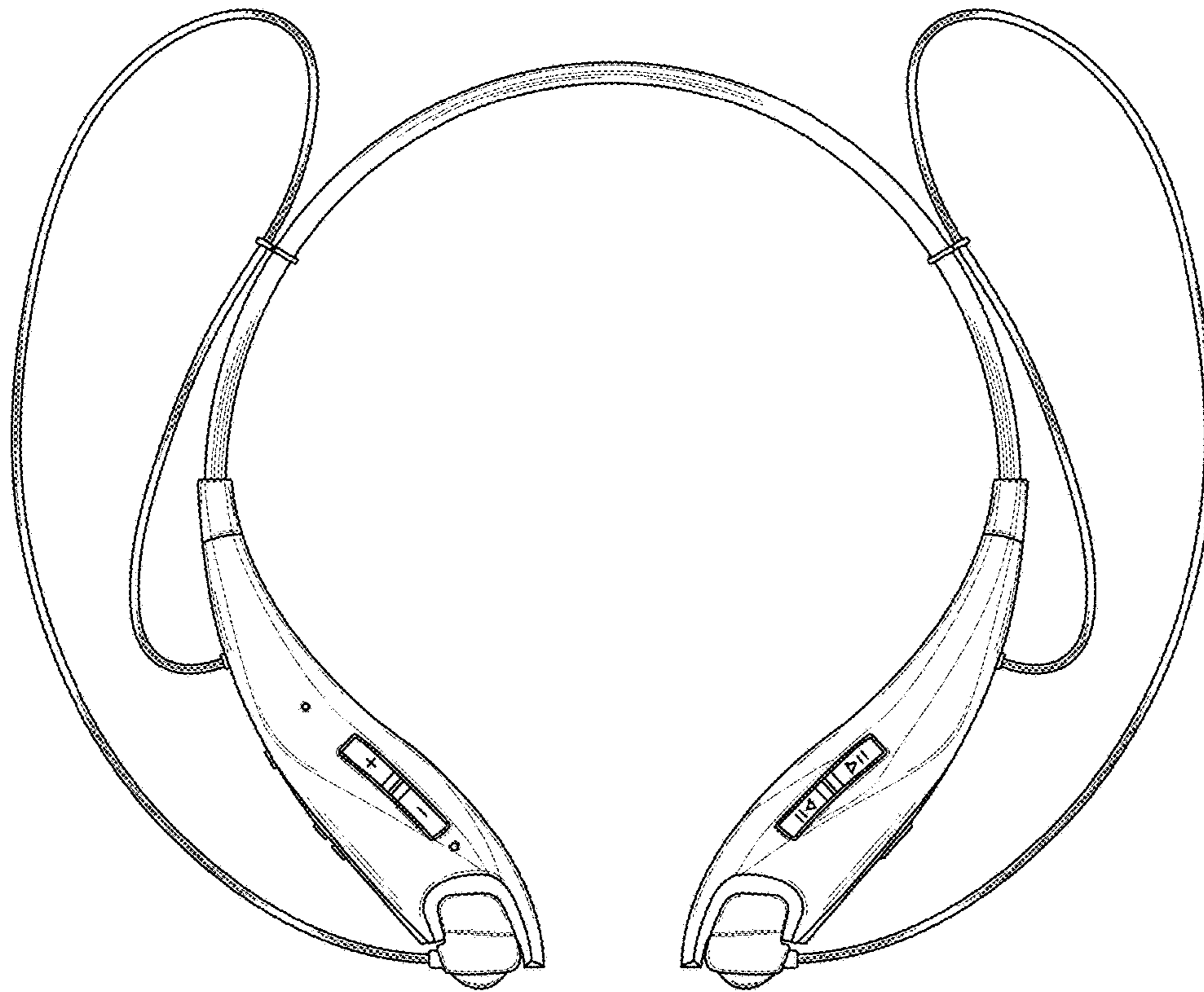


FIG. 6

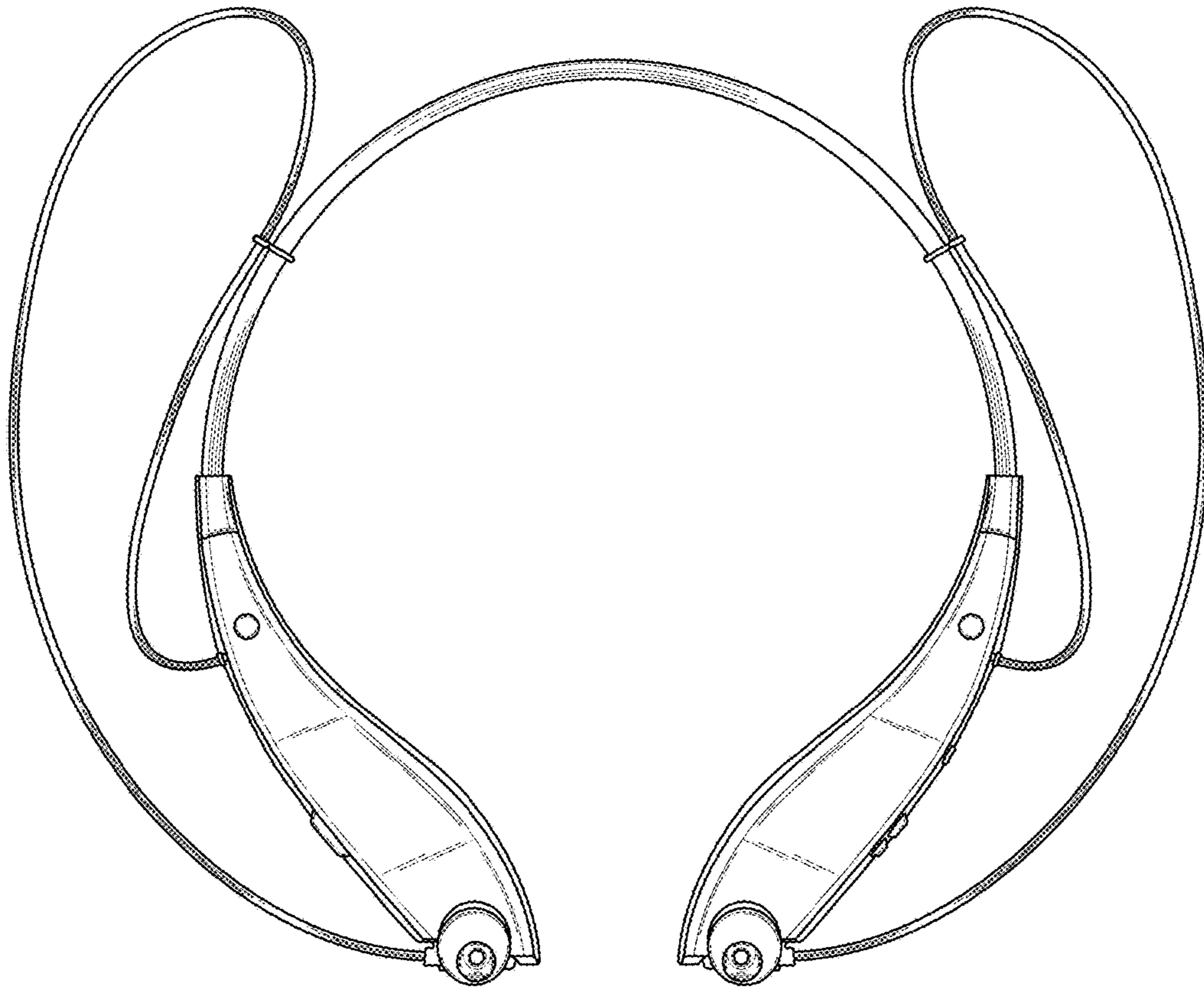


FIG. 7