



US00D815615S

(12) **United States Design Patent** (10) **Patent No.:** **US D815,615 S**
Wernblad (45) **Date of Patent:** **** Apr. 17, 2018**

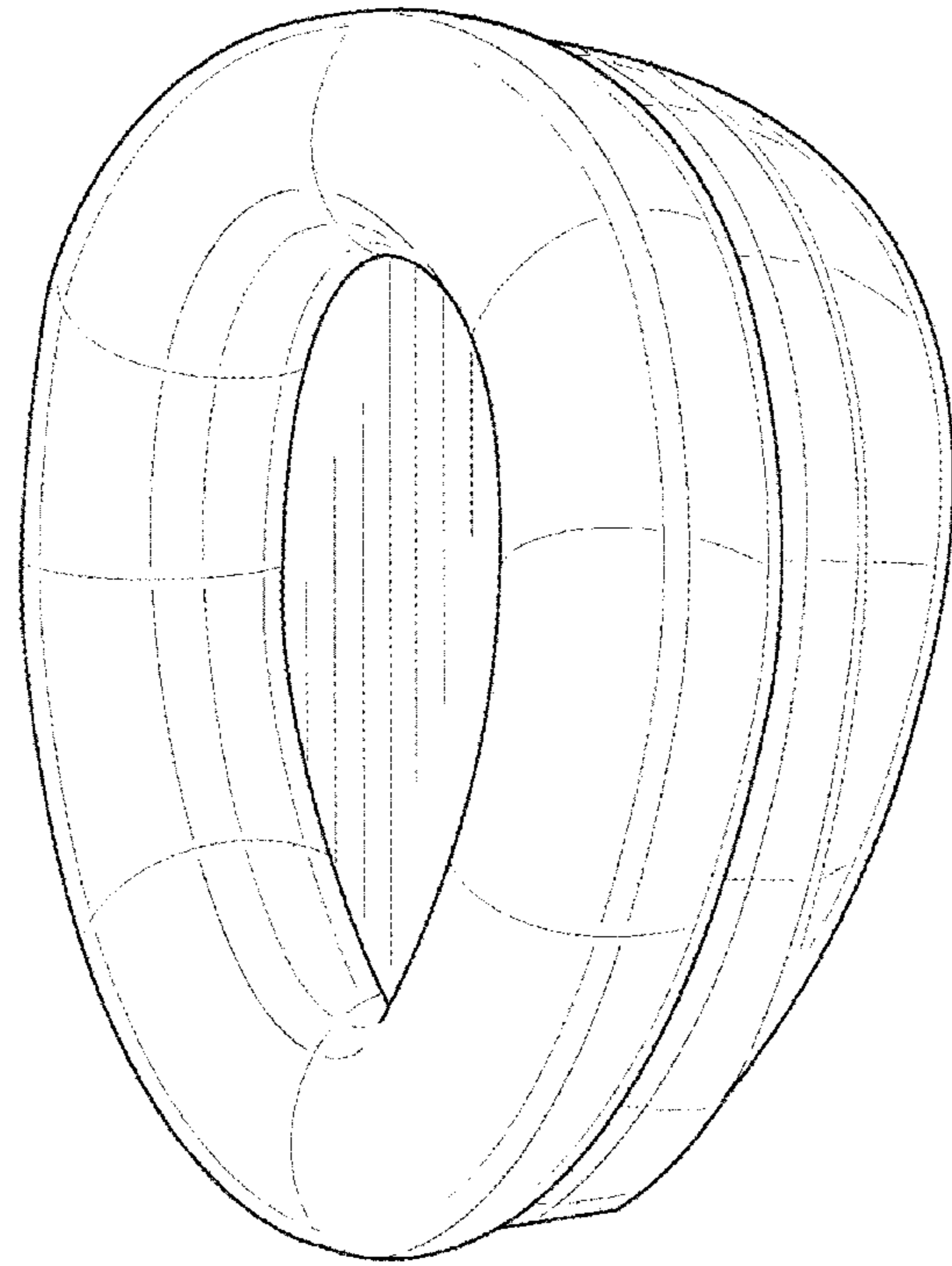
(54) **EARSHAPED EAR PAD**
(71) Applicant: **Sennheiser Communications A/S**,
Ballerup (DK)
(72) Inventor: **Sivert Wernblad**, Ballerup (DK)
(73) Assignee: **SENNHEISER COMMUNICATIONS**
A/S, Ballerup (DK)
(**) Term: **15 Years**
(21) Appl. No.: **29/589,030**
(22) Filed: **Dec. 27, 2016**
(30) **Foreign Application Priority Data**
Jun. 28, 2016 (EM) 003253616-0001
Jun. 28, 2016 (EM) 003253616-0002
(51) **LOC (11) Cl.** **14-01**
(52) **U.S. Cl.**
USPC **D14/205**
(58) **Field of Classification Search**
USPC D14/205; D29/112; 2/209; 181/129,
181/130, 135; 379/430, 431; 381/380,
381/381; 455/575.1
CPC H04R 5/0335; H04R 1/105; H04R 1/10;
H04R 25/00; H04R 1/1016; H04R
1/1066; H05R 5/033
See application file for complete search history.

(56) **References Cited**
U.S. PATENT DOCUMENTS
D707,653 S * 6/2014 Hardi H04R 1/10
D14/205
D733,092 S * 6/2015 Gan D14/205
D735,691 S * 8/2015 Sparks D14/205
D747,290 S * 1/2016 Lee D14/205
D755,753 S * 5/2016 Nakagawa D14/205
D757,680 S * 5/2016 Kelly D14/205
* cited by examiner
Primary Examiner — Randall H Gholson
(74) *Attorney, Agent, or Firm* — Birch, Stewart, Kolasch
& Birch, LLP

(57) **CLAIM**
The ornamental design for an earshaped ear pad, as shown
and described.

DESCRIPTION
FIG. 1 is a right side perspective view of the earshaped ear
pad;
FIG. 2 is a left side perspective view of the earshaped ear
pad;
FIG. 3 is a front view of the earshaped ear pad;
FIG. 4 is a rear view of the earshaped ear pad;
FIG. 5 is a bottom side view of the earshaped ear pad;
FIG. 6 is a top side view of the earshaped ear pad;
FIG. 7 is a right side of the earshaped ear pad; and,
FIG. 8 is a left side of the earshaped ear pad.

1 Claim, 8 Drawing Sheets



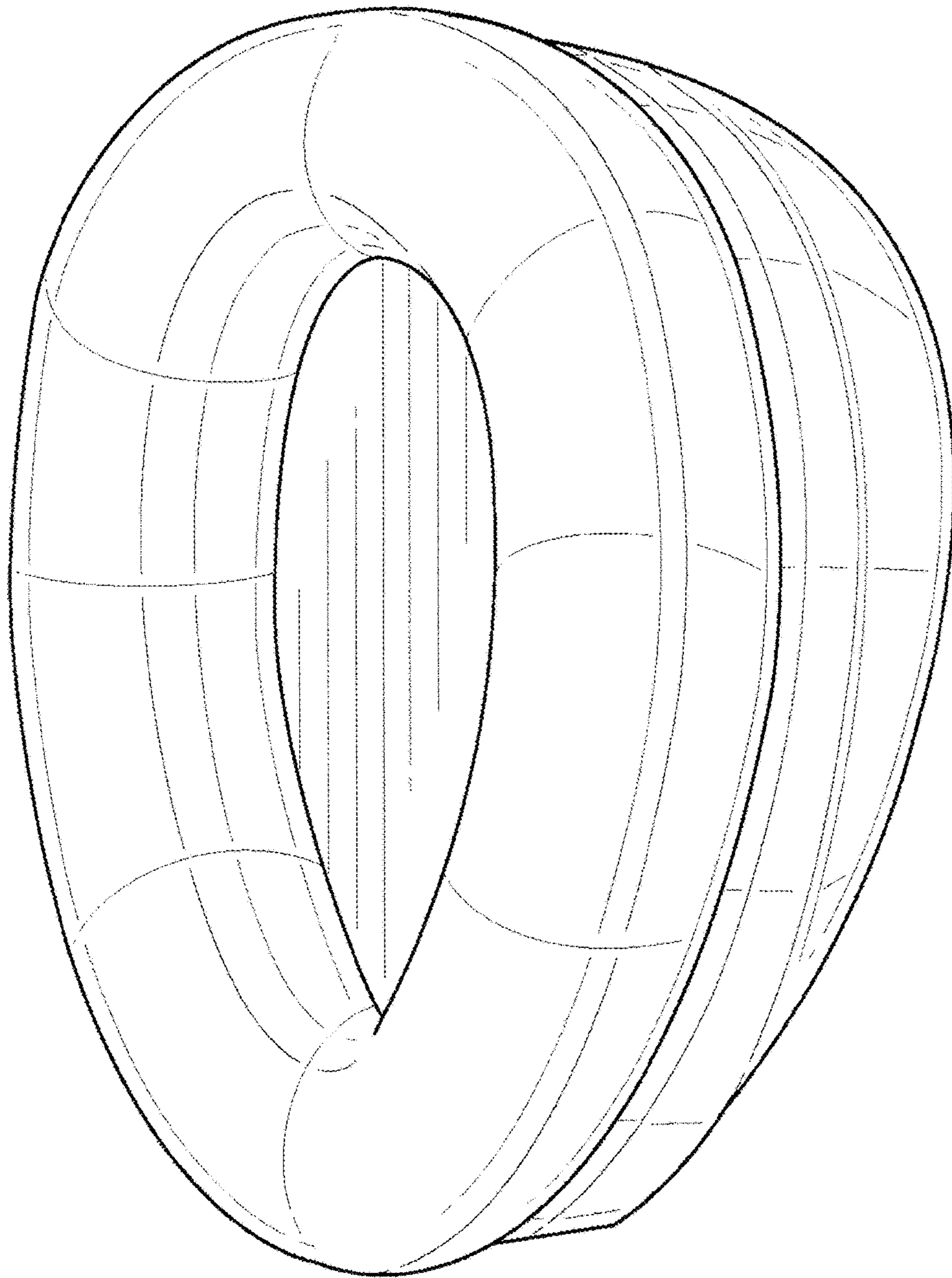


FIG. 1

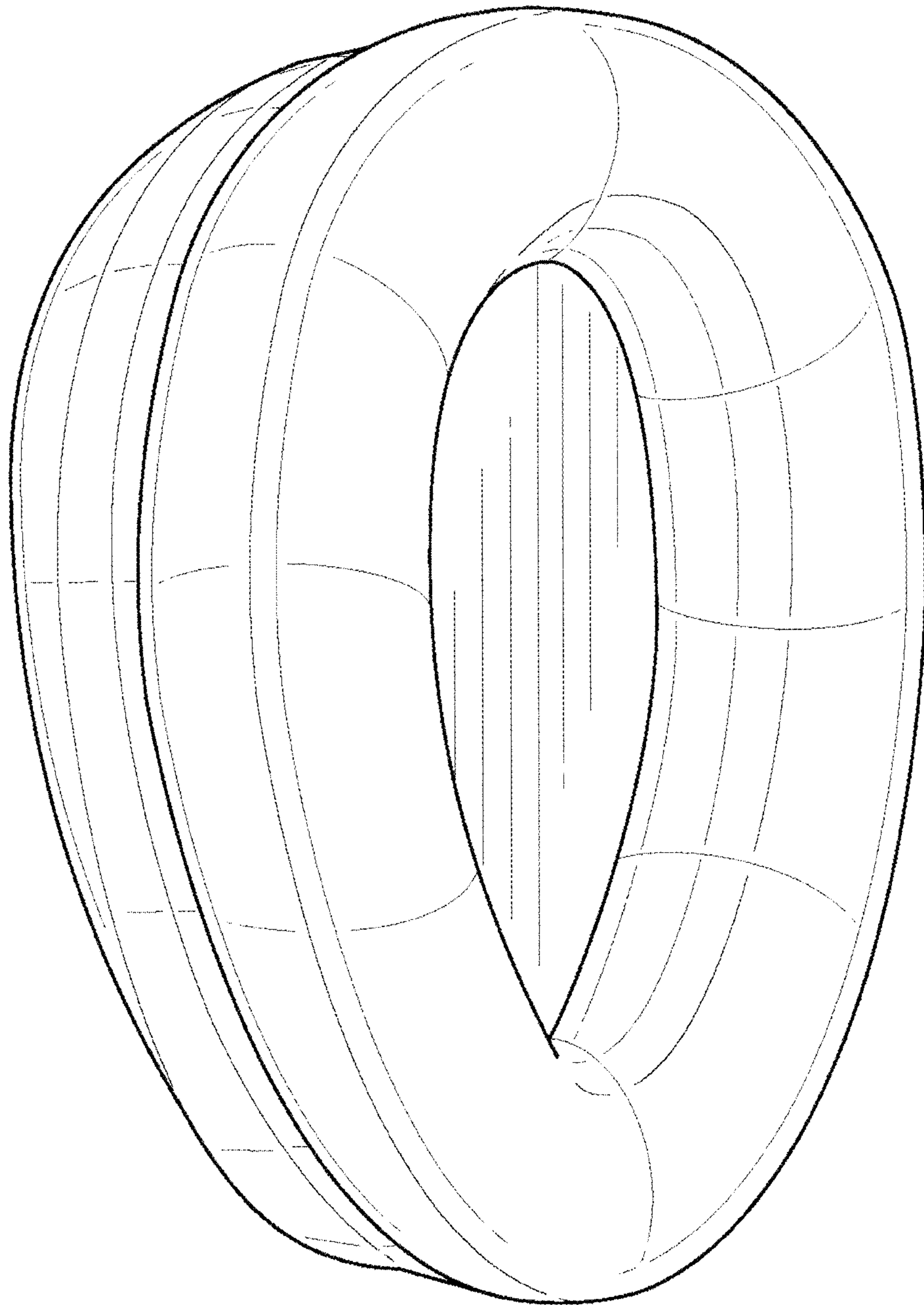


FIG. 2

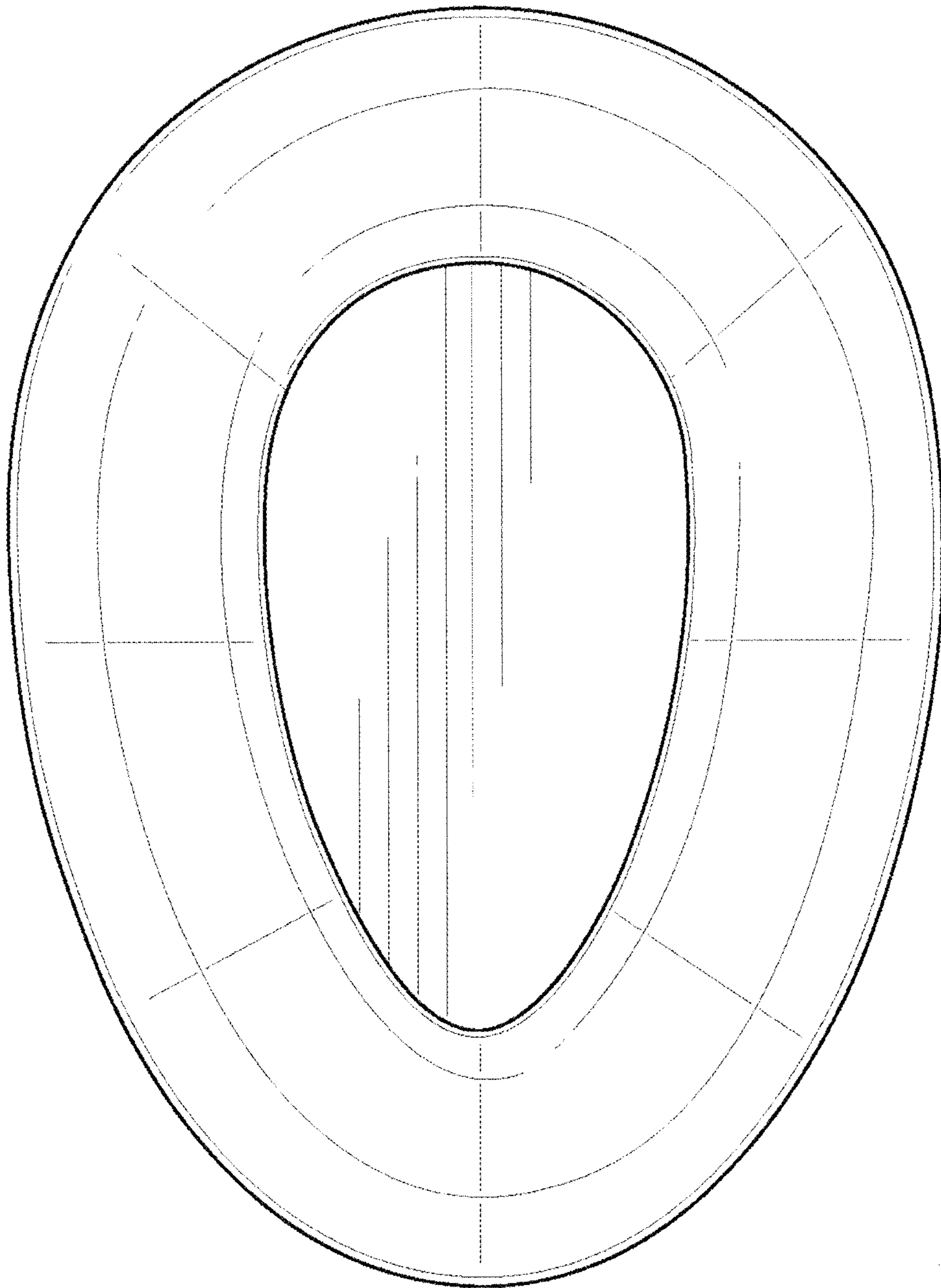


FIG. 3

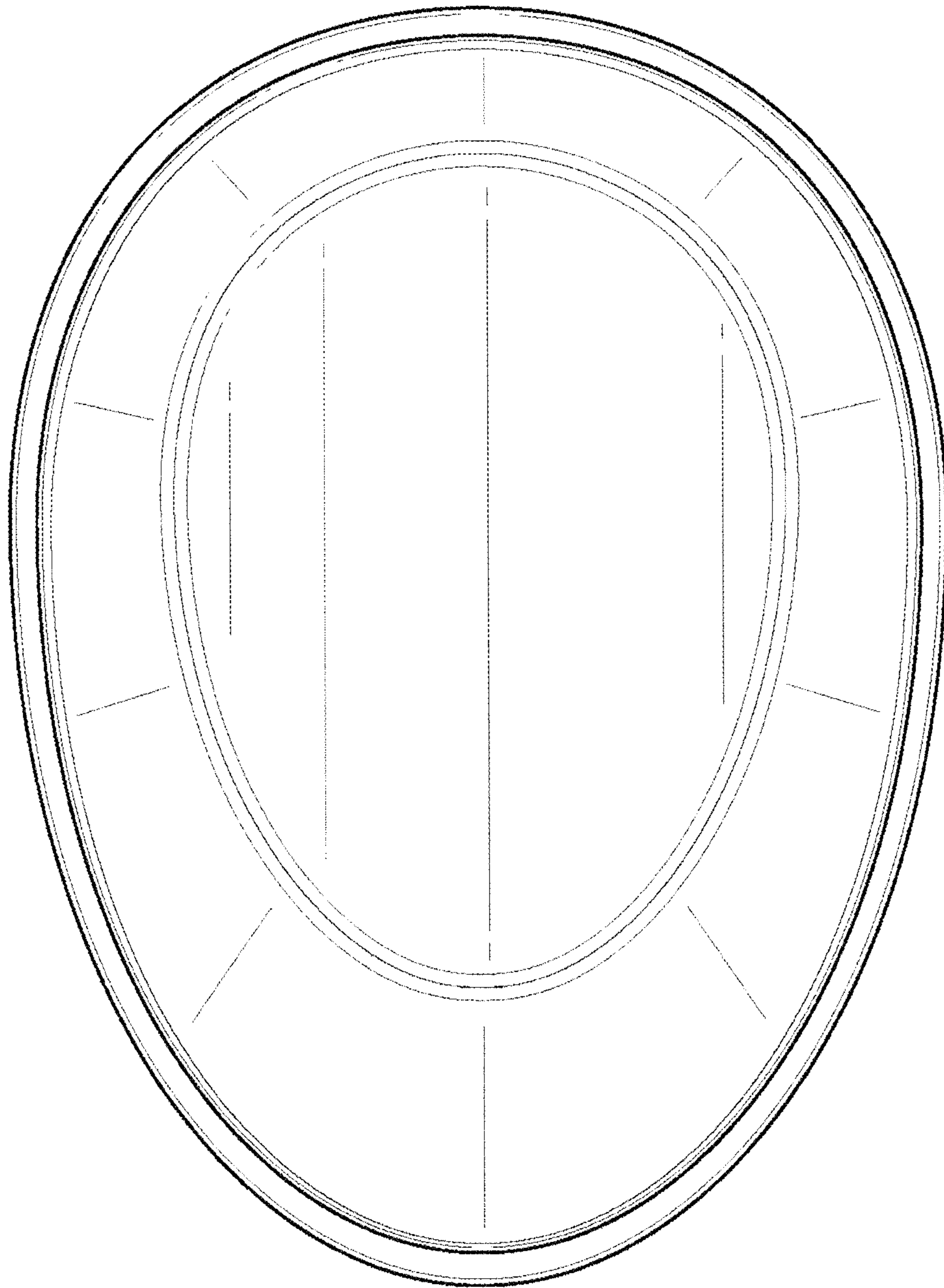


FIG. 4

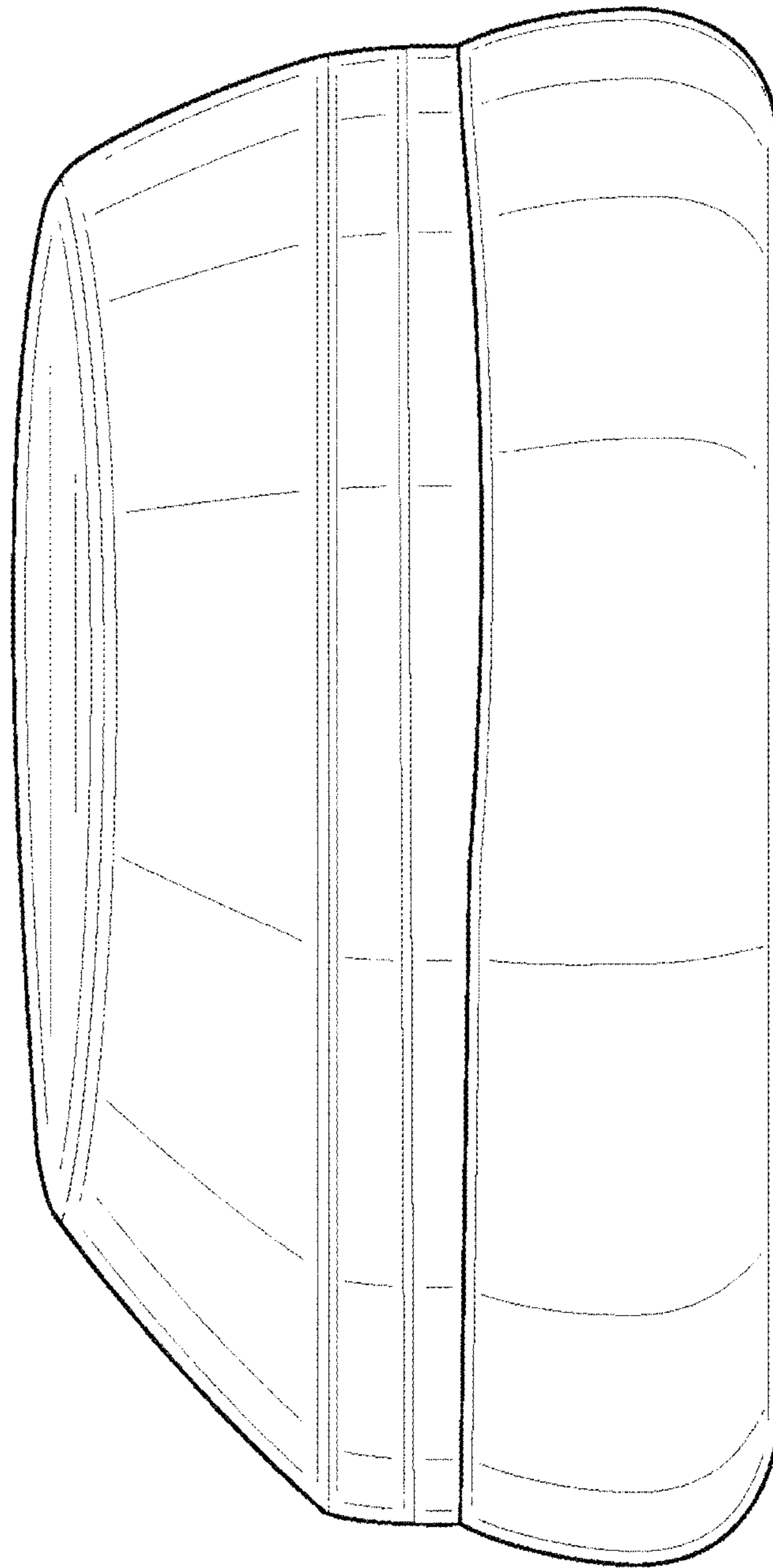


FIG. 5

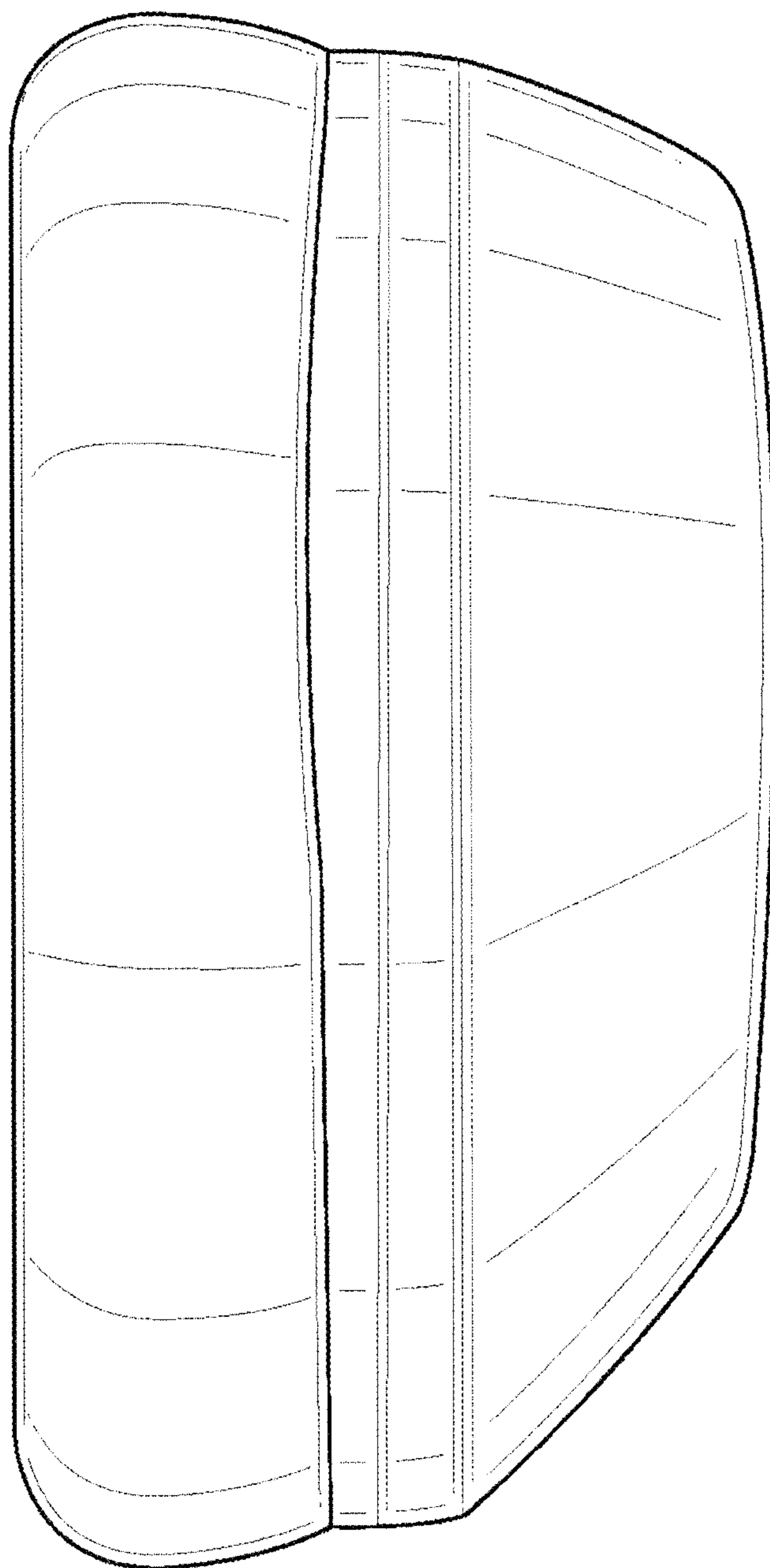


FIG. 6

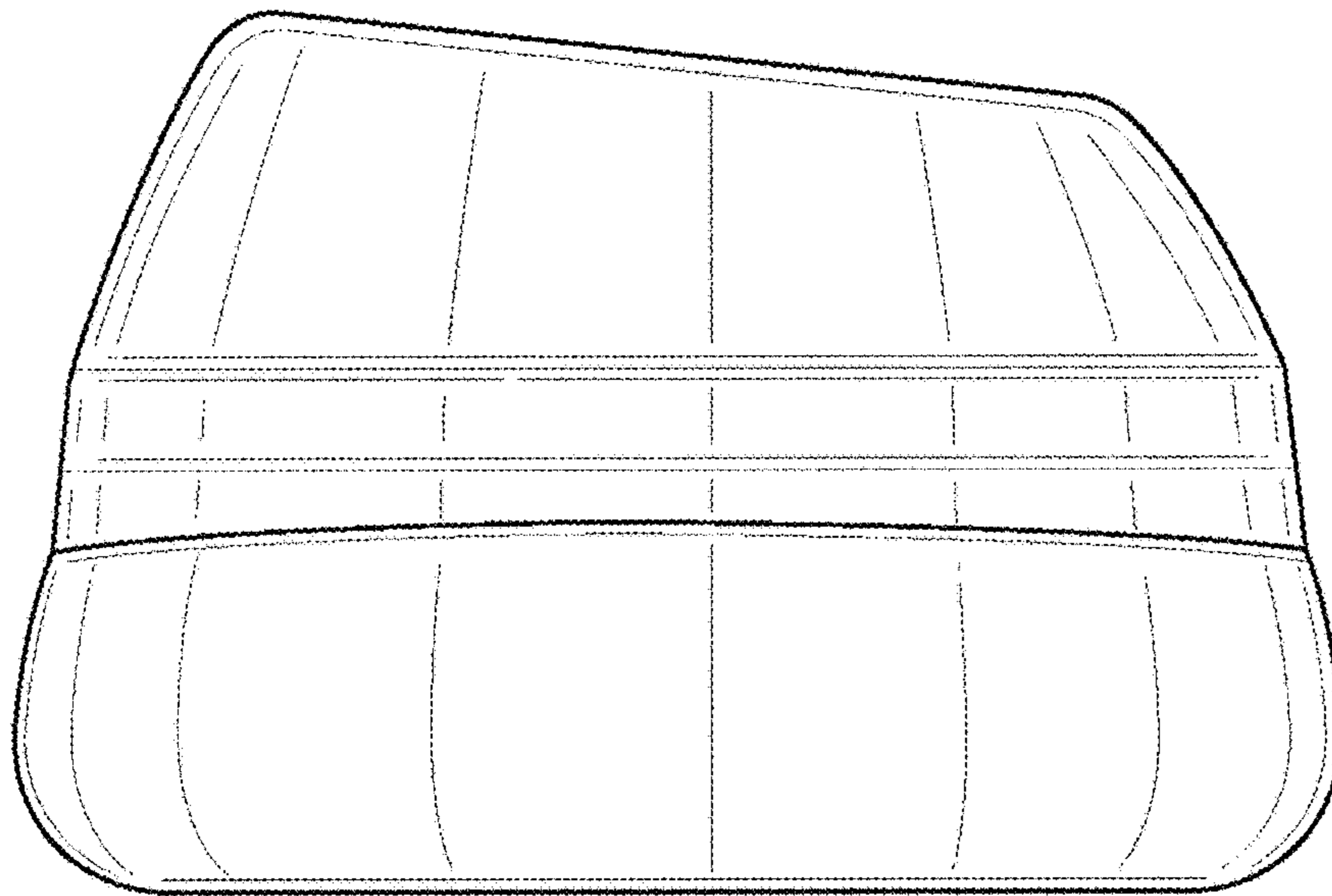


FIG. 7

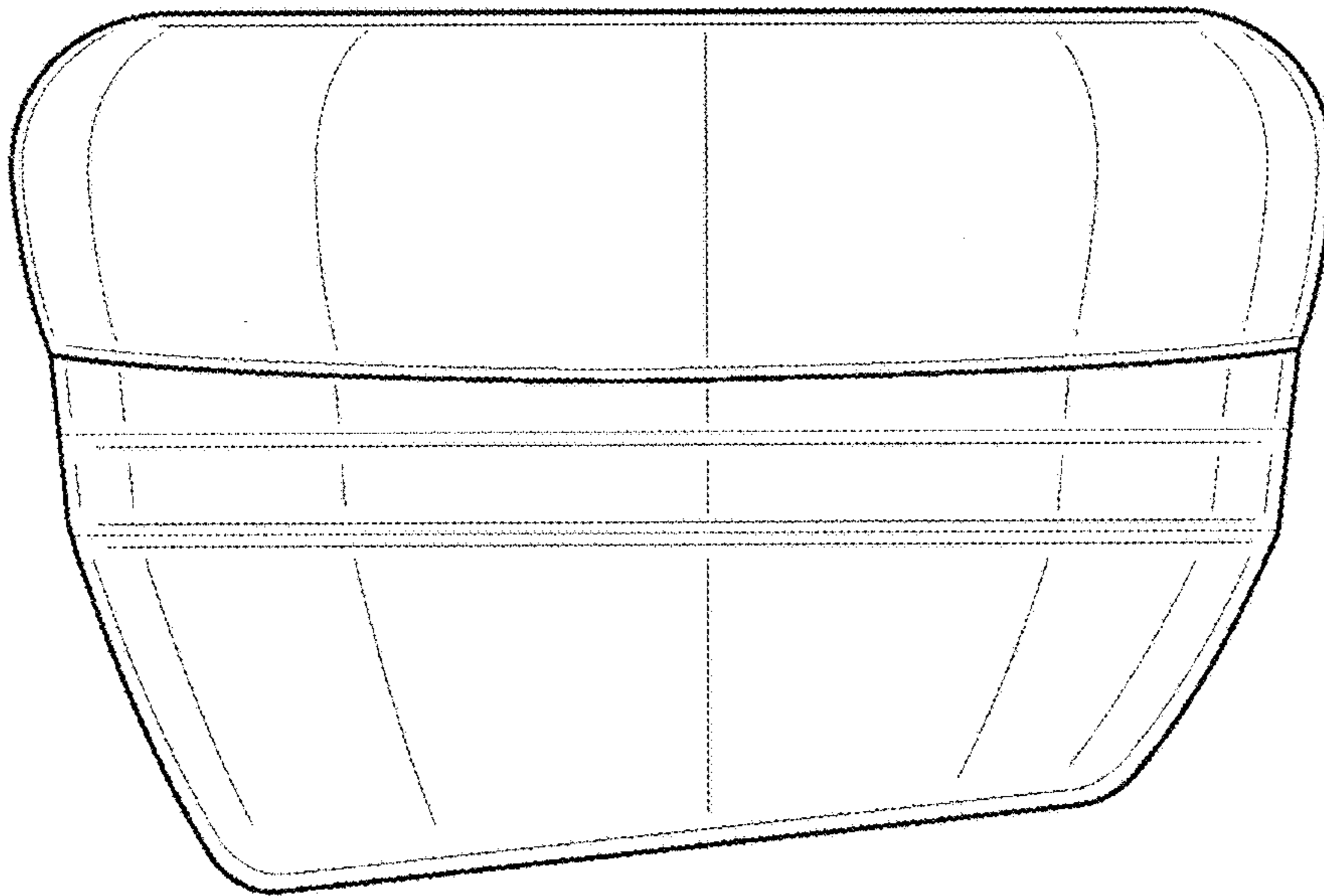


FIG. 8