



US00D815614S

(12) **United States Design Patent**  
**Tzeng et al.**

(10) **Patent No.:** **US D815,614 S**  
(45) **Date of Patent:** **\*\* Apr. 17, 2018**

- (54) **HEADSET**
- (71) Applicant: **Kingston Digital, Inc.**, Fountain Valley, CA (US)
- (72) Inventors: **Guan-Hua Tzeng**, Hsinchu (TW); **Darren Liang**, Hsinchu (TW); **Penhao Ma**, Hsinchu (TW); **Peter Leekuo Chou**, Fountain Valley, CA (US); **Baron K. Lee**, Fountain Valley, CA (US); **Yu-kuo Huang**, Hsinchu (TW)
- (73) Assignee: **KINGSTON DIGITAL, INC.**, Fountain Valley, CA (US)
- (\*\*) Term: **15 Years**
- (21) Appl. No.: **29/558,173**
- (22) Filed: **Mar. 15, 2016**
- (51) **LOC (11) Cl.** ..... **14-01**
- (52) **U.S. Cl.**  
USPC ..... **D14/205**; D14/206; D14/223
- (58) **Field of Classification Search**  
USPC ..... D14/204, 205, 209, 223, 224, 225, 188, D14/192, 206, 240; D29/112; D24/174; 181/129, 130, 135; 379/370, 371, 430, 379/431, 446, 449, 454, 455; 381/380, 381/381  
CPC ..... H04R 1/10; H04R 1/1066; H04R 1/1016; H04R 1/105; H04R 25/00; H04R 5/033; H04R 5/0335; H04R 1/1091; H04R 1/1058; H04R 25/02  
See application file for complete search history.

- D538,261 S \* 3/2007 Taylor ..... D14/205
  - D541,255 S \* 4/2007 Taylor ..... D14/205
  - D544,650 S \* 6/2007 Westerdal ..... D29/112
  - 7,412,070 B2 \* 8/2008 Kleinschmidt ..... H04R 1/1083 381/370
  - D589,932 S \* 4/2009 Komiyama ..... D14/205
  - D591,263 S \* 4/2009 Shimizu ..... D14/205
  - D602,467 S \* 10/2009 Oguro ..... D14/205
  - D625,703 S \* 10/2010 Kolton ..... D14/205
  - D637,579 S \* 5/2011 Hamaura ..... D14/205
  - D641,725 S \* 7/2011 Chong ..... D14/205
- (Continued)

**OTHER PUBLICATIONS**

Amazing Kingston HyperX Cloud Stinger PC Gaming Headset Features, date posted Oct. 29, 2017, site visited Nov. 3, 2017, Copyright © 2017, Available from Internet, <<https://gadgetsay.com/kingston-hyperx-cloud-stinger-headset/>>.\*

(Continued)

*Primary Examiner* — Cathron C Brooks  
*Assistant Examiner* — Sharon S Oum  
(74) *Attorney, Agent, or Firm* — Skaar Ulbrich Macari, P.A.

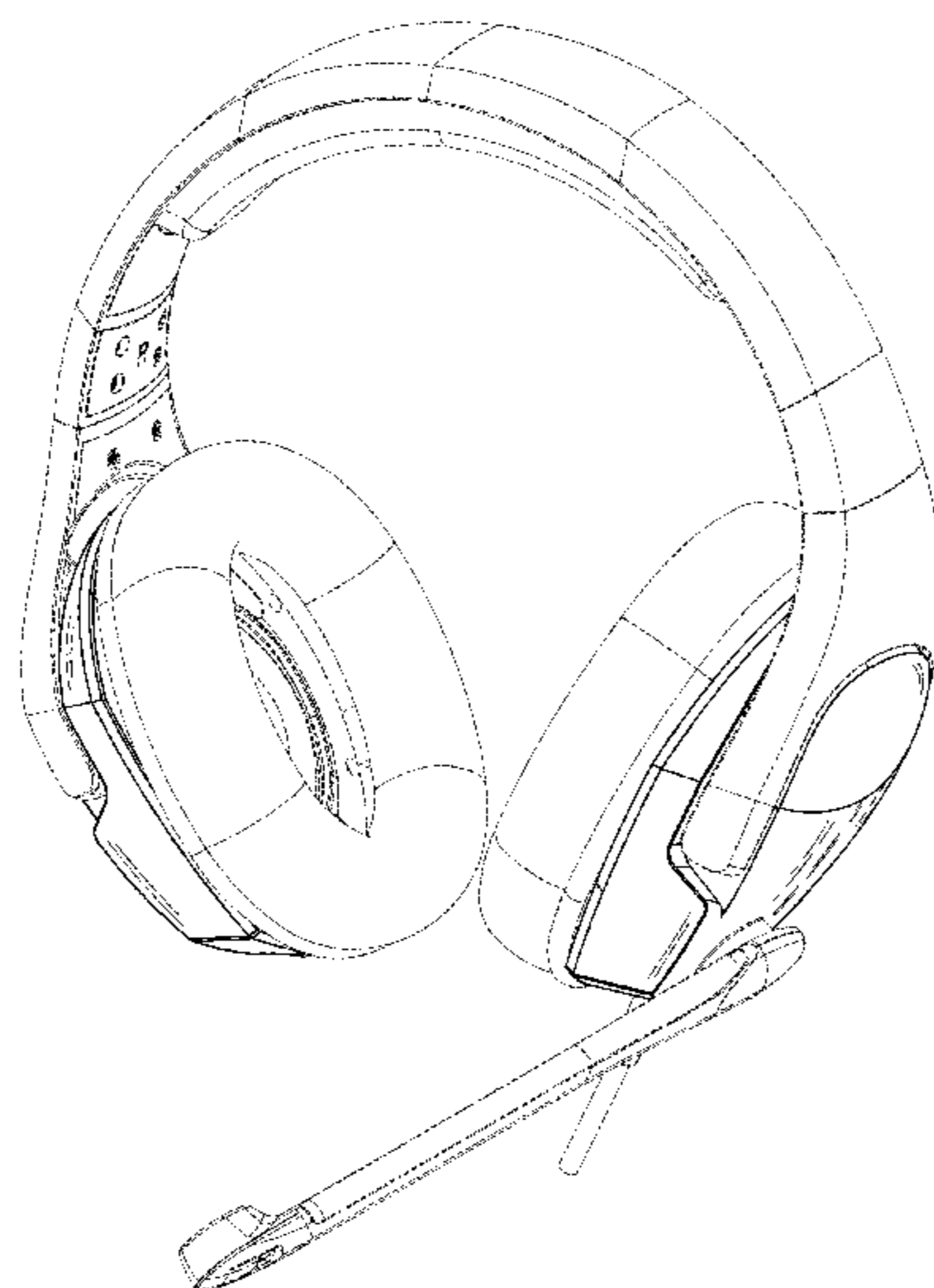
(57) **CLAIM**  
We claim the ornamental design for a headset, as shown and described.

**DESCRIPTION**

FIG. 1 is a perspective view of a headset showing the claimed design;  
FIG. 2 is a front elevational view of FIG. 1;  
FIG. 3 is a rear elevational view of FIG. 1;  
FIG. 4 is a left side elevational view of FIG. 1;  
FIG. 5 is a right side elevational view of FIG. 1;  
FIG. 6 is a top plan view of FIG. 1; and,  
FIG. 7 is a bottom plan view of FIG. 1.  
The broken lines in the drawings illustrate portions of the headset and form no part of the claimed design.

**1 Claim, 7 Drawing Sheets**

- (56) **References Cited**  
U.S. PATENT DOCUMENTS  
D326,855 S \* 6/1992 Bose ..... D14/205  
D375,584 S \* 11/1996 Westerdal ..... D29/112  
D505,415 S \* 5/2005 Han ..... D14/223  
D519,497 S \* 4/2006 Komiyama ..... D14/223





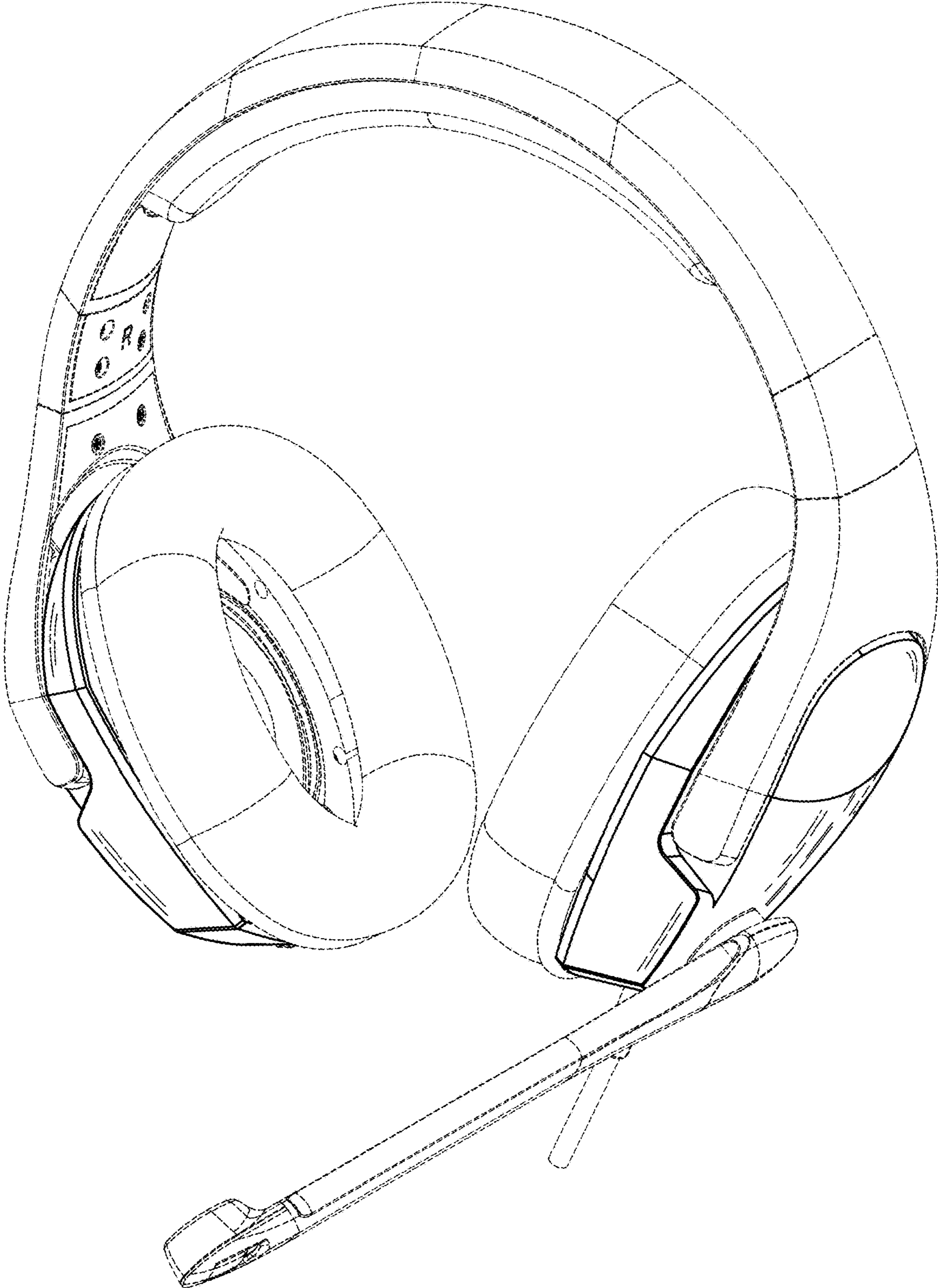


FIG.1

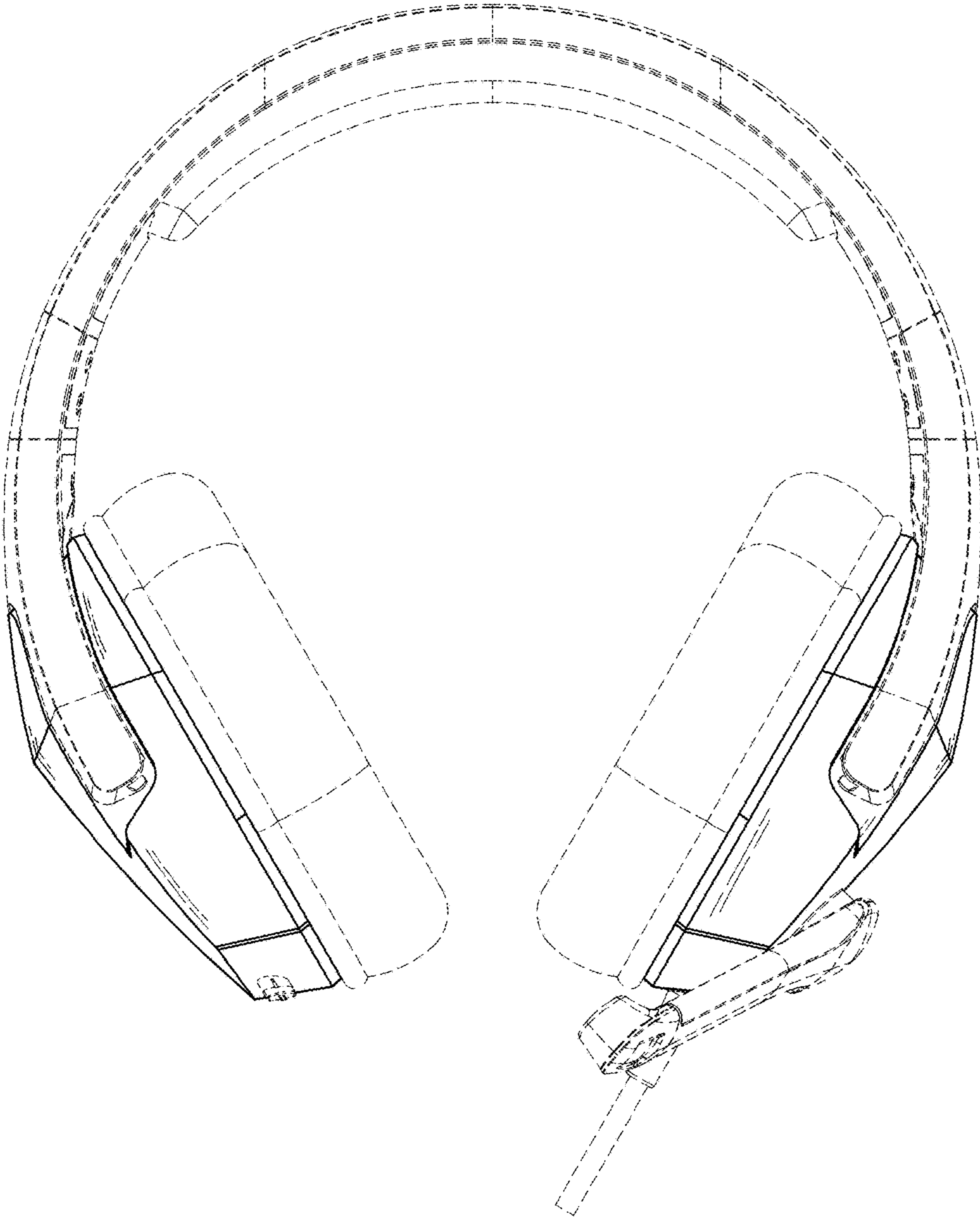


FIG.2

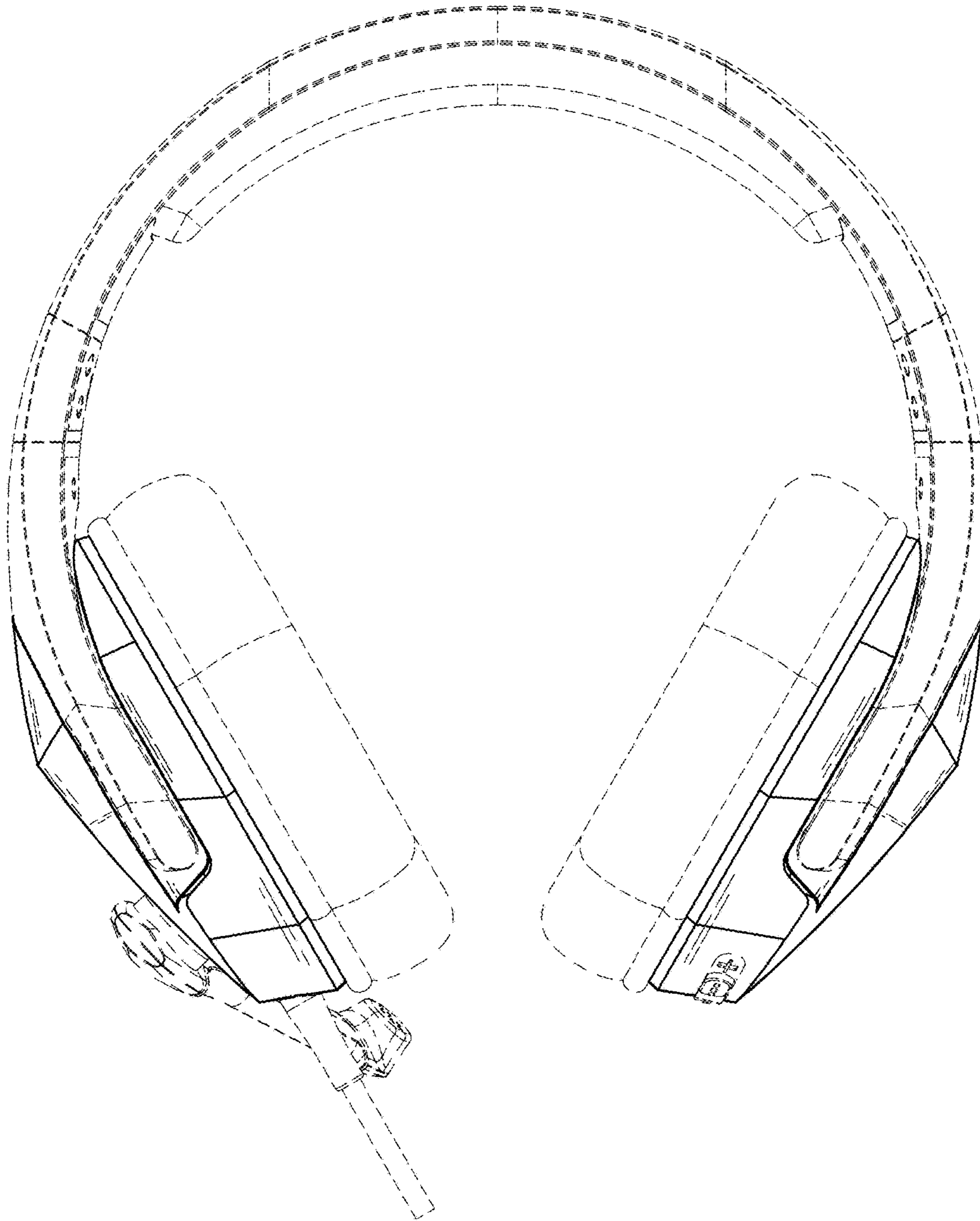


FIG.3

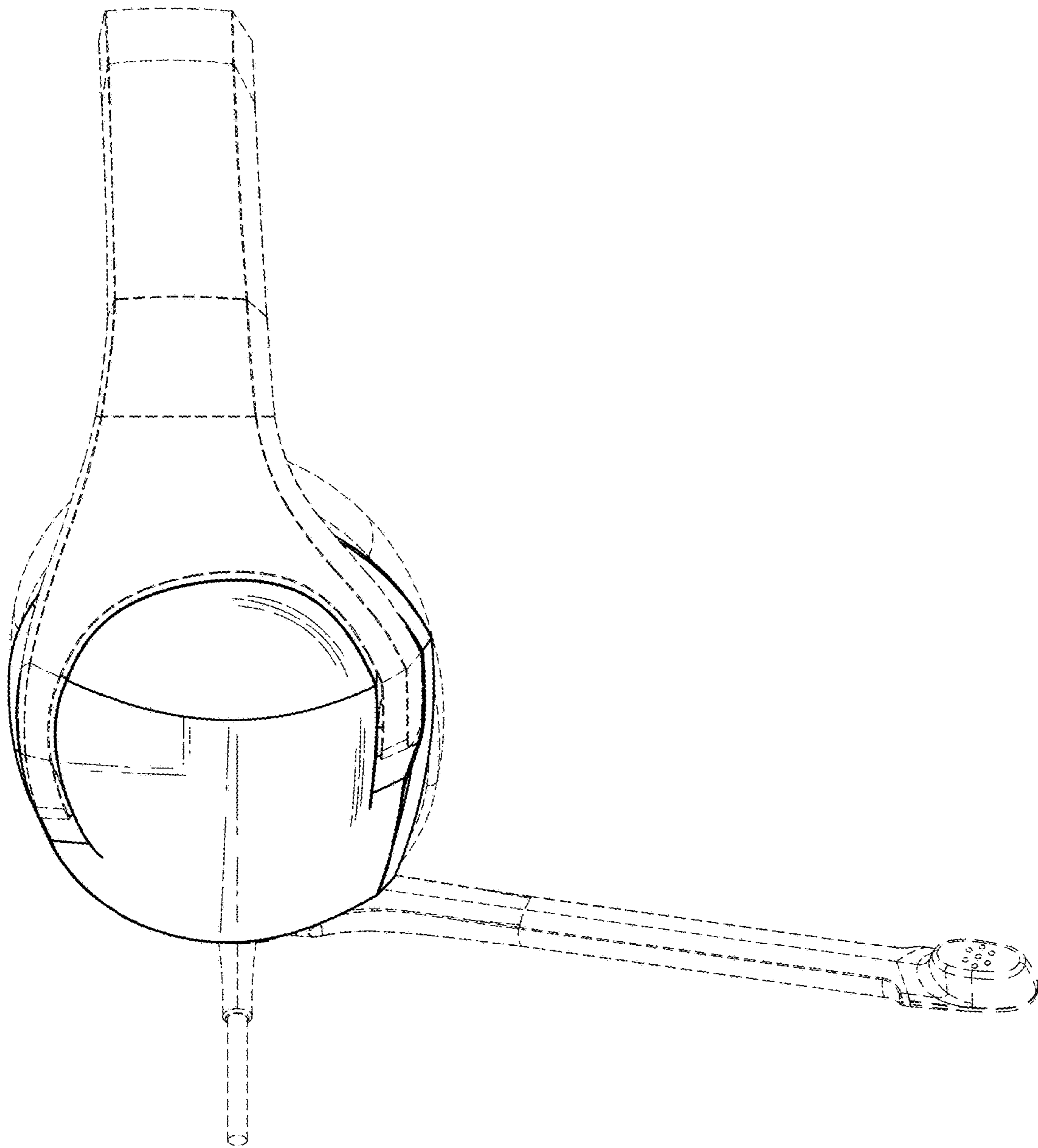


FIG.4

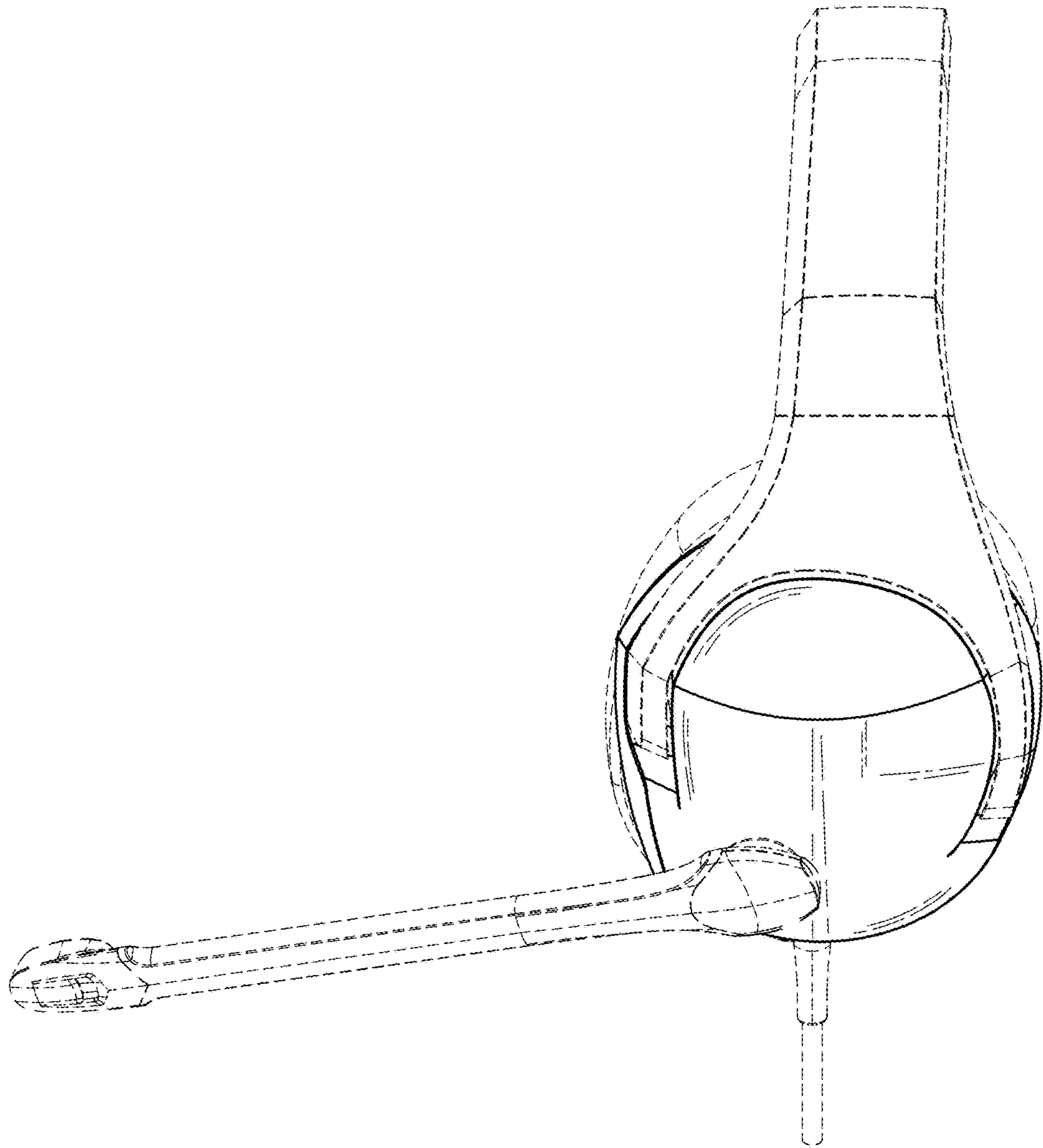


FIG.5

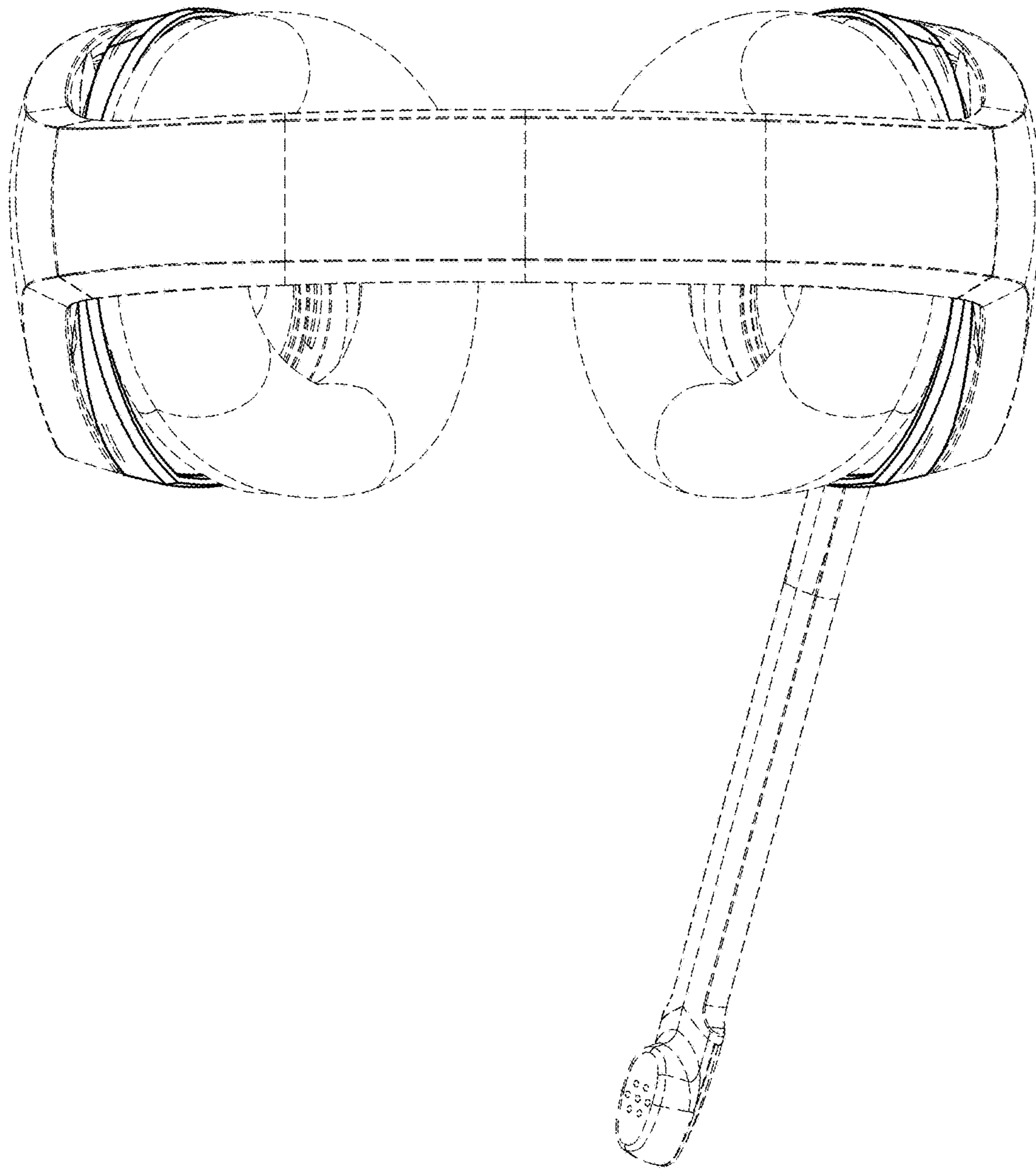


FIG. 6



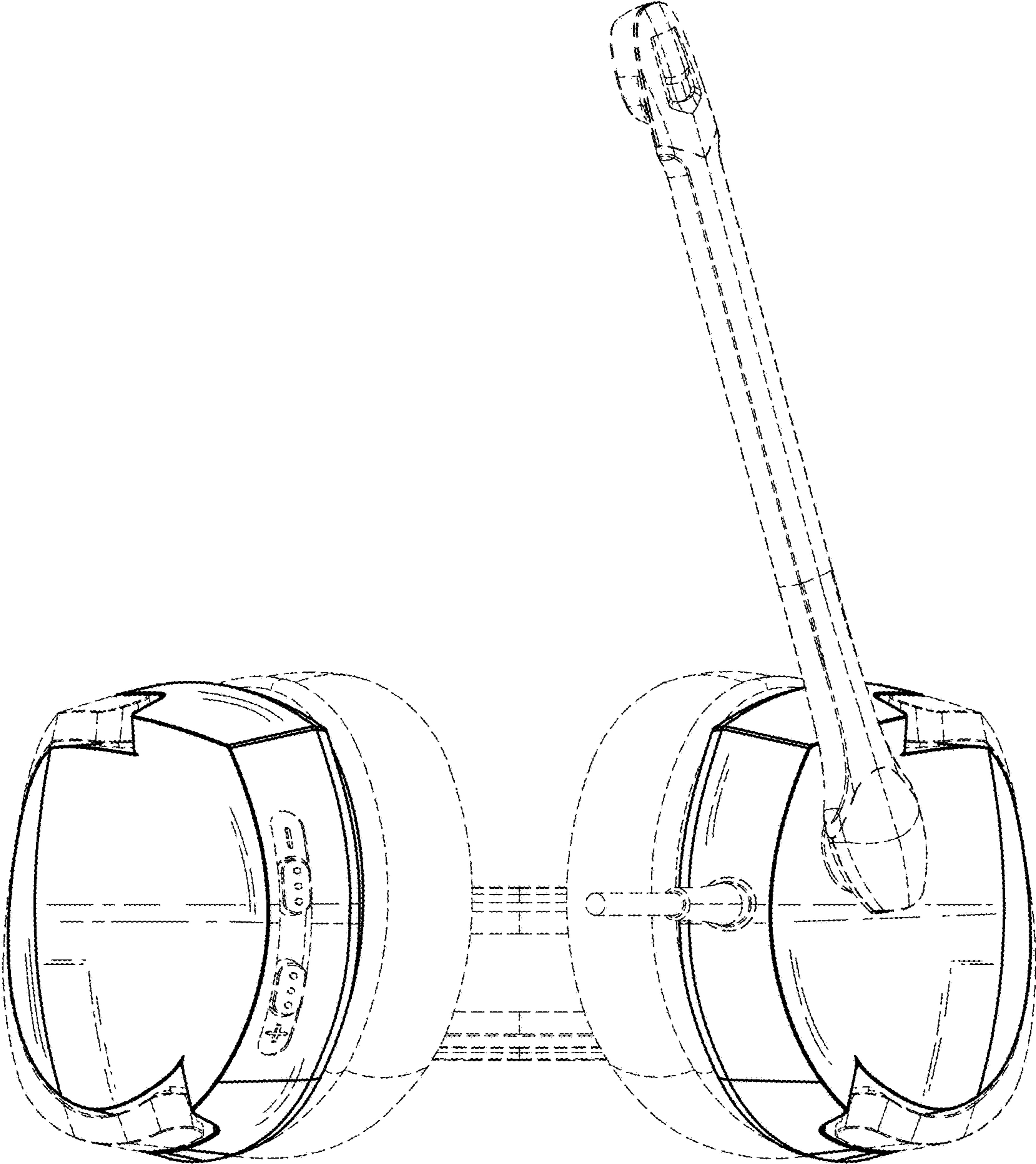


FIG.7