



US00D815611S

(12) **United States Design Patent**  
**Shin**

(10) **Patent No.:** **US D815,611 S**  
(45) **Date of Patent:** **\*\* Apr. 17, 2018**

(54) **MULTIMEDIA TERMINAL**

(71) Applicant: **LG ELECTRONICS INC.**, Seoul  
(KR)

(72) Inventor: **Choonghwan Shin**, Seoul (KR)

(73) Assignee: **LG ELECTRONICS INC.**, Seoul  
(KR)

(\*\*) Term: **15 Years**

(21) Appl. No.: **29/577,453**

(22) Filed: **Sep. 13, 2016**

(30) **Foreign Application Priority Data**

Mar. 14, 2016 (KR) ..... 30-2016-0011764

(51) **LOC (11) Cl.** ..... **14-03**

(52) **U.S. Cl.**  
USPC ..... **D14/129**

(58) **Field of Classification Search**  
USPC ..... D14/125-134, 239, 371, 374-377, 448,  
D14/450, 451, 336, 342, 168, 496, 299;  
(Continued)

(56) **References Cited**

U.S. PATENT DOCUMENTS

D290,702 S \* 7/1987 Stern ..... D14/375  
D322,287 S \* 12/1991 Sukman ..... D19/76  
(Continued)

*Primary Examiner* — Susan Bennett Hattan

*Assistant Examiner* — Marie D. Fast Horse

(74) *Attorney, Agent, or Firm* — Birch, Stewart, Kolasch  
& Birch, LLP

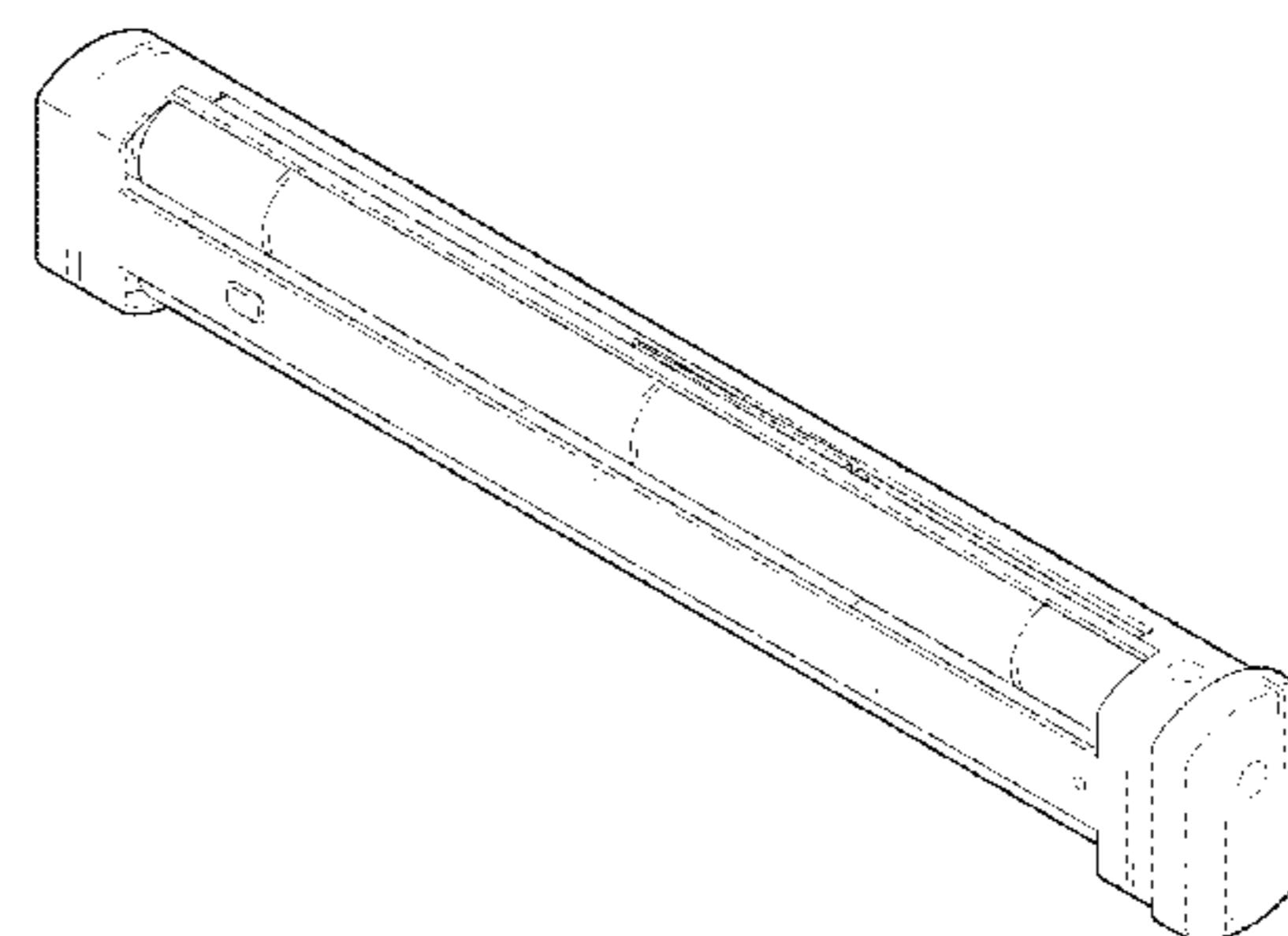
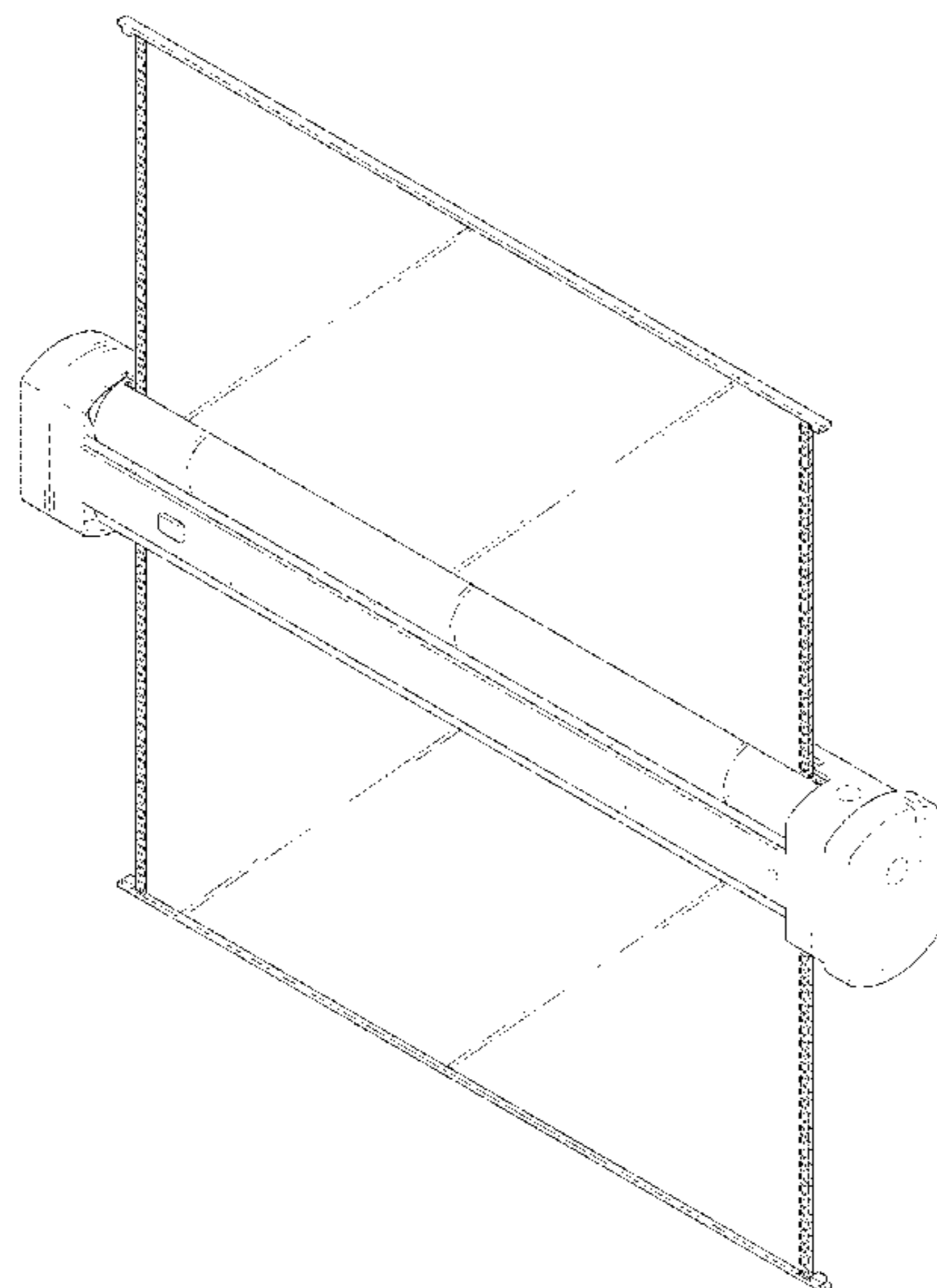
(57) **CLAIM**

The ornamental design for a multimedia terminal, as shown  
and described.

**DESCRIPTION**

FIG. 1 is a front perspective view of a multimedia terminal  
showing my new design;  
FIG. 2 is a front view thereof;  
FIG. 3 is a rear view thereof;  
FIG. 4 is a left side view thereof;  
FIG. 5 is a right side view thereof;  
FIG. 6 is a top plan view thereof;  
FIG. 7 is a bottom plan view thereof;  
FIG. 8 is a rear perspective view thereof;  
FIG. 9 is another front perspective view thereof, shown in an  
alternate state where the flexible display parts are partially  
rolled inward;  
FIG. 10 is another right side view thereof, shown in an  
alternate state where the flexible display parts are in a  
partially upward position;  
FIG. 11 is another right side view thereof, shown in an  
alternate state where the flexible display parts are in a fully  
upward position;  
FIG. 12 is another right side view thereof, shown in an  
alternate state where the bottom flexible display part is in a  
partially upward position;  
FIG. 13 is another right side view thereof, shown in an  
alternate state where the flexible display parts are in a fully  
downward position;  
FIG. 14 is a perspective view thereof, shown in an alternate  
position in which the flexible display parts have been  
completely rolled inward;  
FIG. 15 is a front view of FIG. 14;  
FIG. 16 is a rear view of FIG. 14;  
FIG. 17 is a left side view of FIG. 14;  
FIG. 18 is a right side view of FIG. 14;  
FIG. 19 is a top plan view of FIG. 14; and,  
FIG. 20 is a bottom plan view of FIG. 14.  
The broken lines depict portions of the multimedia terminal  
that form no part of the claimed design.

**1 Claim, 15 Drawing Sheets**



(58) **Field of Classification Search**

USPC ..... D21/329, 515, 577; D10/15, 26;  
 D6/300, 312; D20/10, 19, 21, 27, 39;  
 D16/203, 241, 221, 235; D19/113, 114  
 CPC .... G06F 1/1601; G06F 1/1637; G06F 1/1652;  
 G06F 1/1647; G09F 15/0025; G09F  
 15/0062; G09F 15/0068; G09F 17/00;  
 H04N 5/64; H04N 5/645; H04N 5/655;  
 H05K 5/00; H05K 5/0017; H05K 5/02;  
 H05K 5/0204

See application file for complete search history.

(56) **References Cited**

U.S. PATENT DOCUMENTS

D350,568 S \* 9/1994 Lucarelli ..... D19/76  
 D465,783 S \* 11/2002 Zordan ..... D14/331  
 D502,690 S \* 3/2005 Uehara et al. .... D14/129  
 D518,008 S \* 3/2006 Peng ..... D14/129  
 D539,280 S \* 3/2007 Andresen ..... D14/335  
 D548,765 S \* 8/2007 Kotera ..... D16/235  
 D551,195 S \* 9/2007 Uno ..... D14/129  
 D551,637 S \* 9/2007 Hussaini et al. .... D14/129  
 D561,137 S \* 2/2008 Hsiung ..... D14/129  
 D564,473 S \* 3/2008 Nemoto ..... D14/129  
 D566,181 S \* 4/2008 Gerules ..... D19/113  
 D568,364 S \* 5/2008 Jeoung ..... D16/241  
 D571,754 S \* 6/2008 Cho et al. .... D14/129  
 D574,795 S \* 8/2008 Wlotzka ..... D14/129  
 D594,894 S \* 6/2009 Adams ..... D16/241  
 D607,916 S \* 1/2010 Orion ..... D16/241  
 D616,029 S \* 5/2010 Maier-Hunke ..... D20/10  
 D641,750 S \* 7/2011 Hu ..... D14/341

D664,957 S \* 8/2012 Kim ..... D14/374  
 D681,000 S \* 4/2013 Koh ..... D14/203.4  
 D681,054 S \* 4/2013 Koh ..... D14/496  
 D687,497 S \* 8/2013 Mattaliano ..... D20/42  
 D696,693 S \* 12/2013 Kim ..... D14/341  
 9,063,269 B1 \* 6/2015 Montelongo ..... G02B 27/02  
 D736,167 S \* 8/2015 Bang ..... D14/126  
 9,189,028 B2 \* 11/2015 Nakhimov ..... G06F 1/1652  
 D744,998 S \* 12/2015 Ahn ..... D14/341  
 9,244,494 B2 \* 1/2016 Hinson ..... G06F 15/025  
 D763,217 S \* 8/2016 Behar ..... D14/126  
 D767,526 S \* 9/2016 Lee ..... D14/138 AB  
 D769,209 S \* 10/2016 Byun ..... D14/138 AB  
 D770,447 S \* 11/2016 Endo ..... D14/341  
 D770,448 S \* 11/2016 Endo ..... D14/341  
 D772,830 S \* 11/2016 Kim ..... D14/126  
 D772,831 S \* 11/2016 Han ..... D14/126  
 D772,832 S \* 11/2016 Han ..... D14/126  
 D772,833 S \* 11/2016 Han ..... D14/126  
 D773,416 S \* 12/2016 Kim ..... D14/126  
 D773,417 S \* 12/2016 Kim ..... D14/126  
 D773,420 S \* 12/2016 Kim ..... D14/126  
 D774,483 S \* 12/2016 Kim ..... D14/126  
 D776,072 S \* 1/2017 Kim ..... D14/126  
 D776,631 S \* 1/2017 Kim ..... D14/126  
 D777,132 S \* 1/2017 Lee ..... D14/138 AB  
 D778,858 S \* 2/2017 Kim ..... D14/126  
 D778,859 S \* 2/2017 Kim ..... D14/126  
 D778,860 S \* 2/2017 Kim ..... D14/126  
 D780,140 S \* 2/2017 Kim ..... D14/126  
 D784,941 S \* 4/2017 Lee ..... D14/126  
 D788,726 S \* 6/2017 Lee ..... D14/138 AB  
 D789,900 S \* 6/2017 Lee ..... D14/126  
 2017/0196102 A1 \* 7/2017 Shin ..... G01R 33/072  
 2017/0196103 A1 \* 7/2017 Cho ..... H05K 5/0017

\* cited by examiner

FIG. 1

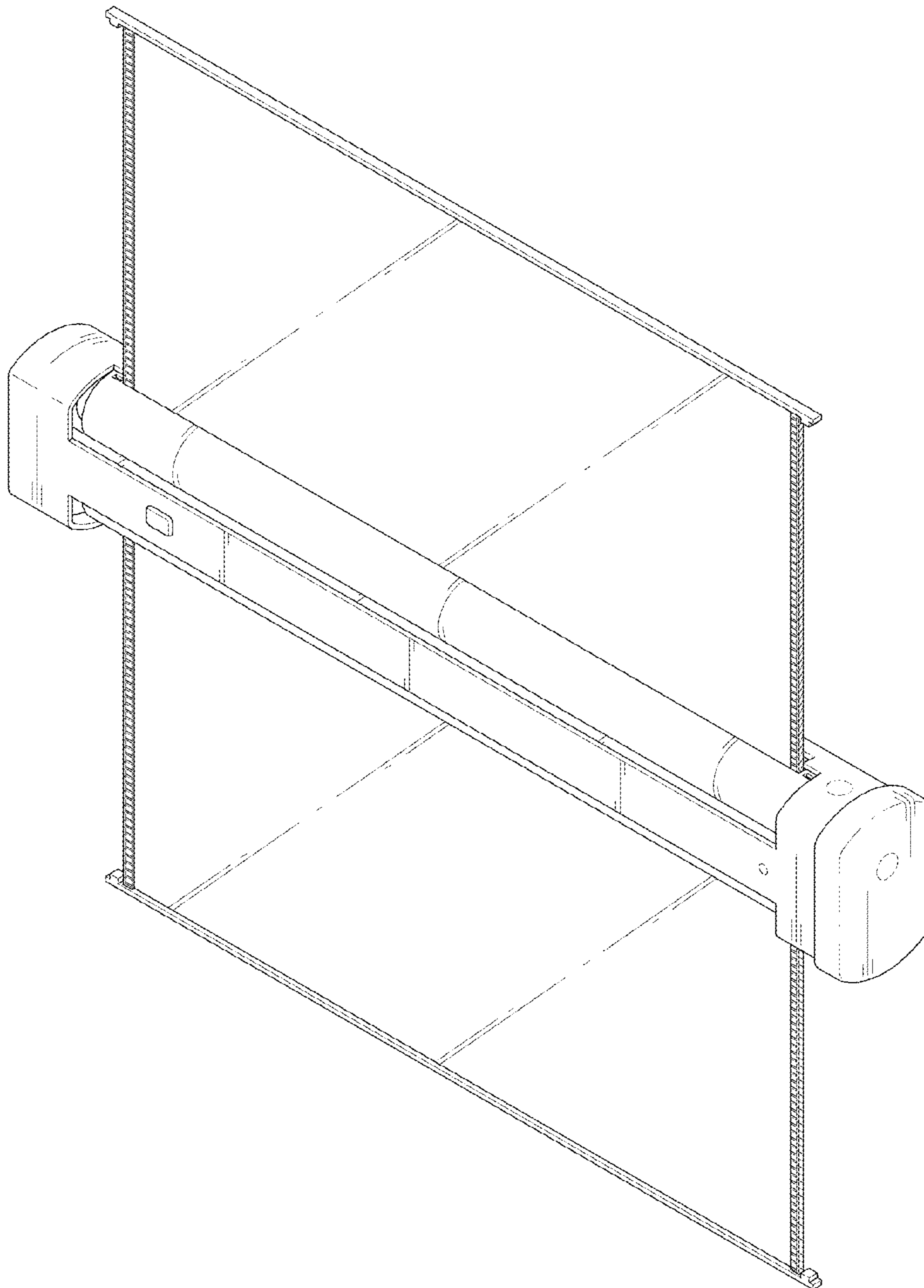


FIG. 2

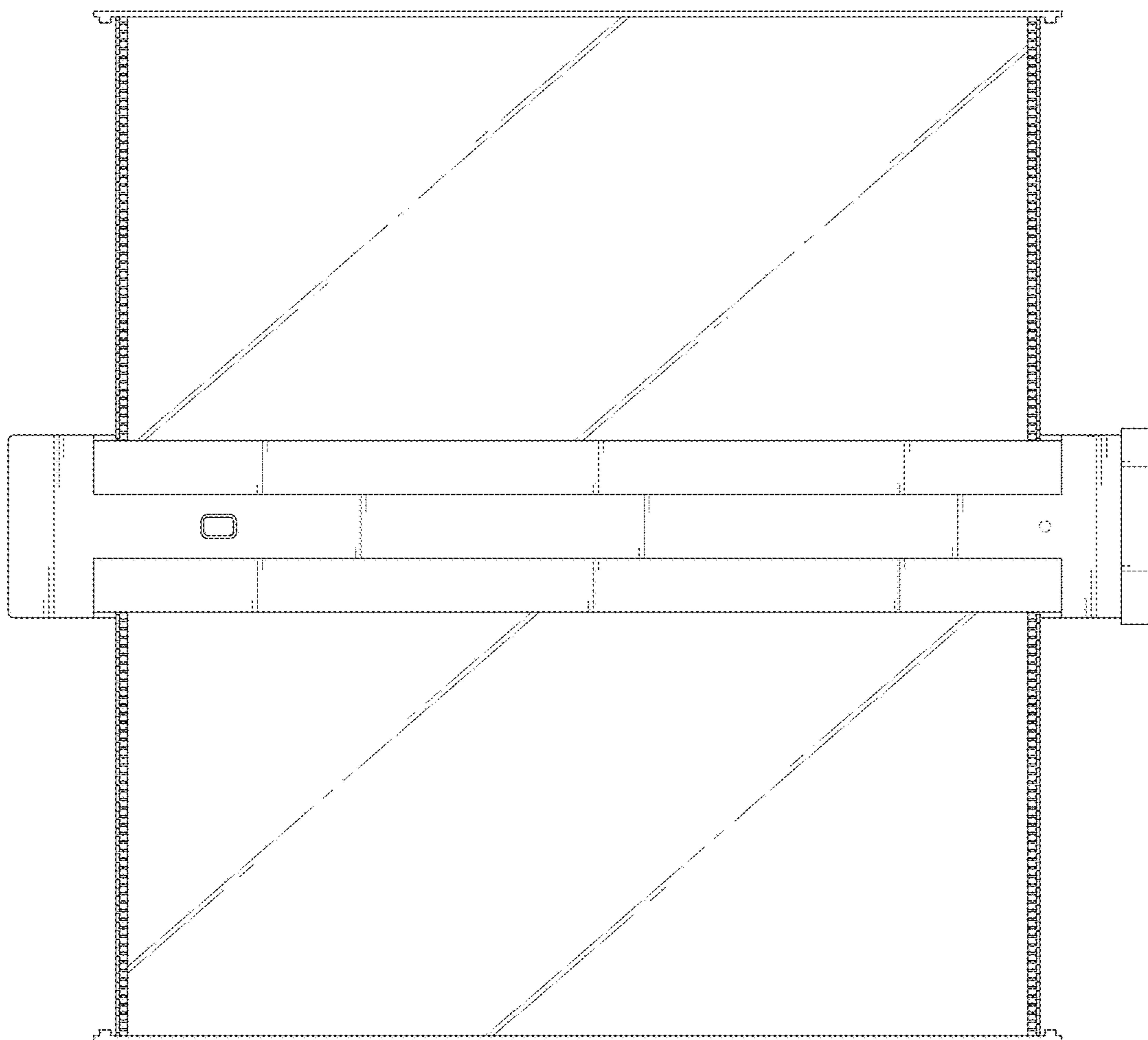


FIG. 3

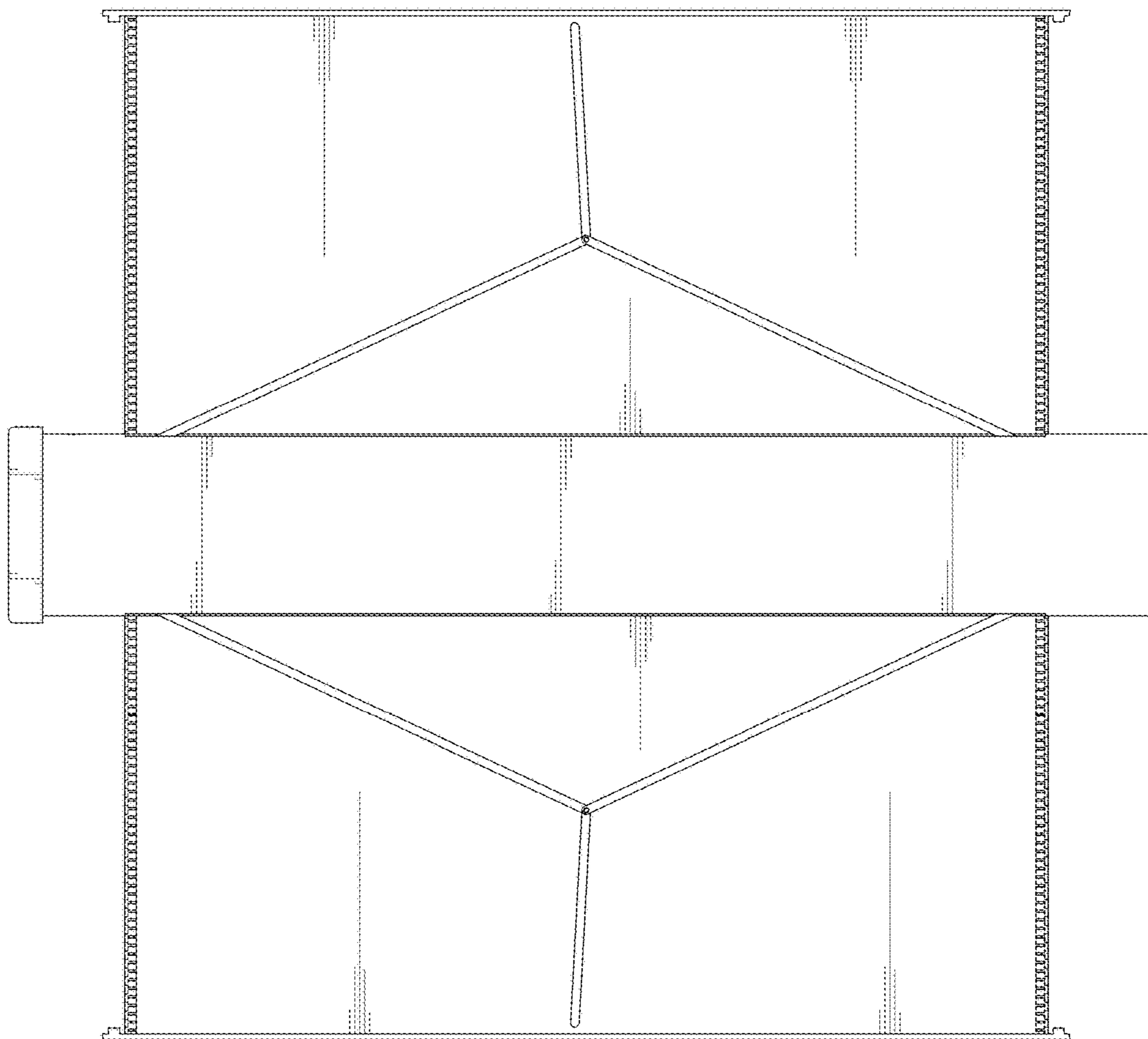


FIG. 4

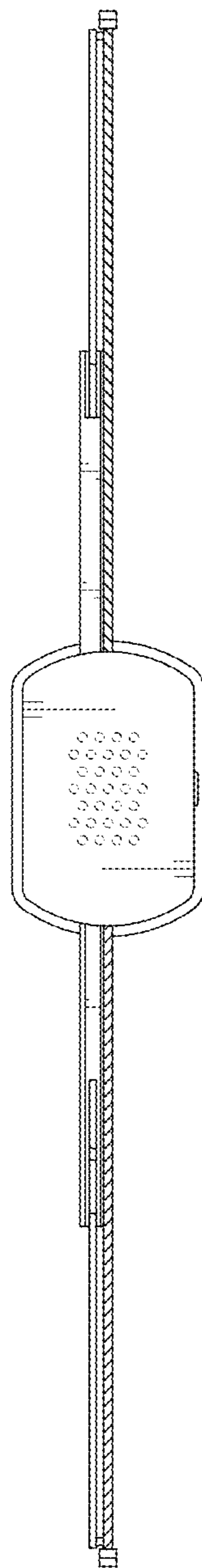


FIG. 5

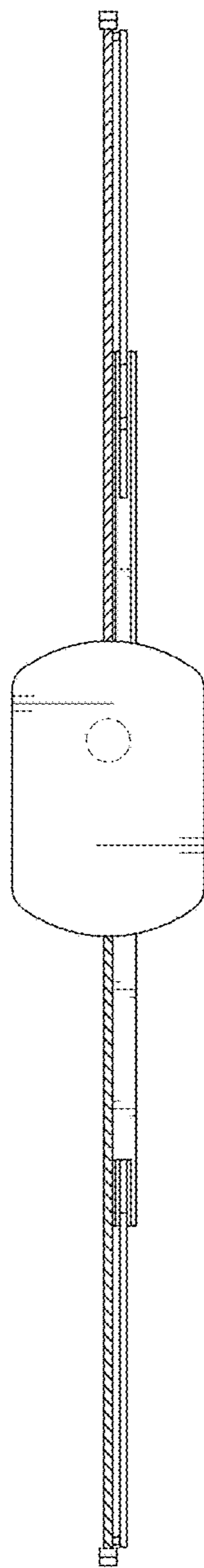


FIG. 6

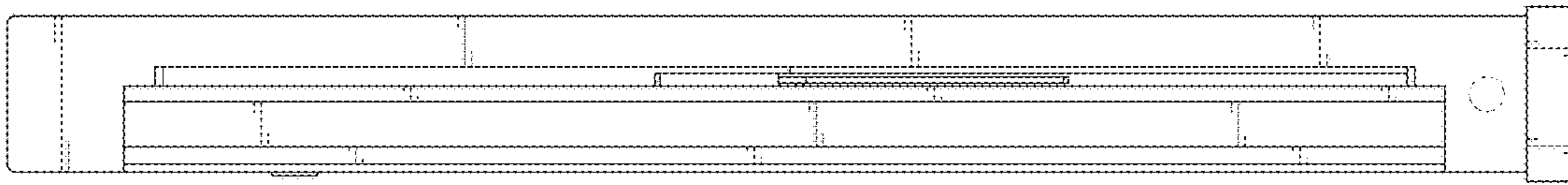


FIG. 7

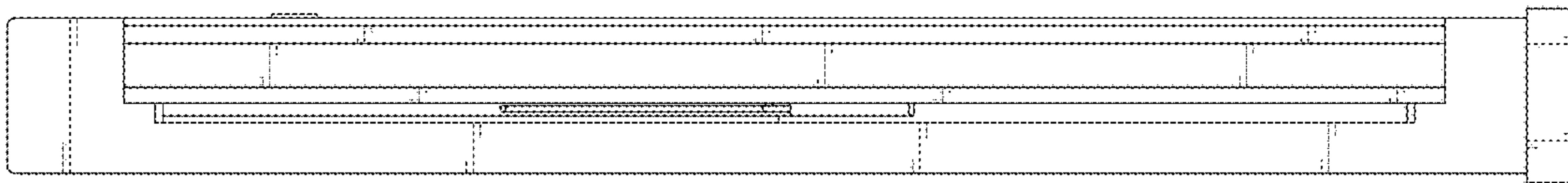




FIG. 8

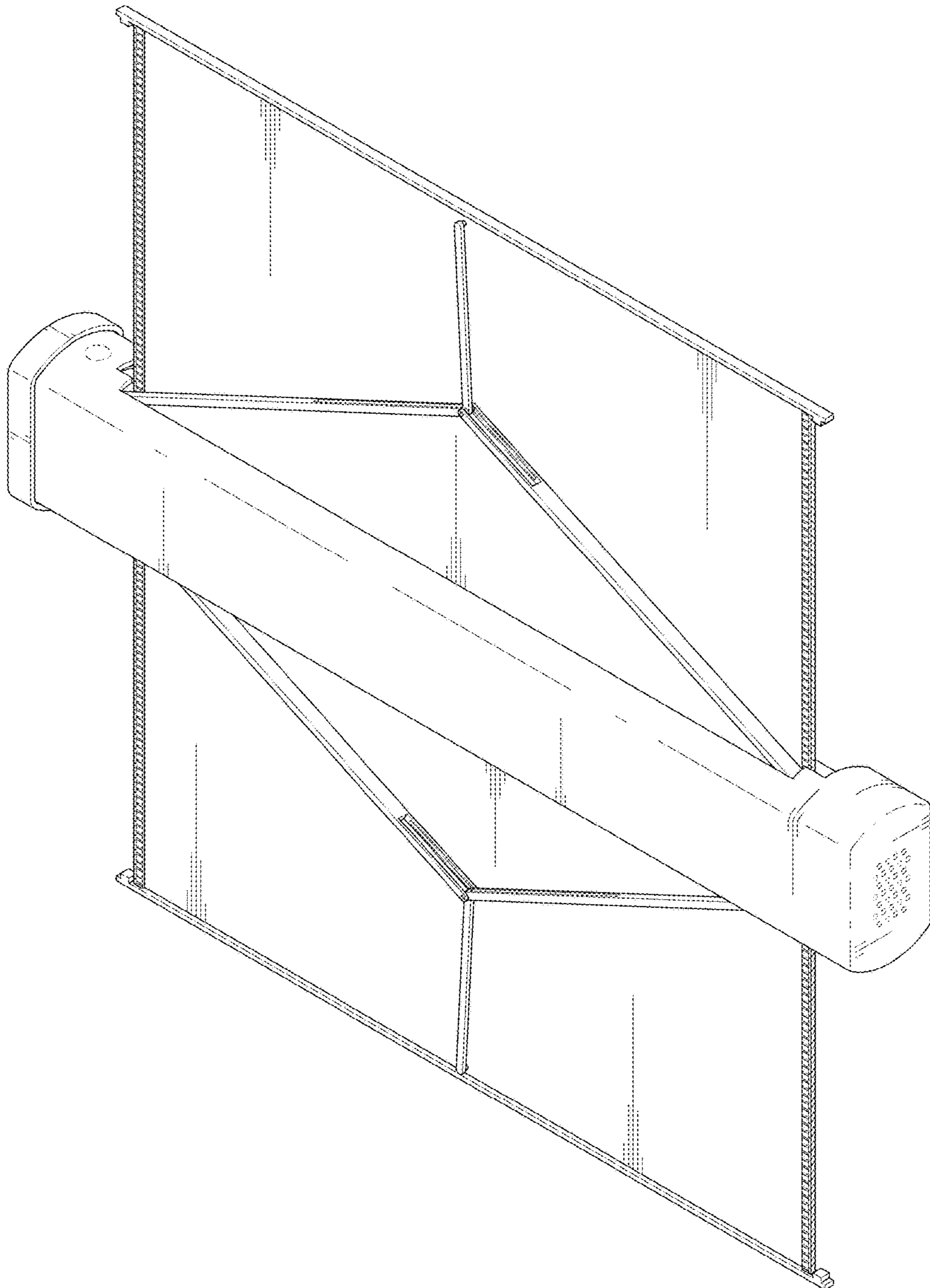


FIG. 9

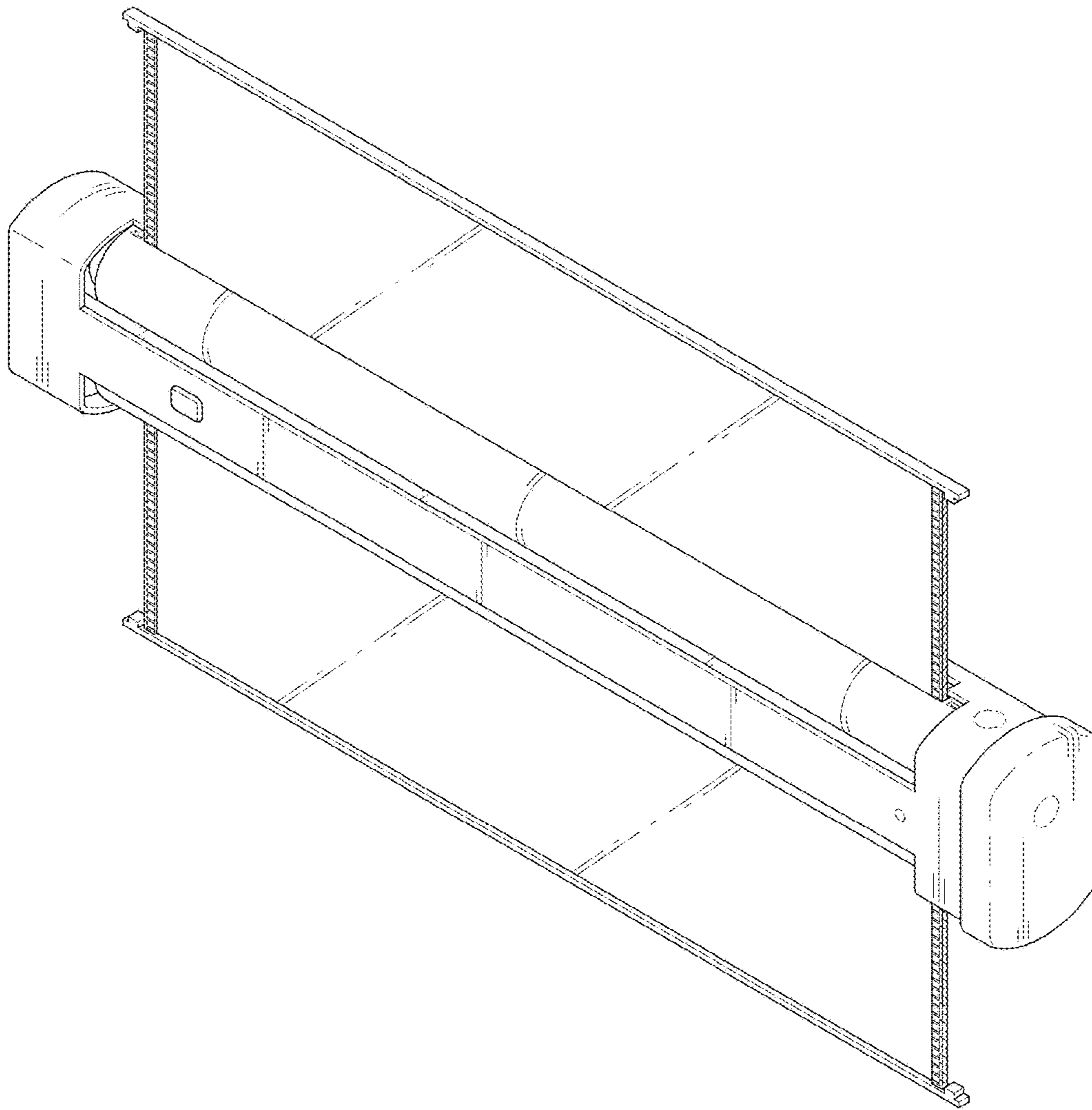


FIG. 10

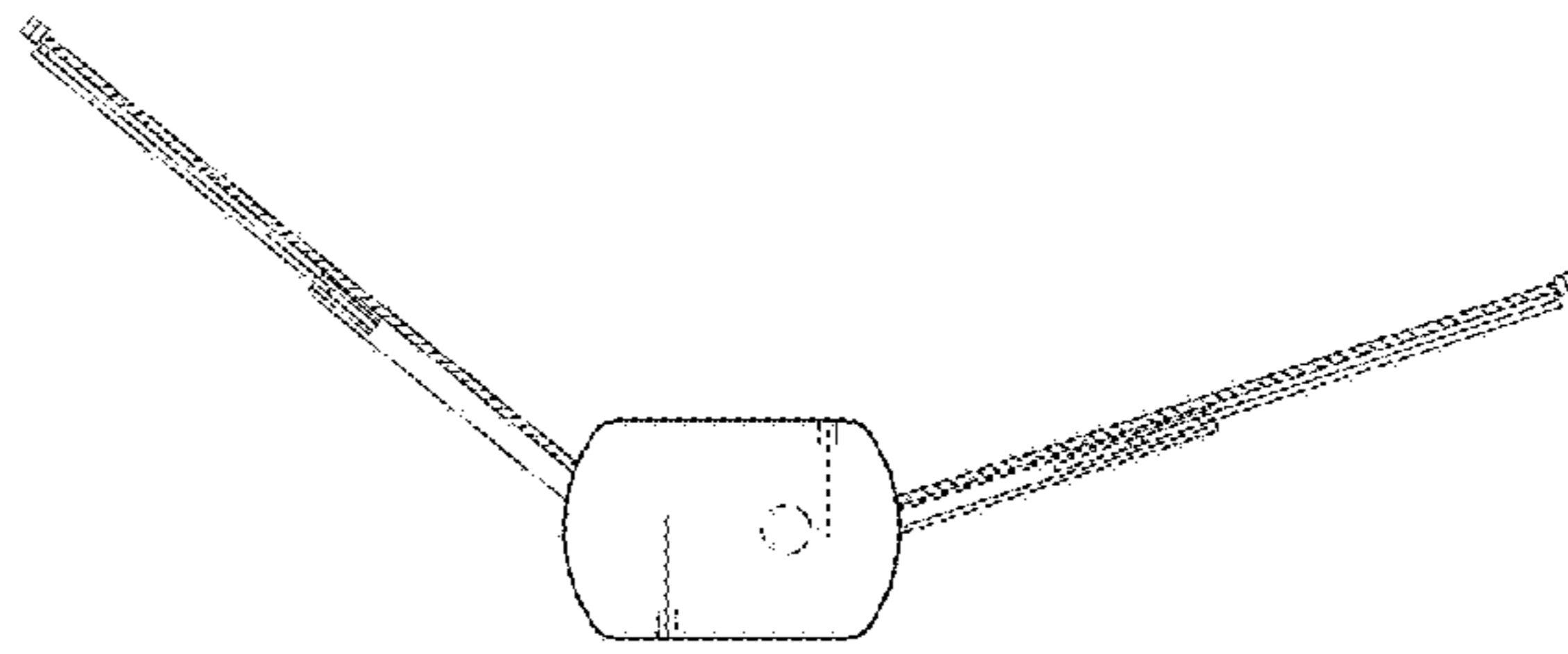


FIG. 11

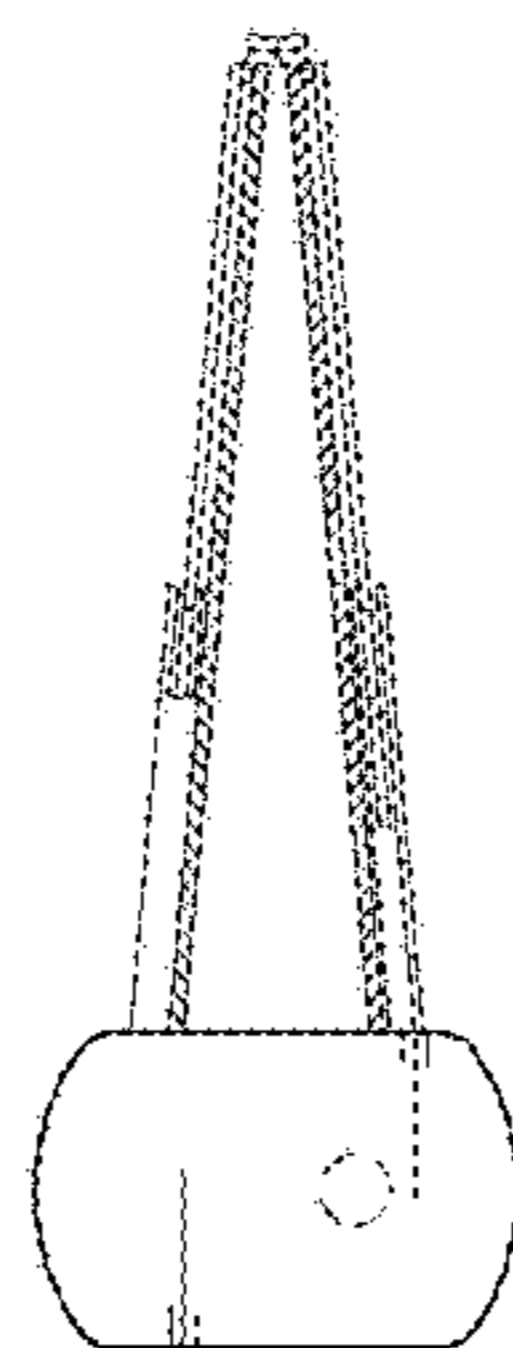


FIG. 12

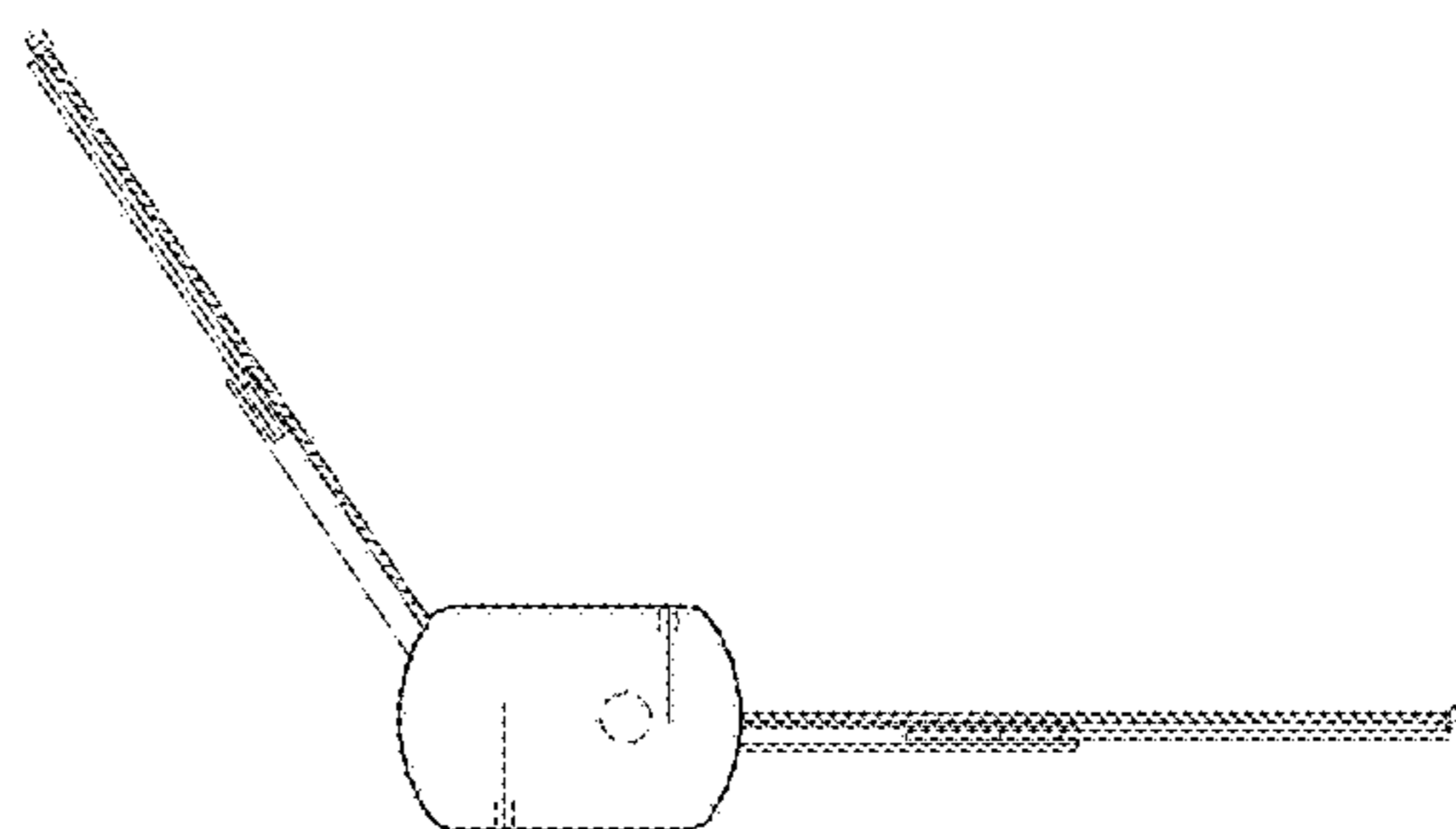


FIG. 13

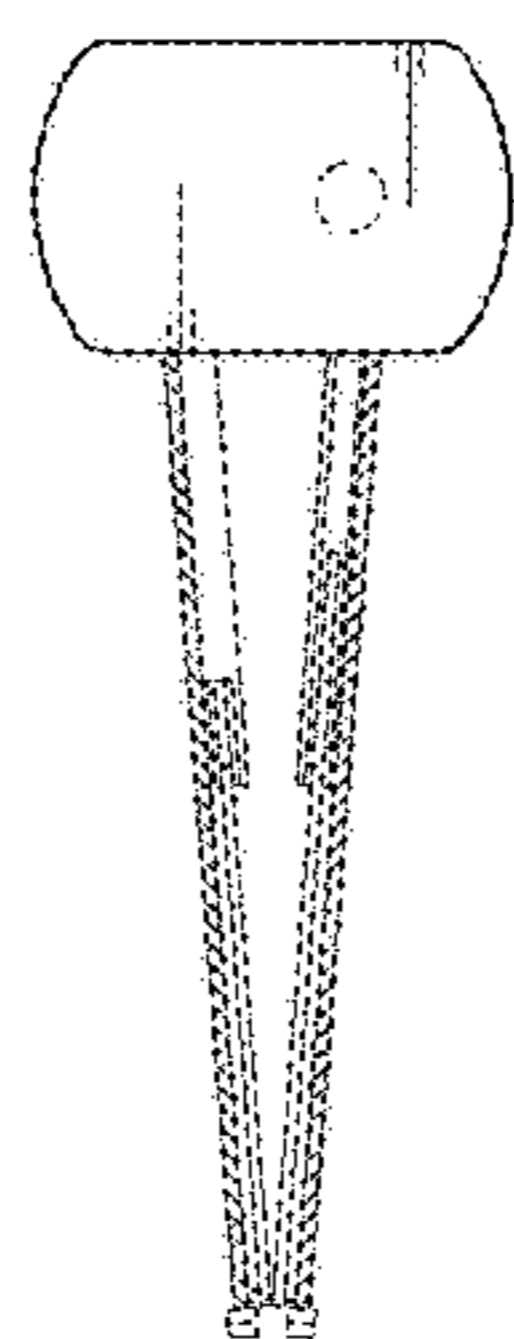


FIG. 14

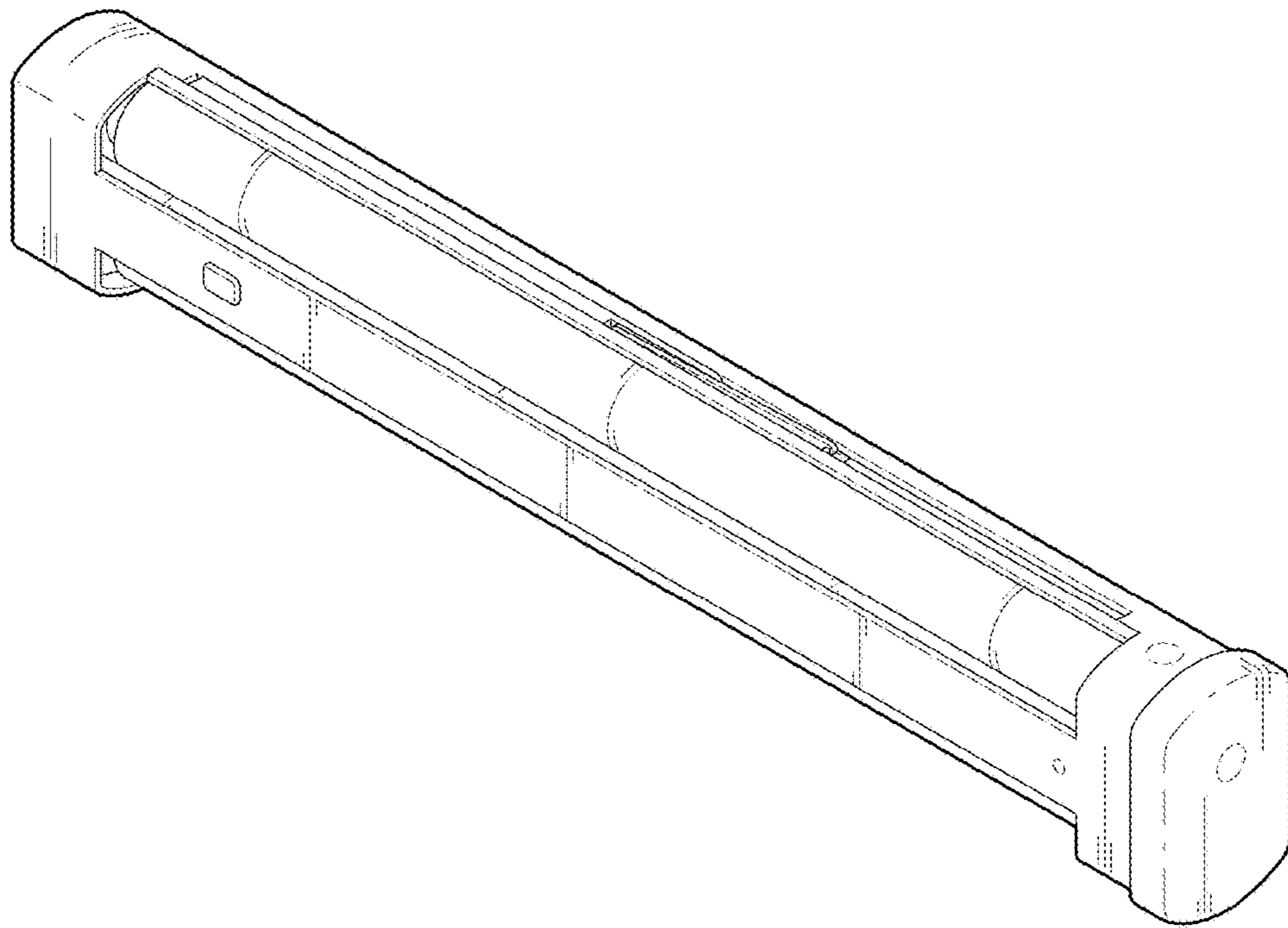


FIG. 15

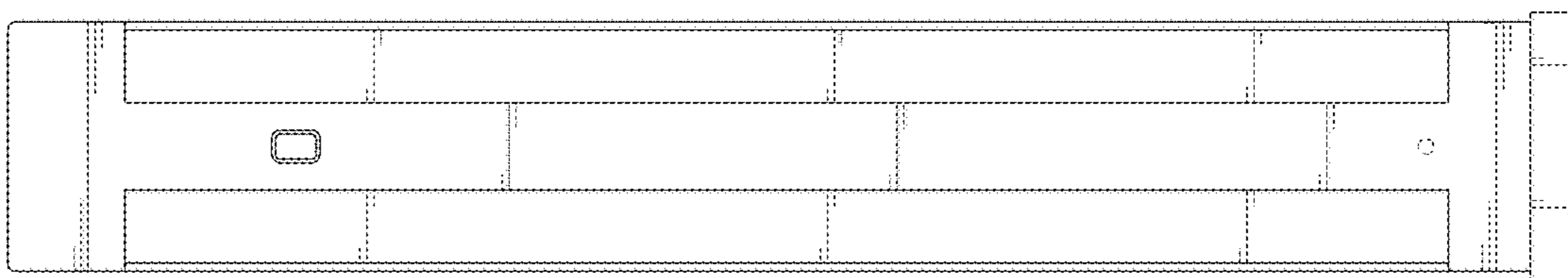


FIG. 16

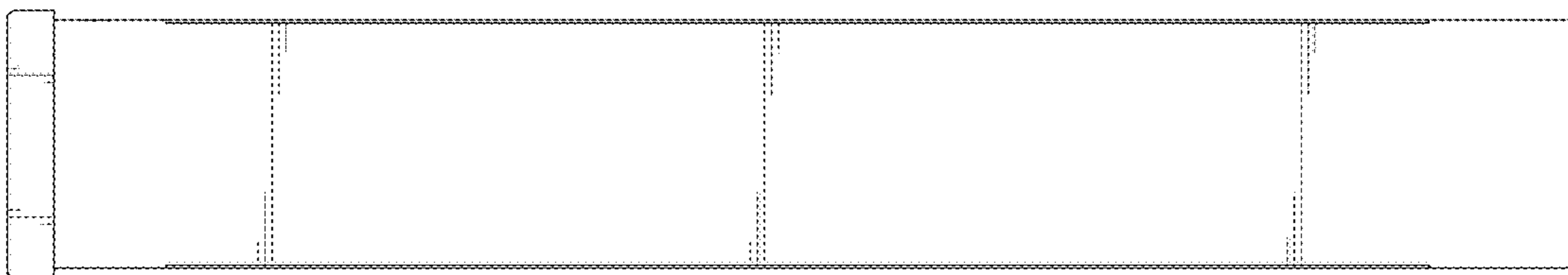


FIG. 17

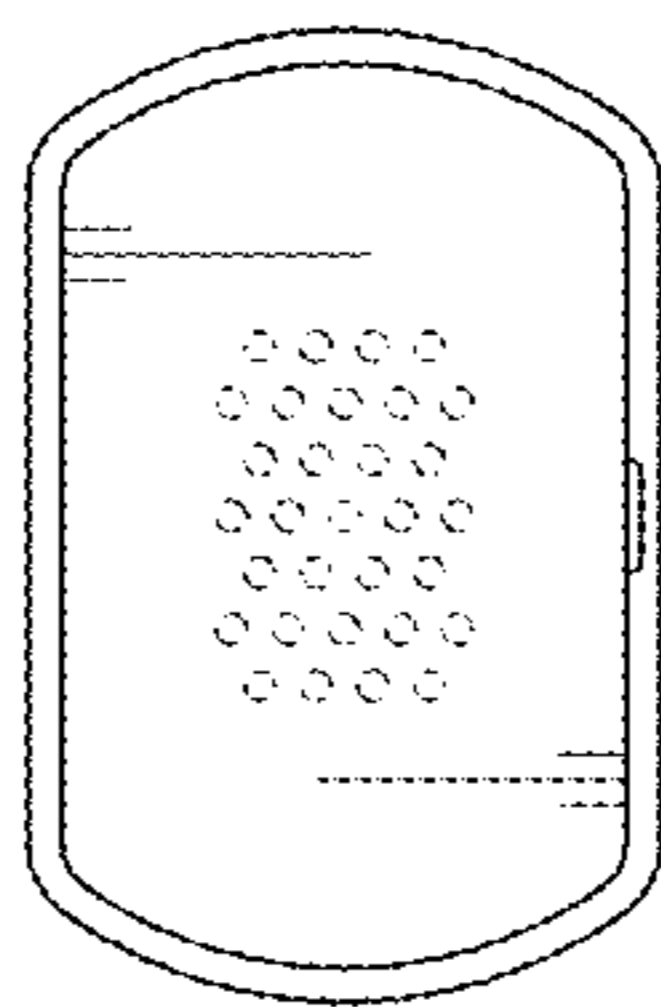


FIG. 18

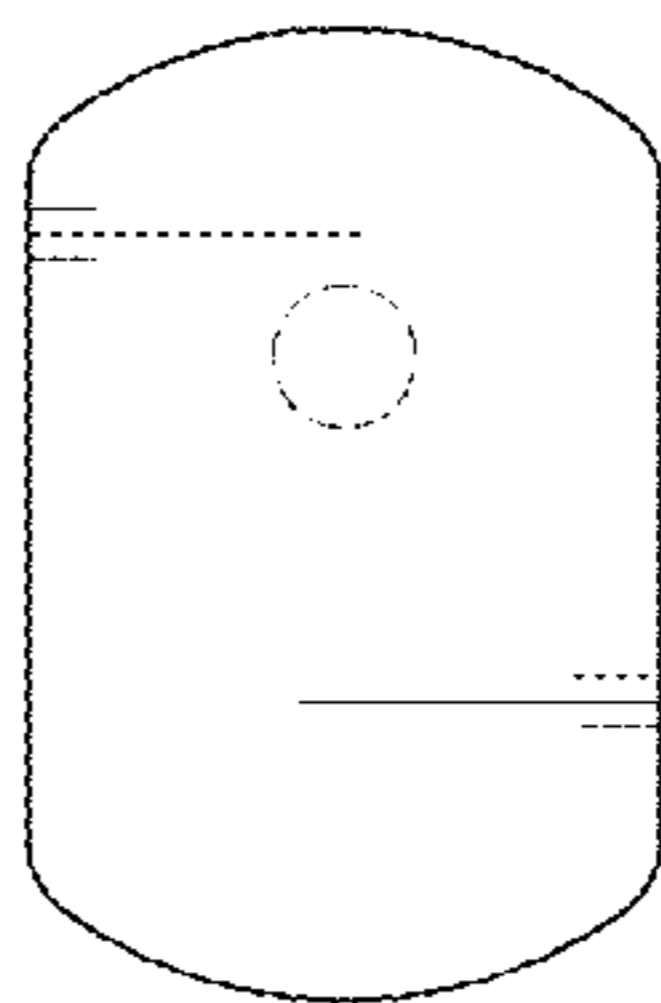




FIG. 19

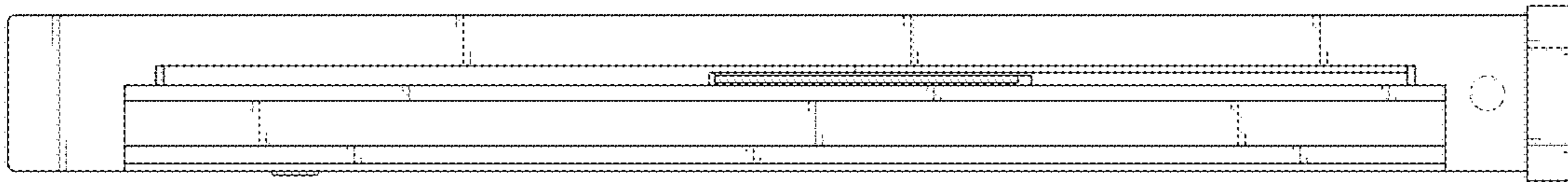


FIG. 20

