



US00D815610S

(12) **United States Design Patent** (10) **Patent No.:** **US D815,610 S**
Lee (45) **Date of Patent:** **** Apr. 17, 2018**

(54) **SET TOP BOX**

D723,480 S * 3/2015 Lee D14/125
D730,851 S * 6/2015 Lee D14/125

(71) Applicant: **HUMAX Co., Ltd.**, Yongin-si (KR)

* cited by examiner

(72) Inventor: **Moon Hyung Lee**, Seongnam-si (KR)

Primary Examiner — Randall H Gholson

(73) Assignee: **HUMAX CO., LTD.**, Yongin-si (KR)

(74) *Attorney, Agent, or Firm* — Stein IP, LLC

(**) Term: **15 Years**

(57) **CLAIM**

(21) Appl. No.: **29/566,537**

The ornamental design for a set top box, as shown and described.

(22) Filed: **May 31, 2016**

(30) **Foreign Application Priority Data**

DESCRIPTION

Apr. 22, 2016 (KR) 30-2016-0019339

(51) **LOC (11) Cl.** **14-03**

(52) **U.S. Cl.**
USPC **D14/125**

(58) **Field of Classification Search**
USPC D14/125, 357-358, 496, 188, 242, 432;
D13/184; 348/10, 460, 706, 731;
340/825.03; 455/6.1, 6.2; 312/223.1, 7.2
CPC H04N 7/00
See application file for complete search history.

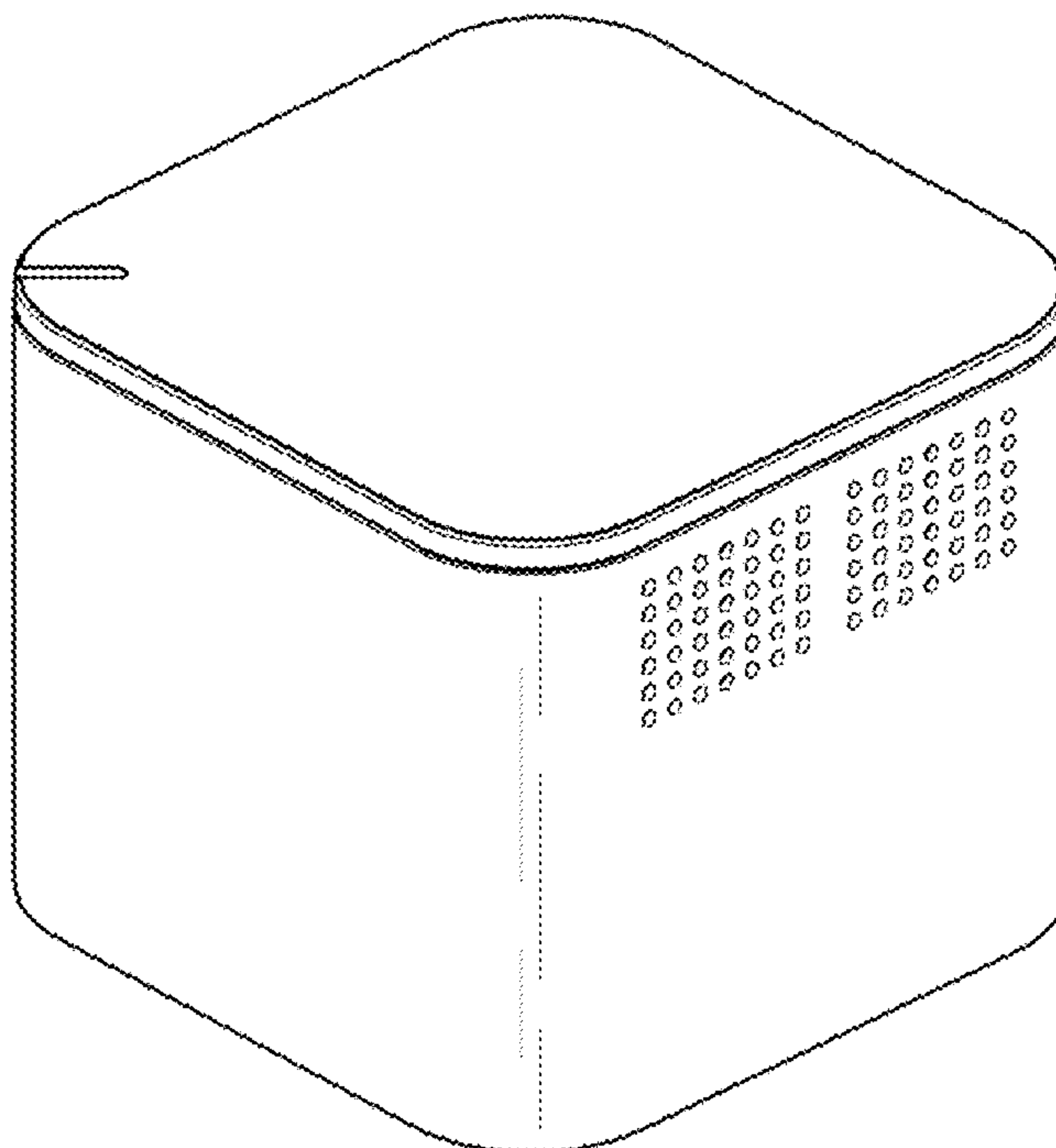
FIG. 1 is a perspective view of the design;
FIG. 2 is a front view of the design;
FIG. 3 is a rear view of the design;
FIG. 4 is a left-side view of the design;
FIG. 5 is a right-side view of the design;
FIG. 6 is a top plan view of the design;
FIG. 7 is a bottom plan view of the design; and,
FIG. 8 is a perspective view of the design from a different angle.
The broken lines in the Figures show environment for illustrative purposes only and form no part of the claim design.
The Figures include surface shading that represents contour not surface ornamentation.

(56) **References Cited**

U.S. PATENT DOCUMENTS

D676,420 S * 2/2013 Holzer D14/212
D692,849 S * 11/2013 Choi D14/188

1 Claim, 8 Drawing Sheets



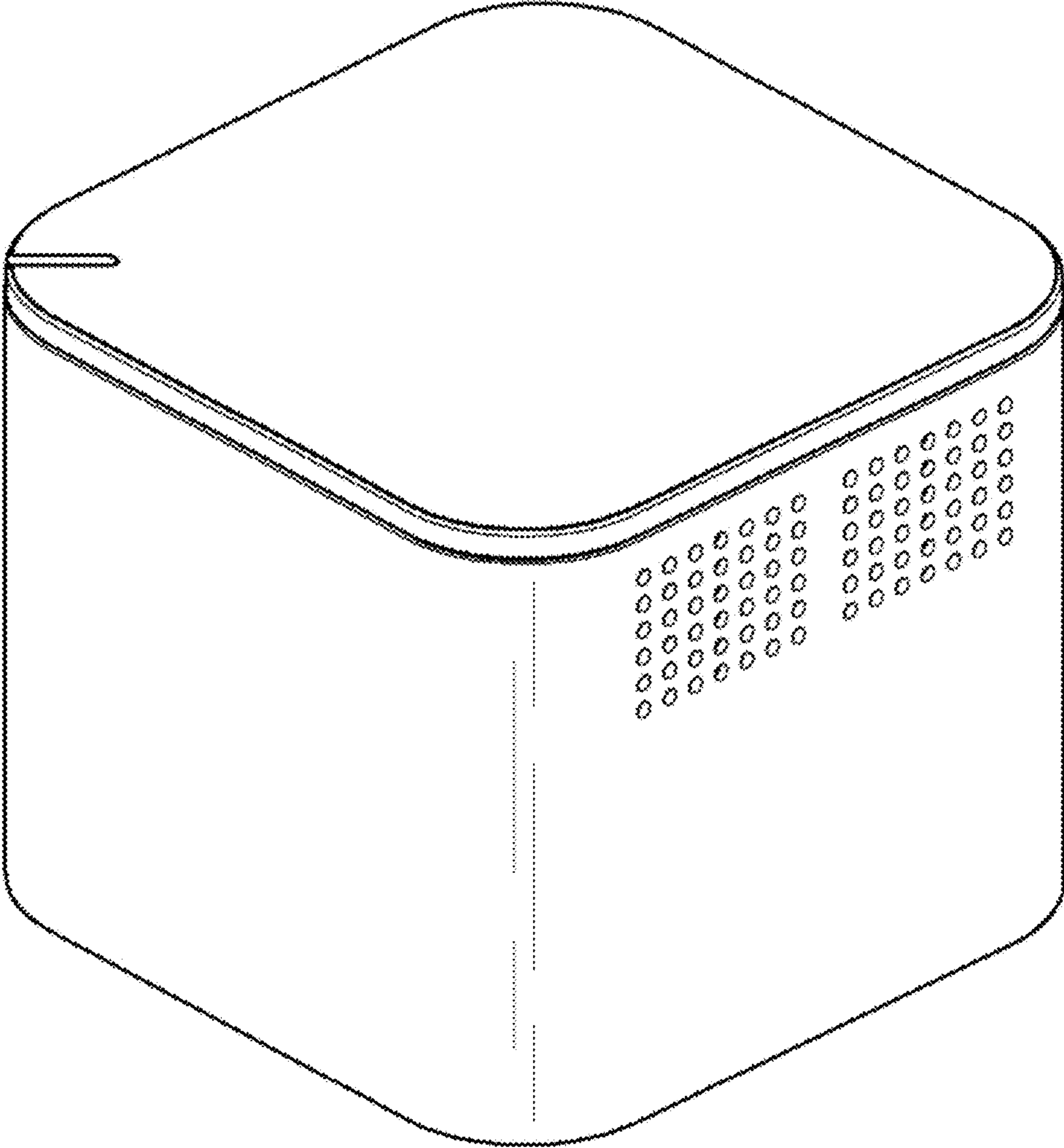


FIG. 1

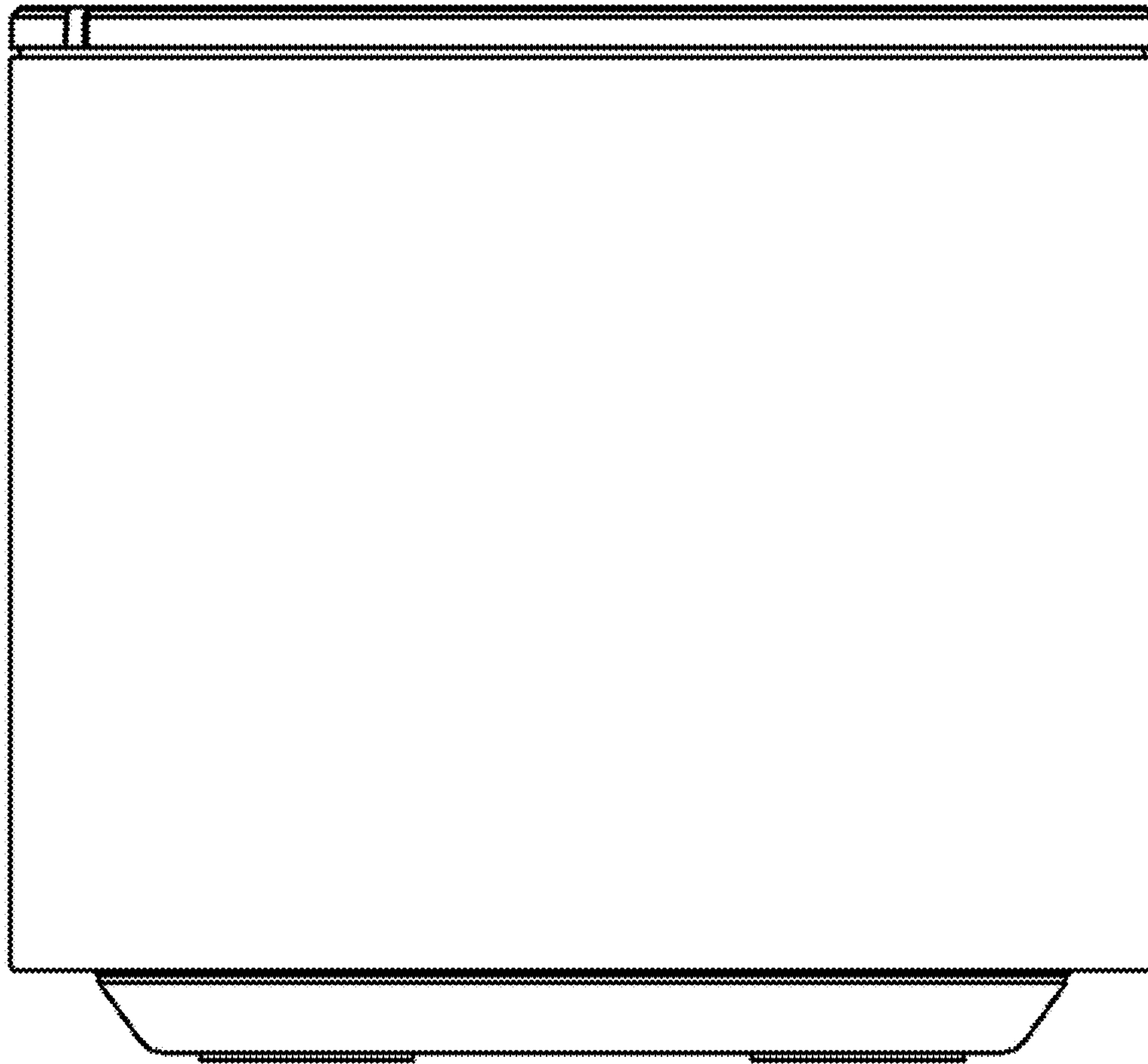


FIG. 2

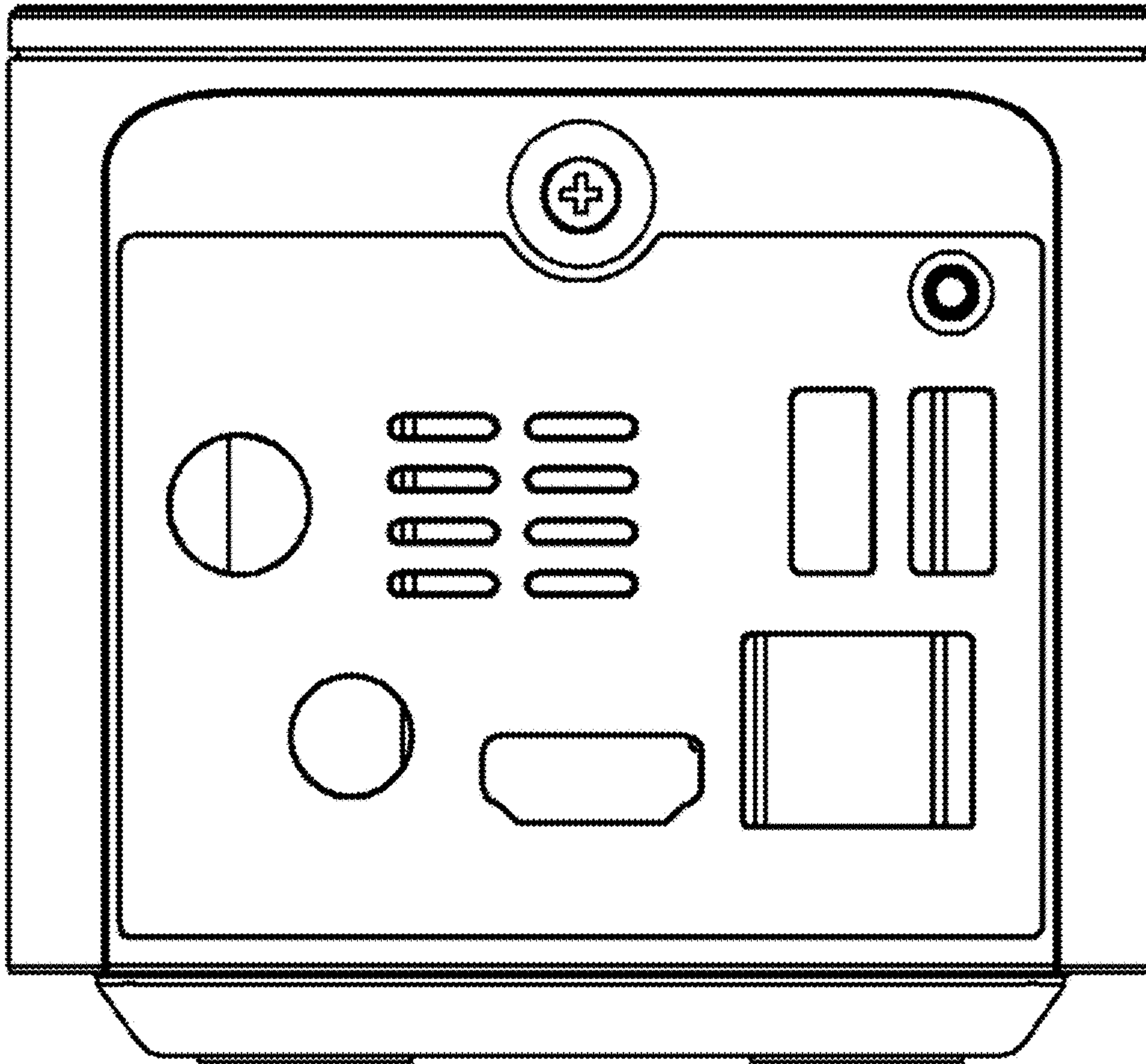


FIG. 3

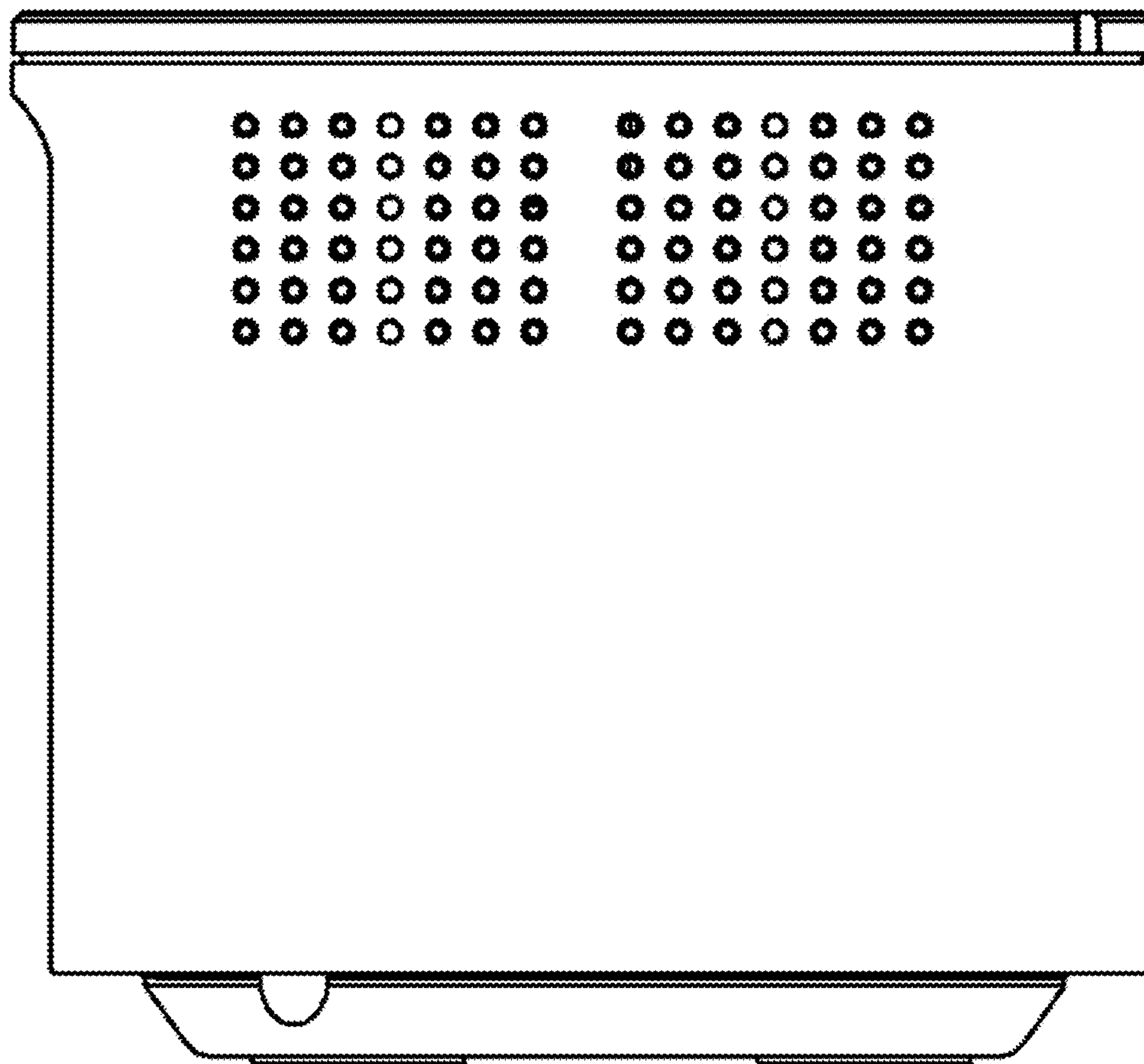


FIG. 4

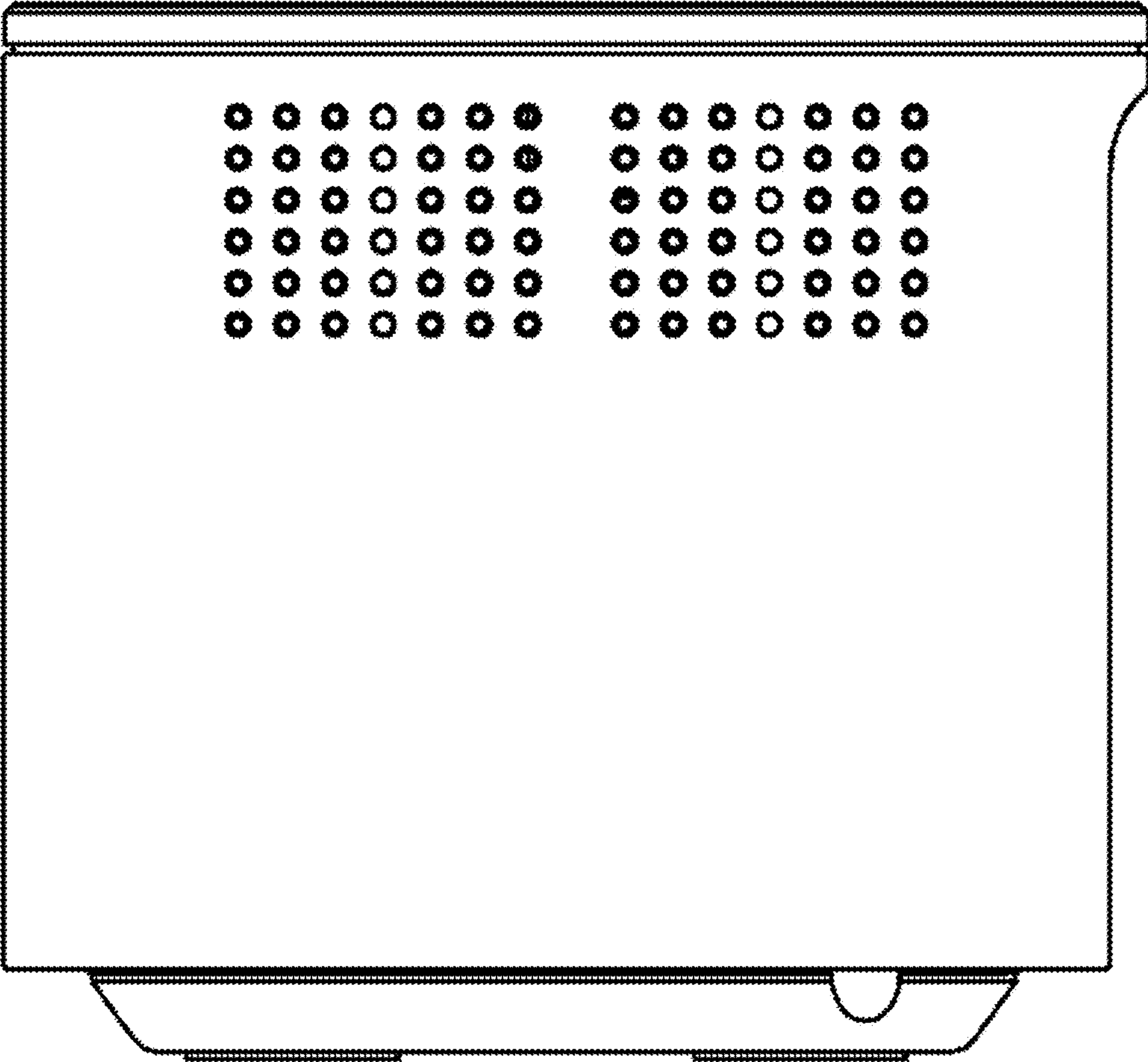


FIG. 5

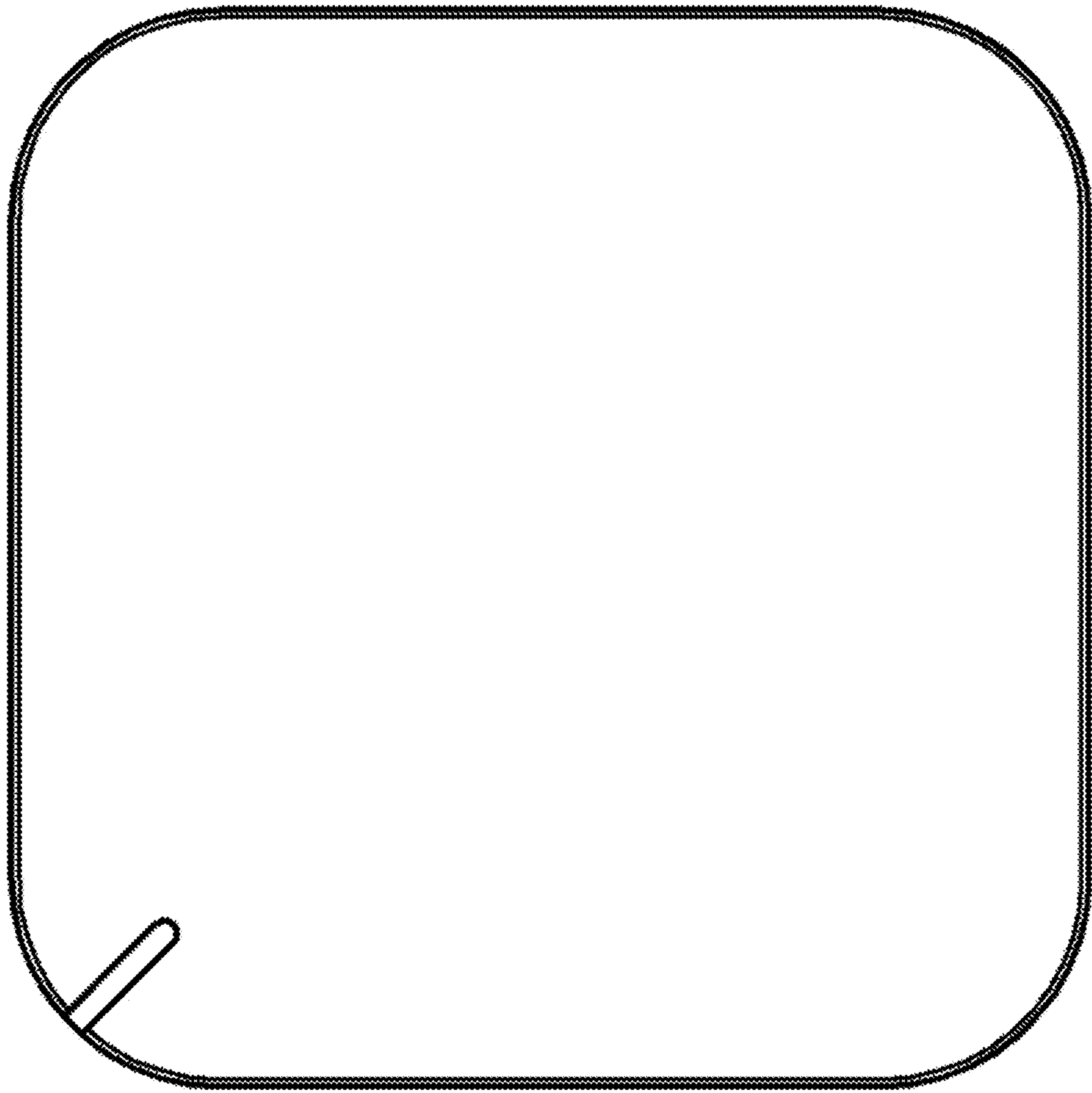


FIG. 6

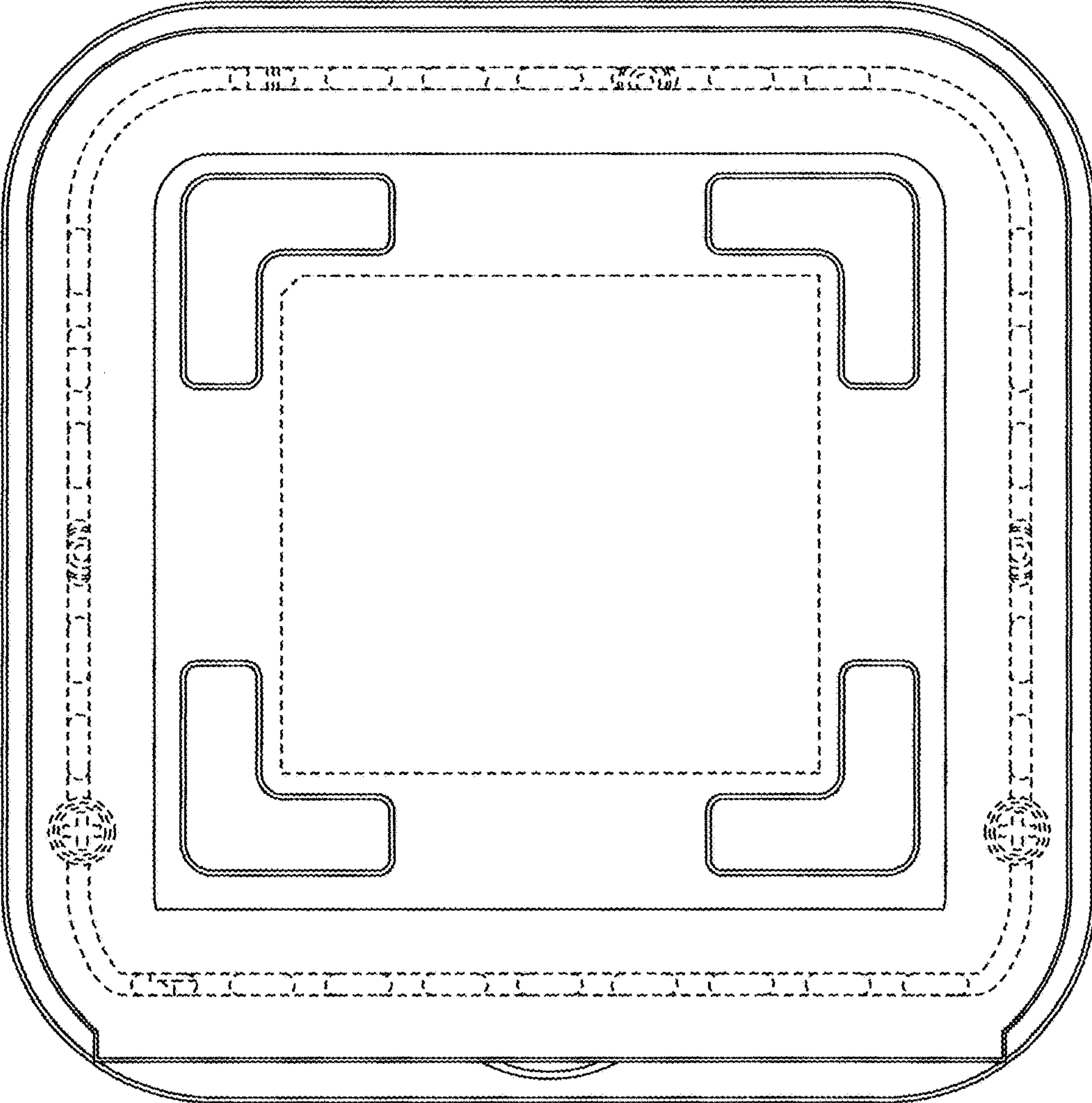


FIG. 7

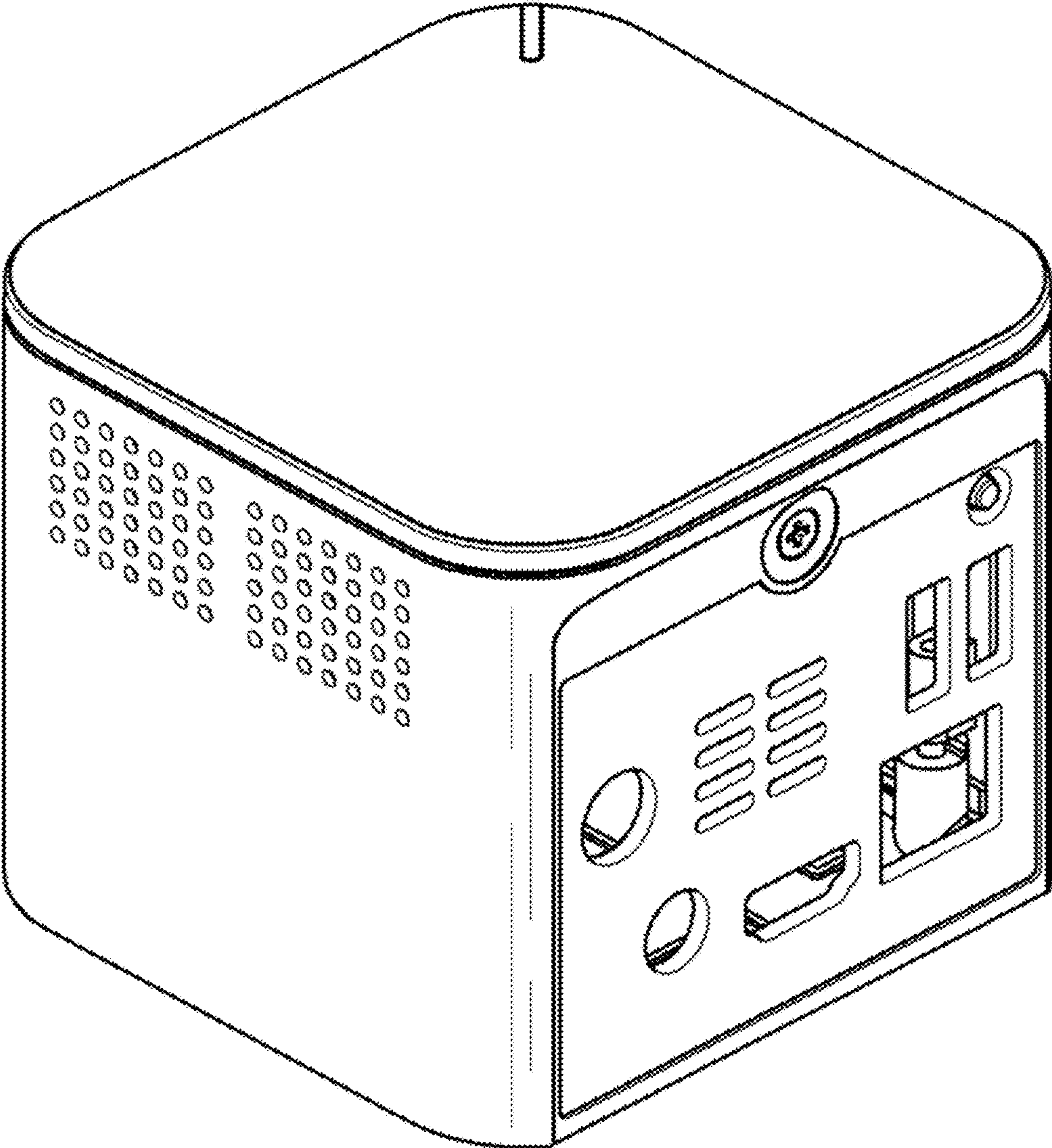


FIG. 8