



US00D815609S

(12) **United States Design Patent** (10) **Patent No.:** **US D815,609 S**  
**Moreno et al.** (45) **Date of Patent:** **\*\* \*Apr. 17, 2018**

(54) **DIGITAL SATELLITE RECEIVER COVER**

*Primary Examiner* — Randall H Gholson

(71) Applicant: **ARRIS Enterprises, Inc.**, Suwanee, GA (US)

(74) *Attorney, Agent, or Firm* — Lori Anne D. Swanson

(72) Inventors: **Luis Lopez Moreno**, Nuevo Leon (MX); **Carlos Gonzalez Inda**, Nuevo Leon (MX); **Jeff Nelson**, San Diego, CA (US); **Julio Ayala Vera**, Nuevo Leon (MX)

(57) **CLAIM**

We claim the ornamental design for a digital satellite receiver cover, as shown and described.

(73) Assignee: **ARRIS Enterprises LLC**, Suwanee, GA (US)

**DESCRIPTION**

(\*) Notice: This patent is subject to a terminal disclaimer.

FIG. 1 is a front perspective view of the enclosure for a digital satellite receiver cover;  
FIG. 2 is a front view thereof;  
FIG. 3 is a rear view thereof;  
FIG. 4 is a top view thereof;  
FIG. 5 is a left side view thereof;  
FIG. 6 is a right side view thereof;  
FIG. 7 is a bottom view thereof;  
FIG. 8 is another front perspective view thereof;  
FIG. 9 is a back perspective view thereof;  
FIG. 10 is another back perspective view thereof;  
FIG. 11 is a front view of a part of the main bezel of the digital satellite receiver cover, prior to assembly of a speaker component and floating bezel to the main bezel portion of the digital satellite receiver cover;  
FIG. 12 is a partially exploded view of the satellite receiver cover, depicting the speaker component and floating bezel for assembly to a main bezel portion of the otherwise assembled digital satellite receiver cover;  
FIG. 13 is a partial top perspective view thereof;  
FIG. 14 is a partial front perspective view thereof;  
FIG. 15 is another partial top perspective view thereof;  
FIG. 16 is a partially disassembled front perspective view thereof, with the floating bezel shown prior to assembly to the speaker component assembled to the digital satellite receiver cover;  
FIG. 17 is a front view of the floating bezel; and,  
FIG. 18 is a front view of the dial inserted behind the main bezel part shown in FIG. 11.

(\*\*) Term: **14 Years**

(21) Appl. No.: **29/518,661**

(22) Filed: **Feb. 26, 2015**

**Related U.S. Application Data**

(63) Continuation of application No. 29/504,090, filed on Oct. 1, 2014, now Pat. No. Des. 774,480.

(51) **LOC (11) Cl.** ..... **14-03**

(52) **U.S. Cl.**  
USPC ..... **D14/125**

(58) **Field of Classification Search**  
USPC ..... D14/125, 357-358, 496, 188, 242, 432;  
D13/184; 348/10, 460, 706, 731;  
340/825.03; 455/6.1, 6.2; 312/223.1, 7.2  
CPC .. H04N 5/50; H04N 5/64; H05K 5/02; H05K 5/03; G06F 1/16  
See application file for complete search history.

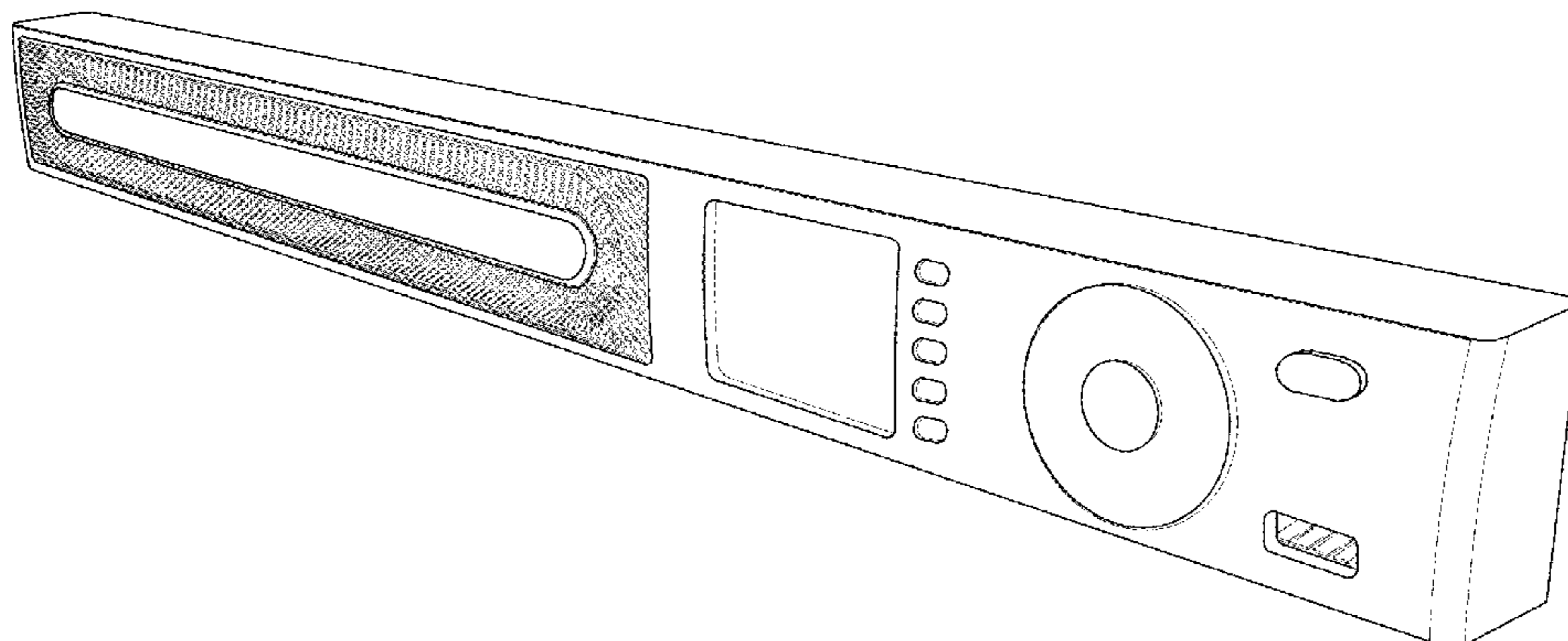
(56) **References Cited**

**U.S. PATENT DOCUMENTS**

D426,212 S *	6/2000	Storti	.....	D14/125
D588,558 S *	3/2009	Gwozdz	.....	D14/125
D608,745 S *	1/2010	Cho	.....	D14/125
D613,703 S *	4/2010	Chen	.....	D14/125

(Continued)

**1 Claim, 17 Drawing Sheets**



(56)

**References Cited**

U.S. PATENT DOCUMENTS

D623,154 S	*	9/2010	Tu .....	D14/125
D631,022 S	*	1/2011	Treulich .....	D14/125
D650,345 S	*	12/2011	Kim .....	D14/125
D658,610 S	*	5/2012	Bang .....	D14/125
D666,564 S	*	9/2012	Lee .....	D14/125

\* cited by examiner

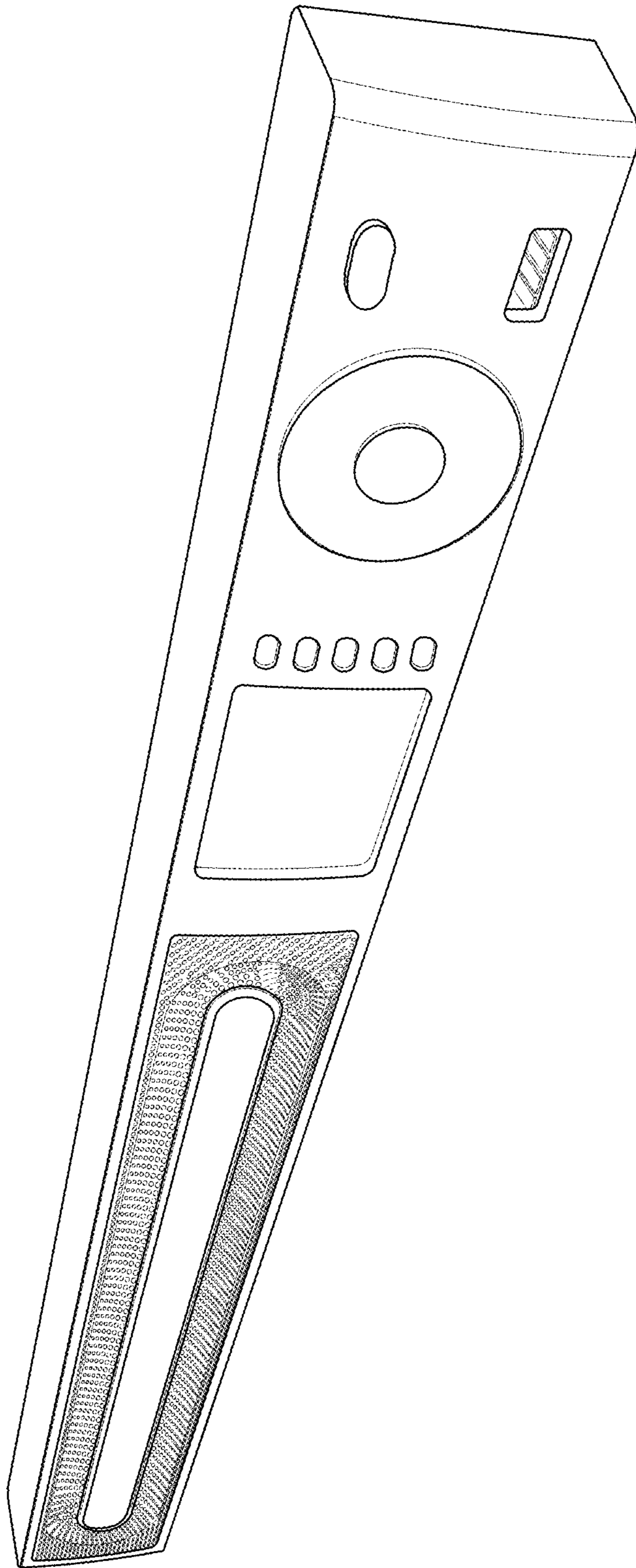


FIG. 1

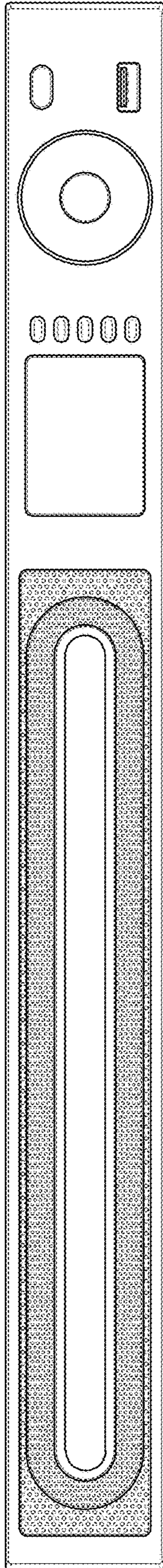


FIG. 2

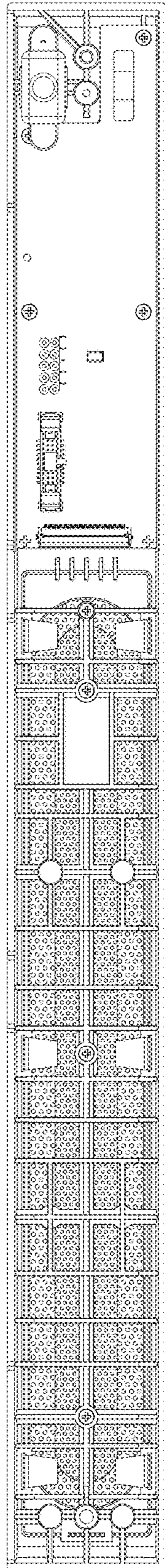


FIG. 3

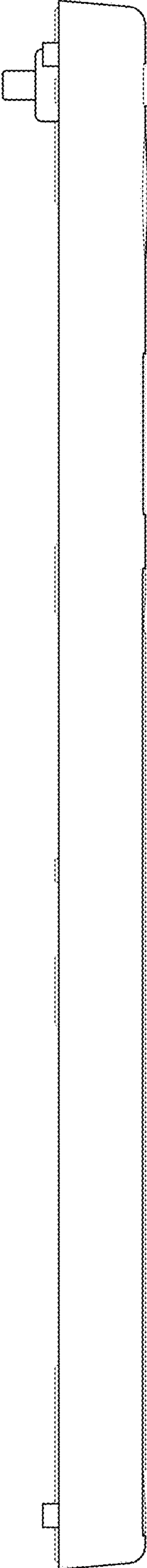


FIG. 4

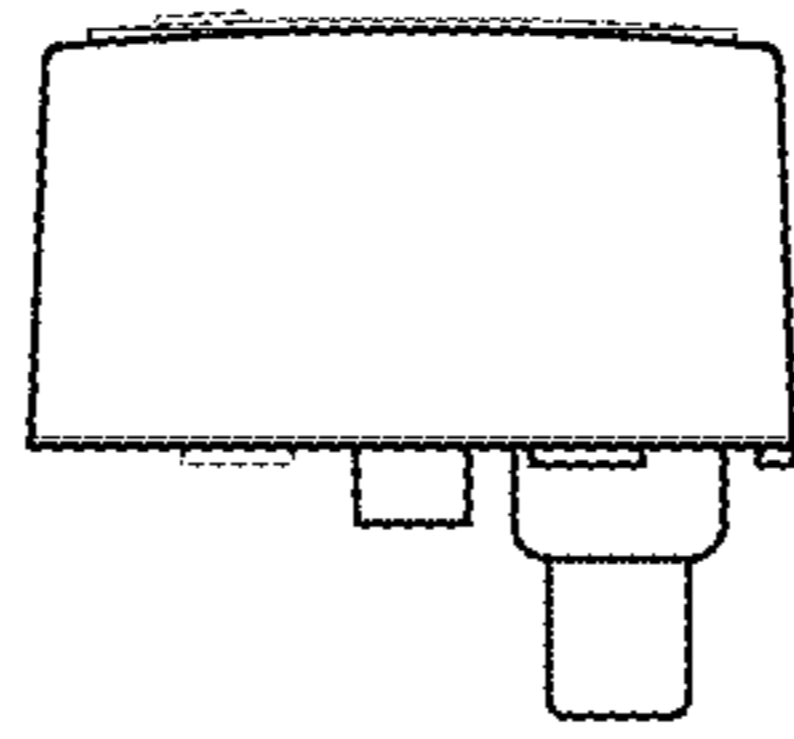


FIG. 5

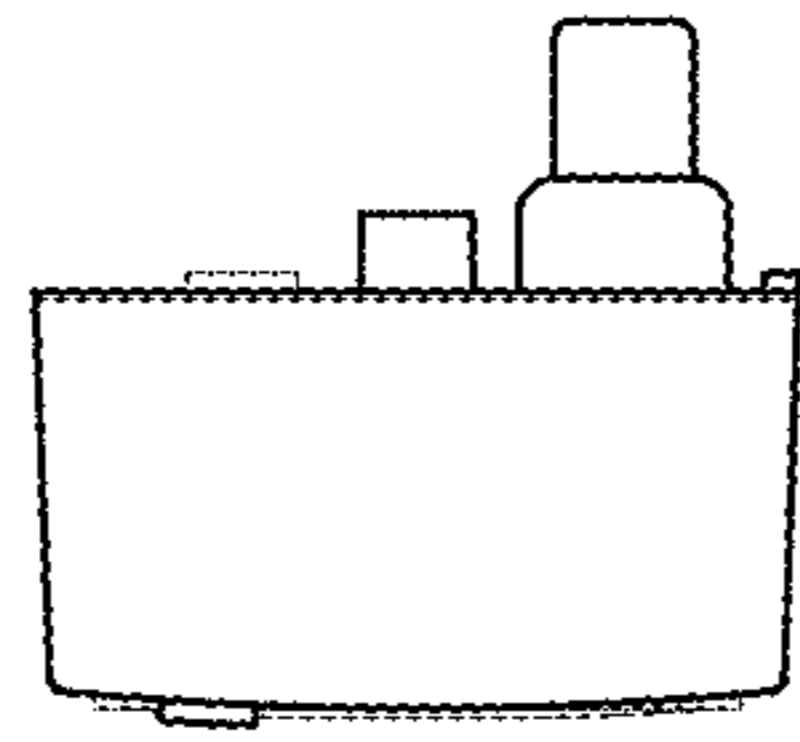


FIG. 6



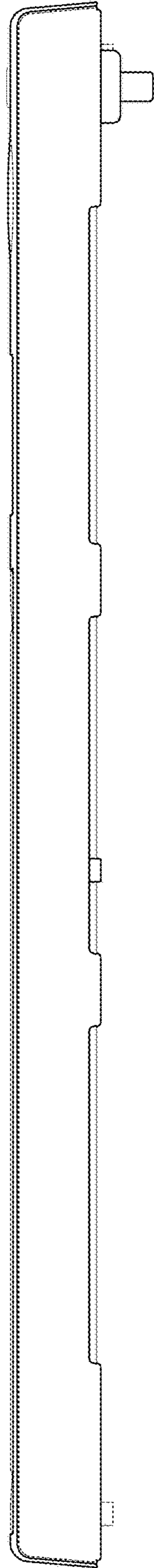


FIG. 7

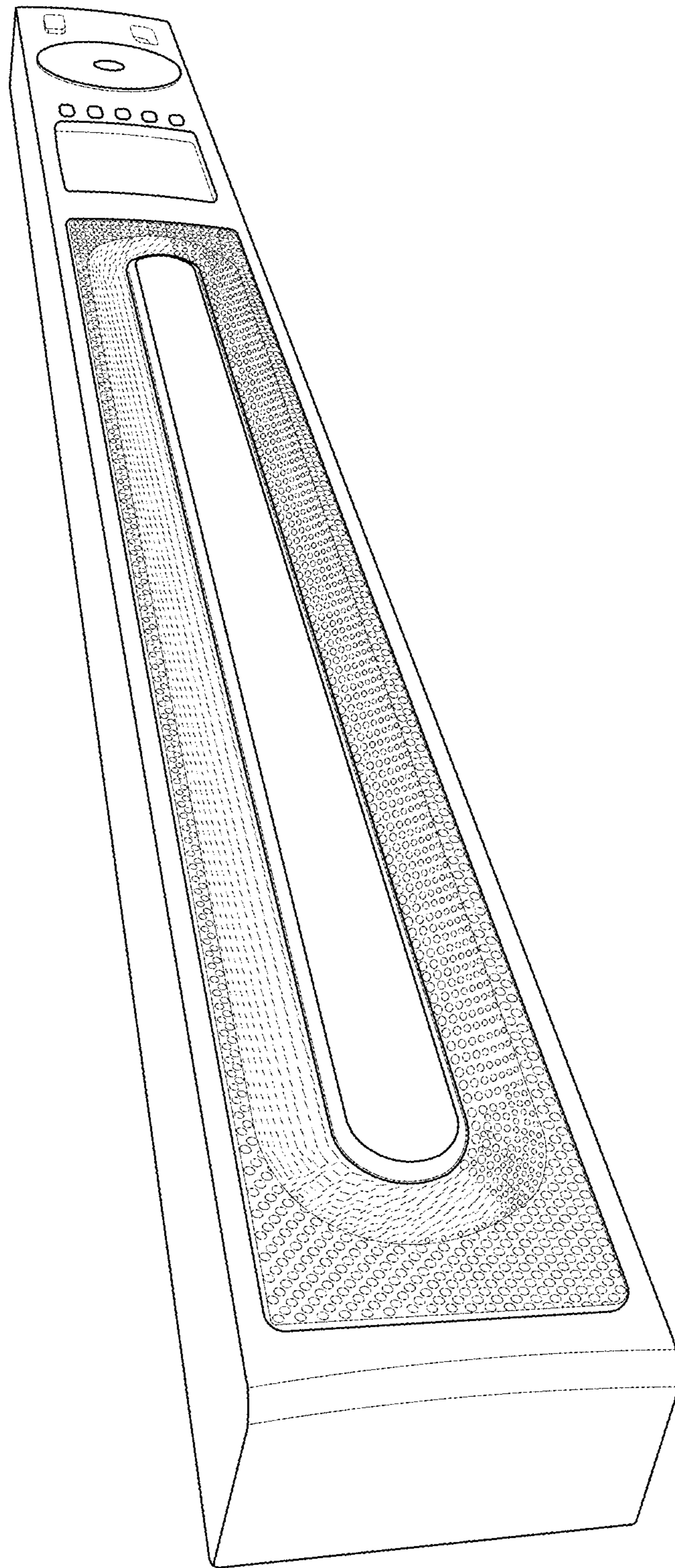


FIG. 8

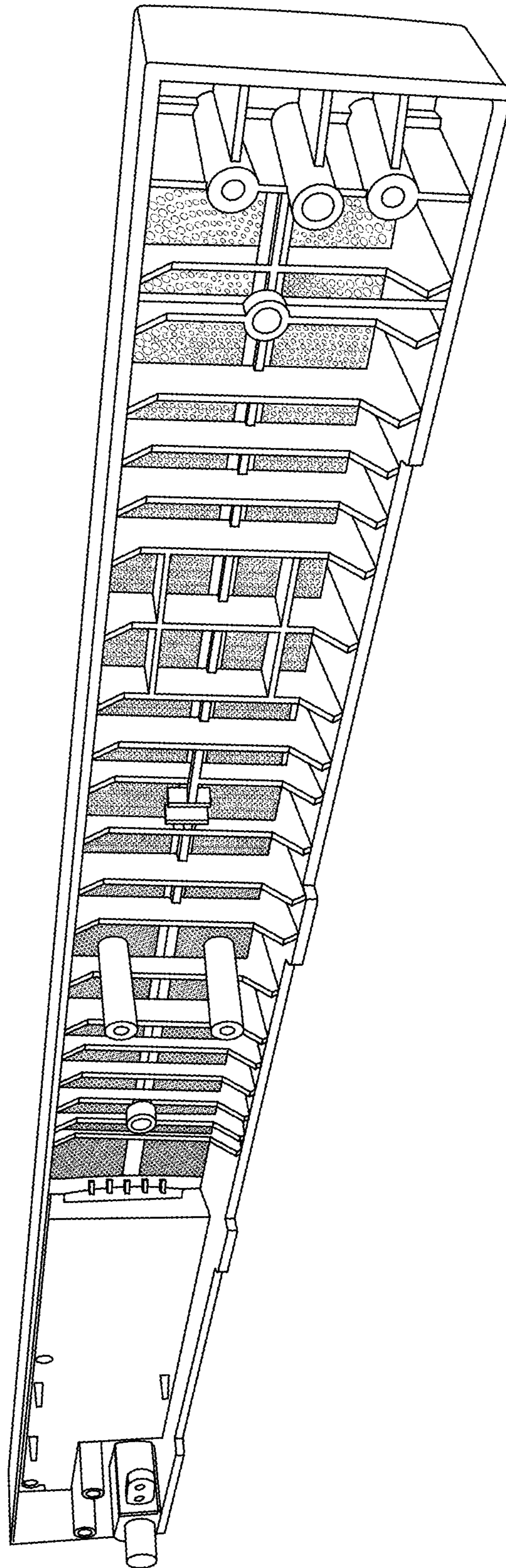


FIG. 9

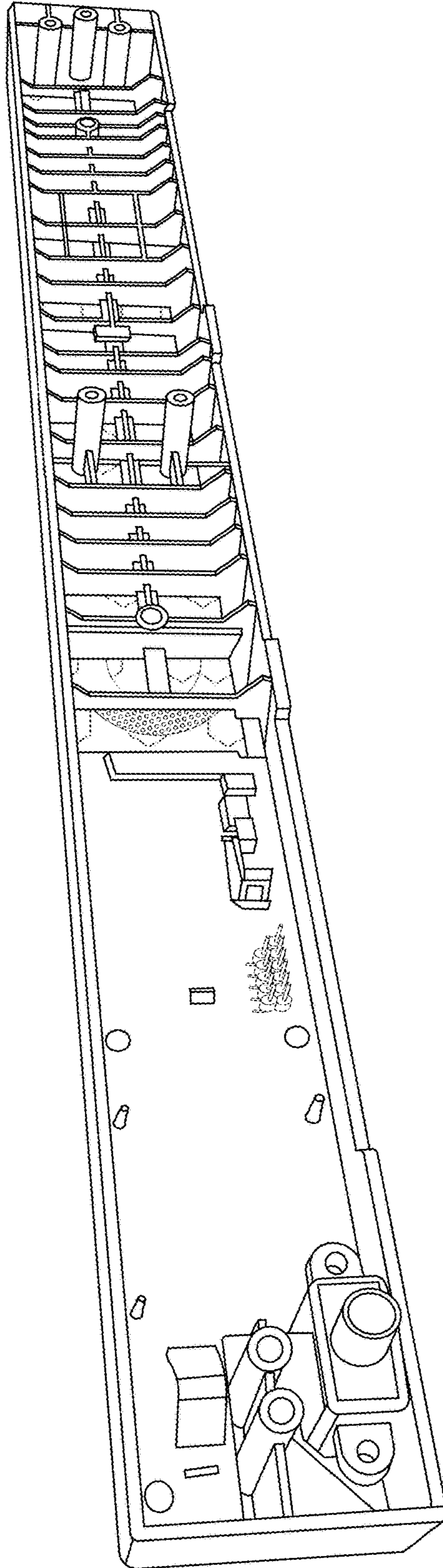


FIG. 10

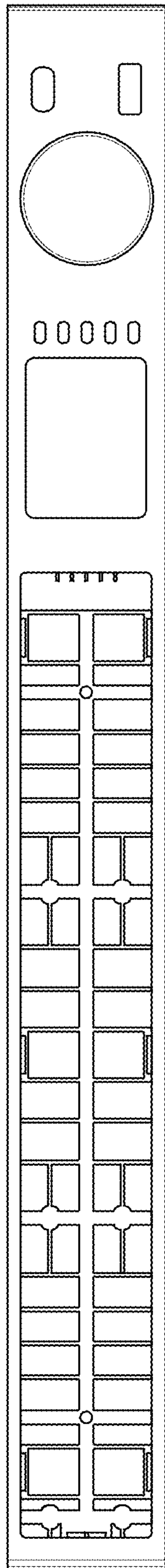


FIG. 11

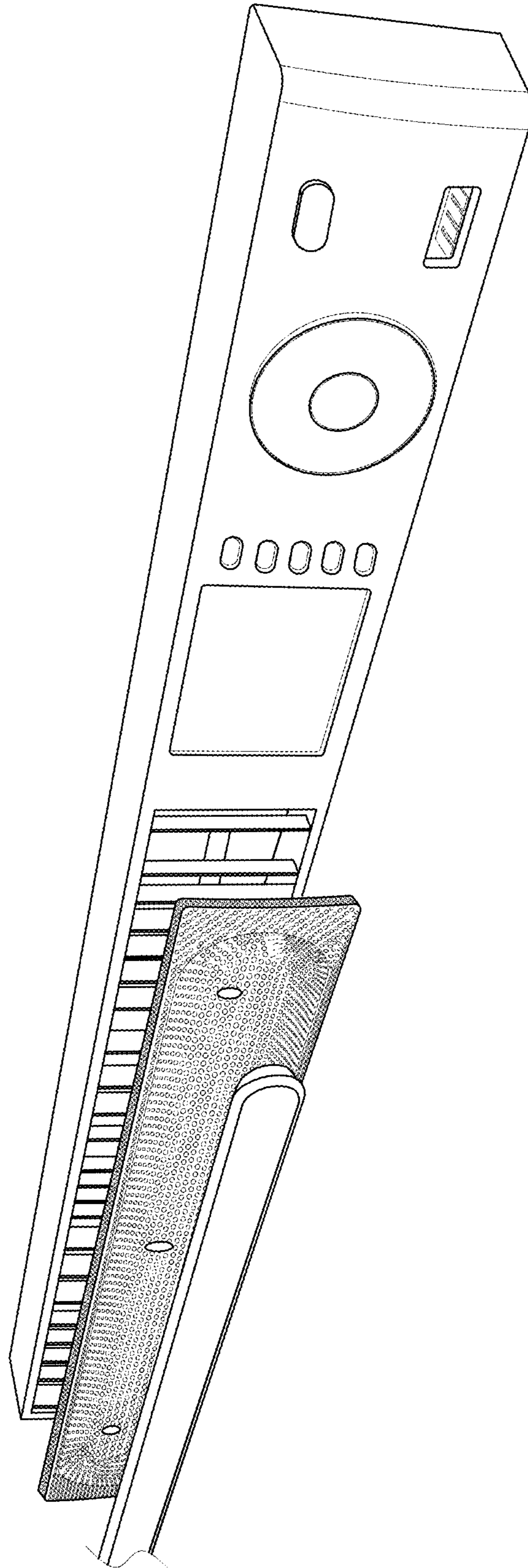


FIG. 12

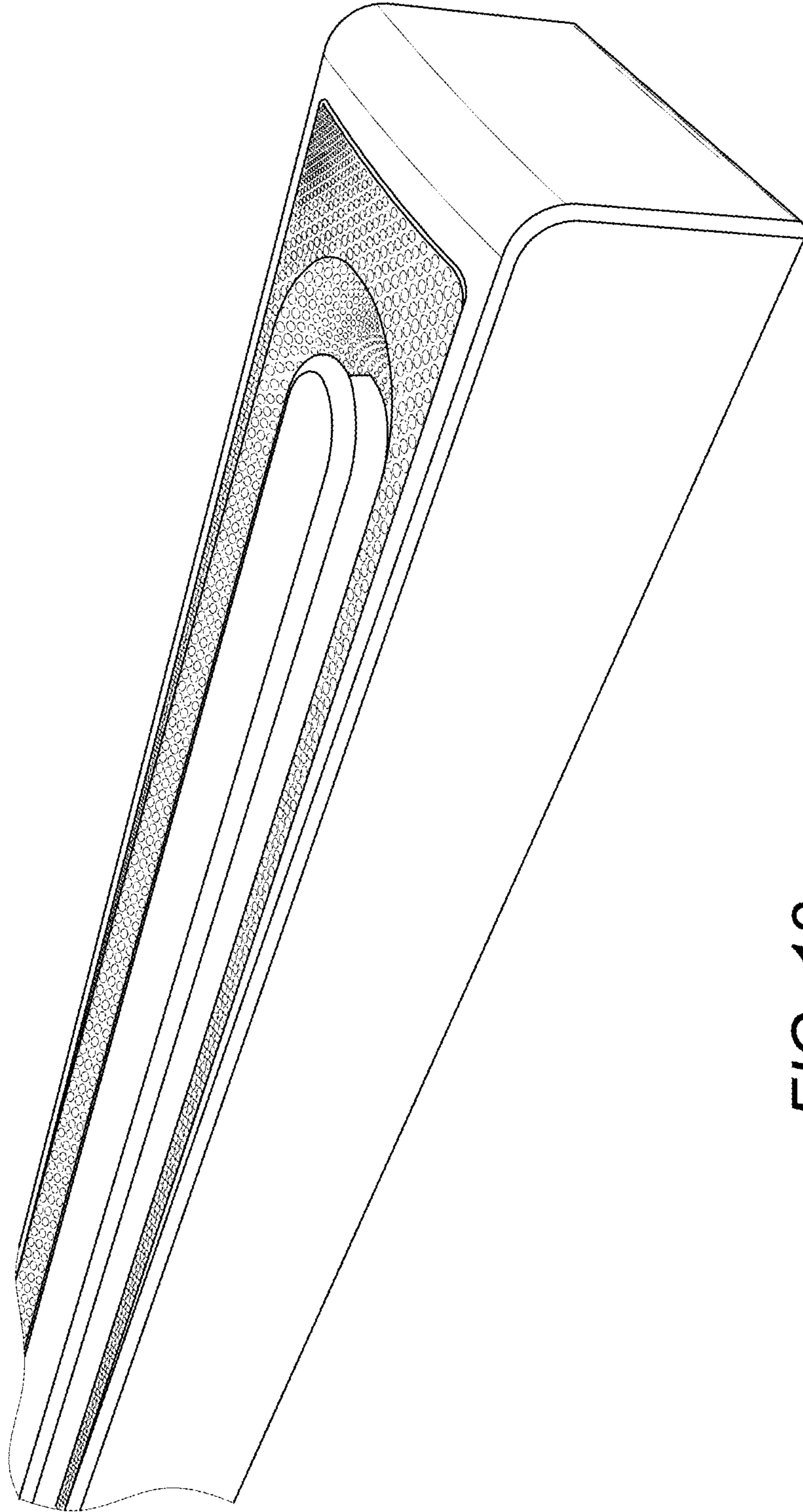


FIG. 13

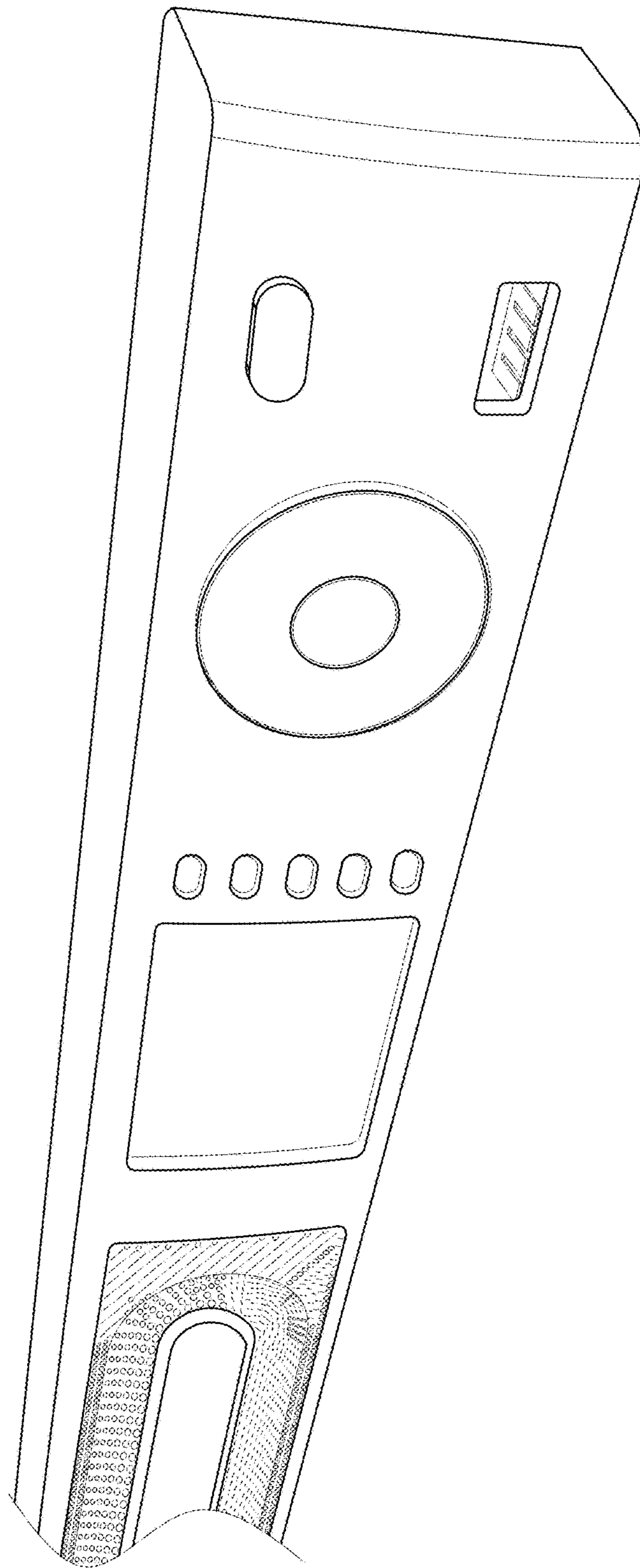


FIG. 14



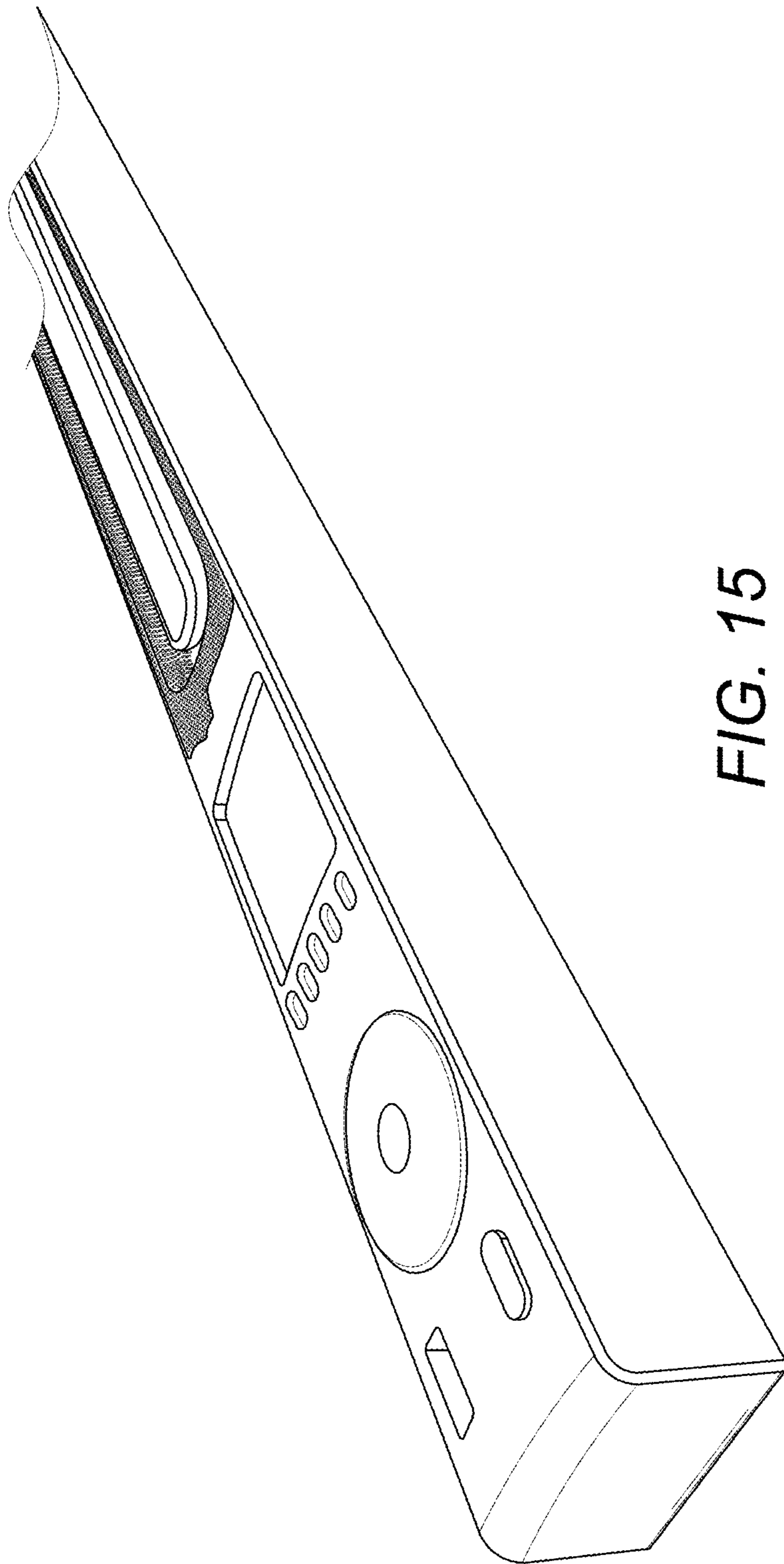


FIG. 15

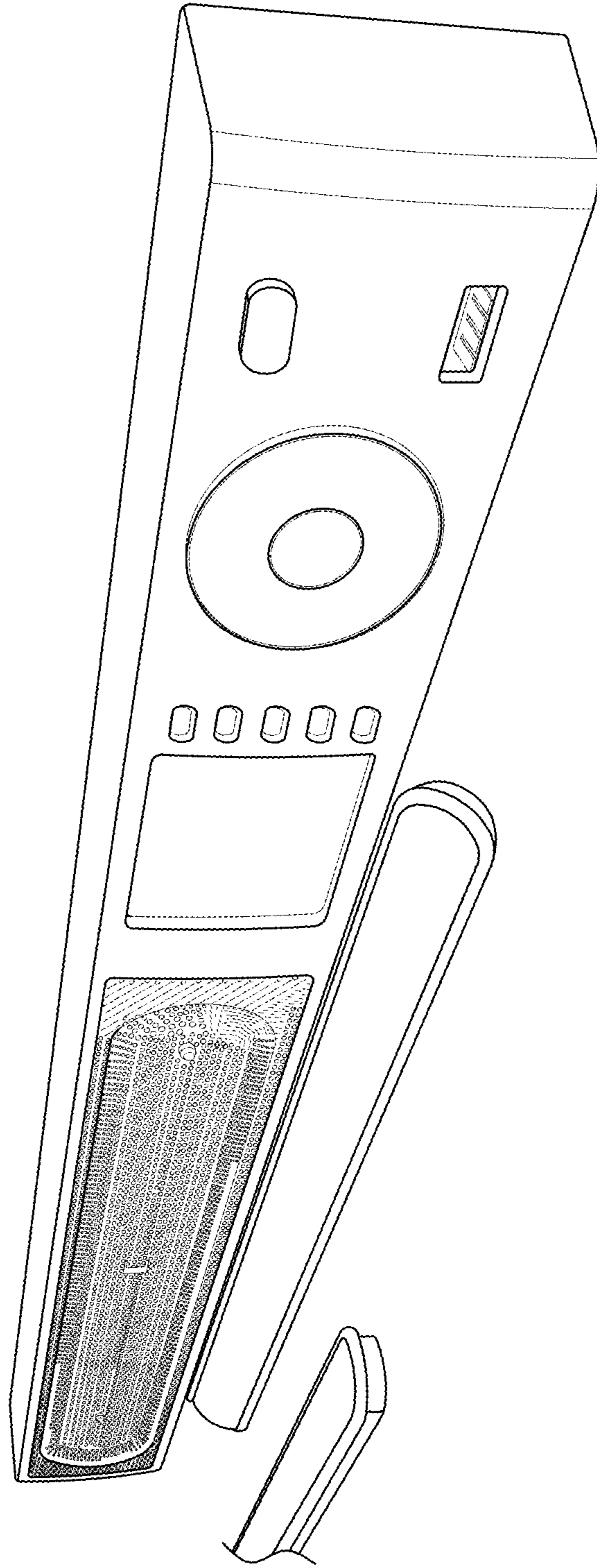


FIG. 16

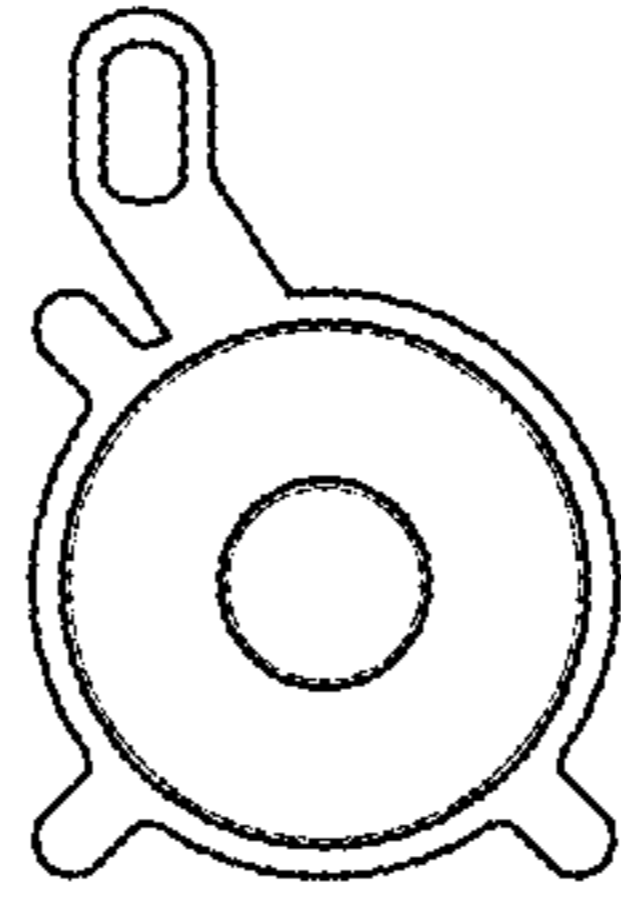


FIG. 18



FIG. 17