



US00D815608S

(12) **United States Design Patent**
Lin

(10) **Patent No.:** **US D815,608 S**
(45) **Date of Patent:** **** Apr. 17, 2018**

- (54) **PANEL**
- (71) Applicant: **CHYNG HONG ELECTRONIC CO., LTD.**, Taichung (TW)
- (72) Inventor: **Mu-Chun Lin**, Taichung (TW)
- (73) Assignee: **CHYNG HONG ELECTRONIC CO., LTD.**, Taichung (TW)
- (**) Term: **15 Years**
- (21) Appl. No.: **29/601,016**
- (22) Filed: **Apr. 18, 2017**
- (51) **LOC (11) Cl.** **13-03**
- (52) **U.S. Cl.**
USPC **D13/177**
- (58) **Field of Classification Search**
USPC D13/162, 164, 177, 184; D14/188, 240,
D14/257, 313, 441, 445
CPC H01H 13/83; H02G 3/14; H05K 7/0217;
H05K 7/432
See application file for complete search history.

- D659,108 S * 5/2012 Lin D13/177
- D659,653 S * 5/2012 Lin D13/177
- 8,410,362 B1 * 4/2013 Lin H02G 3/14
174/66
- D722,060 S * 2/2015 Kwon D14/445
- D770,396 S * 11/2016 Lin D13/177
- D771,577 S * 11/2016 Lin D13/177
- 2004/0228090 A1 * 11/2004 Blackwell H05K 7/1457
361/695
- 2004/0240177 A1 * 12/2004 Suzuki H05K 7/20581
361/695
- 2009/0021910 A1 * 1/2009 Lai H05K 7/20181
361/695
- 2013/0148297 A1 * 6/2013 Wei H05K 7/20727
361/695
- 2016/0285295 A1 * 9/2016 Marinov H05K 7/20909

* cited by examiner

Primary Examiner — Selina Sikder
(74) *Attorney, Agent, or Firm* — Ming Chow; Sinorica, LLC

(57) **CLAIM**

I claim the ornamental design for a panel, as shown and described.

(56) **References Cited**

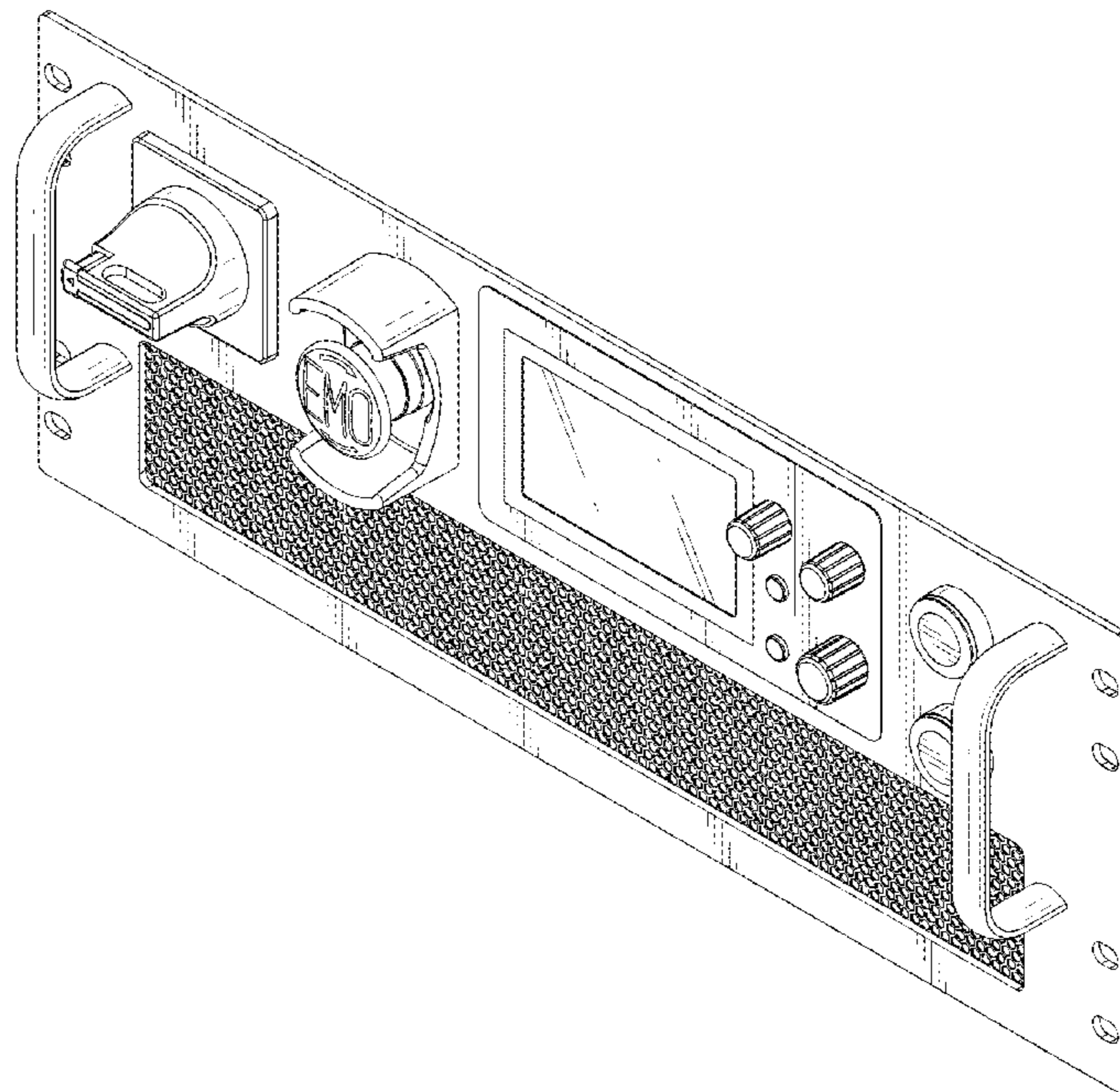
U.S. PATENT DOCUMENTS

- D359,496 S * 6/1995 Hirsbrunner D13/177
- D382,880 S * 8/1997 Cienkus D13/177
- D394,845 S * 6/1998 Hirsbrunner D13/184
- D395,654 S * 6/1998 Mackie D13/110
- D424,526 S * 5/2000 Yang D13/177
- 6,075,698 A * 6/2000 Hogan H05K 7/20581
165/104.34
- 6,714,411 B2 * 3/2004 Thompson H05K 7/20581
165/104.33
- D619,108 S * 7/2010 Lin D13/177

DESCRIPTION

FIG. 1 is a front perspective view of a panel showing my new design;
FIG. 2 is a front elevational view thereof;
FIG. 3 is a rear elevational view thereof;
FIG. 4 is a left side elevational view thereof;
FIG. 5 is a right side elevational view thereof;
FIG. 6 is a top plan view thereof; and,
FIG. 7 is a bottom plan view thereof.

1 Claim, 5 Drawing Sheets



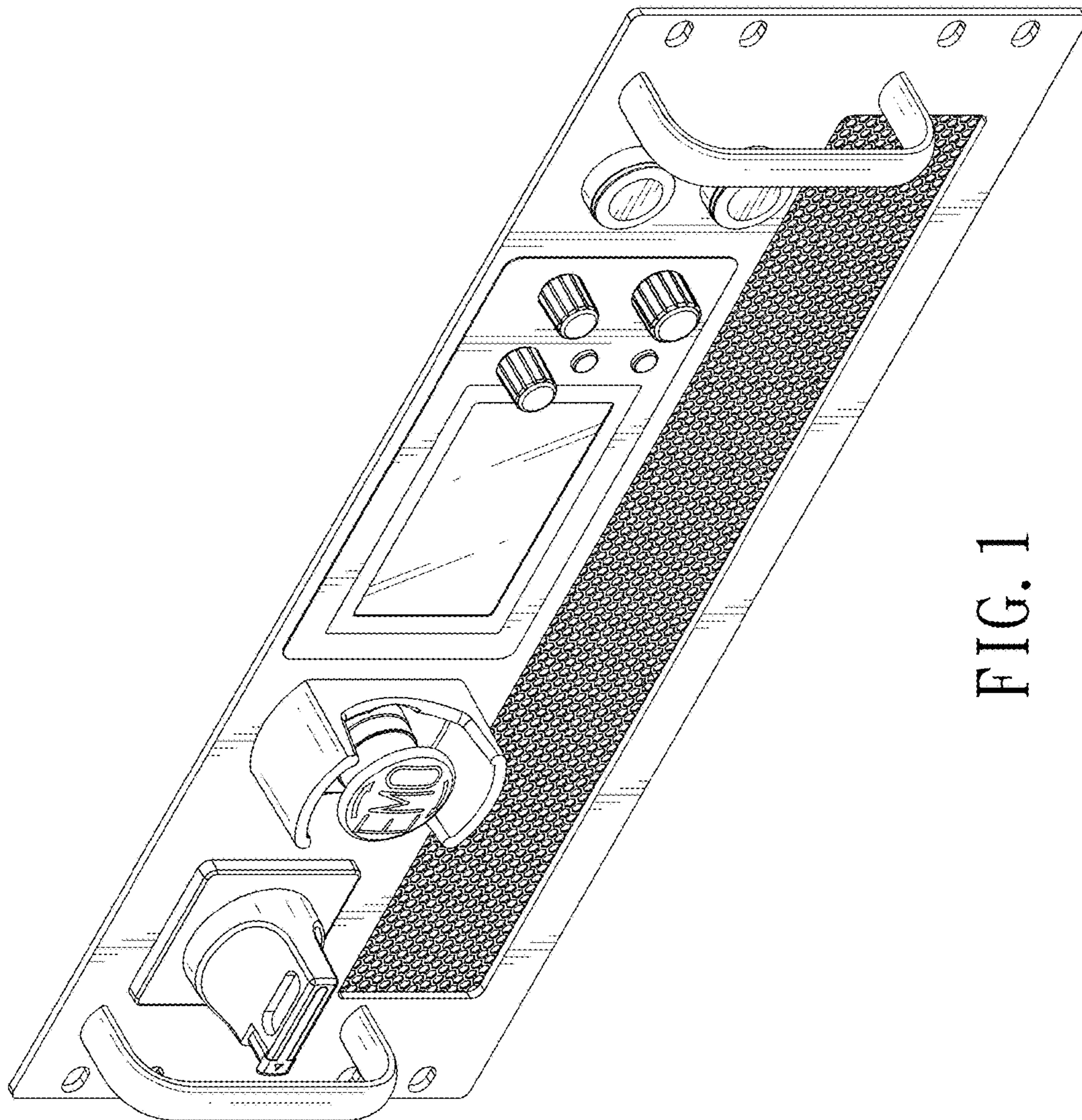


FIG. 1

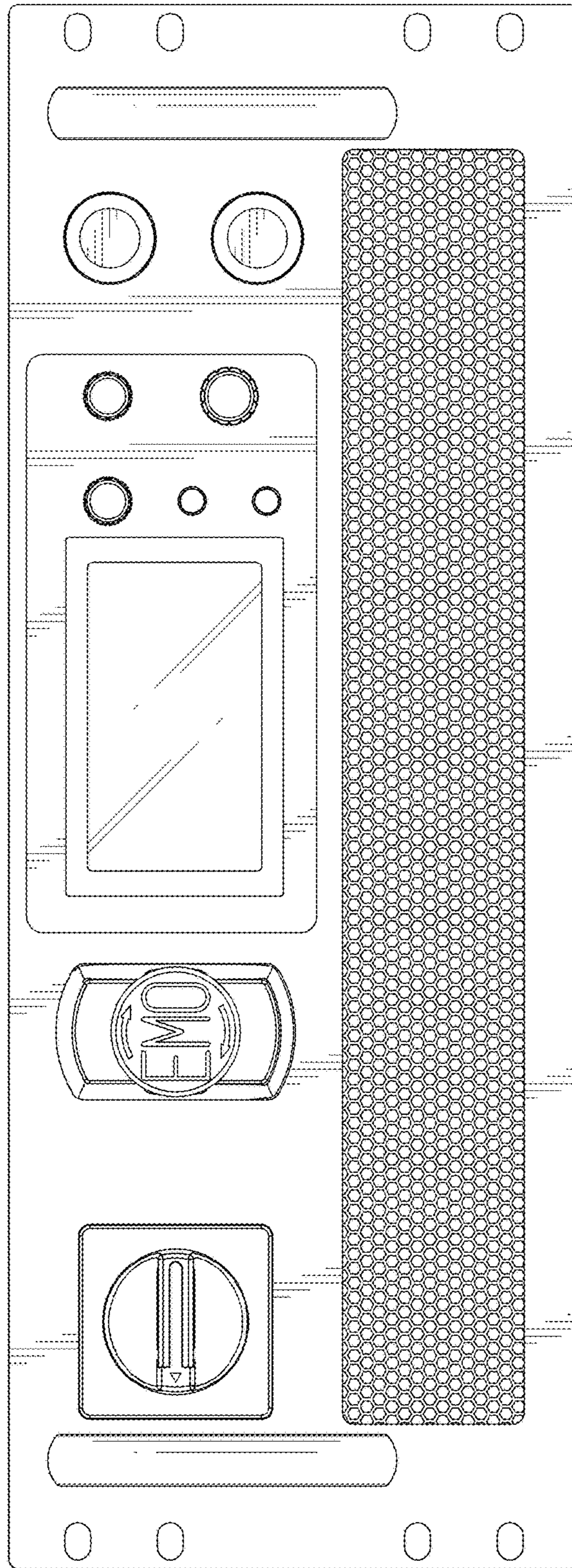


FIG. 2

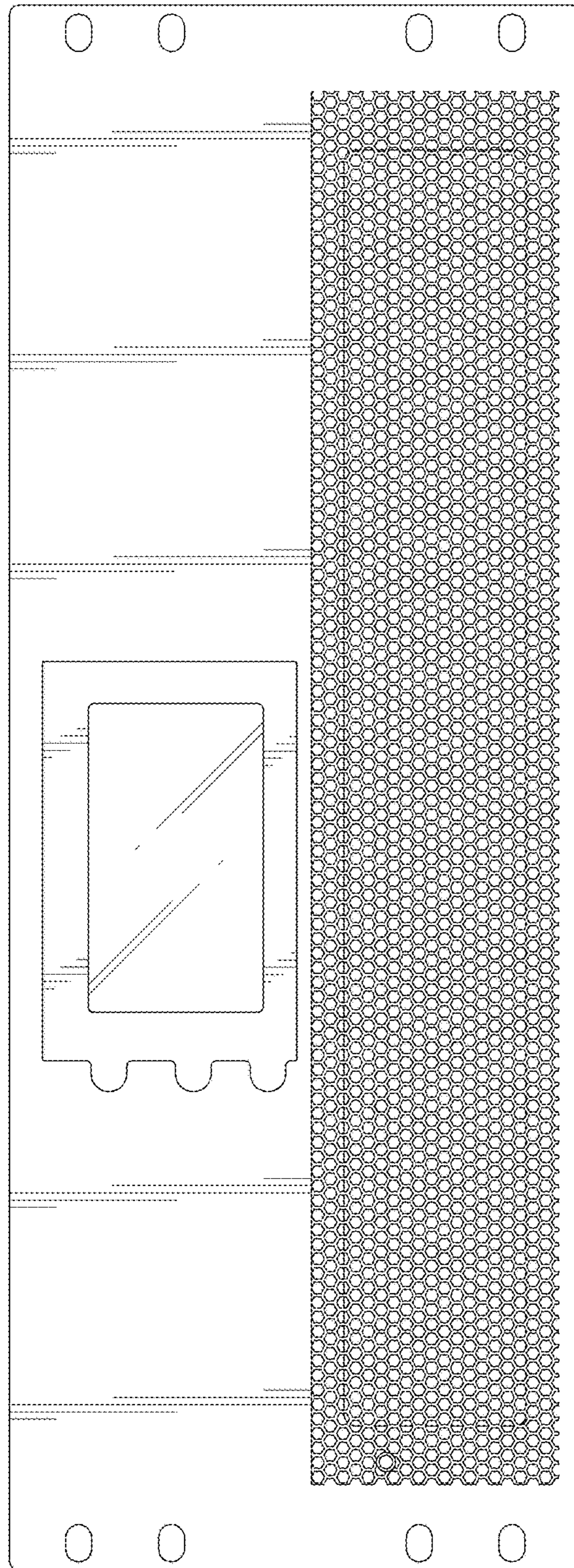


FIG. 3

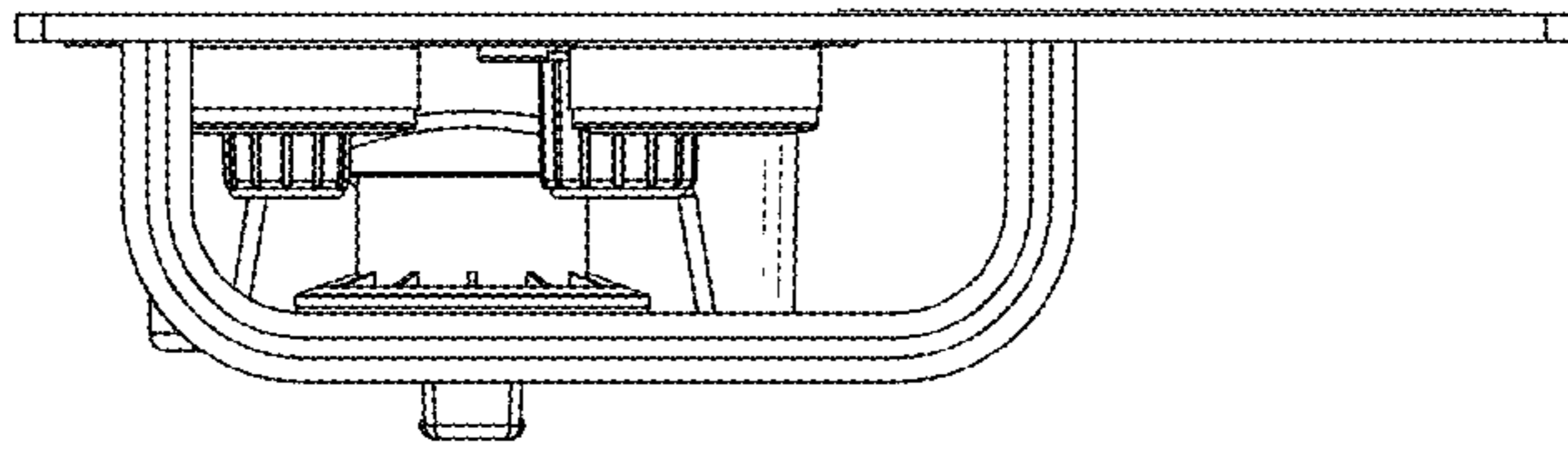


FIG. 5

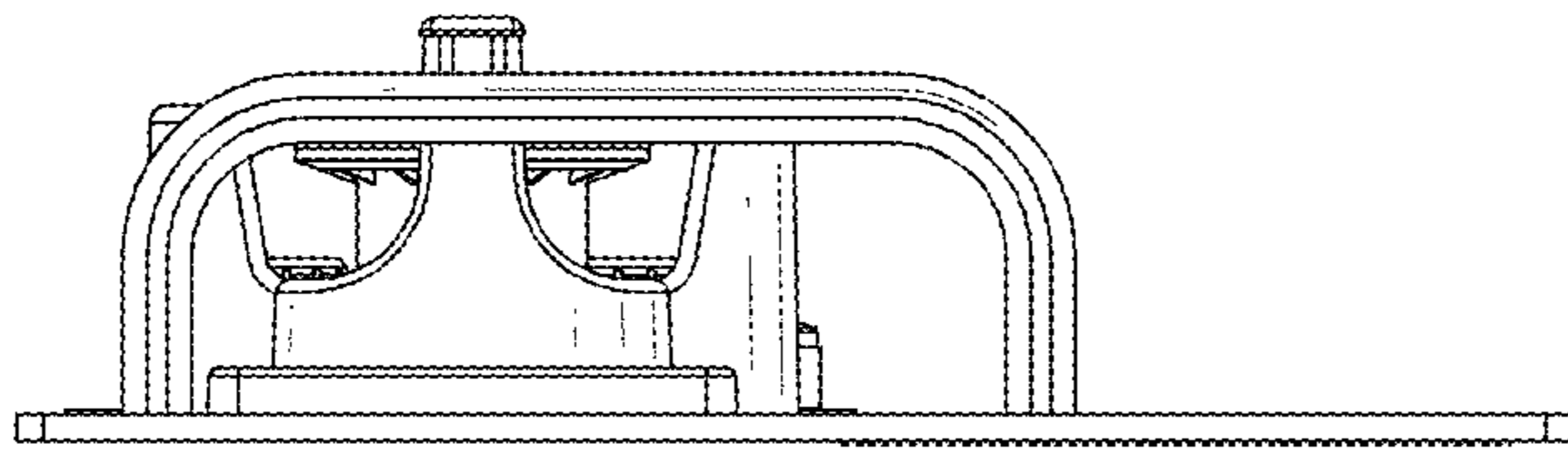


FIG. 4

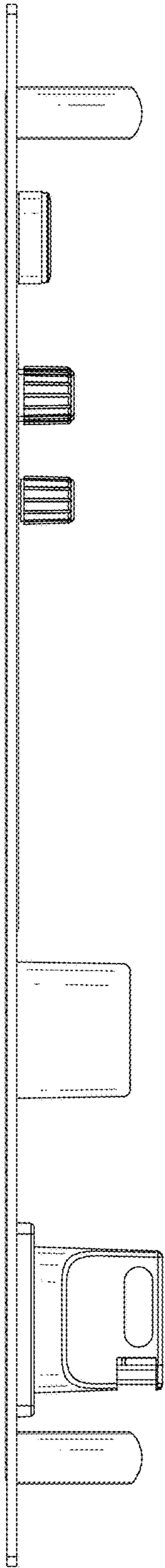


FIG. 6

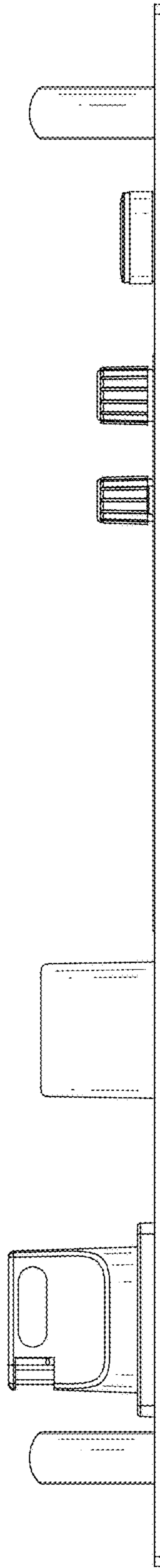


FIG. 7