



US00D815603S

(12) **United States Design Patent**  
**Koenig**

(10) **Patent No.:** **US D815,603 S**  
(45) **Date of Patent:** **\*\* Apr. 17, 2018**

- (54) **ELECTRONIC CABLE**
- (71) Applicant: **AP Specialties**, San Clemente, CA (US)
- (72) Inventor: **Aaron Koenig**, San Clemente, CA (US)
- (73) Assignee: **AP Specialties**, San Clemente, CA (US)
- (\*\*) Term: **15 Years**
- (21) Appl. No.: **29/584,821**
- (22) Filed: **Nov. 17, 2016**

- D684,539 S 6/2013 Akana et al.
- D684,976 S 6/2013 Akana et al.
- 8,461,465 B2 6/2013 Golko et al.
- 8,561,879 B2 10/2013 Jol et al.
- D694,243 S 11/2013 Akana et al.
- D699,188 S 2/2014 Akana et al.
- D703,145 S 4/2014 Akana et al.
- D705,176 S 5/2014 Akana et al.
- D705,178 S 5/2014 Olsson et al.
- D707,680 S 6/2014 Akana et al.
- D707,681 S 6/2014 Akana et al.
- D713,350 S 9/2014 Akana et al.
- D713,351 S 9/2014 Akana et al.
- D713,352 S 9/2014 Akana et al.

(Continued)

**Related U.S. Application Data**

- (63) Continuation of application No. 29/521,464, filed on Mar. 24, 2015, now Pat. No. Des. 773,400.
- (51) **LOC (11) Cl.** ..... **13-03**
- (52) **U.S. Cl.**  
USPC ..... **D13/153**
- (58) **Field of Classification Search**  
USPC ..... D13/153, 107, 123, 128, 130, 132, 133, D13/137.1, 137.2, 137.4, 139.1, 139.3, D13/139.4, 139.6, 139.7, 139.8, 164; D7/300.2; D14/205, 228; D5/99; 174/28, 36, 93, 71 R, 102 R, 106 R, 107, 174/116, 117 F, 121 R, 121 SR; 428/592  
CPC ..... H01R 13/7036; H02G 3/14; F21S 4/001  
See application file for complete search history.

(56) **References Cited**

**U.S. PATENT DOCUMENTS**

- D548,700 S 8/2007 Ledbetter et al.
- D586,752 S 2/2009 Diamond et al.
- D586,753 S 2/2009 Diamond et al.
- D593,954 S 6/2009 Lee et al.
- D628,537 S 12/2010 Nagata et al.
- D635,930 S 4/2011 Li et al.
- D636,337 S 4/2011 Smith et al.
- D676,389 S \* 2/2013 Worth ..... D13/147
- D679,656 S 4/2013 Richards et al.

**FOREIGN PATENT DOCUMENTS**

WO 2011150403 A1 12/2011

*Primary Examiner* — Wan Laymon

*Assistant Examiner* — Mark Booker

(74) *Attorney, Agent, or Firm* — Lerner, David, Littenberg, Krumholz & Mentlik, LLP

(57) **CLAIM**

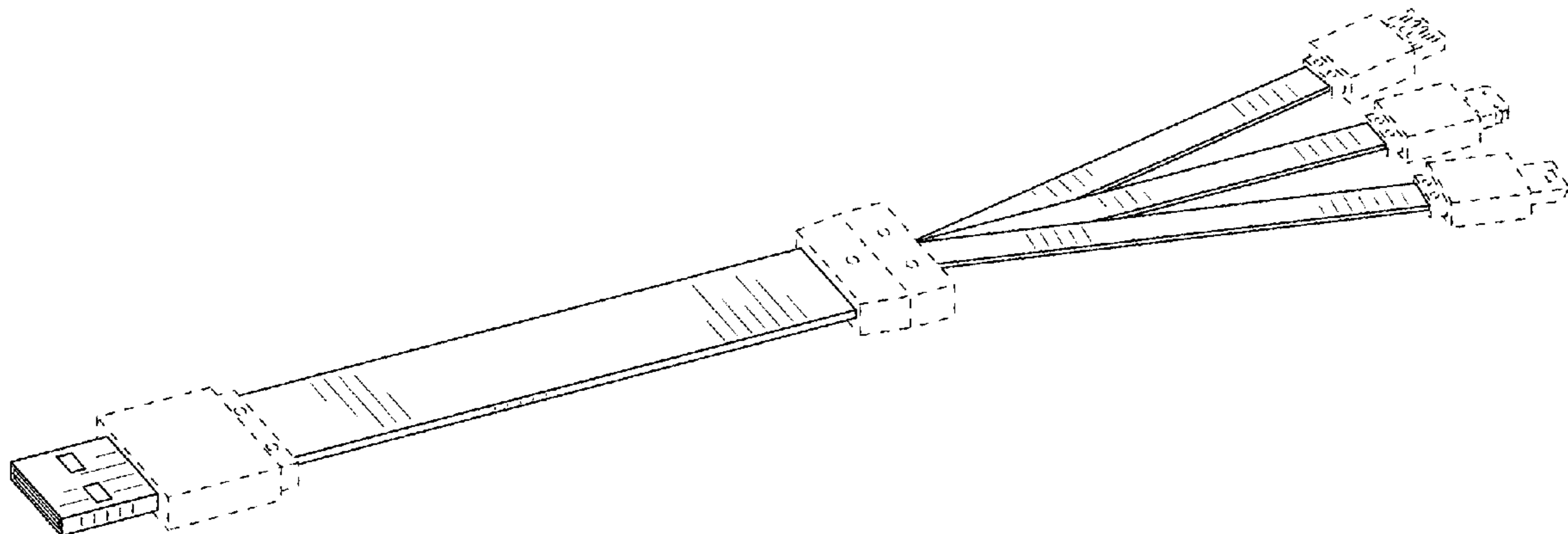
The ornamental design for an electronic cable, as shown and described.

**DESCRIPTION**

FIG. 1 is a perspective view of an electronic cable showing my design;  
 FIG. 2 is a left side view thereof;  
 FIG. 3 is a right side view thereof;  
 FIG. 4 is a front side view thereof;  
 FIG. 5 is a back side view thereof;  
 FIG. 6 is a top view thereof; and,  
 FIG. 7 is a bottom view thereof.

The broken lines shown in the drawings represent portions of the electronic cable that form no part of the claimed design.

**1 Claim, 3 Drawing Sheets**



(56)

**References Cited**

U.S. PATENT DOCUMENTS

D713,353 S	9/2014	Akana et al.	
D715,741 S	10/2014	Dallmeyer et al.	
D716,234 S	10/2014	Tien	
D723,474 S	3/2015	Olsson et al.	
D728,485 S	5/2015	Rostami	
D743,965 S	11/2015	Laffon de Mazieres et al.	
D745,464 S	12/2015	Koenig	
D745,851 S	12/2015	Beck et al.	
D746,781 S *	1/2016	Dang .....	D13/153
D757,649 S	5/2016	Pisharodi	
D773,400 S *	12/2016	Koenig .....	D13/153
D773,401 S *	12/2016	Koenig .....	D13/153
D774,468 S *	12/2016	Ewing .....	D13/153
2014/0136863 A1	5/2014	Fritchman et al.	

\* cited by examiner

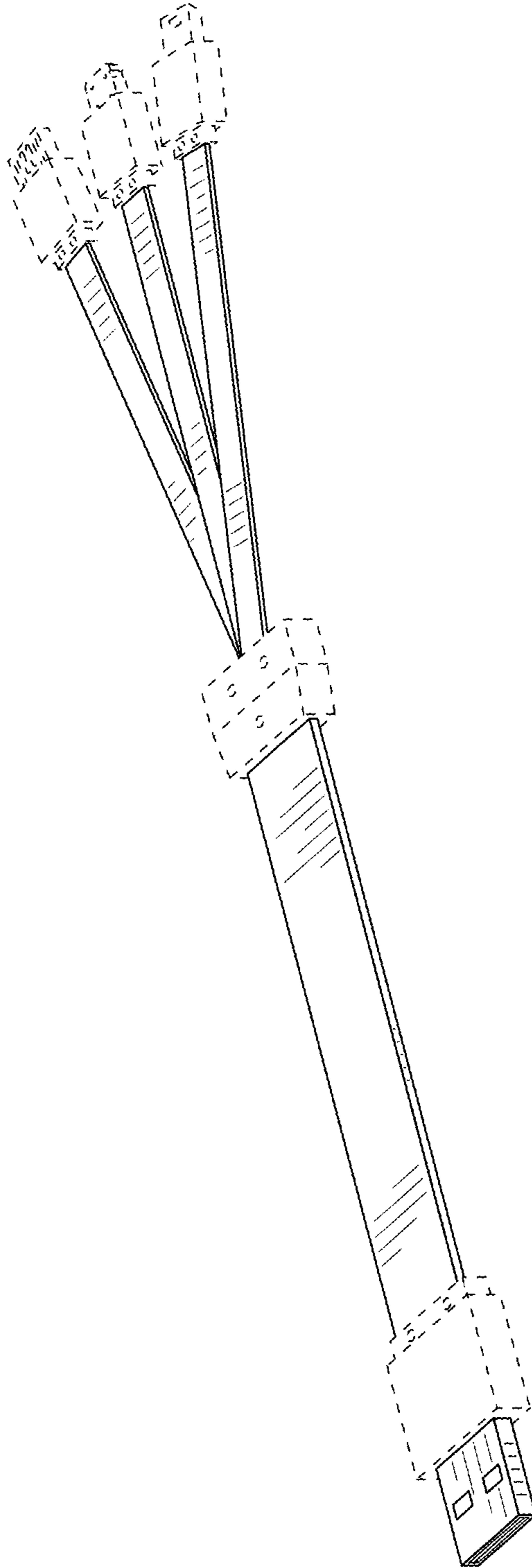


FIG. 1

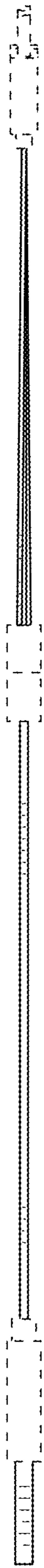


FIG. 2

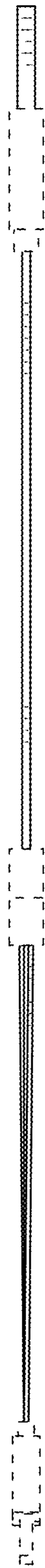


FIG. 3



FIG. 4

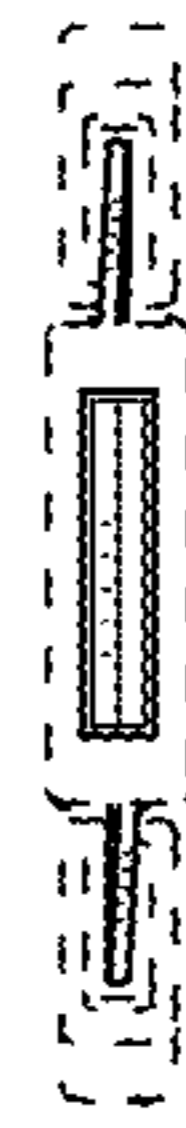


FIG. 5

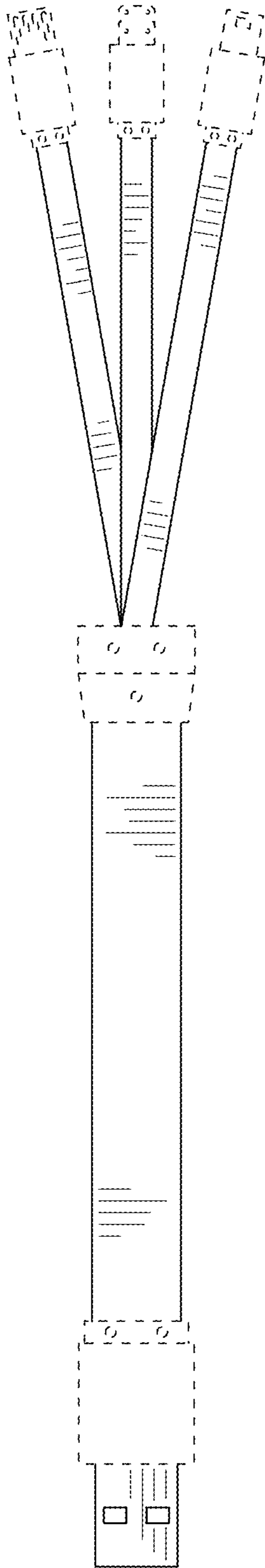


FIG. 6

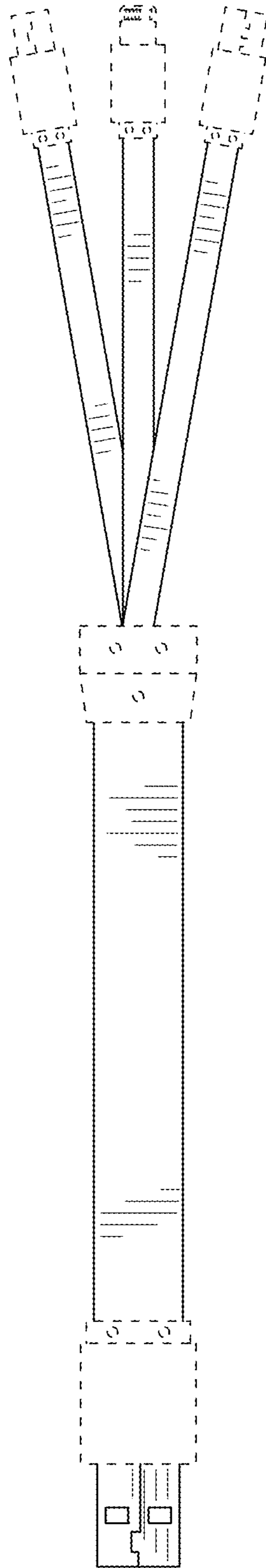


FIG. 7