



US00D815600S

(12) **United States Design Patent**
Matsuoka et al.

(10) **Patent No.:** **US D815,600 S**
(45) **Date of Patent:** **** Apr. 17, 2018**

(54) **POWER AND DATA CONNECTOR**

(71) Applicant: **Google LLC**, Mountain View, CA (US)

(72) Inventors: **Yoshimichi Matsuoka**, Sunnyvale, CA (US); **Jeffrey Hayashida**, San Francisco, CA (US)

(73) Assignee: **Google LLC**, Mountain View, CA (US)

(**) Term: **15 Years**

(21) Appl. No.: **29/560,561**

(22) Filed: **Apr. 7, 2016**

Related U.S. Application Data

(63) Continuation of application No. 29/492,809, filed on Jun. 3, 2014.

(51) **LOC (11) Cl.** **13-03**

(52) **U.S. Cl.**
USPC **D13/147**

(58) **Field of Classification Search**
USPC D13/133, 146, 147, 154, 156, 184, 199;
D14/432, 433, 434, 435.1, 438

(Continued)

(56) **References Cited**

U.S. PATENT DOCUMENTS

D333,293 S 2/1993 Ashida
D484,137 S 12/2003 Wikel et al.

(Continued)

FOREIGN PATENT DOCUMENTS

JP D1268980 3/2006
JP H23401831 2/2011

(Continued)

Primary Examiner — Daniel Bui

(74) *Attorney, Agent, or Firm* — Lerner, David, Littenberg, Krumholz & Mentlik, LLP

(57) **CLAIM**

The ornamental design for a power and data connector, as shown and described.

DESCRIPTION

FIG. 1 is a perspective view of a power and data connector according to a first embodiment of our design;

FIG. 2 is a front elevation view thereof;

FIG. 3 is a back elevation view thereof;

FIG. 4 is a left side elevation view thereof;

FIG. 5 is a right side elevation view thereof;

FIG. 6 is a top elevation view thereof;

FIG. 7 is a bottom elevation view thereof;

FIG. 8 is a perspective view of a power and data connector according to a second embodiment of our design;

FIG. 9 is a front elevation view thereof;

FIG. 10 is a back elevation view thereof;

FIG. 11 is a left side elevation view thereof;

FIG. 12 is a right side elevation view thereof;

FIG. 13 is a top elevation view thereof;

FIG. 14 is a bottom elevation view thereof;

FIG. 15 is a perspective view of a power and data connector according to a third embodiment of our design;

FIG. 16 is a front elevation view thereof;

FIG. 17 is a back elevation view thereof;

FIG. 18 is a left side elevation view thereof;

FIG. 19 is a right side elevation view thereof;

FIG. 20 is a top elevation view thereof;

FIG. 21 is a bottom elevation view thereof;

FIG. 22 is a perspective view of a power and data connector according to a fourth embodiment of our design;

FIG. 23 is a front elevation view thereof;

FIG. 24 is a back elevation view thereof;

FIG. 25 is a left side elevation view thereof;

FIG. 26 is a right side elevation view thereof;

FIG. 27 is a top elevation view thereof;

FIG. 28 is a bottom elevation view thereof;

FIG. 29 is a perspective view of a power and data connector according to a fifth embodiment of our design;

FIG. 30 is a front elevation view thereof;

FIG. 31 is a back elevation view thereof;

FIG. 32 is a left side elevation view thereof;

FIG. 33 is a right side elevation view thereof;

(Continued)

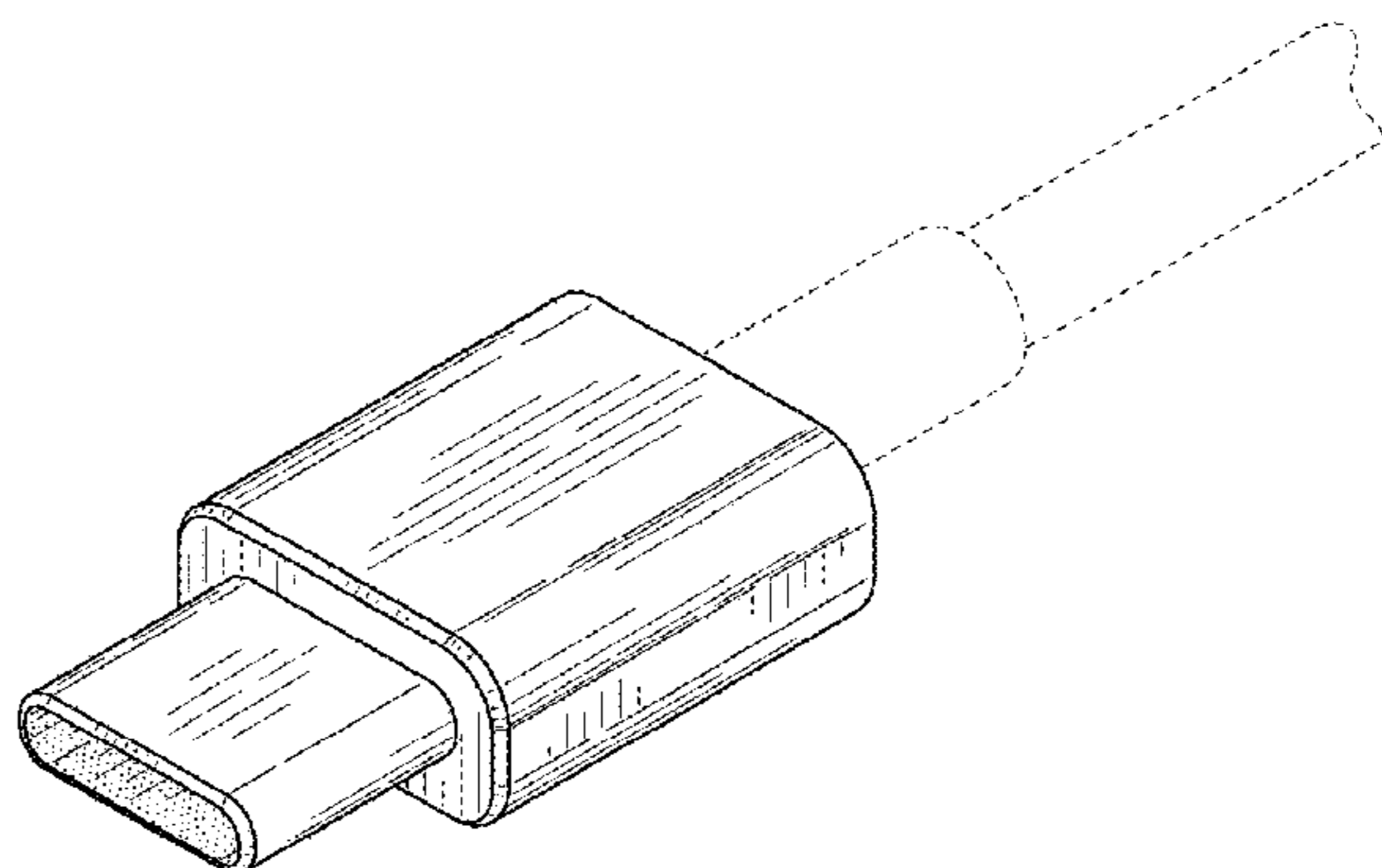
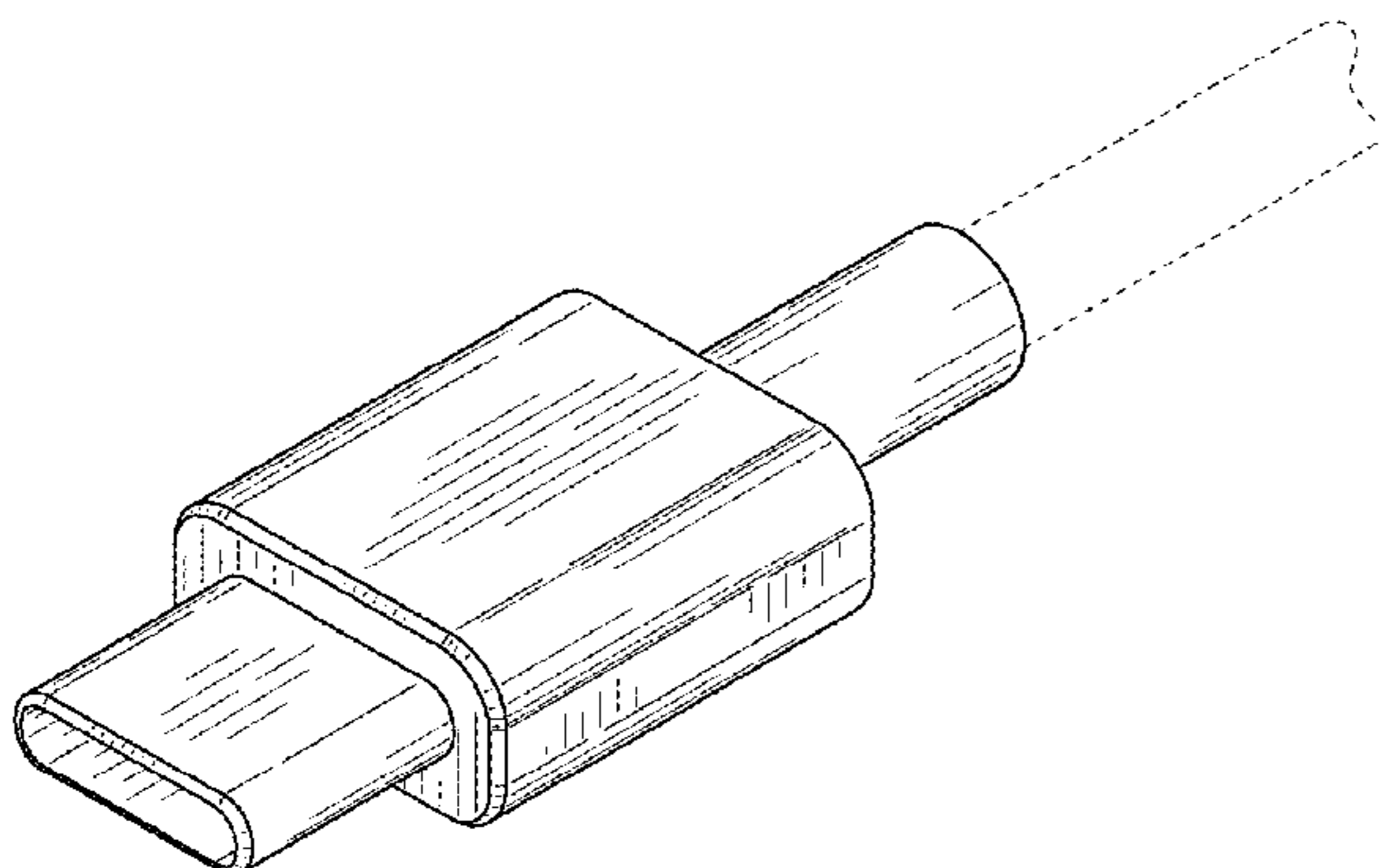


FIG. 34 is a top elevation view thereof;
 FIG. 35 is a bottom elevation view thereof;
 FIG. 36 is a perspective view of a power and data connector according to a sixth embodiment of our design;
 FIG. 37 is a front elevation view thereof;
 FIG. 38 is a back elevation view thereof;
 FIG. 39 is a left side elevation view thereof;
 FIG. 40 is a right side elevation view thereof;
 FIG. 41 is a top elevation view thereof; and,
 FIG. 42 is a bottom elevation view thereof.
 Broken lines are environmental only and form no part of the claimed design.
 Stipple-fill areas represent portions of the design that have a color that contrasts with color of the non-stipple filled areas.

1 Claim, 18 Drawing Sheets

(58) **Field of Classification Search**

CPC H01R 9/03; H01R 12/81; H01R 23/661;
 H01R 24/60; H01R 24/62; H01R 24/64;
 H01R 27/00; H01R 43/00; H01R 43/24;
 H01R 13/03; H01R 13/17; H01R 13/405;
 H01R 13/502; H01R 13/5837; H01R
 13/595; H01R 13/6271; H01R 13/6275
 See application file for complete search history.

(56)

References Cited

U.S. PATENT DOCUMENTS

D515,035 S	2/2006	Li et al.
D516,030 S	2/2006	Han et al.
D544,443 S	6/2007	Yang et al.
D588,995 S	3/2009	Wu et al.
D589,453 S	3/2009	Zhao et al.
D600,652 S	9/2009	Hong et al.
D602,440 S	10/2009	Wu et al.
D612,809 S	3/2010	Zhao et al.
D621,360 S	8/2010	Kondo
D626,512 S	11/2010	Lin
D636,337 S	4/2011	Smith et al.
D676,389 S	2/2013	Worth et al.
D713,795 S	9/2014	Yang
D744,428 S	12/2015	Rodriguez et al.
2015/0044886 A1	2/2015	Little et al.
2015/0331826 A1	11/2015	Ghosh et al.
2015/0333451 A1	11/2015	Kao et al.

FOREIGN PATENT DOCUMENTS

JP	D1475077	7/2013
TW	D143934	12/2011
TW	D157157	11/2013

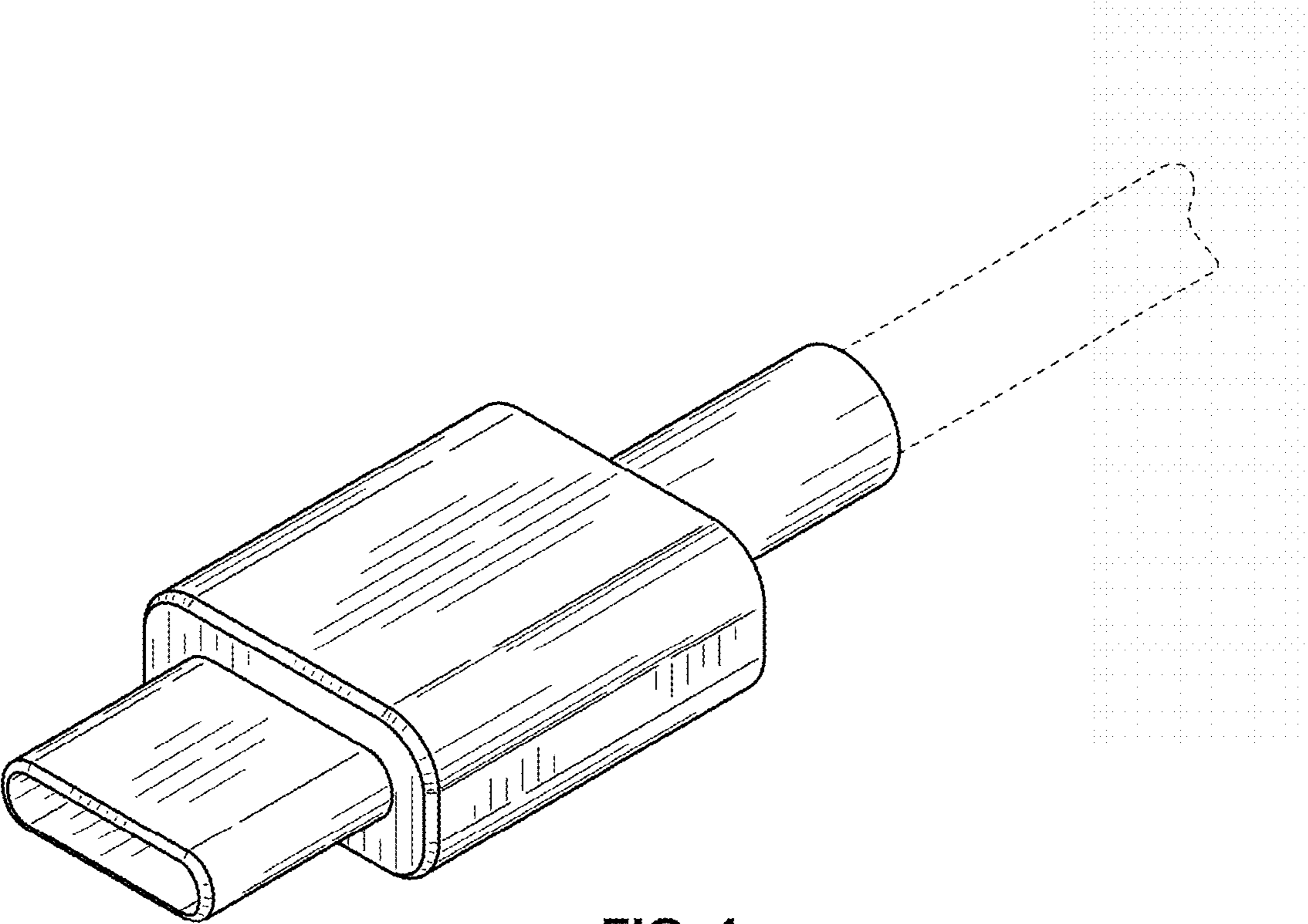


FIG. 1

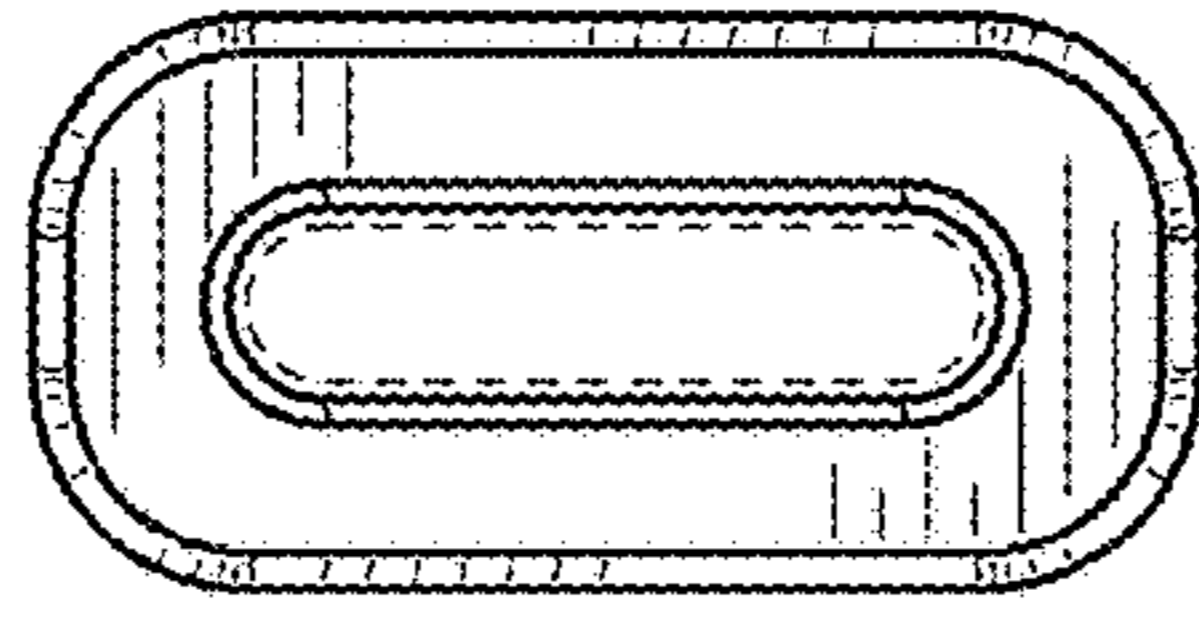


FIG. 2

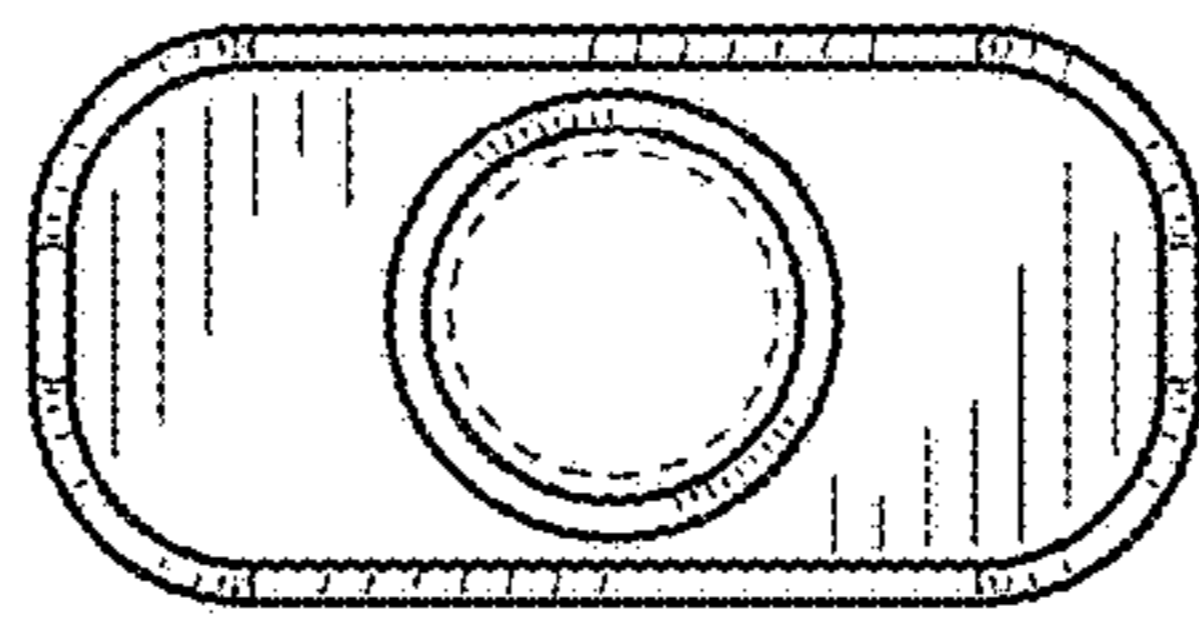


FIG. 3

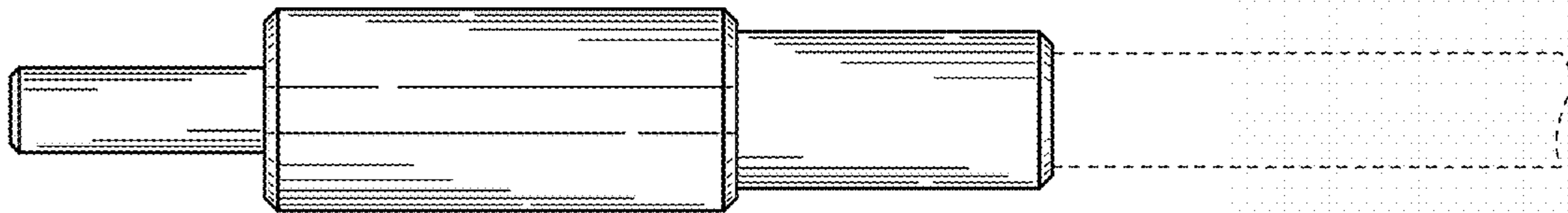


FIG. 4

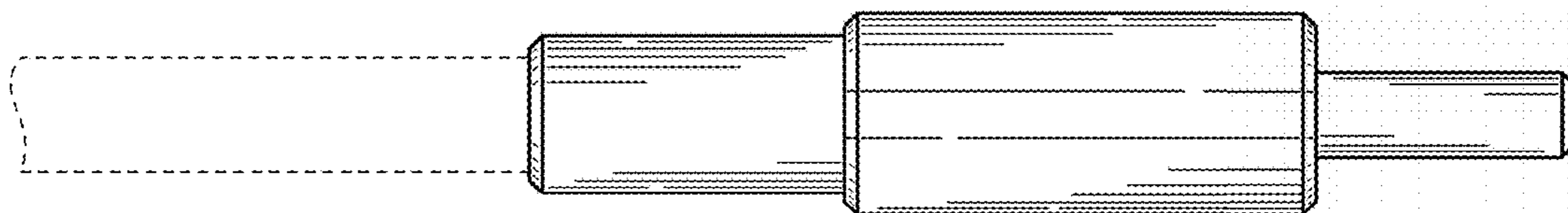


FIG. 5

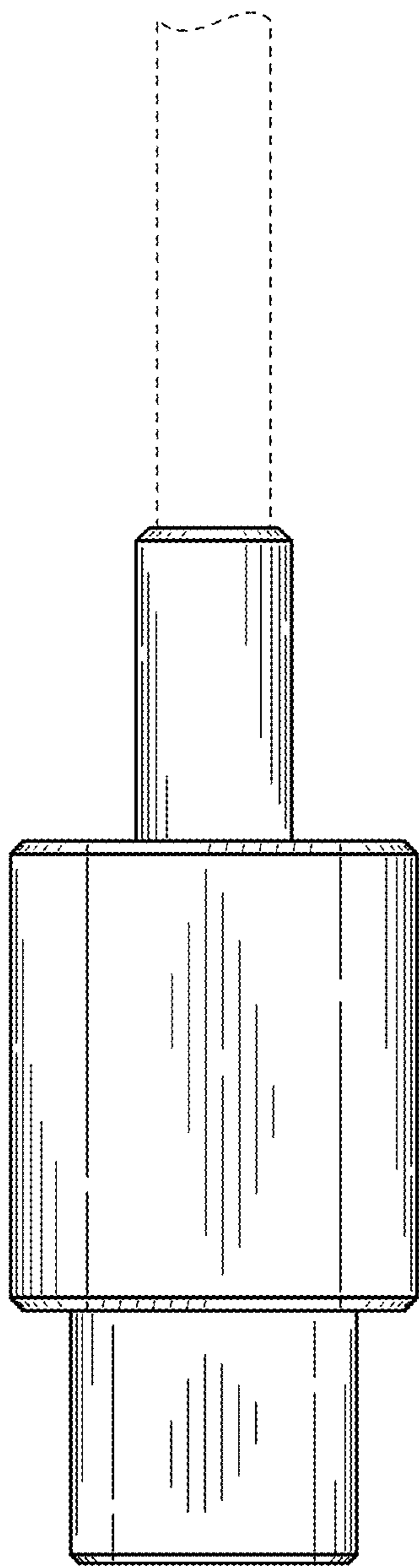


FIG. 6

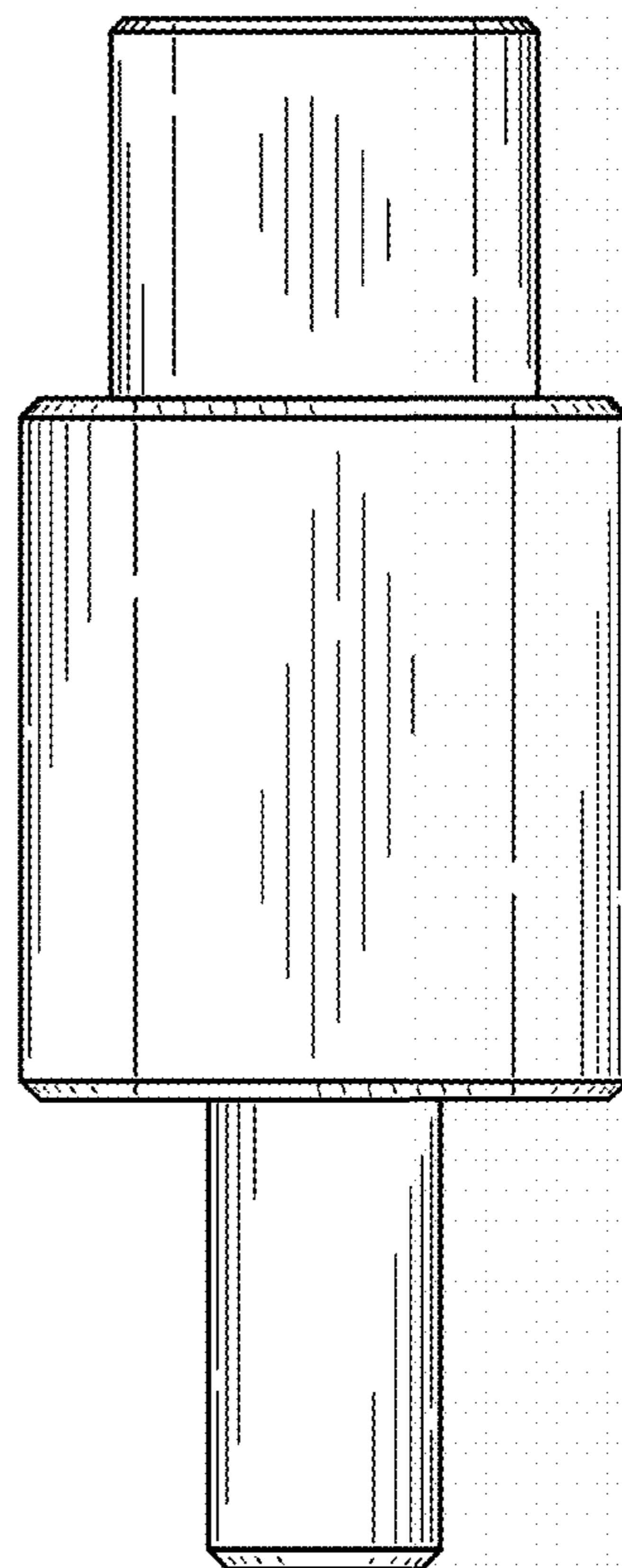


FIG. 7

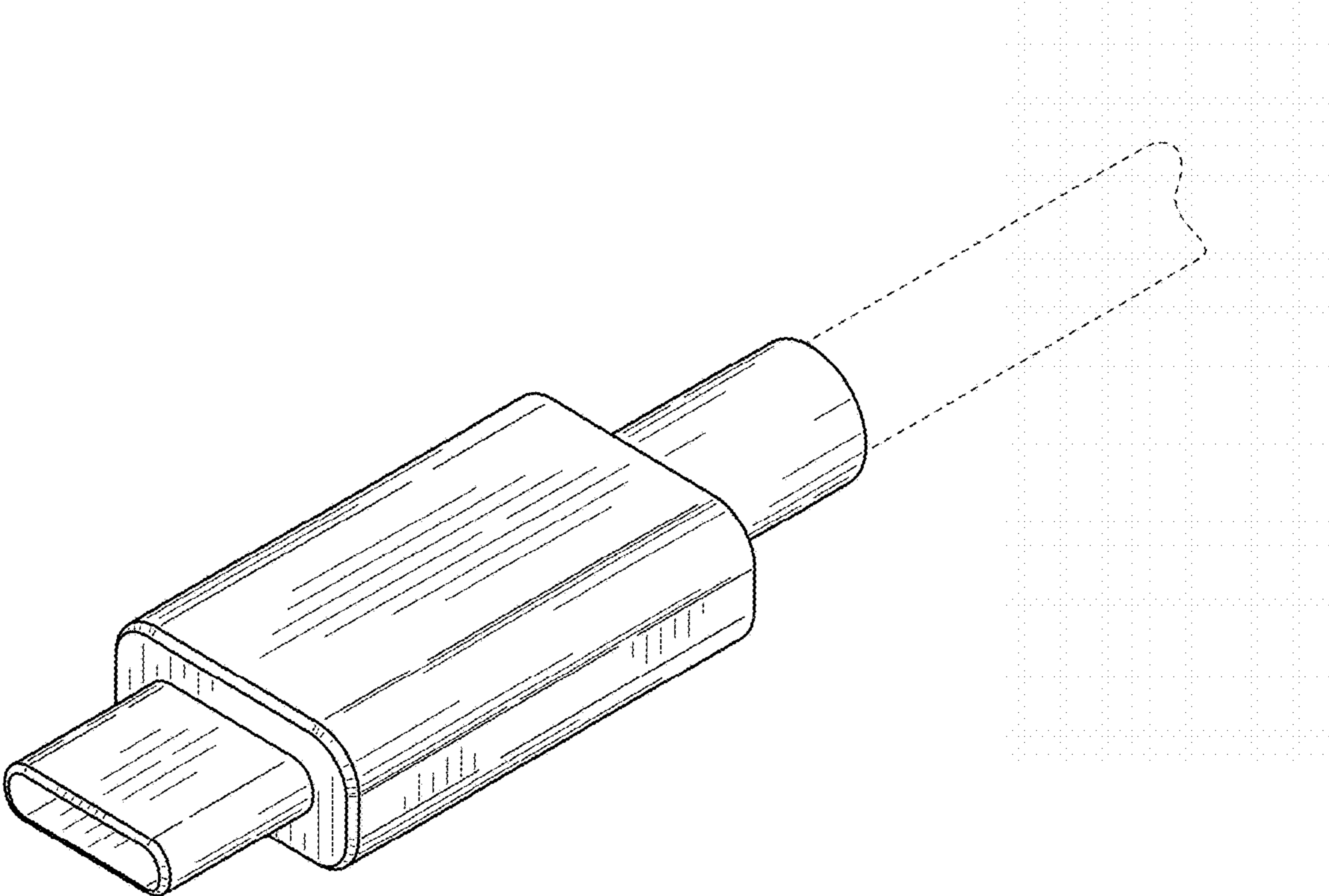


FIG. 8

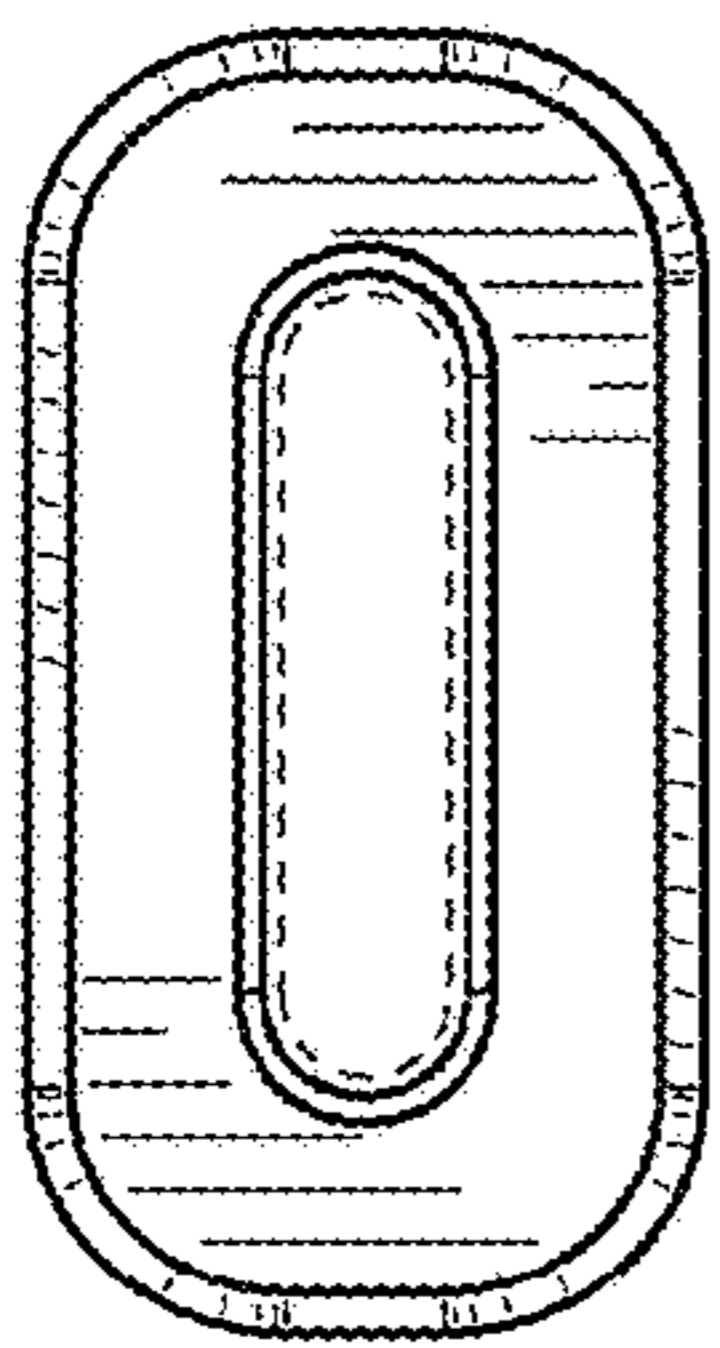


FIG. 9

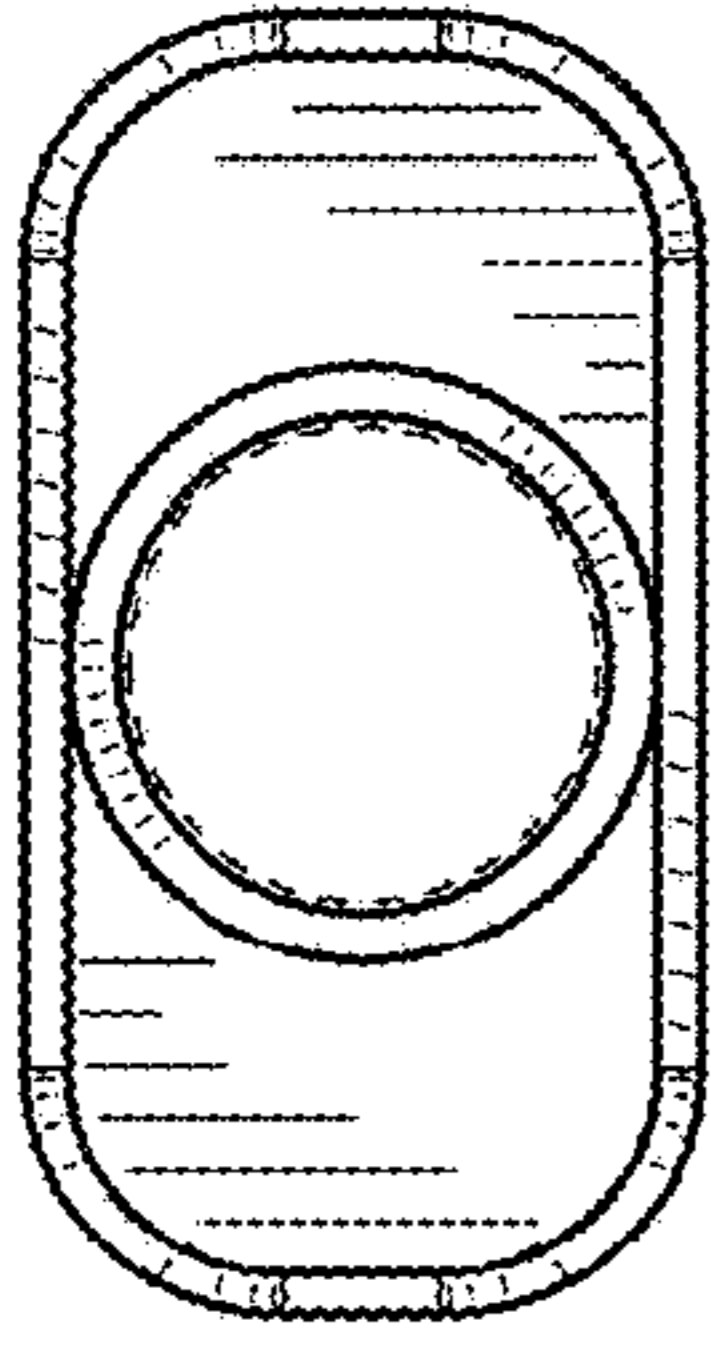


FIG. 10

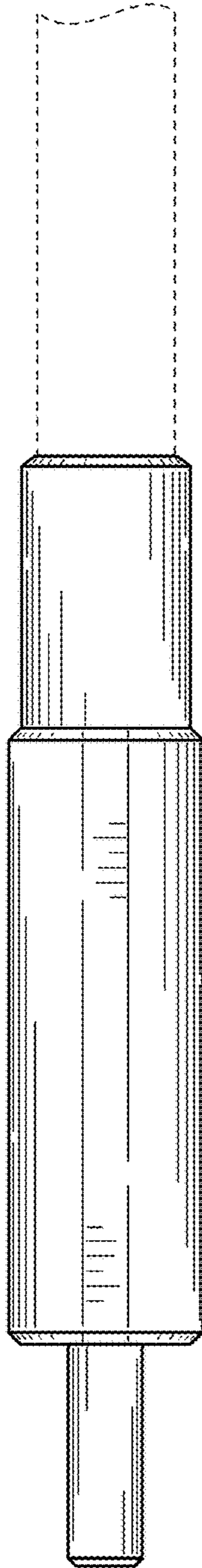


FIG. 11

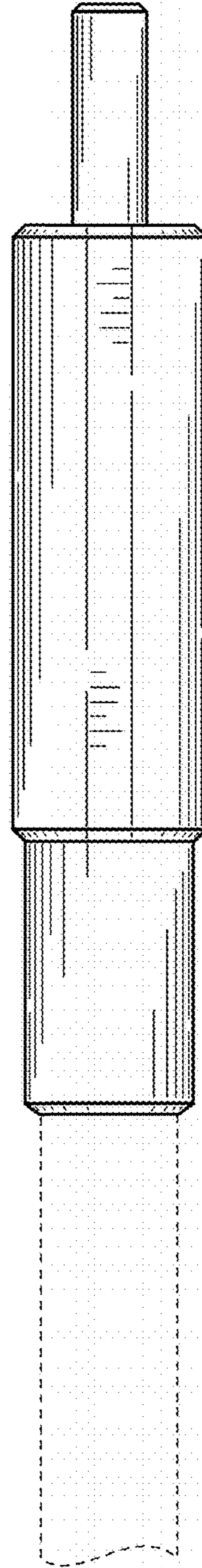


FIG. 12

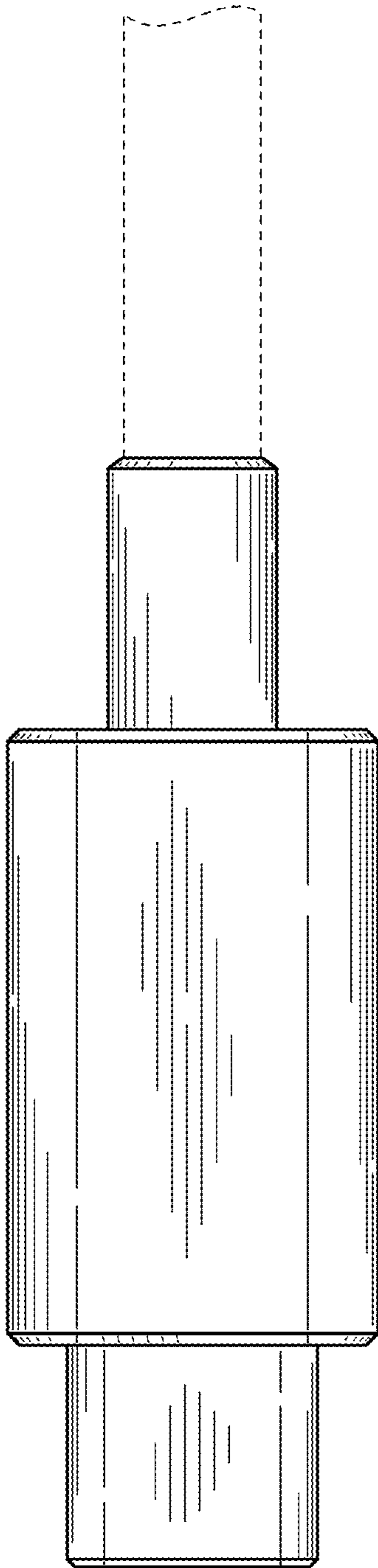


FIG. 13

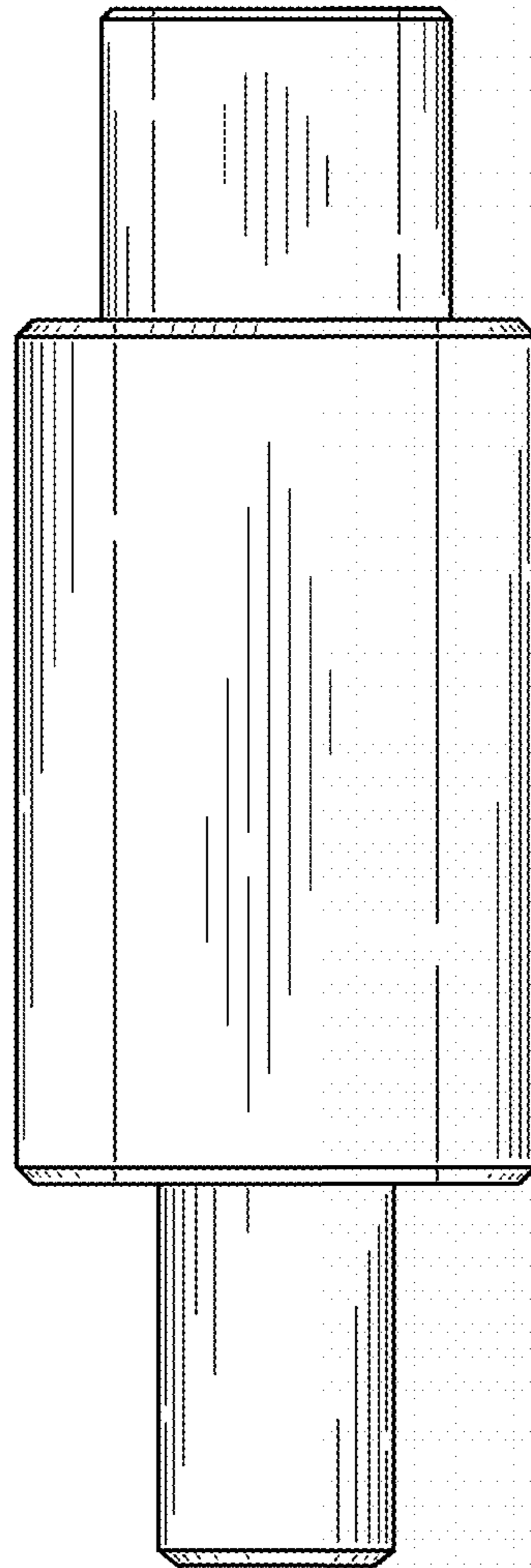


FIG. 14

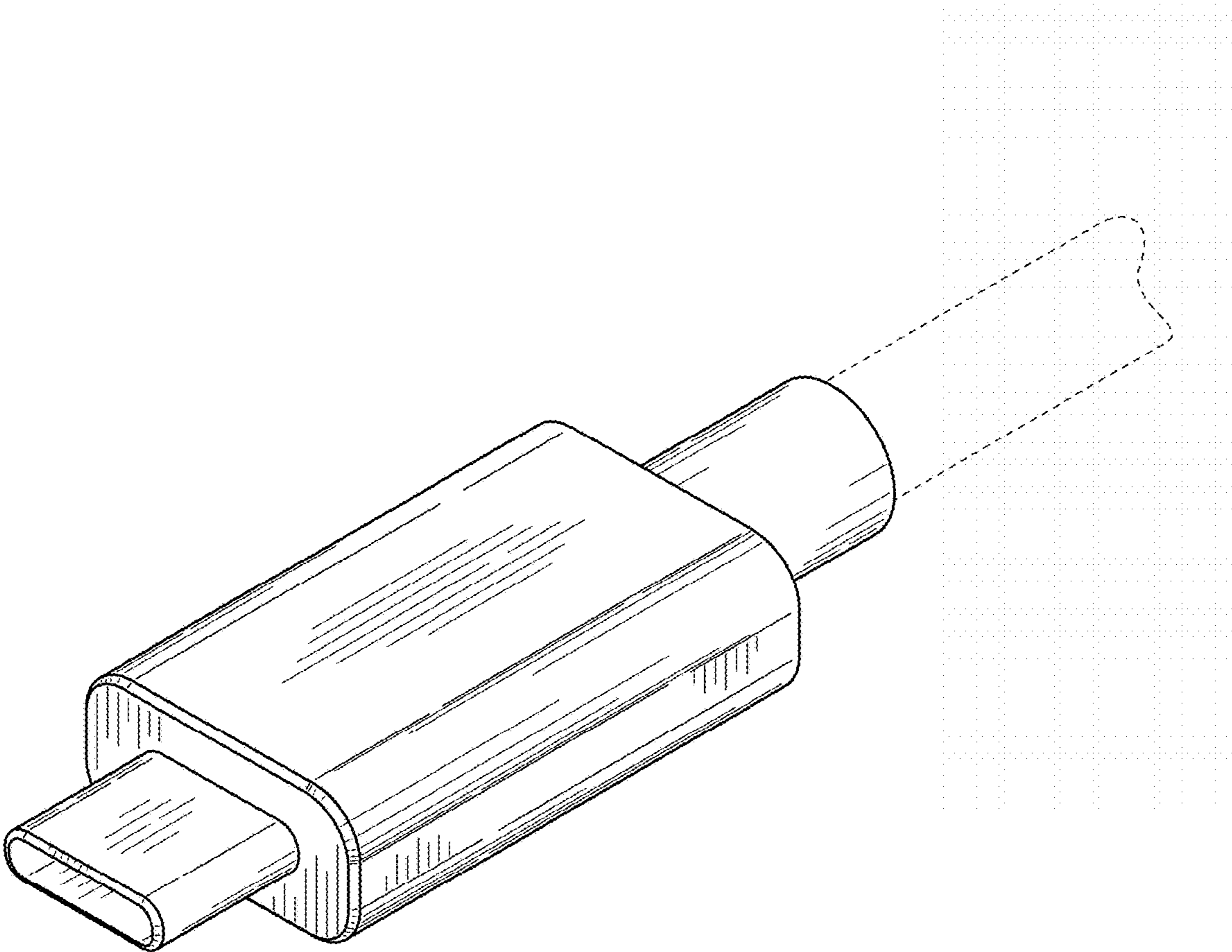


FIG. 15

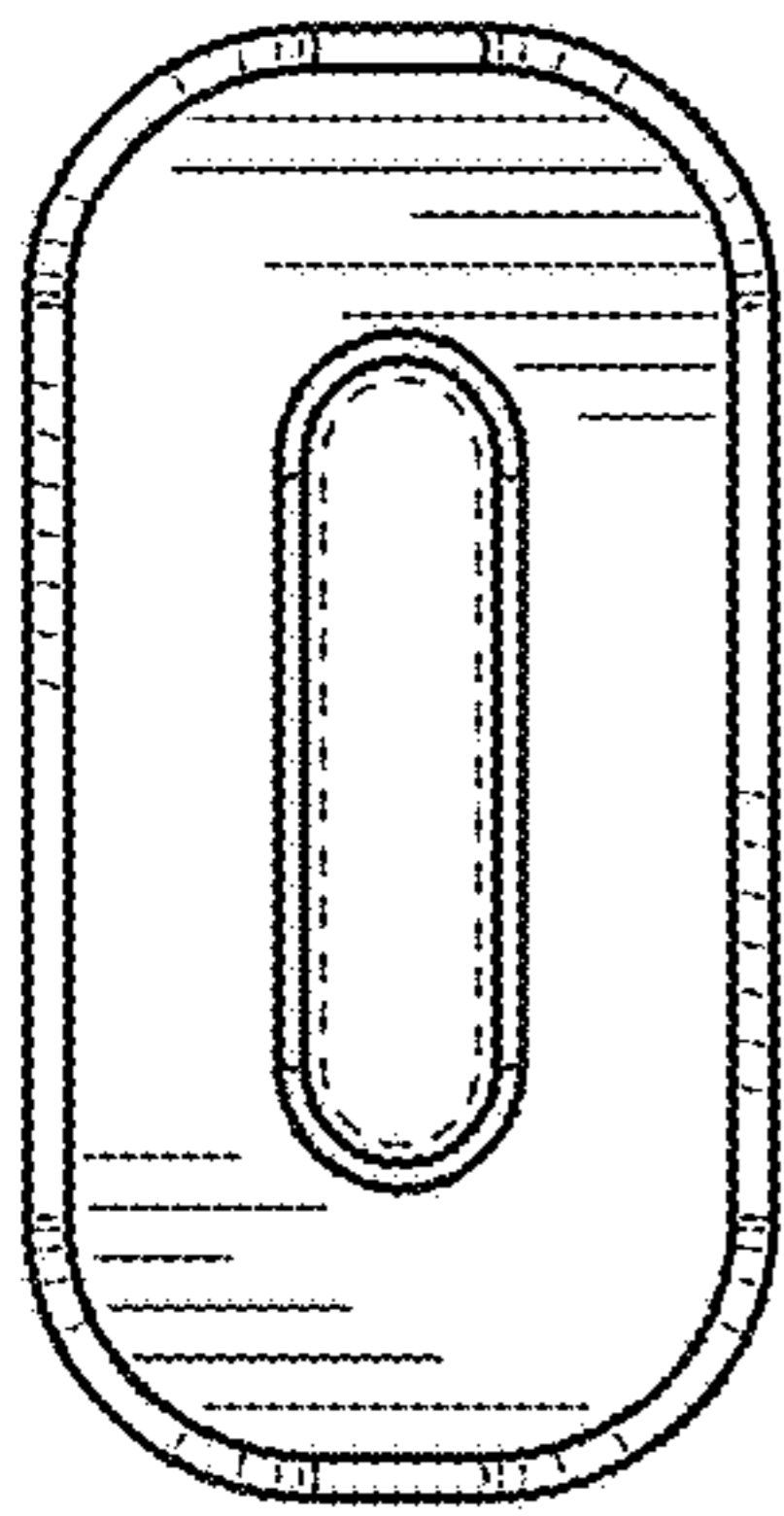


FIG. 16

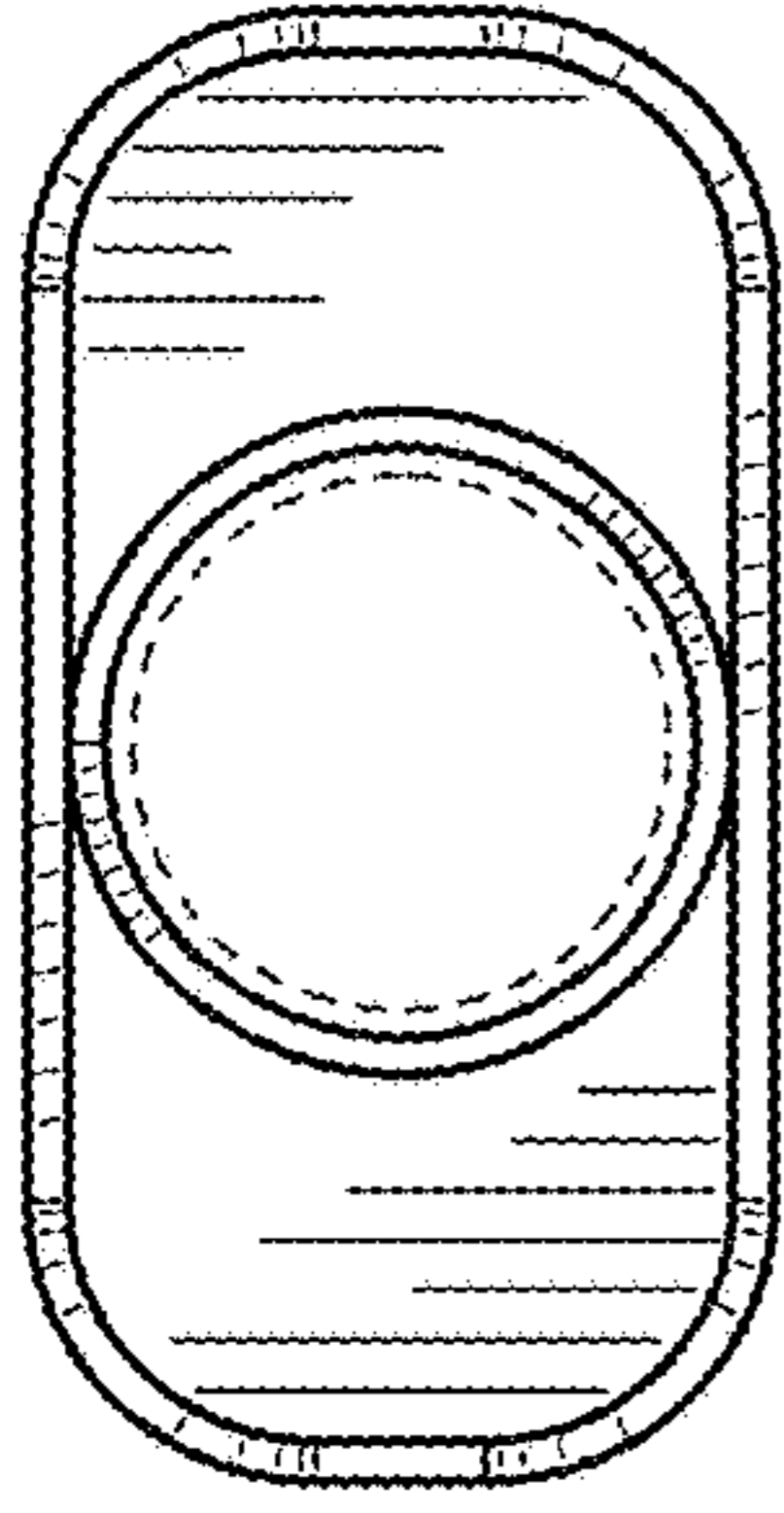


FIG. 17

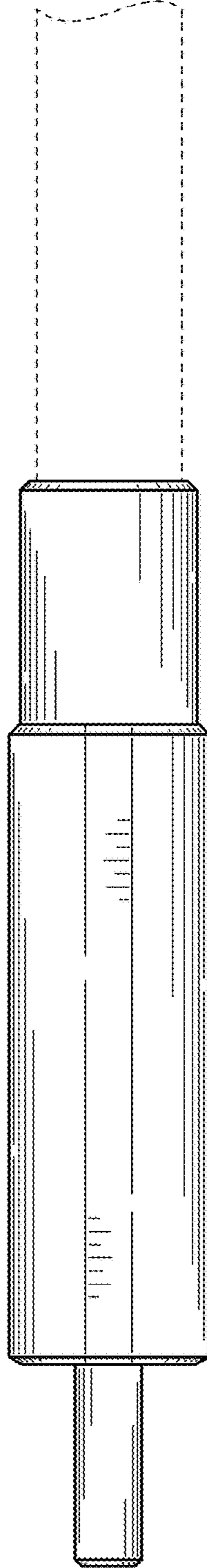


FIG. 18

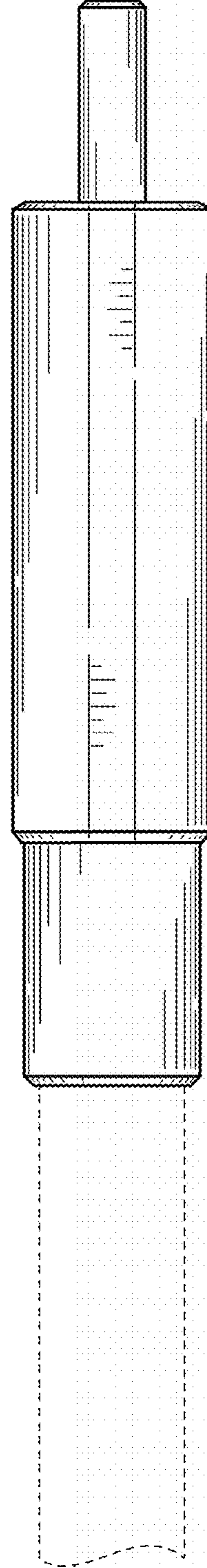


FIG. 19

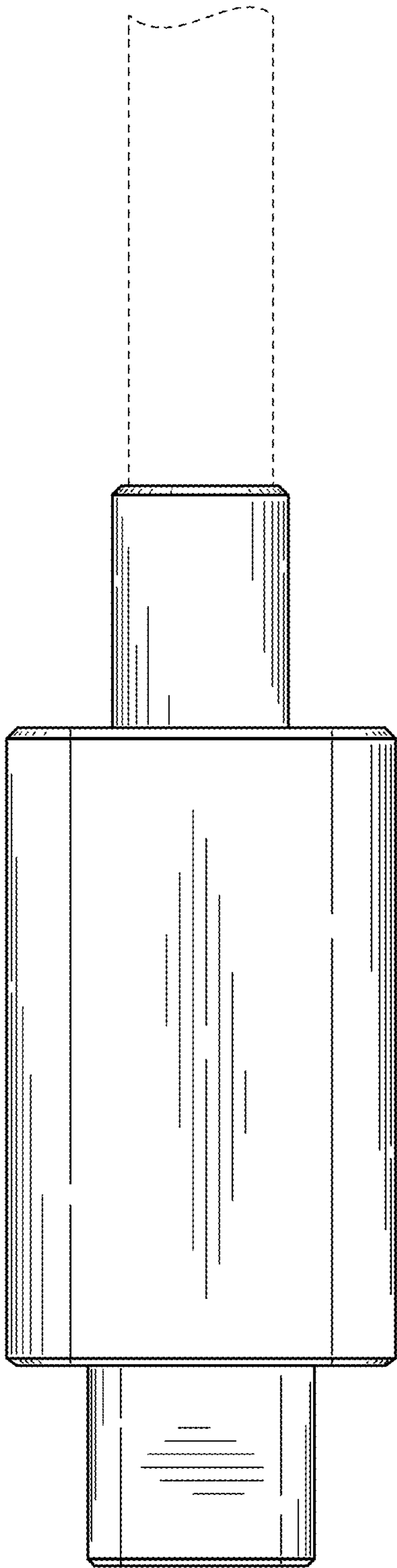


FIG. 20

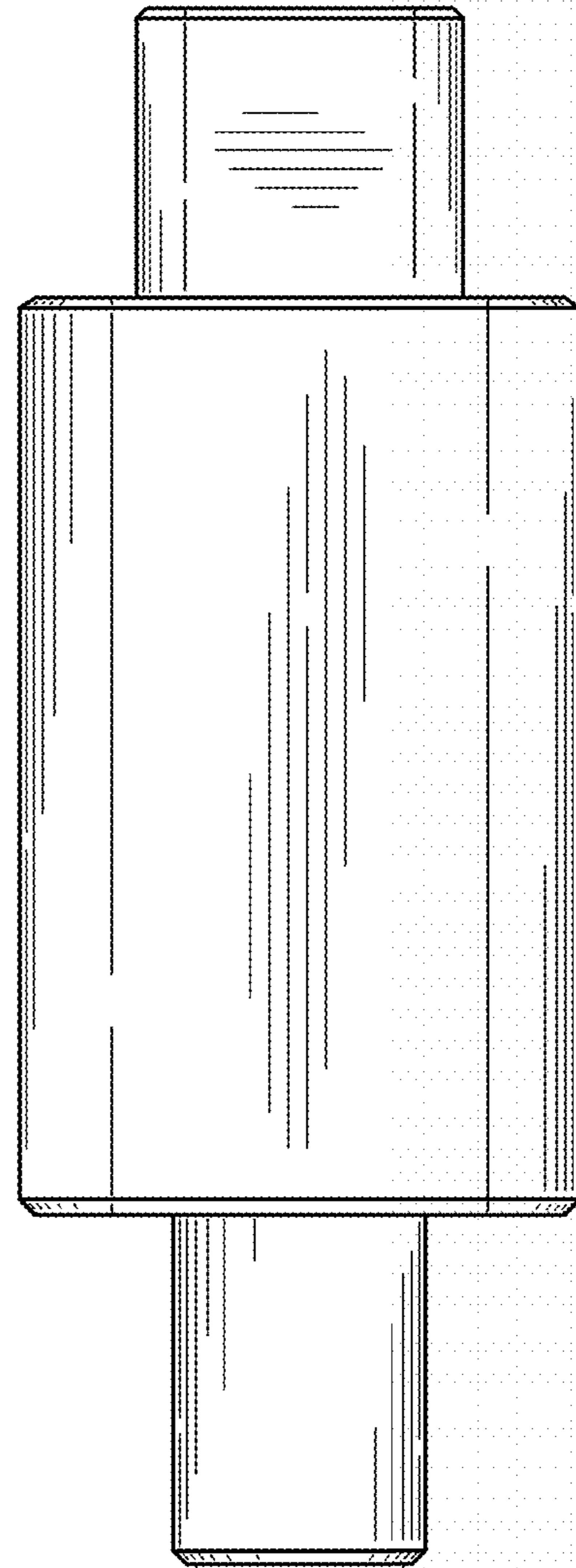


FIG. 21

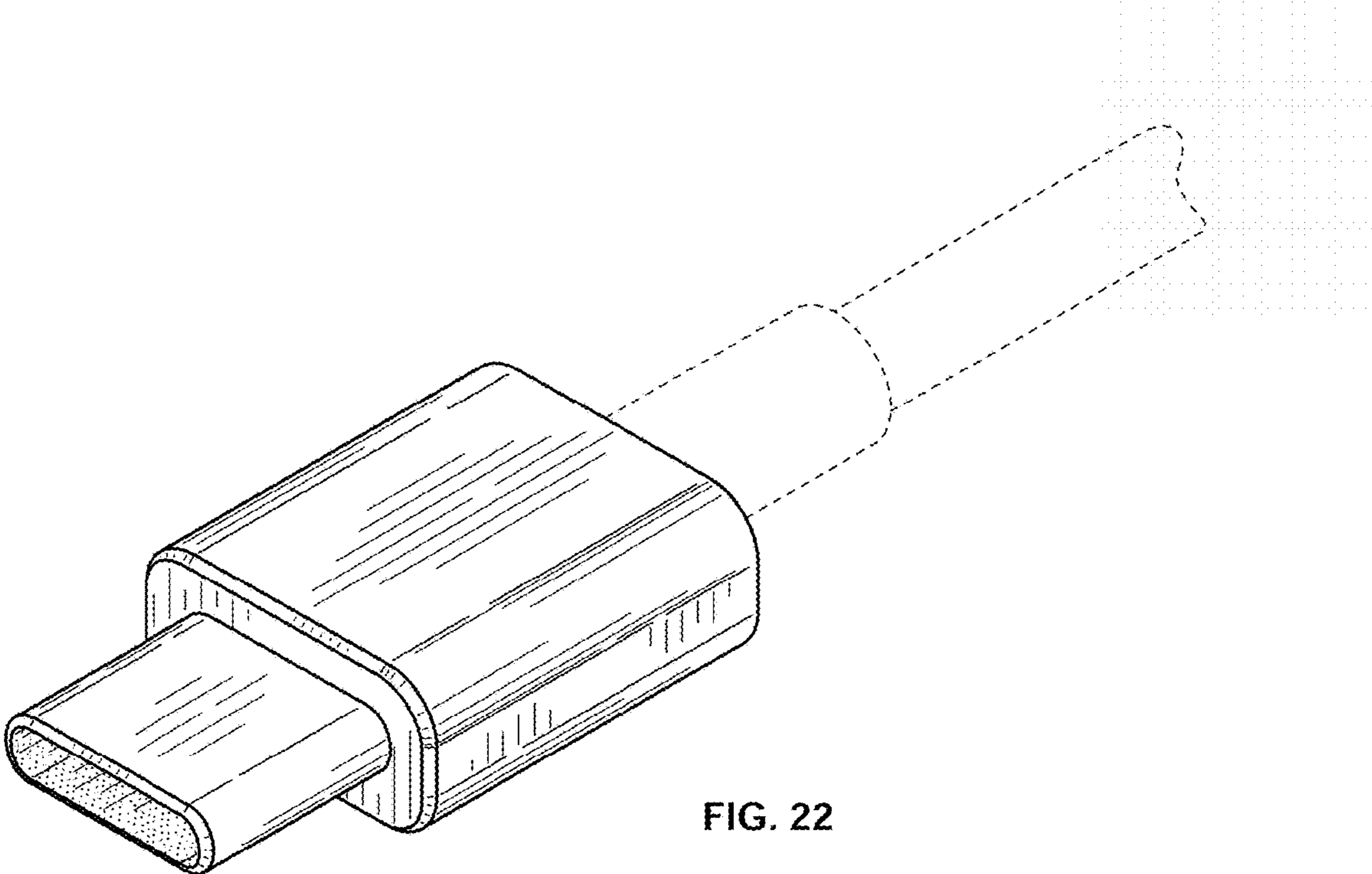


FIG. 22

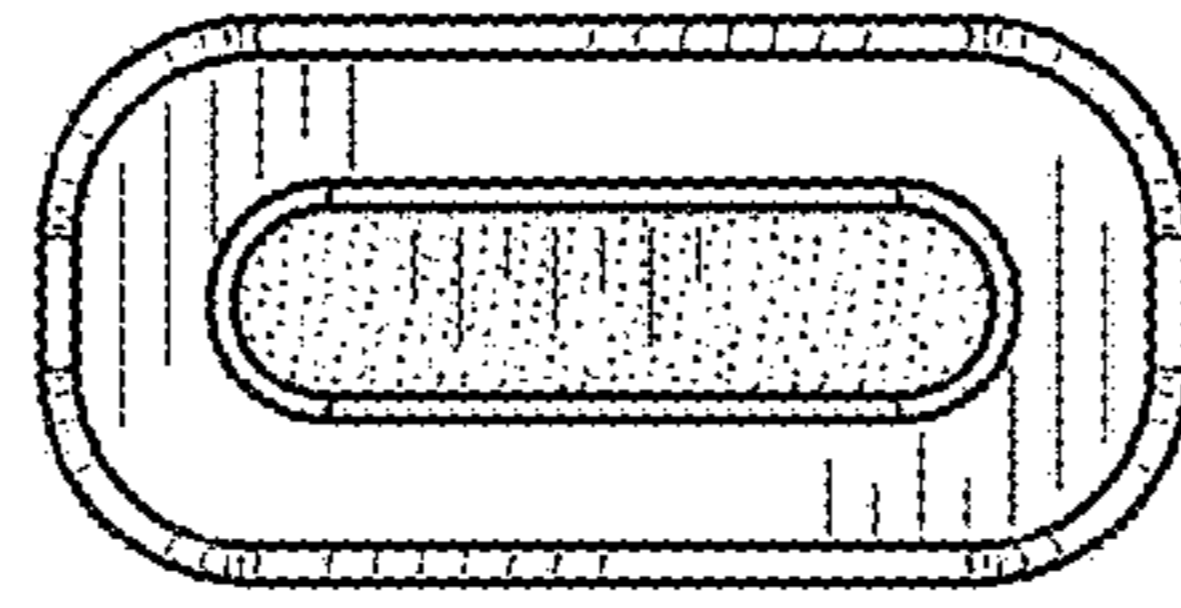


FIG. 23

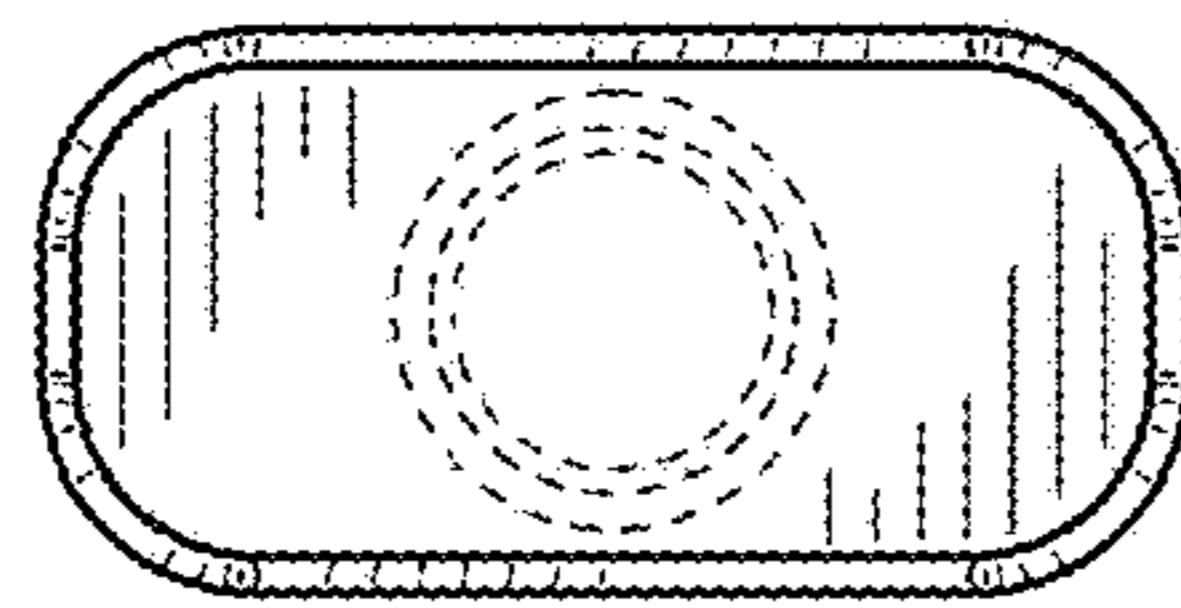


FIG. 24

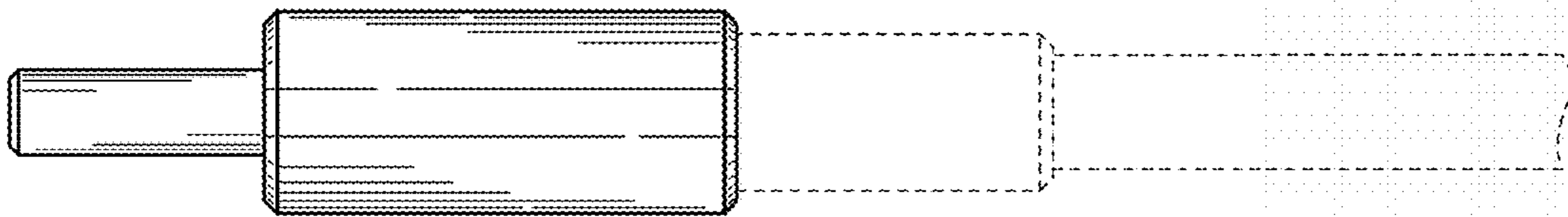


FIG. 25

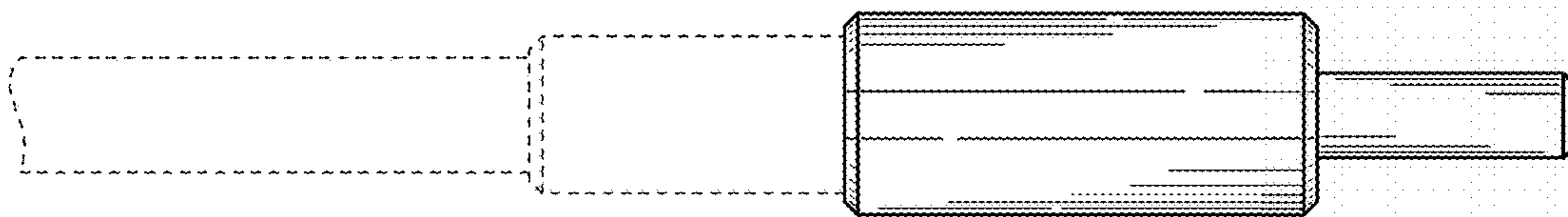


FIG. 26

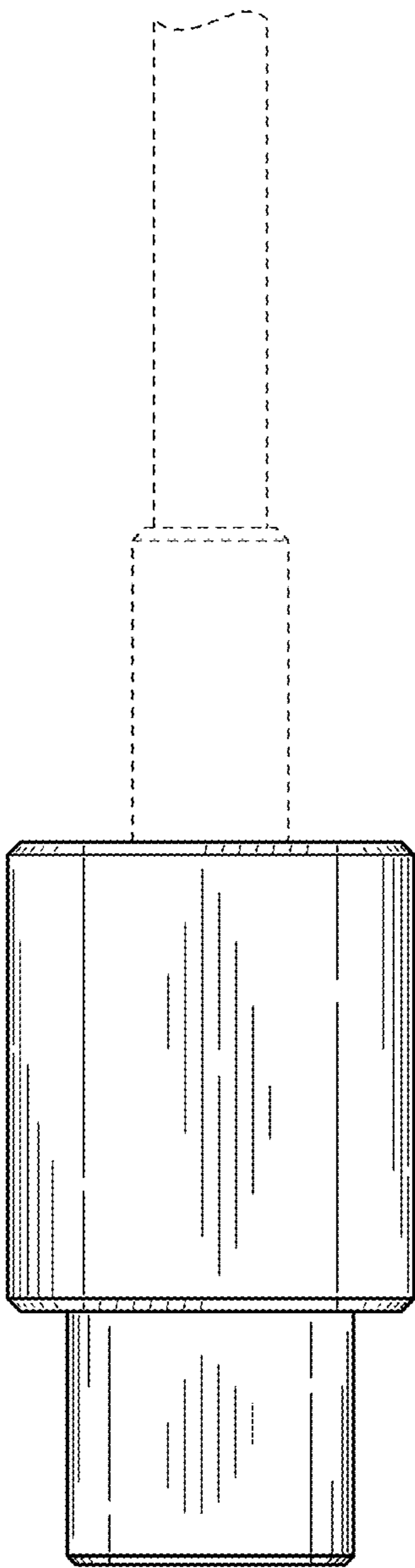


FIG. 27

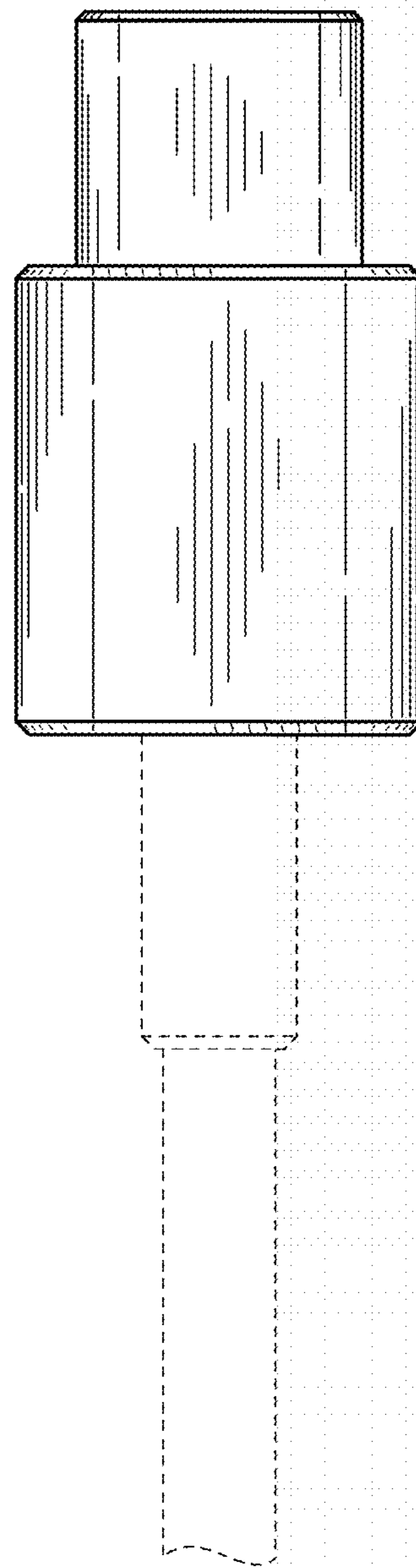


FIG. 28

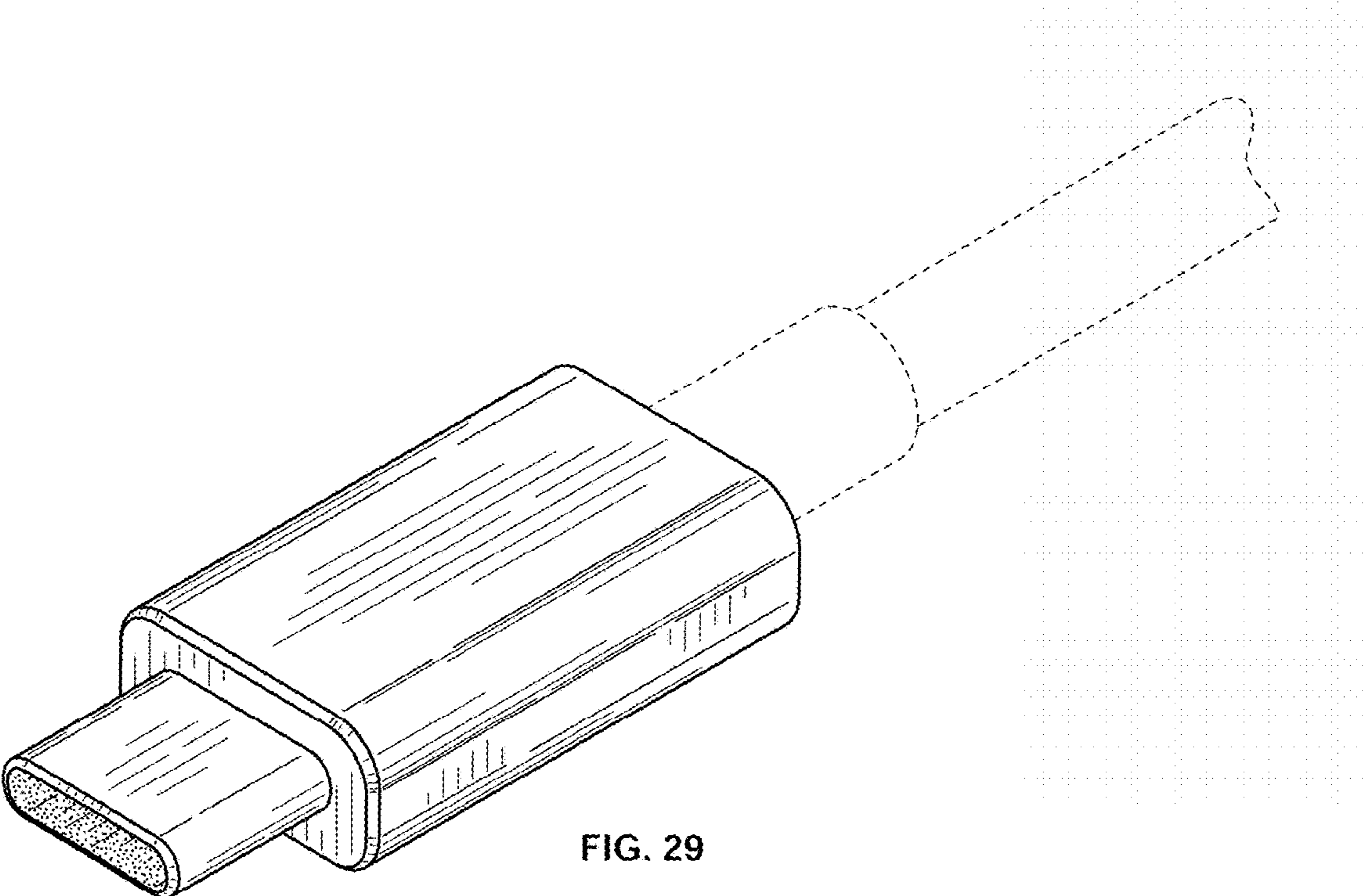


FIG. 29

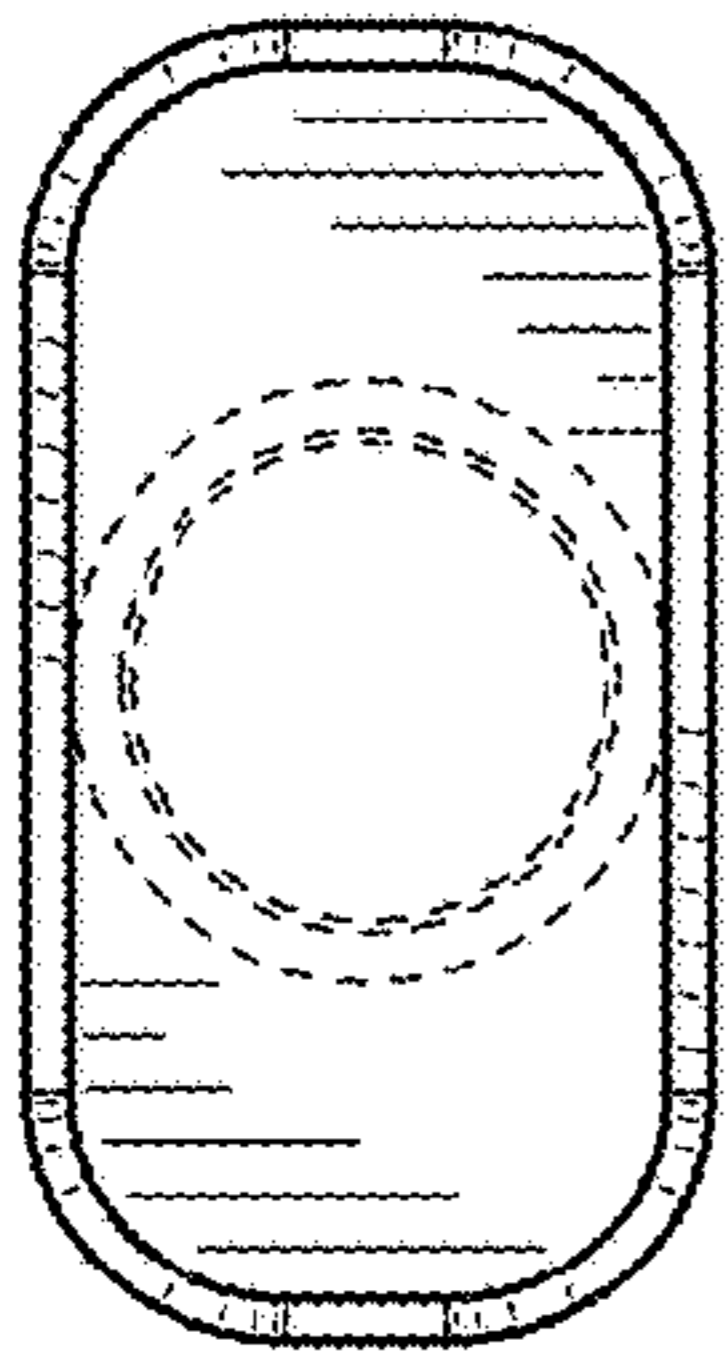


FIG. 31

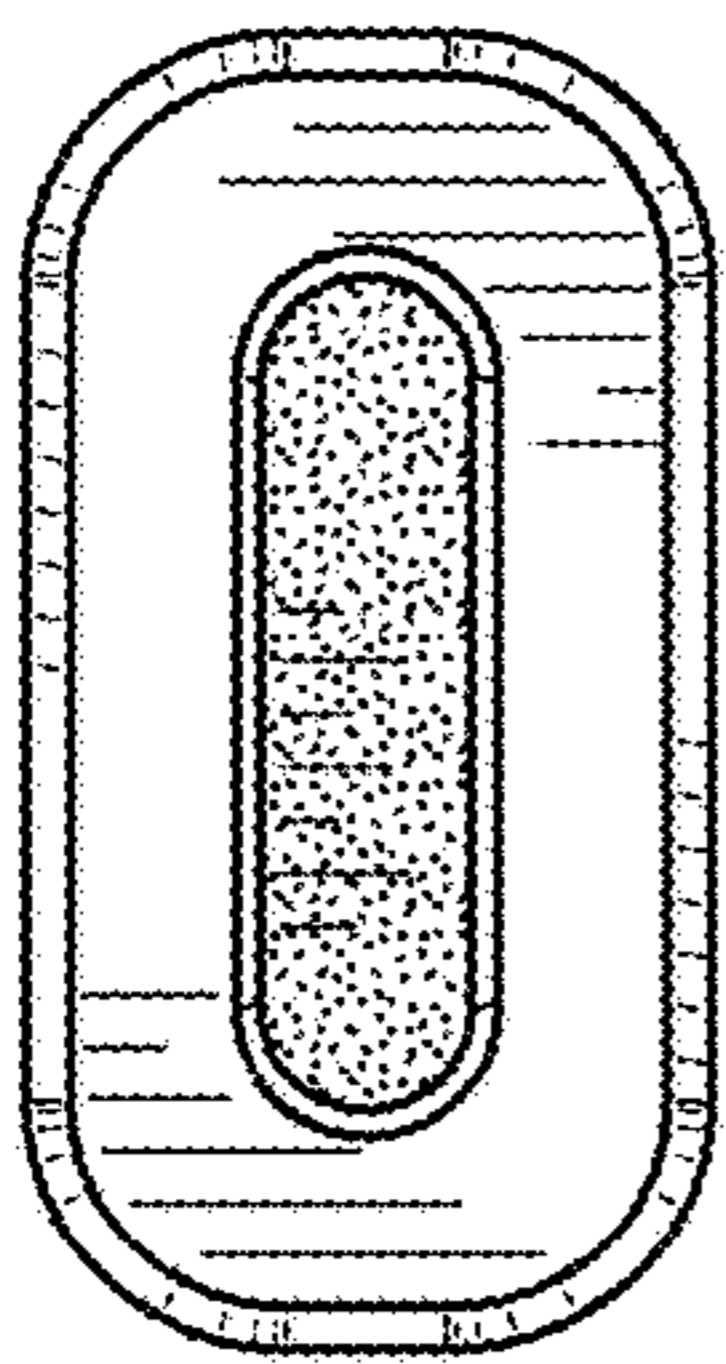


FIG. 30

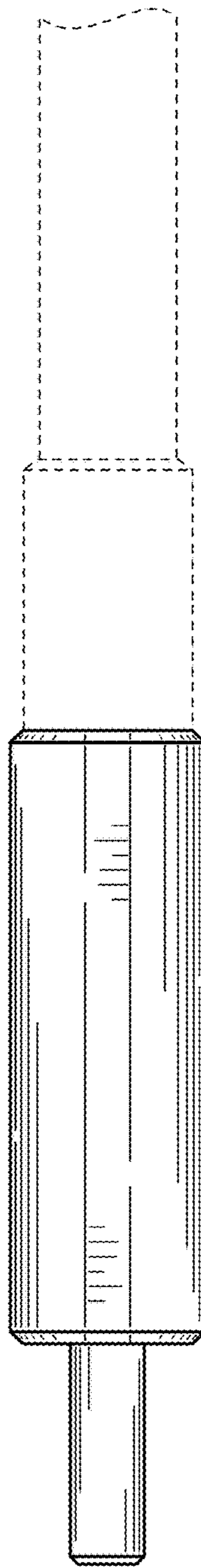


FIG. 32

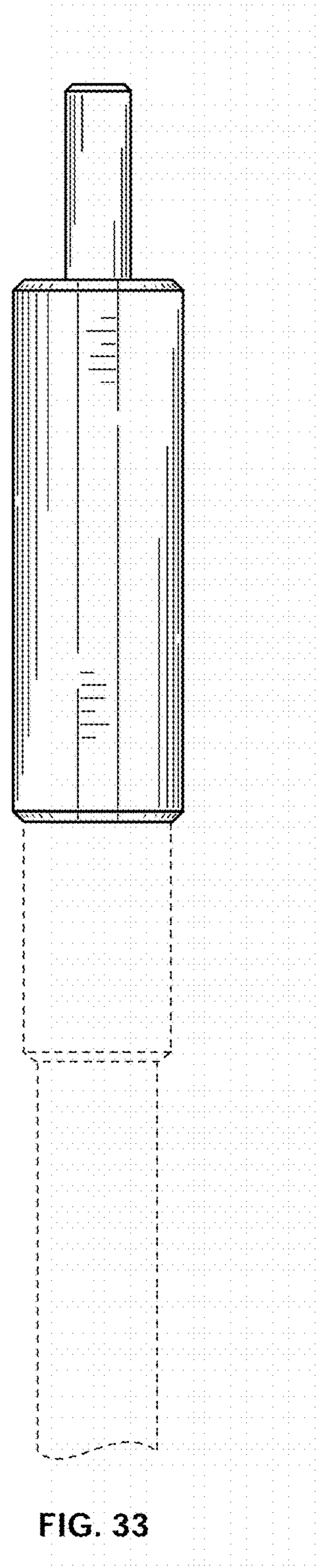


FIG. 33

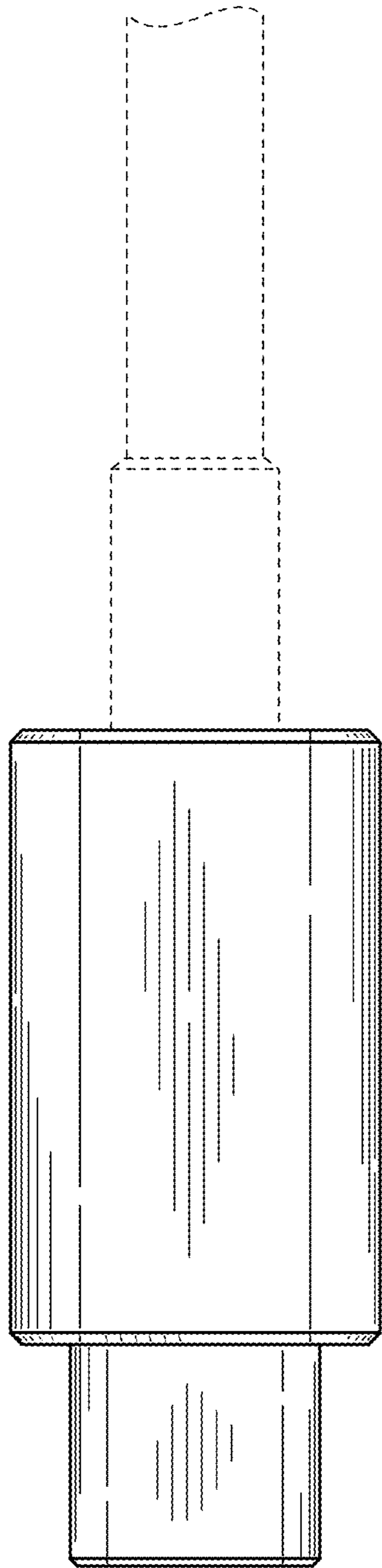


FIG. 34

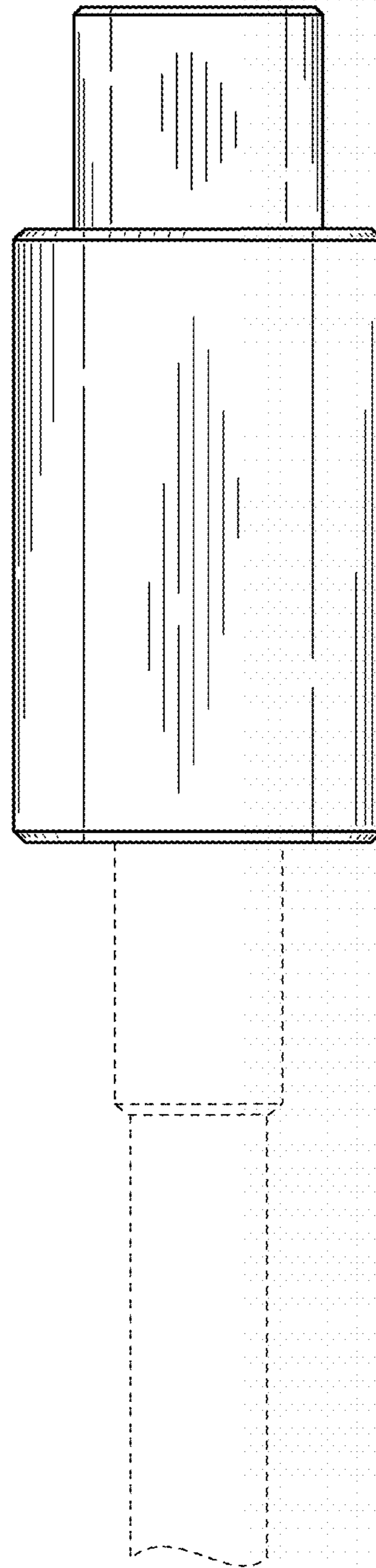


FIG. 35

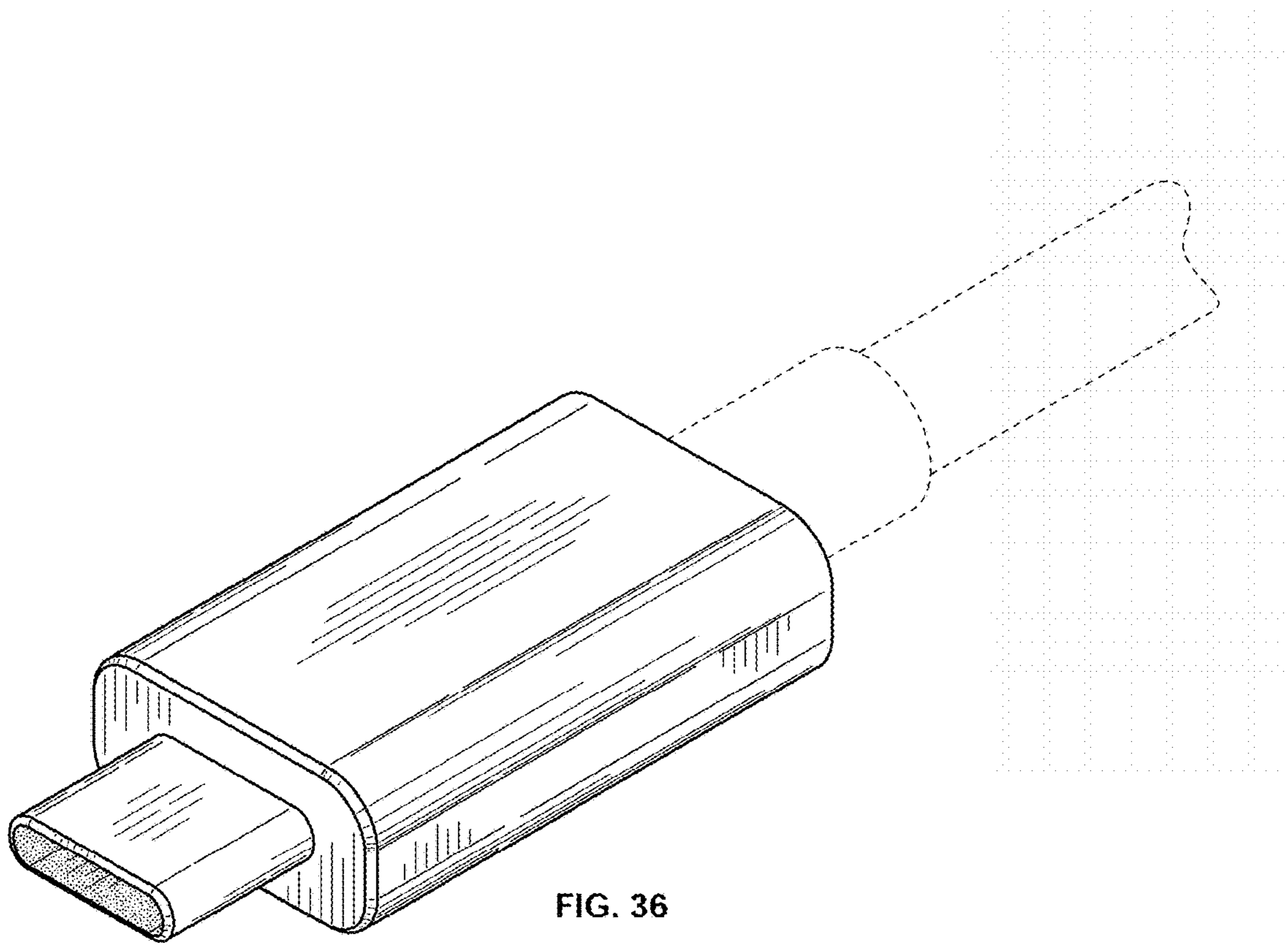


FIG. 36

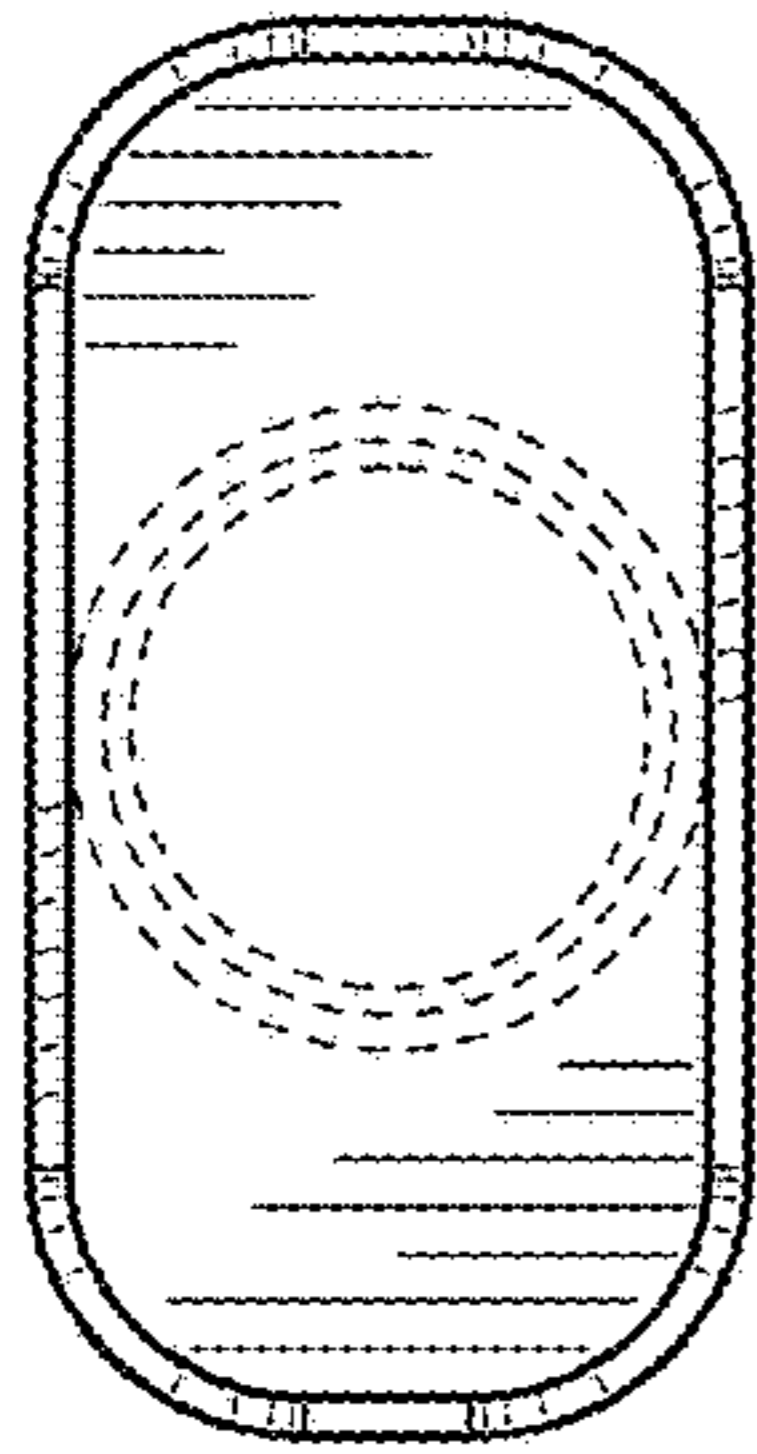


FIG. 38

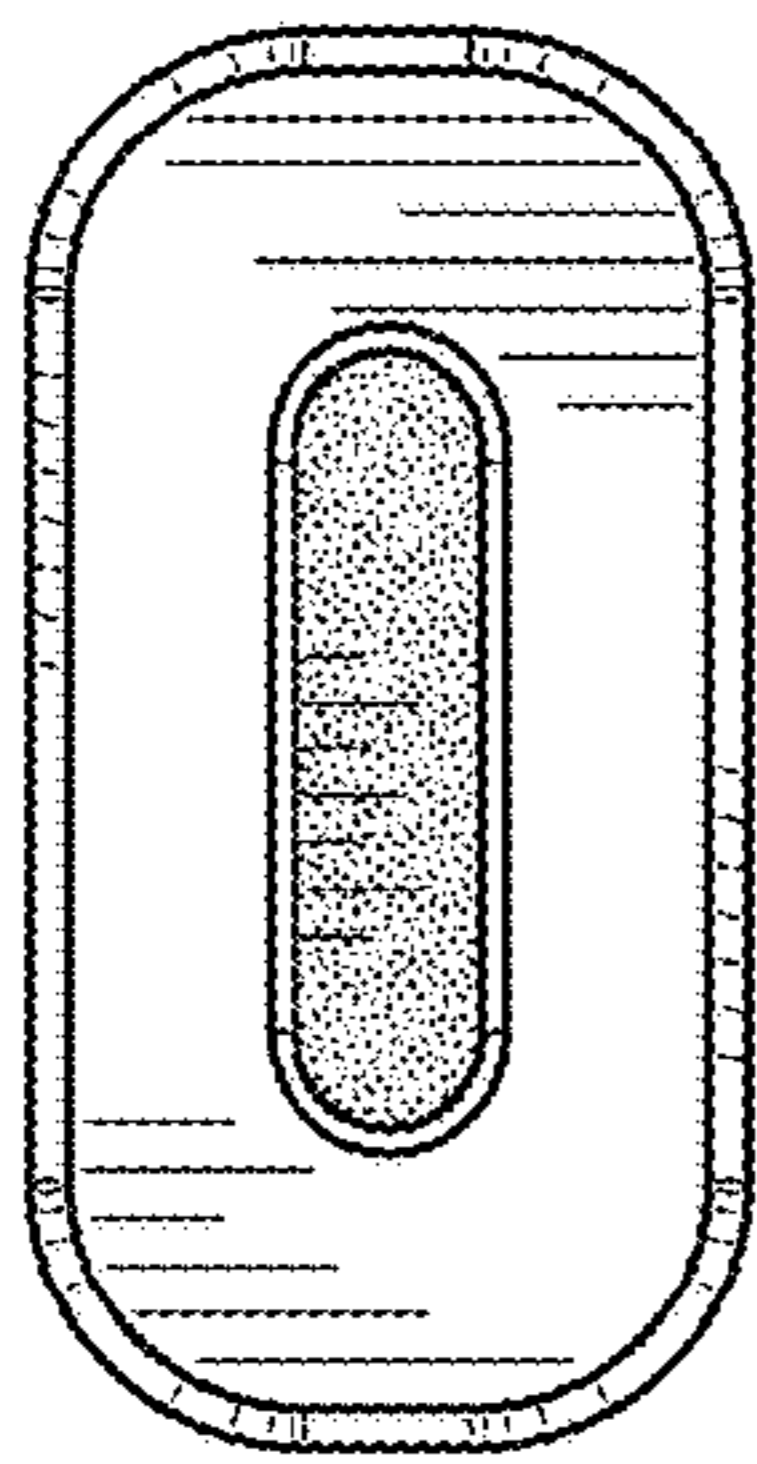


FIG. 37

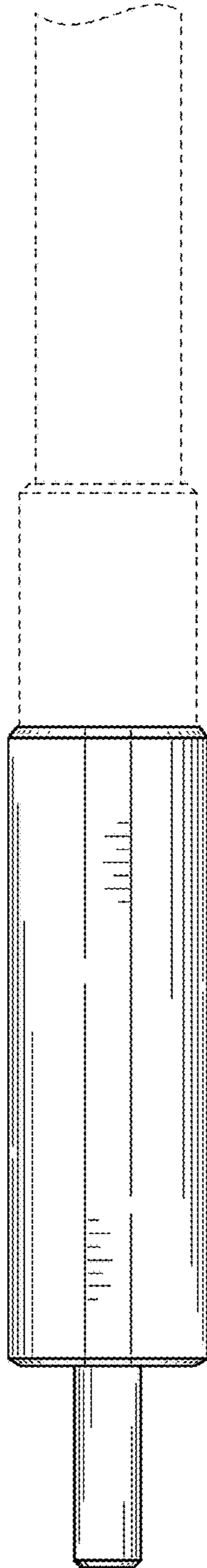


FIG. 39

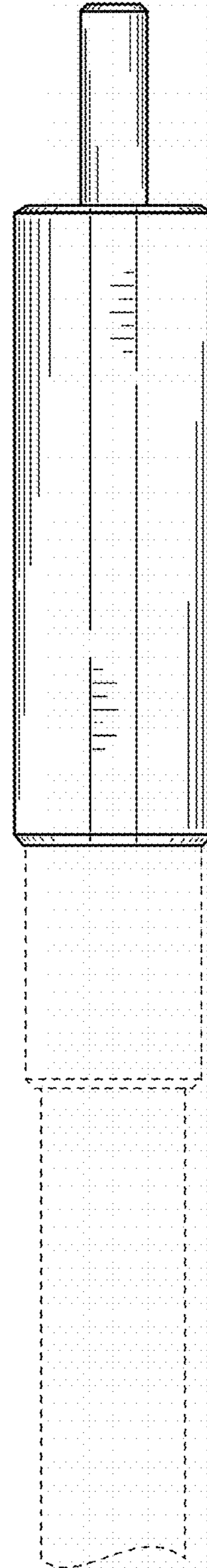


FIG. 40

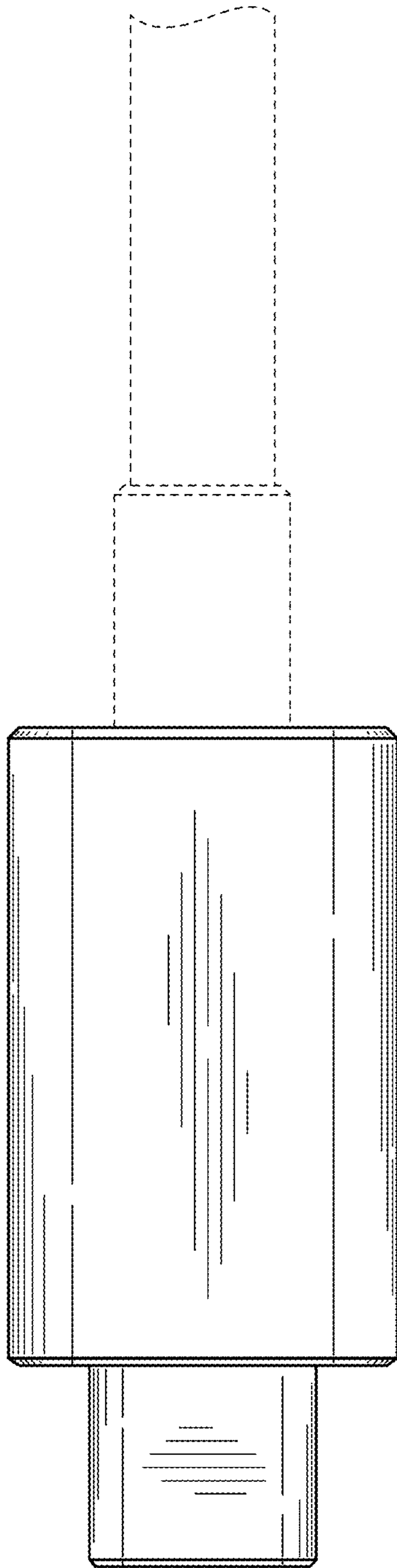


FIG. 41

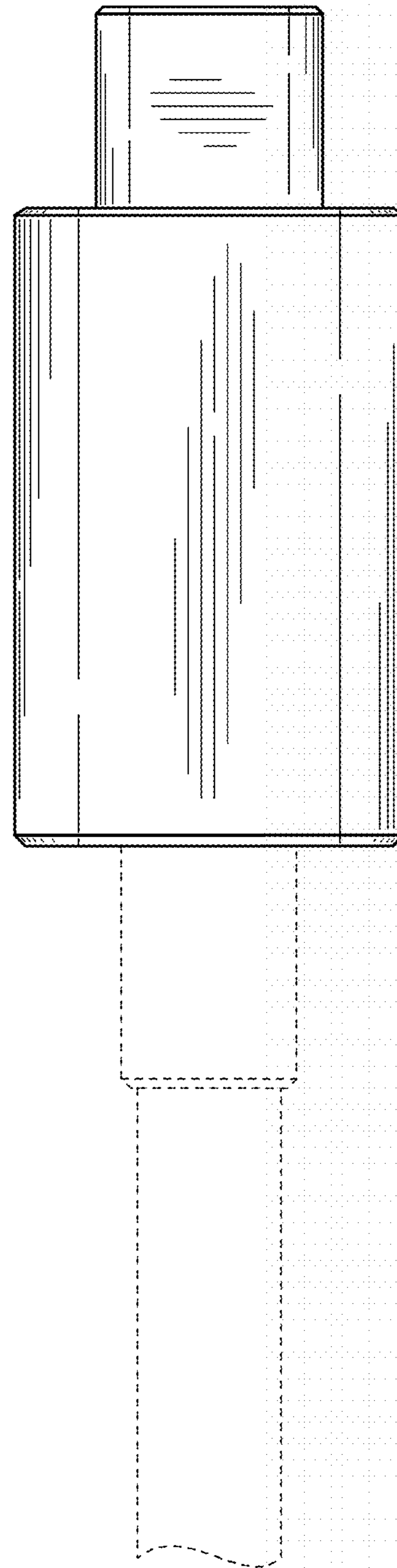


FIG. 42