



US00D815592S

(12) **United States Design Patent**
Lau et al.

(10) **Patent No.:** **US D815,592 S**
(45) **Date of Patent:** **** Apr. 17, 2018**

(54) **BATTERY CHARGER**
(71) Applicant: **Delta-Q Technologies Corp.**, Burnaby (CA)

5,001,620 A 3/1991 Smith
5,034,871 A 7/1991 Okamoto et al.
5,065,278 A 11/1991 Schultz
(Continued)

(72) Inventors: **Ngai Eric Lau**, Burnaby (CA);
Jonathan Eric Stroud, Surrey (CA);
James Lennox Fox, Vancouver (CA)

FOREIGN PATENT DOCUMENTS

CA 2 806 870 A1 4/2014
WO 2010/025596 A1 3/2010

(73) Assignee: **Delta-Q Technologies Corp.**, Burnaby (CA)

OTHER PUBLICATIONS

(**) Term: **15 Years**

Delta-Q Technologies New Lithium-Specific Battery Charger, pnewswire.com, article published on Mar. 27, 2017, retrieved on Jun. 1, 2017, retrieved from the Internet: URL<<http://www.pnewswire.com/news-releases/delta-q-technologies-introduces-new-lithium-specific-battery-charger-at-promat-2017-617167523.html>>.*

(21) Appl. No.: **29/565,135**

(22) Filed: **May 18, 2016**

(51) **LOC (11) Cl.** **13-02**

(52) **U.S. Cl.**
USPC **D13/107**

(58) **Field of Classification Search**
USPC D13/102–106, 107, 110, 118–119, 184, D13/199, 108; D14/251, 253, 432, 434
CPC Y02E 60/12; Y02E 60/122; Y02E 60/124; Y02E 60/50; H01M 2/02; H01M 2/022; H01M 2/0202; H01M 2/0207; H01M 2/0212; H01M 2/1061; H01M 2/1022; H01M 2/1055; H01M 2/1066; H01M 2/105; H01M 2/204; H01M 10/4257; H01M 10/0436; H01M 10/48; H02J 2001/008; H02J 3/32; H02J 3/008; H02J 7/0027; H02J 7/0013; H02J 7/0054; H02J 7/00; B60R 16/03; B60L 11/1809; B60L 11/1861

See application file for complete search history.

(56) **References Cited**

U.S. PATENT DOCUMENTS

D203,543 S 1/1966 Coe
3,938,024 A 2/1976 Clarke
4,412,277 A 10/1983 Mitchell
4,559,590 A 12/1985 Davidson
D305,115 S 12/1989 Kondo et al.
4,885,675 A 12/1989 Henze et al.

(Continued)

Primary Examiner — Rosemary K Tarcza

Assistant Examiner — Alison M Ofstun

(74) *Attorney, Agent, or Firm* — Seed IP Law Group LLP

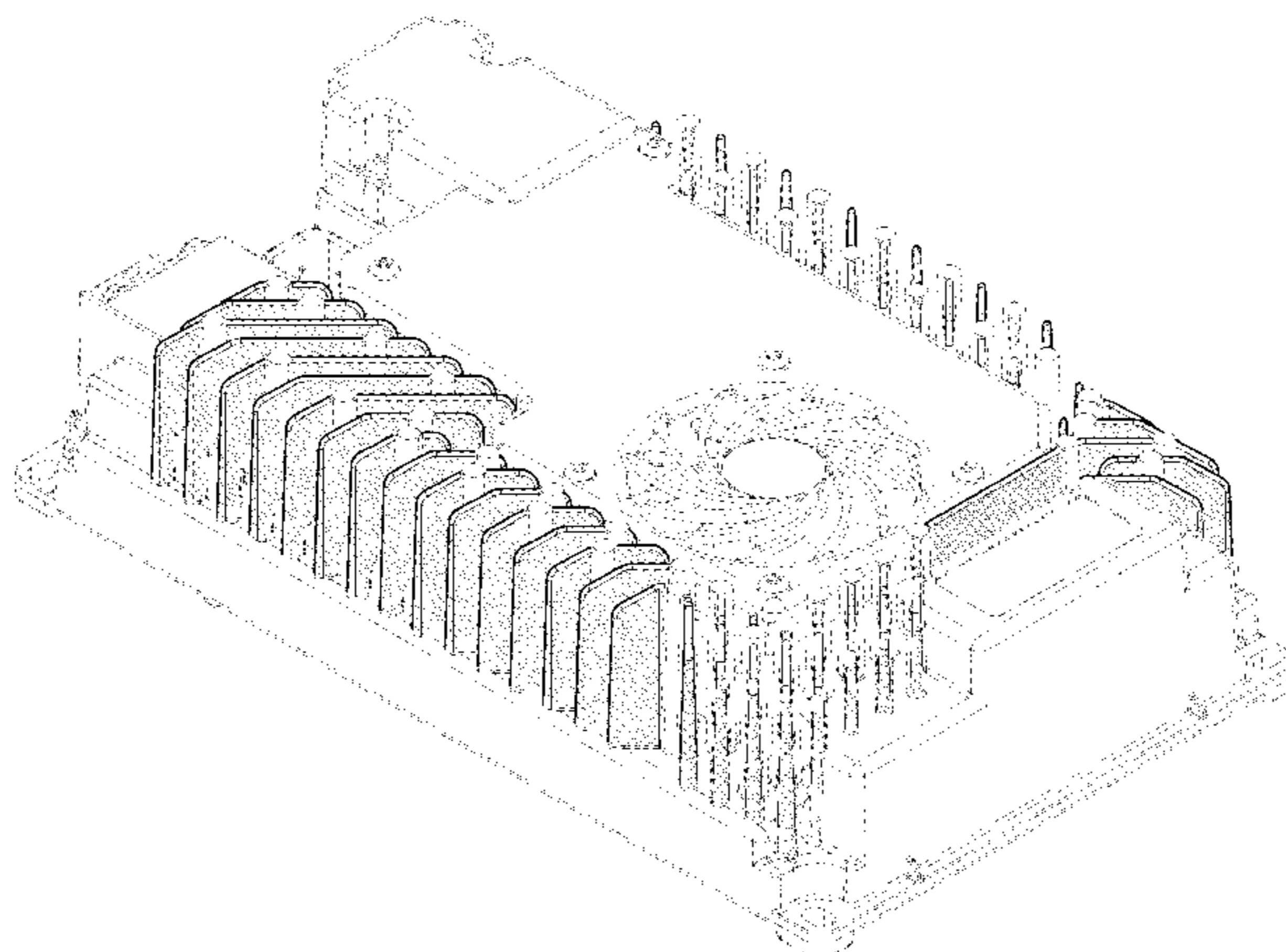
(57) **CLAIM**

The ornamental design for a battery charger, as shown and described.

DESCRIPTION

FIG. 1 is a top right-front isometric view of a battery charger, showing our new design;
FIG. 2 is a bottom left-rear isometric view thereof.
FIG. 3 is a top left-rear isometric view thereof.
FIG. 4 is a bottom right-rear isometric view thereof.
FIG. 5 is a top plan view thereof.
FIG. 6 is a bottom plan view thereof.
FIG. 7 is a front elevational view thereof.
FIG. 8 is a rear elevational view thereof.
FIG. 9 is a left side elevational view thereof; and,
FIG. 10 is a right side elevational view thereof.
The broken lines in the figures represent portions of the article which form no part of the claimed design.

1 Claim, 8 Drawing Sheets



(56)

References Cited

U.S. PATENT DOCUMENTS

- 5,077,486 A 12/1991 Marson et al.
D328,057 S 7/1992 Prager et al.
D336,074 S 6/1993 Friend et al.
D338,653 S 8/1993 Morgan et al.
D351,134 S 10/1994 Hunziker
5,355,300 A 10/1994 Zinn
D360,186 S 7/1995 Netz et al.
5,490,057 A 2/1996 Vinciarelli et al.
5,602,462 A 2/1997 Stich et al.
D378,915 S 4/1997 Widmayer et al.
D379,088 S 5/1997 Hopper
D379,799 S 6/1997 Widmayer et al.
D381,011 S 7/1997 Widmayer et al.
D388,399 S * 12/1997 Widmayer D13/179
D401,216 S 11/1998 Person et al.
D409,139 S * 5/1999 Cornell D13/107
D410,652 S 6/1999 Jones et al.
D416,873 S 11/1999 Korsunsky et al.
D427,146 S 6/2000 Wei
D427,147 S 6/2000 Wei
D449,817 S * 10/2001 Takeuchi D13/110
6,320,772 B1 11/2001 Doyama et al.
D458,228 S 6/2002 Jacobson
6,462,966 B1 10/2002 Leung et al.
6,650,559 B1 * 11/2003 Okamoto H01L 23/3672
257/E23.103
- D489,682 S 5/2004 Guillarme
6,736,195 B2 5/2004 Busch et al.
6,809,678 B2 10/2004 Vera et al.
6,841,979 B2 1/2005 Berson et al.
6,847,195 B2 1/2005 Chen
6,862,201 B2 3/2005 Hodge, Jr.
D505,915 S 6/2005 Hussaini et al.
7,116,090 B1 10/2006 Yang et al.
7,198,094 B2 4/2007 Barsun et al.
D541,743 S * 5/2007 Virolainen D13/110
D541,744 S * 5/2007 Virolainen D13/110
D541,745 S * 5/2007 Virolainen D13/110
D551,621 S 9/2007 Iacovelli et al.
D562,765 S 2/2008 Tsuzuki et al.
7,365,987 B2 4/2008 Jeong
D568,841 S 5/2008 Fischer et al.
D571,314 S * 6/2008 Horng D13/179
7,535,716 B2 5/2009 Fischer et al.
D593,512 S * 6/2009 Lin D13/179
7,616,455 B2 11/2009 Cameron et al.
D606,017 S * 12/2009 Charlson D13/110
D638,376 S 5/2011 Herrmann et al.
D651,200 S 12/2011 Sugime et al.
D652,156 S 1/2012 Li et al.
D664,544 S 7/2012 Yi et al.
D677,621 S 3/2013 Beroukas et al.
D678,852 S 3/2013 Marshall
D691,558 S * 10/2013 Helosvuori D13/123
8,546,974 B2 10/2013 Foxall et al.
8,552,695 B2 10/2013 Stracquadini
8,598,737 B2 12/2013 Foxall et al.
D698,481 S 1/2014 Wasserman et al.
D702,376 S 4/2014 Su
D703,132 S 4/2014 Pearson et al.
8,803,489 B2 8/2014 Li et al.
D713,336 S * 9/2014 Perin D13/110
8,861,238 B2 10/2014 Huang et al.
8,937,469 B2 1/2015 Clark et al.
D751,241 S 3/2016 Aldape
D751,751 S 3/2016 Lockart et al.
D755,740 S * 5/2016 Chen D13/179
D767,815 S 9/2016 Lee
- 2002/0149951 A1 10/2002 Leung et al.
2005/0105311 A1 5/2005 Soldano
2008/0002444 A1 1/2008 Shekhawat et al.
2010/0110593 A1 5/2010 Kim et al.
2010/0165683 A1 7/2010 Sugawara
2010/0259240 A1 10/2010 Cuk
2011/0110127 A1 5/2011 Lee
- 2011/0211377 A1 9/2011 Uno
2011/0292703 A1 12/2011 Cuk
2012/0069615 A1 3/2012 Tomioka
2012/0249102 A1 10/2012 Cuk
2012/0256606 A1 10/2012 van den Broeke
2013/0051102 A1 2/2013 Huang et al.
2013/0235631 A1 9/2013 Pahlevaninezhad et al.
2014/0056045 A1 2/2014 Yan et al.
2014/0268952 A1 9/2014 Tong
2015/0171734 A1 6/2015 Yu et al.
2015/0263605 A1 9/2015 Alam
2016/0056730 A1 2/2016 Yan et al.
2016/0099660 A1 4/2016 Khaligh et al.

OTHER PUBLICATIONS

Chen et al., "Digital Control for Improved Efficiency and Reduced Harmonic Distortion Over Wide Load Range in Boost PFC Rectifiers," *IEEE Transactions on Power Electronics* 25(10):2683-2692, Oct. 2010.

Clark, "Digital Control Techniques for Power Quality Improvements in Power Factor Correction Applications," master's thesis, University of British Columbia, Jul. 2012, 114 pages.

De Gussemé et al., "Digitally Controlled Boost Power-Factor-Correction Converts Operating in Both Continuous and Discontinuous Conduction Mode," *IEEE Transactions on Industrial Electronics* 52(1):88-97, Feb. 2005.

De Gussemé et al., "Input-Current Distortion of CCM Boost PFC Converts Operated in DCM," *IEEE Transactions on Industrial Electronics* 54(2):858-865, Apr. 2007.

De Gussemé et al., "Sample Correction for Digitally Controlled Boost PFC Converters Operating in both CCM and DCM," *Eighteenth Annual IEEE Applied Power Electronics Conference and Exposition* 1:389-395, Feb. 9-13, 2003.

de Souza et al., "A New ZVS-PWM Unity Power Factor Rectifier with Reduced Conduction Losses," *IEEE Transactions on Power Electronics* 10(6):746-752, Nov. 1995.

de Souza et al., "High Power Factor Rectifier with Reduced Conduction and Commutation Losses," 21st International Telecommunication Energy Conference, Copenhagen, Jun. 6-9, 1999, 5 pages.

Dixon, "Average Current Mode Control of Switching Power Supplies," Unitrode Application Note U-140, pp. 3-356-3-369, 1990.

Dixon, "Average Current Mode Control of Switching Power Supplies—Topic 5," Unitrode Corporation, pp. 5-1-5-14, 2001, 16 pages.

Erickson et al., *Fundamentals of Power Electronics*, Second Edition, Kluwer Academic Publishers, Secaucus, NJ, 2001, 12 pages, Table of Contents.

Fairchild Semiconductor, "FAN7930: Critical Conduction Mode PFC Controller," Apr. 2010, 22 pages.

Huber et al., "Performance Evaluation of Bridgeless PFC Boost Rectifiers," *IEEE Transactions on Power Electronics* 23(3):1381-1390, May 2008.

Hwang et al., "Seamless Boost Converter Control in Critical Boundary Condition for Fuel Cell Power Conditioning System," IEEE Energy Conversion Congress and Exposition, Sep. 17-22, 2011, pp. 3641-3648.

Hwang et al., "Seamless Boost Converter Control Under the Critical Boundary Condition for a Fuel Cell Power Conditioning System," *IEEE Transactions on Power Electronics* 27(8):3616-3626, Aug. 2012.

Liou et al., "Design and Implementation of a Boost Power Factor Correction Stage Operated in Mixed-Condition Mode," International Conference of Electric Information and Control Engineering (ICEICE), Apr. 15-17, 2011, pp. 2069-2072.

Maksimović et al., "Impact of Digital Control in Power Electronics," *Proceedings of 2004 International Symposium on Power Semiconductor Devices & ICs, Kitakyushu*, pp. 13-22, 2004.

Martinez et al., "A High-Performance Single-Phase Rectifier with Input Power Factor Correction," *IEEE Transactions on Power Electronics* 11(2):311-317, Mar. 1996.

(56)

References Cited

OTHER PUBLICATIONS

Marvi et al., "A Fully ZVS Critical Conduction Mode Boost PFC," *IEEE Transactions on Power Electronics* 27(4):1958-1965, Apr. 2012.

Moon et al., "Accurate Mode Boundary Detection in Digitally Controlled Boost Power Factor Correction Rectifiers," IEEE Energy Conversion Congress and Exposition (ECCE), Sep. 12-16, 2010, pp. 1212-1217.

Moon et al., "Autotuning of Digitally Controlled Boost Power Factor Correction Rectifiers," *IEEE Transactions on Power Electronics* 26(10):3006-3018, Oct. 2011.

Musavi et al., "A Phase-Shifted Gating Technique With Simplified Current Sensing for the Semi-Bridgeless AC-DC Converter," *IEEE Transactions on Vehicular Technology* 62(4):1568-1576, May 2013.

Roggia et al., "Digital Control System Applied to a PFC Boost Converter Operating in Mixed Conduction Mode," Brazilian Power Electronics Conference (COBEP), Sep. 2-Oct. 1, 2009, pp. 698-704.

Salmon, "Circuit topologies for pwm boost rectifiers operated from 1-phase and 3-phase ac supplies and using either single or split dc rail voltage outputs," 10th Annual Applied Power Electronics Conference and Exposition, Dallas, TX, Mar. 5-9, 1995, vol. 1, pp. 473-479.

Salmon, "Circuit Topologies for Single-Phase Voltage-Doubler Boost Rectifiers," *IEEE Transactions on Power Electronics* 8(4):521-529, Oct. 1993.

Sebastián et al., "The Determination of the Boundaries Between Continuous and Discontinuous Conduction Modes in PWM DC-to-DC Converters Used as Power Factor Preregulators," *IEEE Transactions on Power Electronics* 10(5):574-582, Sep. 1995.

Su et al., "An Interleaved Totem-Pole Boost Bridgeless Rectifier With Reduced Reverse-Recovery Problems for Power Factor Correction," *IEEE Transactions on Power Electronics* 25(6):1406-1415, Jun. 2010.

Tollik et al., "Comparative Analysis of 1-Phase Active Power Factor Correction Topologies," 14th International Telecommunications Energy Conference, Washington, DC, Oct. 4-8, 1992, pp. 517-523.

Tsai et al., "A Family of Zero-Voltage-Transition Bridgeless Power-Factor-Correction Circuits With a Zero-Current-Switching Auxiliary Switch," *IEEE Transactions on Industrial Electronics* 58(5):1848-1855, May 2011.

Van de Sype et al., "Duty-Ratio Feedforward for Digitally Controlled Boost PFC Converters," *IEEE Transactions on Industrial Electronics* 52(1):108-115, Feb. 2005.

Wang, "A New Single-Phase ZCS-PWM Boost Rectifier With High Power Factor and Low Conduction Losses," *IEEE Transactions on Industrial Electronics* 53(2):500-510, Apr. 2006.

Lau et al., "Battery Charger," U.S. Appl. No. 29/530,060, filed Jun. 12, 2015, 18 pages.

Lau et al., "Battery Charger," U.S. Appl. No. 29/535,892, filed Aug. 11, 2015, 22 pages.

Lau et al., "Battery Charger," U.S. Appl. No. 29/586,567, filed Dec. 5, 2016, 18 pages.

* cited by examiner

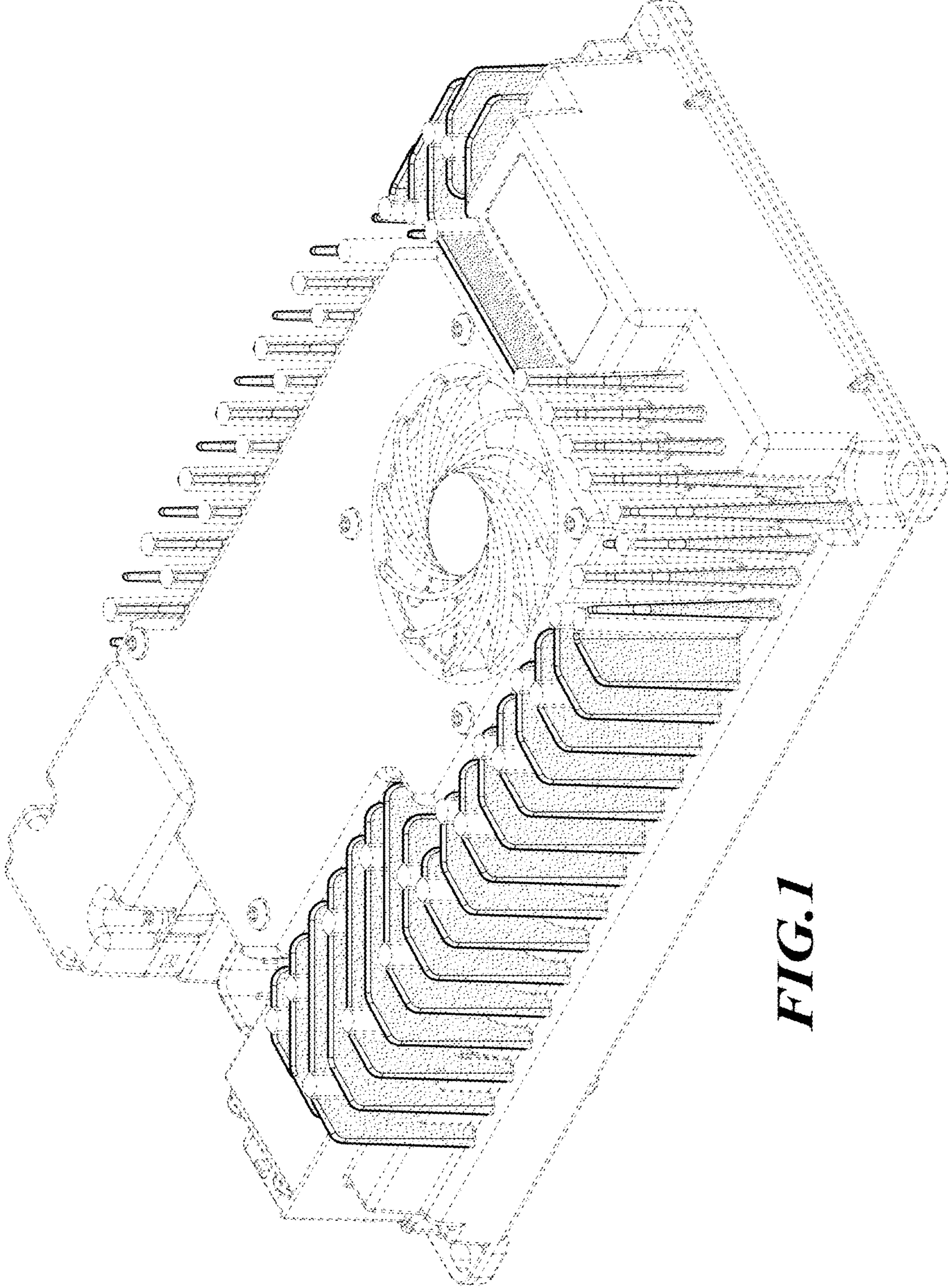


FIG. 1

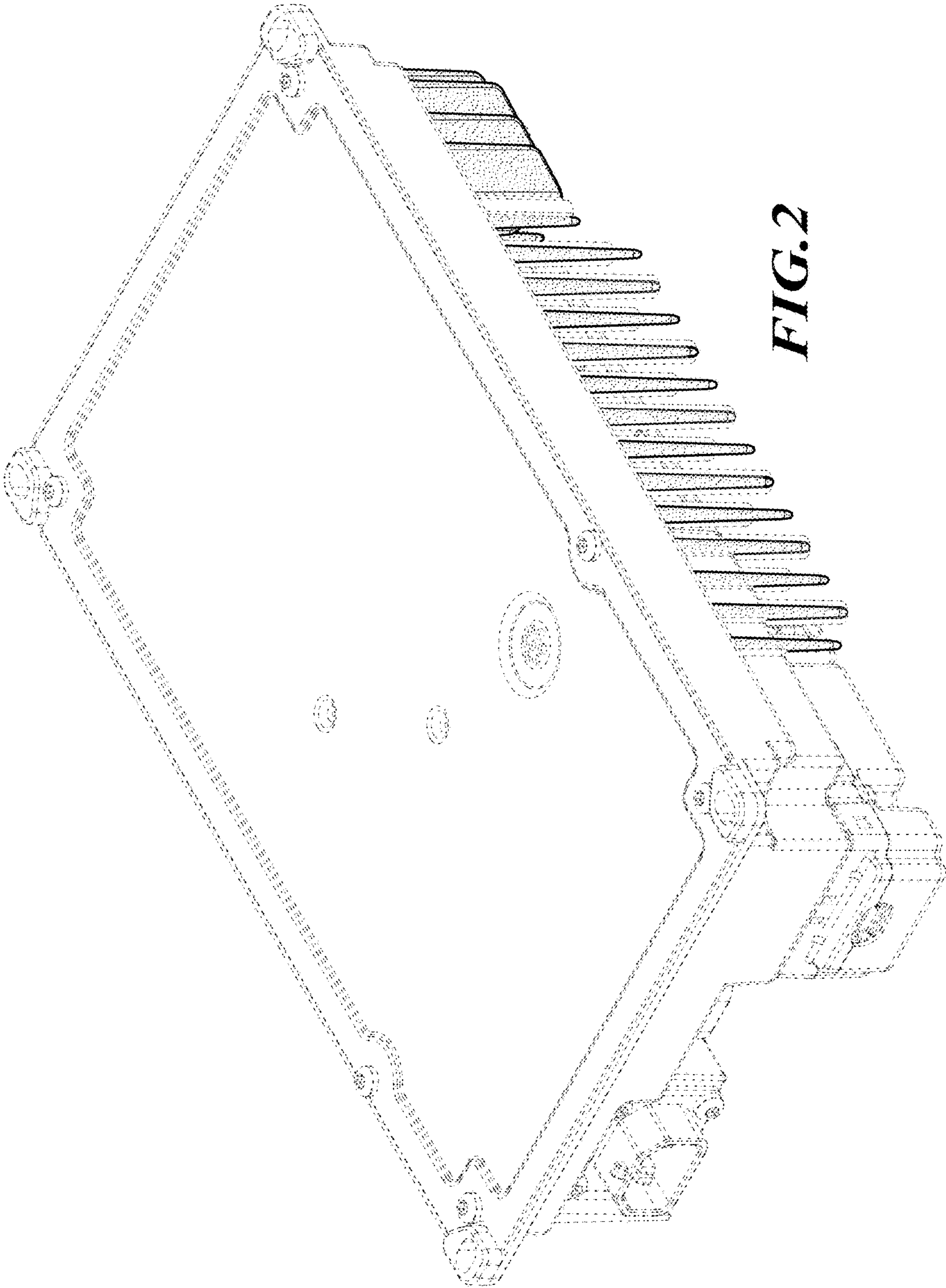


FIG. 2

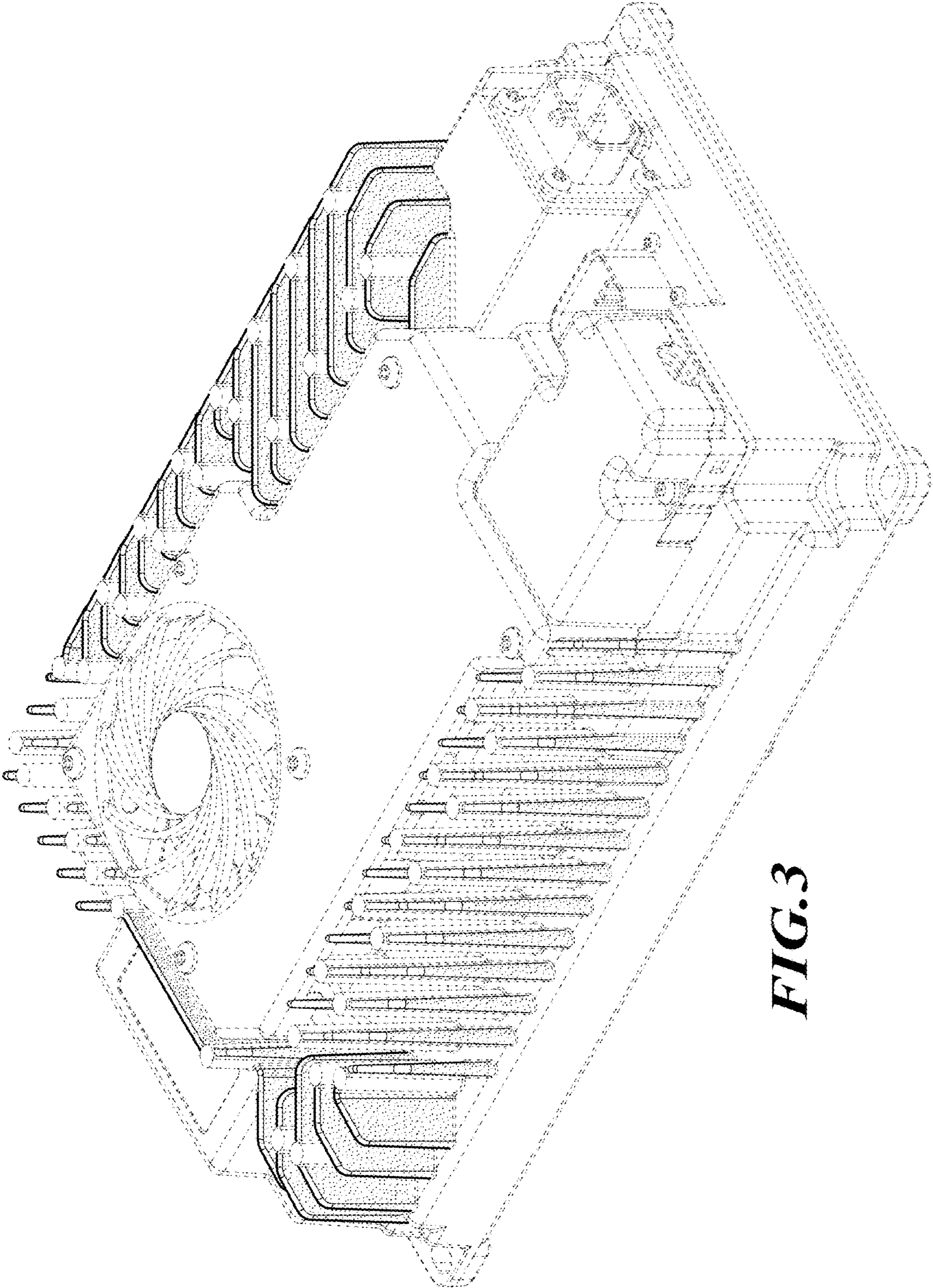


FIG. 3

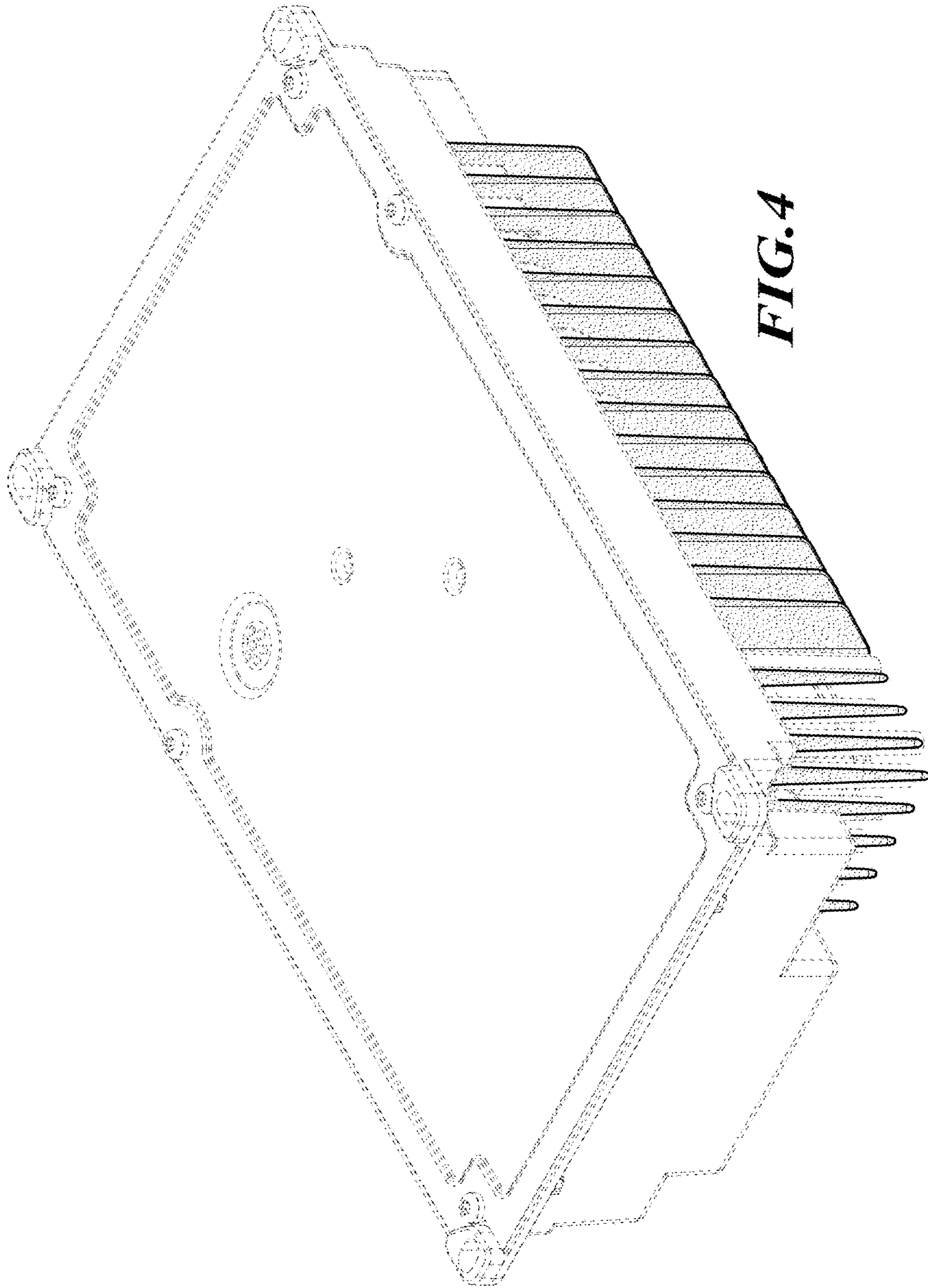


FIG.4

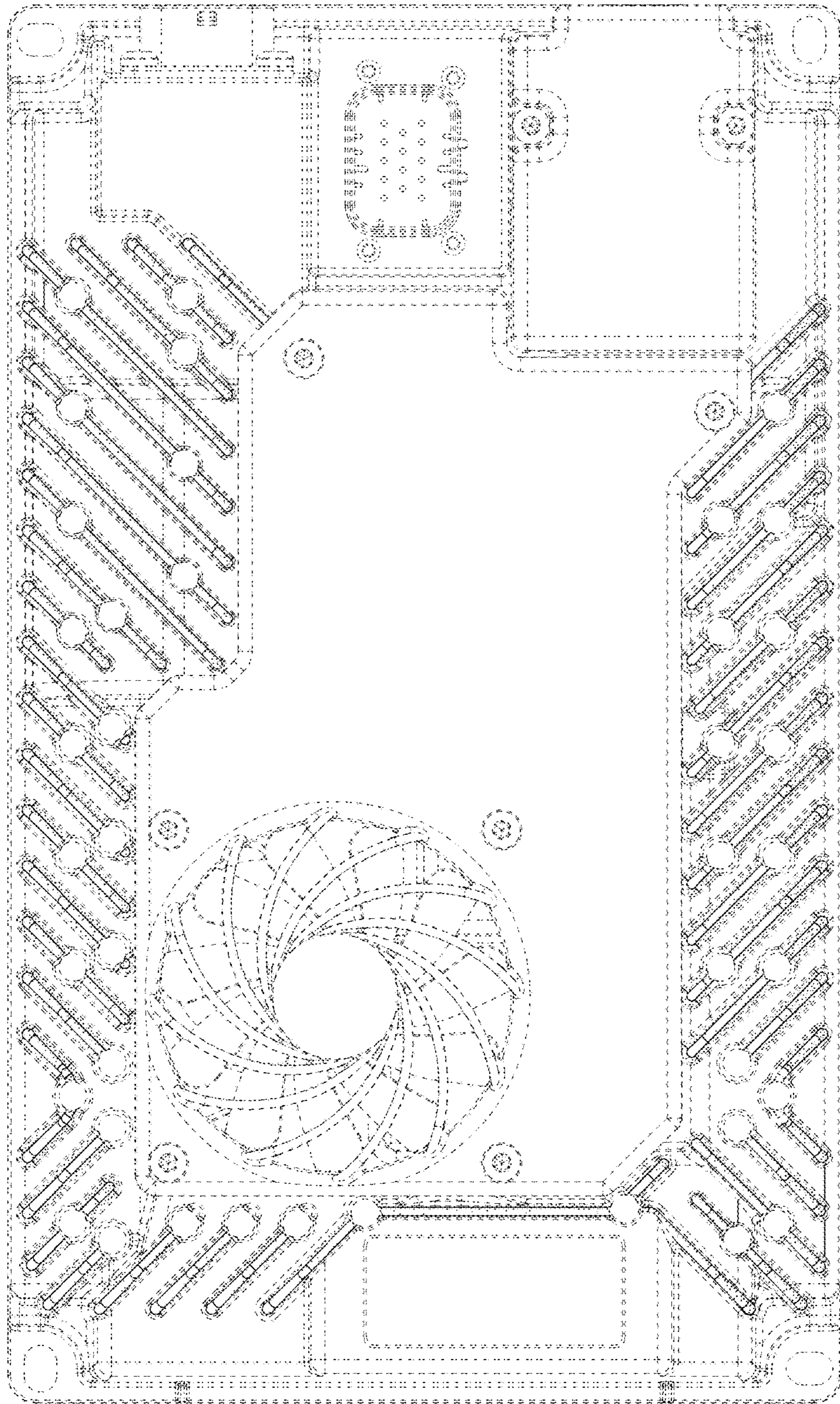


FIG. 5

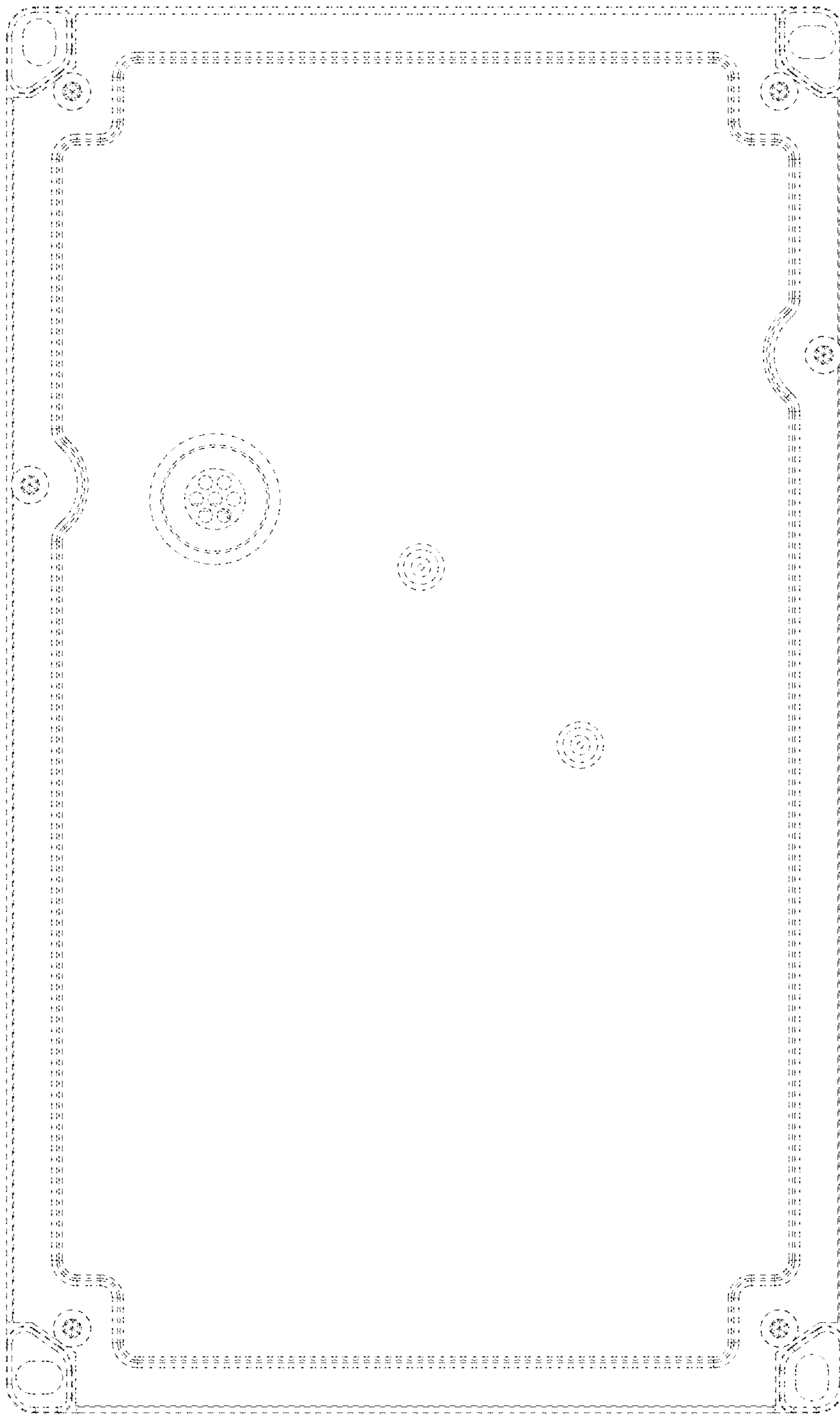


FIG. 6

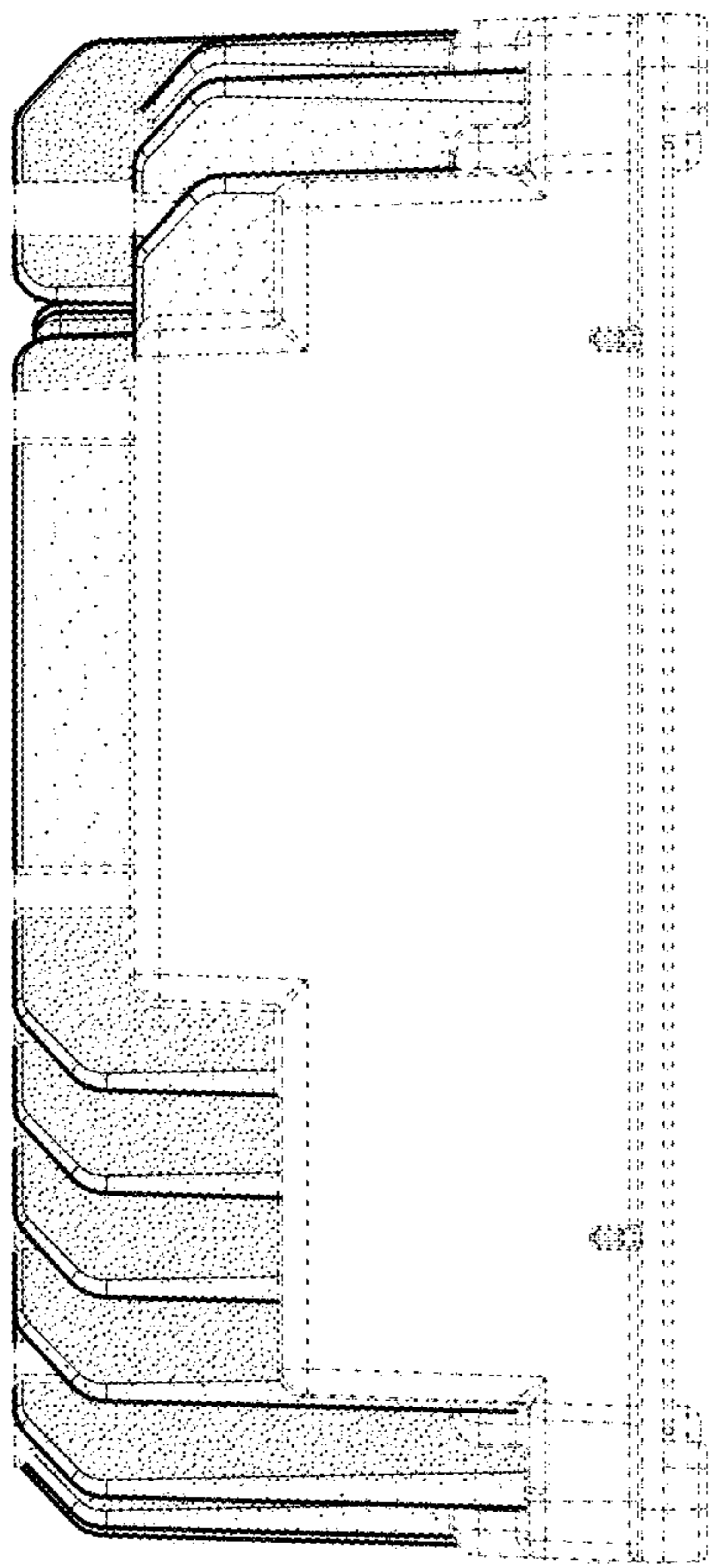


FIG. 7

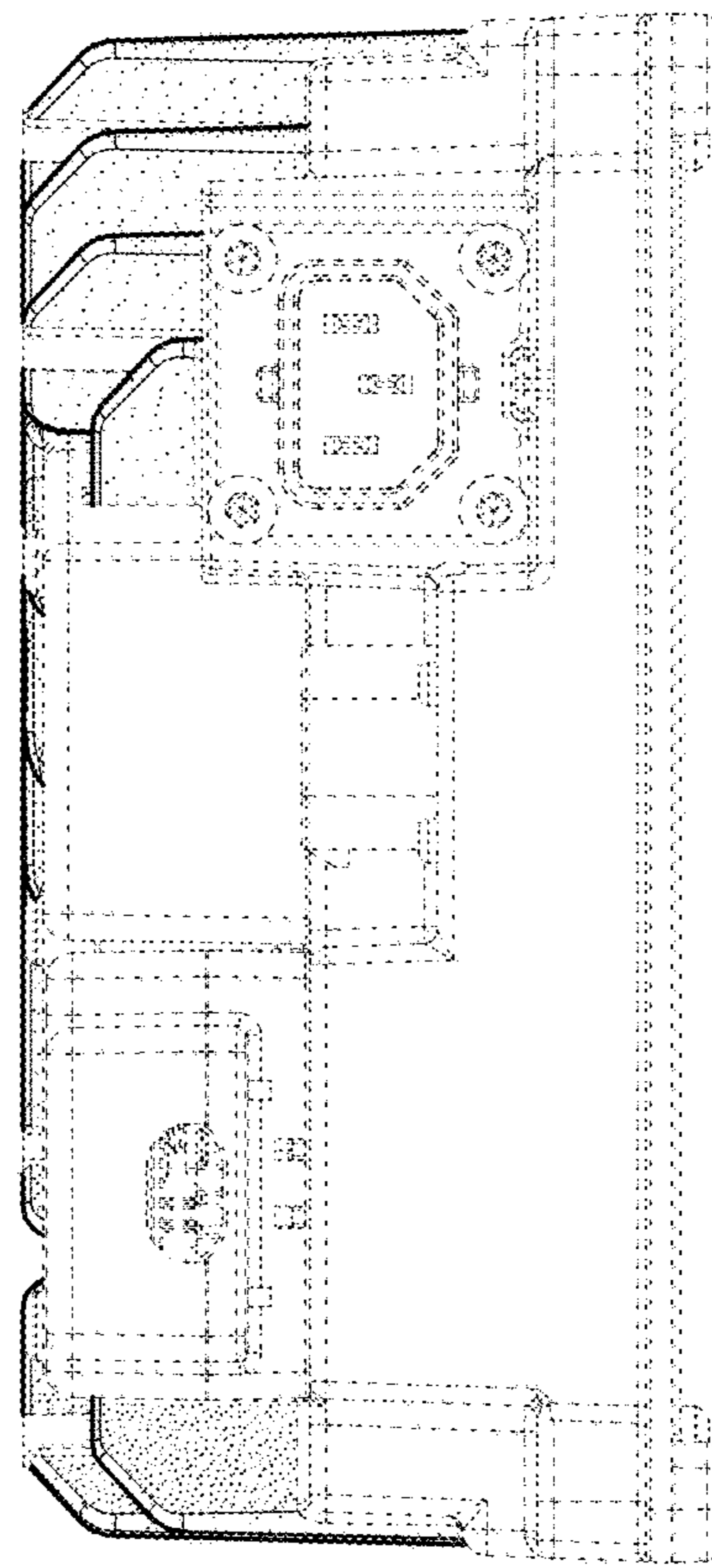


FIG. 8

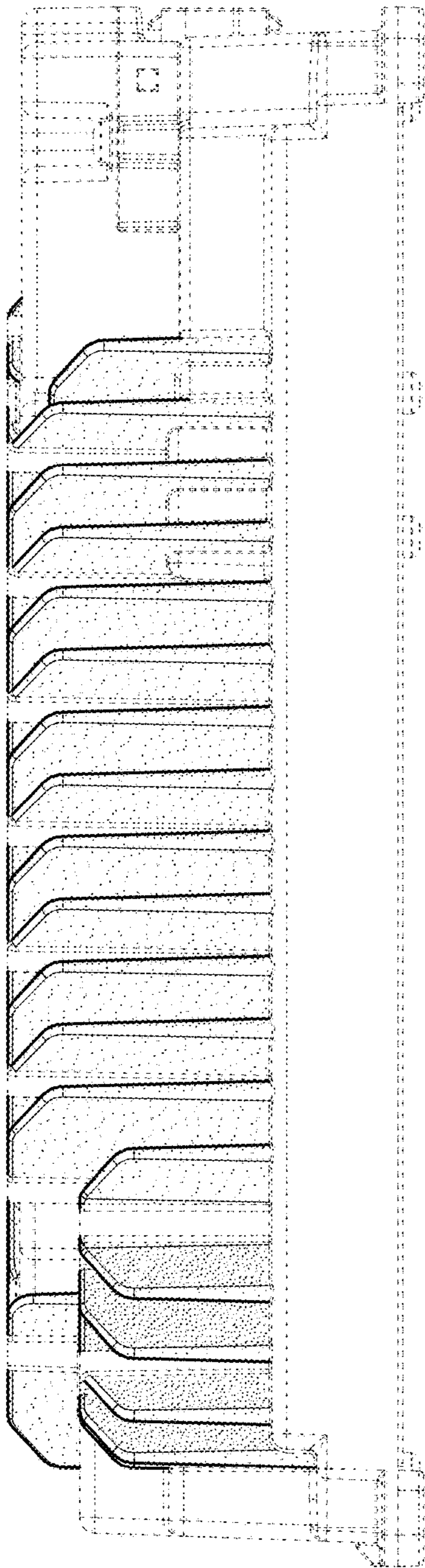


FIG. 9

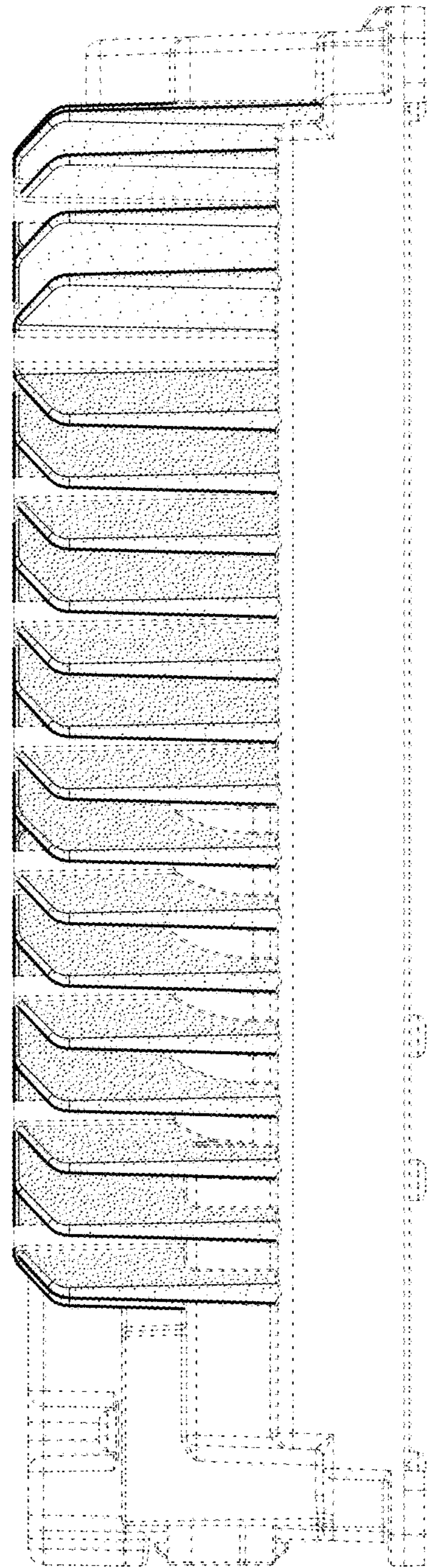


FIG. 10