



US00D815590S

(12) **United States Design Patent**  
**Kagimoto**

(10) **Patent No.:** **US D815,590 S**

(45) **Date of Patent:** **\*\* Apr. 17, 2018**

(54) **TIRE FOR AUTOMOBILE**  
(71) Applicant: **SUMITOMO RUBBER INDUSTRIES, LTD.**, Hyogo (JP)  
(72) Inventor: **Shuji Kagimoto**, Kobe (JP)  
(\*\*) Term: **15 Years**  
(21) Appl. No.: **35/501,759**  
(22) Filed: **Apr. 26, 2016**  
(80) **Hague Agreement Data**  
Int. Filing Date: **Apr. 26, 2016**  
Int. Reg. No.: **DM/090438**  
Int. Reg. Date: **Apr. 26, 2016**  
Int. Reg. Pub. Date: **Oct. 28, 2016**

(51) **LOC (11) Cl.** ..... **12-15**  
(52) **U.S. Cl.**  
USPC ..... **D12/594**  
(58) **Field of Classification Search**  
USPC ..... D12/533-567, 579, 587, 588, 594, 600, D12/900  
CPC . B60C 11/03; B60C 11/0306; B60C 11/0309; B60C 11/0311; B60C 11/0332; B60C 11/0337; B60C 11/11; B60C 11/12  
See application file for complete search history.

(56) **References Cited**  
U.S. PATENT DOCUMENTS  
D457,128 S \* 5/2002 Robert ..... D12/579  
D619,081 S \* 7/2010 Nicolas ..... D12/564  
D647,036 S \* 10/2011 Yamaguchi ..... D12/588  
D661,245 S \* 6/2012 Buchinger-Barnstorf ... D12/564  
D668,209 S \* 10/2012 De Benedittis ..... D12/594  
D675,981 S \* 2/2013 Kuwahara ..... D12/600  
D686,145 S \* 7/2013 Godin ..... D12/600  
D710,294 S \* 8/2014 Dixon ..... D12/588  
D720,686 S \* 1/2015 Koog ..... D12/566

D726,644 S \* 4/2015 Kuwahara ..... D12/602  
D735,117 S \* 7/2015 Koog ..... D12/564  
D738,815 S \* 9/2015 Dixon ..... D12/594  
D754,590 S \* 4/2016 Kristen ..... D12/580  
D759,582 S \* 6/2016 Nobunaga ..... D12/588  
D762,556 S \* 8/2016 Dixon ..... D12/583  
D765,583 S \* 9/2016 Wang ..... D12/579  
D779,417 S \* 2/2017 De Giacco ..... D12/594  
D780,097 S \* 2/2017 Fujioka ..... D12/574  
D780,105 S \* 2/2017 Renis ..... D12/594  
D781,224 S \* 3/2017 De Giacco ..... D12/594  
D791,681 S \* 7/2017 Zhang ..... D12/501  
D791,689 S \* 7/2017 Schuessler ..... D12/594  
D792,334 S \* 7/2017 Fujioka ..... D12/574  
D792,335 S \* 7/2017 Dixon ..... D12/588  
D795,176 S \* 8/2017 Farinelle ..... D12/602  
2016/0059638 A1 \* 3/2016 Matsuda ..... B60C 11/0311  
152/209.25

\* cited by examiner

*Primary Examiner* — Darlington Ly

(57) **CLAIM**

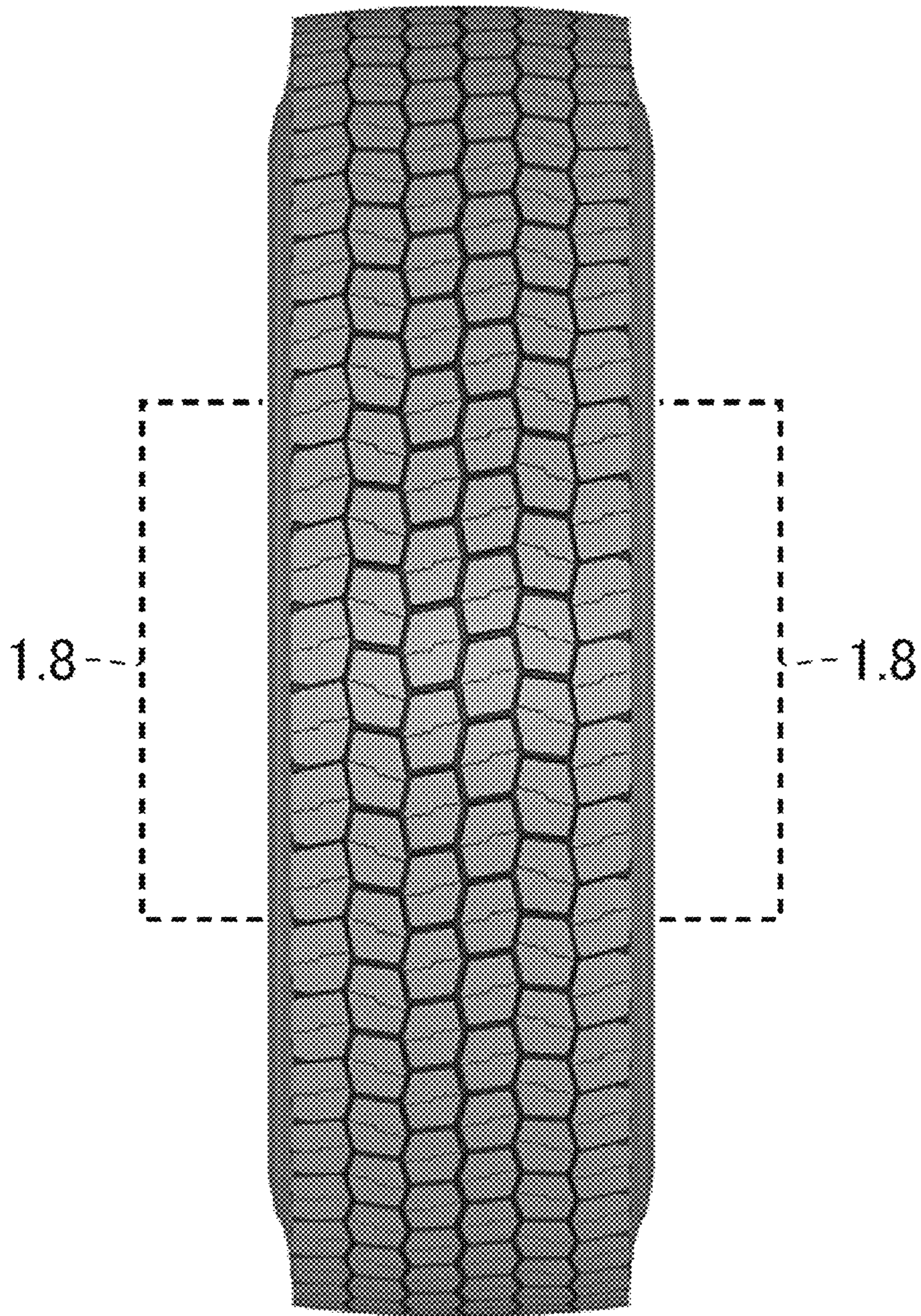
The ornamental design for a tire for automobile, as shown and described.

**DESCRIPTION**

1. Tire for automobile  
**1.1** is a front elevation view of a tire for automobile showing my new design;  
**1.2** is a rear elevation view thereof;  
**1.3** is a top plan view thereof;  
**1.4** is a bottom plan view thereof;  
**1.5** is a right side elevation view thereof;  
**1.6** is a left side elevation view thereof;  
**1.7** is a perspective view thereof; and  
**1.8** is an enlarged partial front elevation view thereof, wherein the enlargement area is indicated by the broken line bracket marked **1.8** in **1.1**.  
The ghosted or low contrasted showing of portions of the tire for automobile do not form part of the claimed design.

**1 Claim, 8 Drawing Sheets**

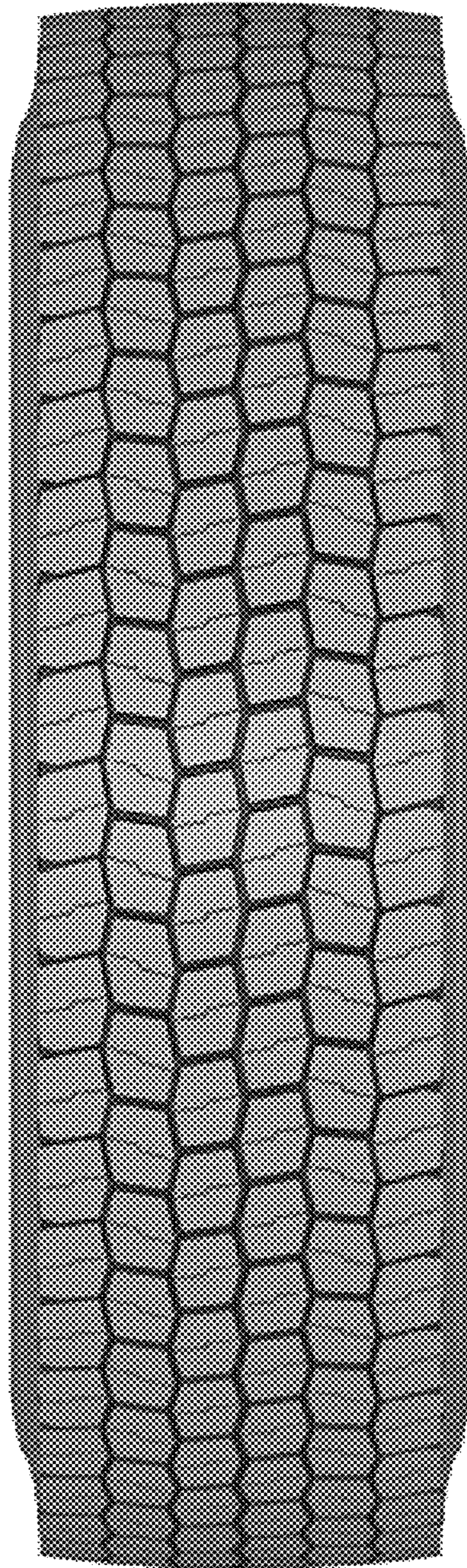




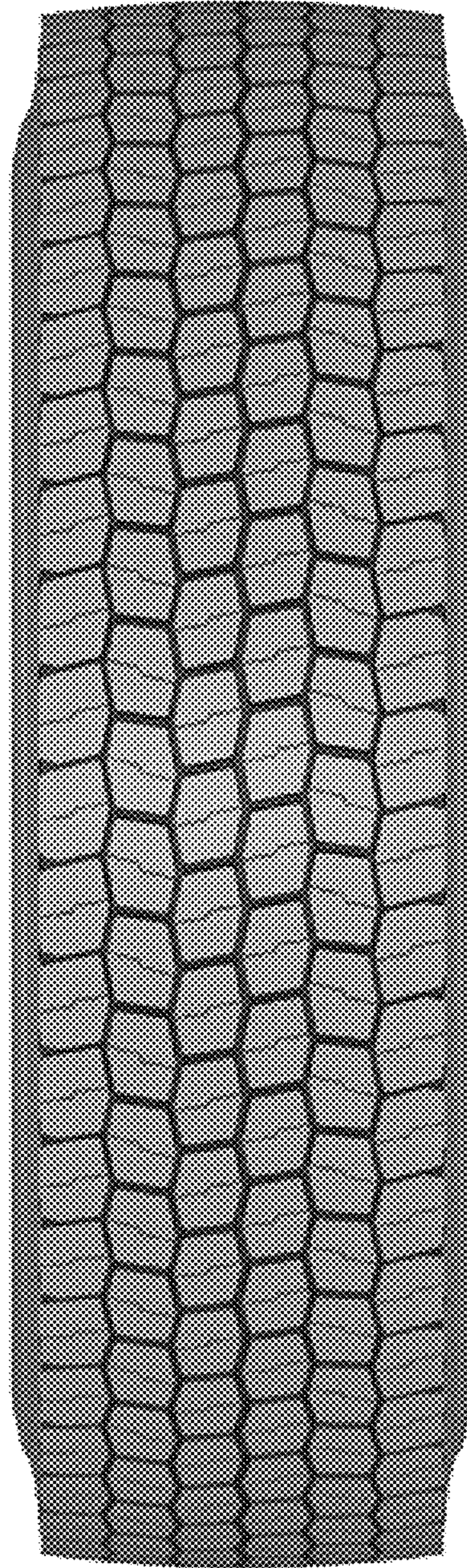
1.1



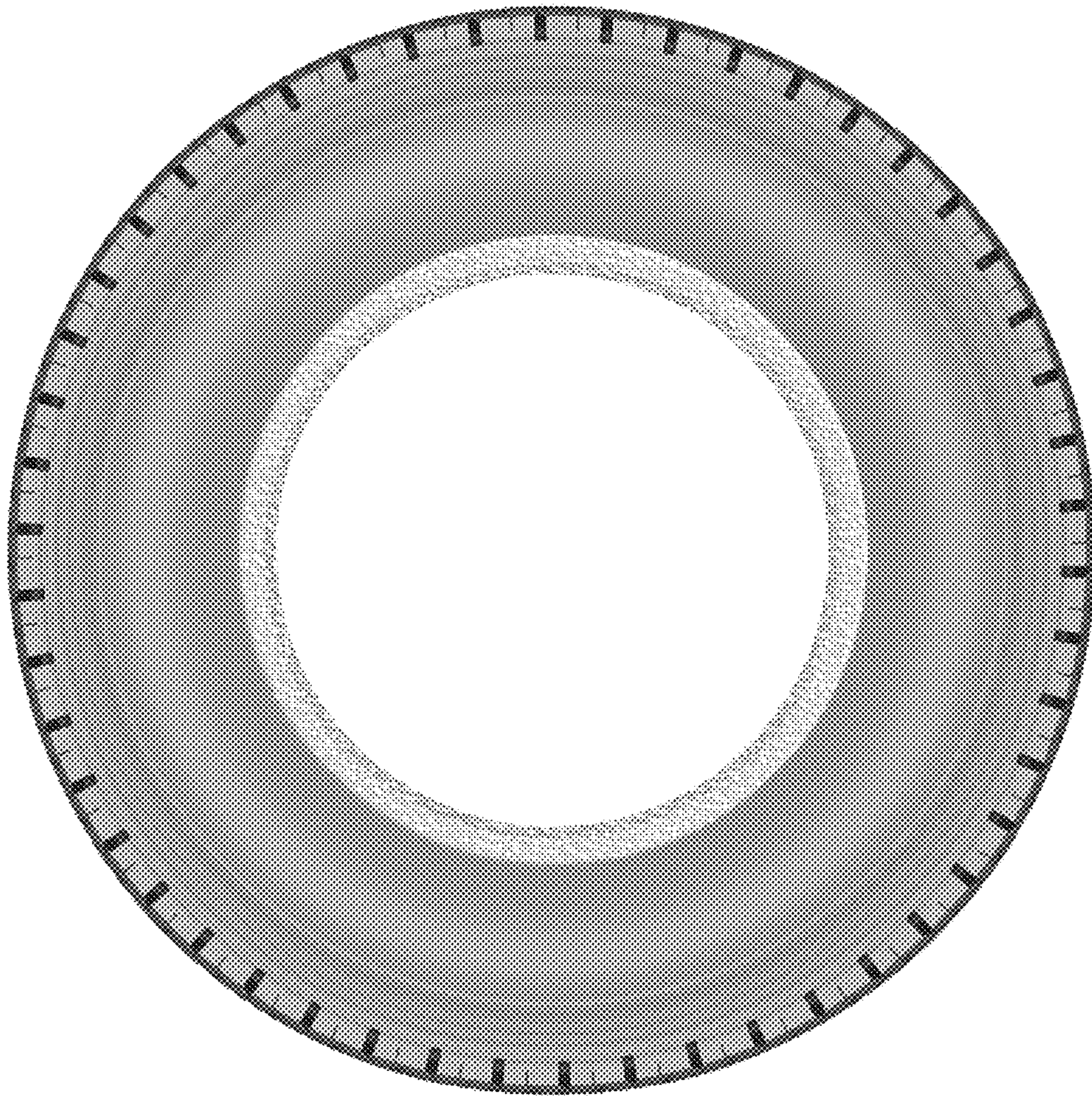
1.2



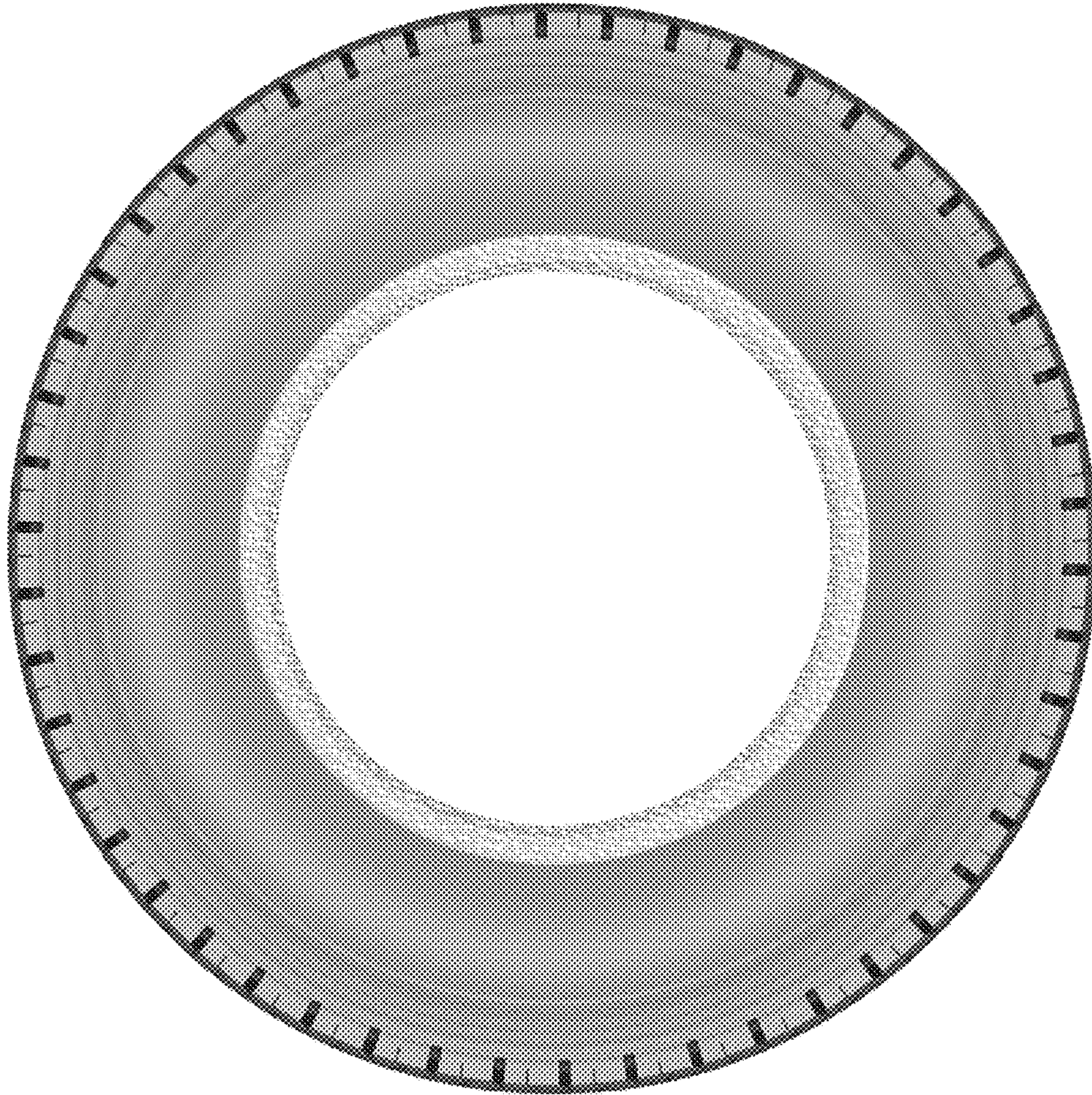
1.3



1.4



1.5



1.6





