



US00D815589S

(12) **United States Design Patent**  
**Petr**

(10) **Patent No.:** **US D815,589 S**

(45) **Date of Patent:** **\*\* Apr. 17, 2018**

(54) **TIRE TREAD**

(71) Applicant: **COOPER TIRE & RUBBER COMPANY**, Findlay, OH (US)

(72) Inventor: **Matthew J. Petr**, Findlay, OH (US)

(73) Assignee: **COOPER TIRE & RUBBER COMPANY**, Findlay, OH (US)

(\*\*) Term: **15 Years**

(21) Appl. No.: **29/598,061**

(22) Filed: **Mar. 22, 2017**

(51) **LOC (11) Cl.** ..... **12-15**

(52) **U.S. Cl.**  
USPC ..... **D12/588**

(58) **Field of Classification Search**  
USPC ..... D12/586, 587, 588, 589, 590, 594, 600, D12/601  
CPC ..... B60C 2011/0388; B60C 11/04  
See application file for complete search history.

(56) **References Cited**

**U.S. PATENT DOCUMENTS**

|            |   |         |                  |       |         |
|------------|---|---------|------------------|-------|---------|
| D386,132 S | * | 11/1997 | Villamizar       | ..... | D12/588 |
| D418,461 S |   | 1/2000  | Markoff et al.   |       |         |
| D426,178 S |   | 6/2000  | Weber et al.     |       |         |
| D427,551 S |   | 7/2000  | Weber            |       |         |
| D432,956 S |   | 10/2000 | Ricquet          |       |         |
| D432,957 S |   | 10/2000 | Ricquet          |       |         |
| D483,007 S |   | 12/2003 | Brayer et al.    |       |         |
| D531,116 S |   | 10/2006 | Heinen et al.    |       |         |
| D579,865 S |   | 11/2008 | Matsuyama et al. |       |         |
| D581,346 S |   | 11/2008 | Shondel et al.   |       |         |
| D612,327 S |   | 3/2010  | Yonetsu          |       |         |

|            |   |         |                |       |         |
|------------|---|---------|----------------|-------|---------|
| D676,802 S |   | 2/2013  | Takei          |       |         |
| D719,502 S |   | 12/2014 | Shimizu et al. |       |         |
| D728,464 S |   | 5/2015  | Kudo et al.    |       |         |
| D737,753 S |   | 9/2015  | Wang           |       |         |
| D740,215 S | * | 10/2015 | Wang           | ..... | D12/588 |
| D744,406 S |   | 12/2015 | Bosch Alsina   |       |         |
| D744,411 S | * | 12/2015 | Tian           | ..... | D12/588 |
| D757,642 S |   | 5/2016  | Kwak           |       |         |
| D764,392 S |   | 8/2016  | Fu et al.      |       |         |

\* cited by examiner

*Primary Examiner* — Robert M. Spear

(74) *Attorney, Agent, or Firm* — Fay Sharpe LLP

(57) **CLAIM**

The ornamental design for a tire tread, as shown and described.

**DESCRIPTION**

FIG. 1 is a perspective view of a tire tread of the present application;

FIG. 2 is a front view thereof;

FIG. 3 is side view thereof;

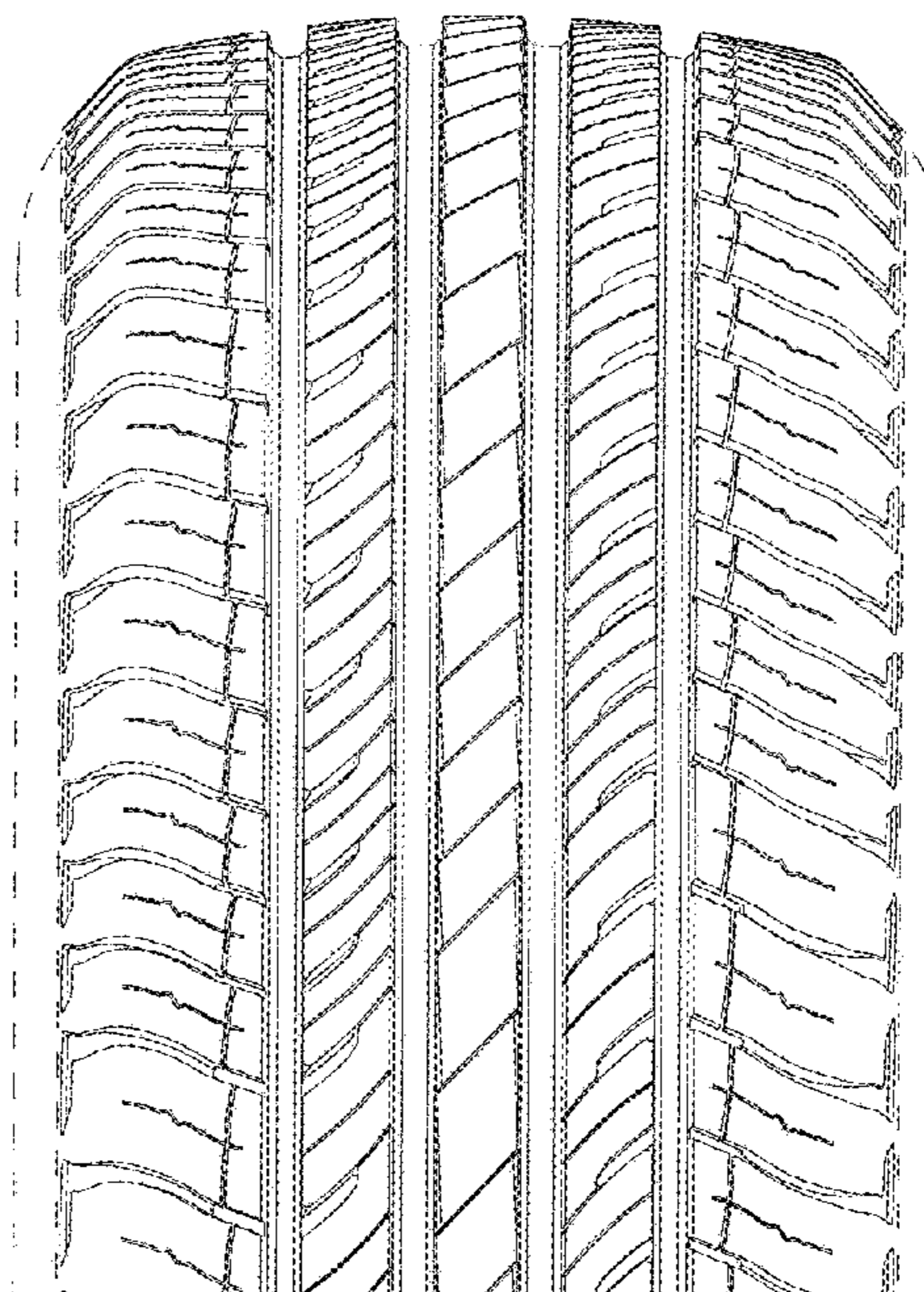
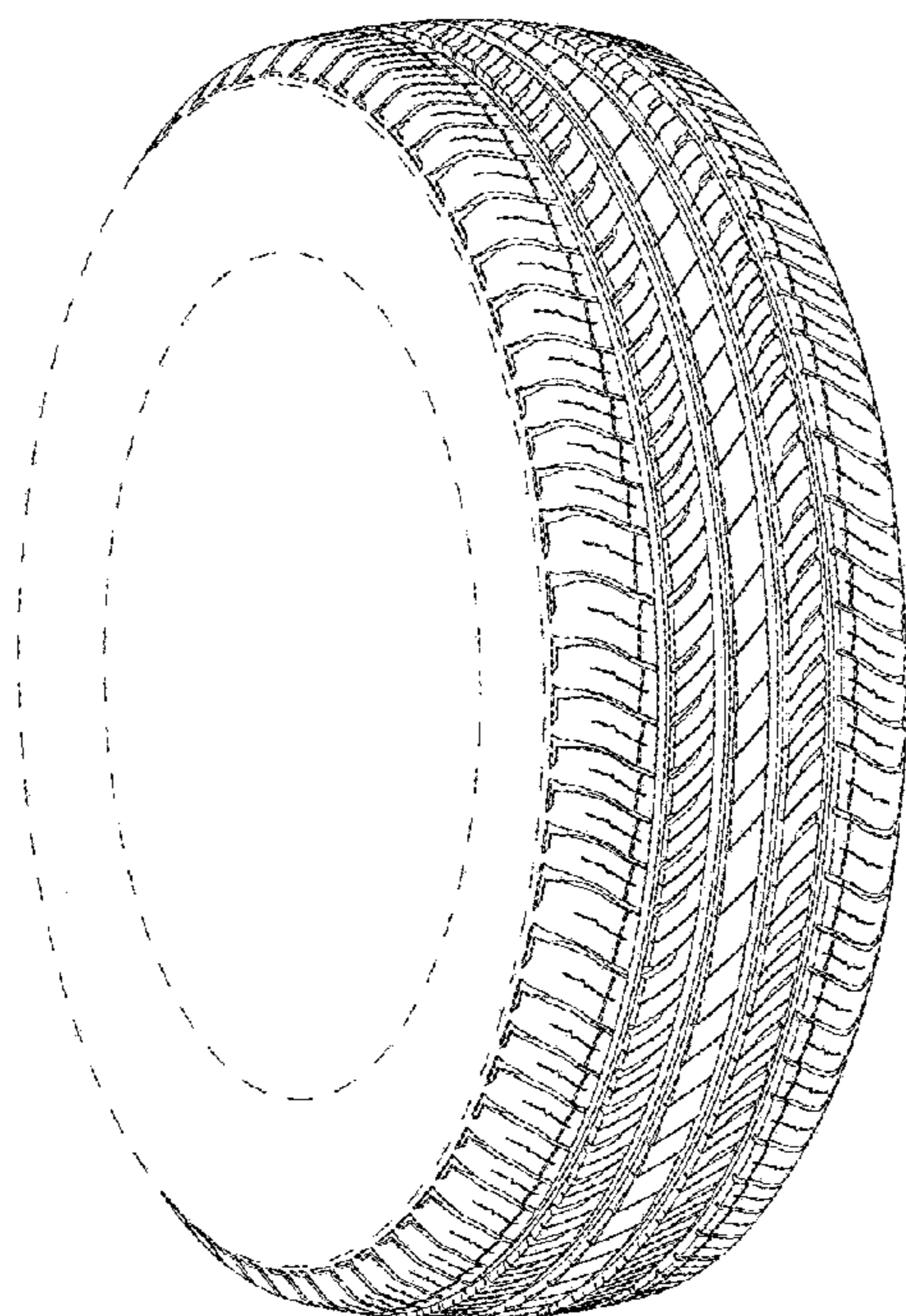
FIG. 4 is an enlarged partial perspective view thereof;

FIG. 5 is an enlarged partial front view thereof; and,

FIG. 6 is an enlarged partial side view thereof.

The region between the inner bead and the sidewall (identified by and including the broken lines) depicts subject matter that forms no part of the claimed tire tread design, and is included for the purpose of illustrating the full tire. The tread pattern is understood to repeat throughout the circumference of the tire. The other side view is identical to the illustrated side view of FIGS. 3 and 6.

**1 Claim, 6 Drawing Sheets**



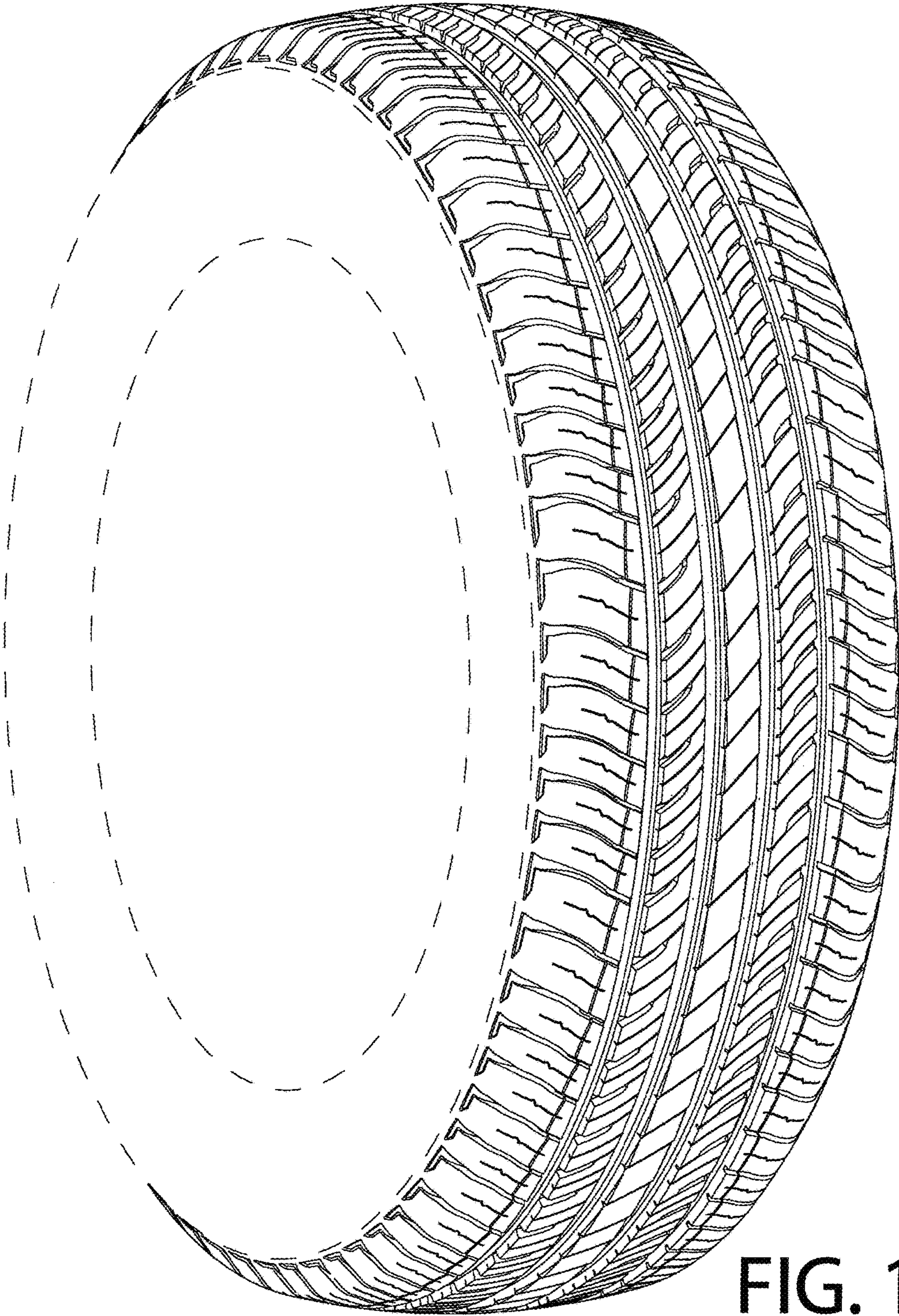


FIG. 1

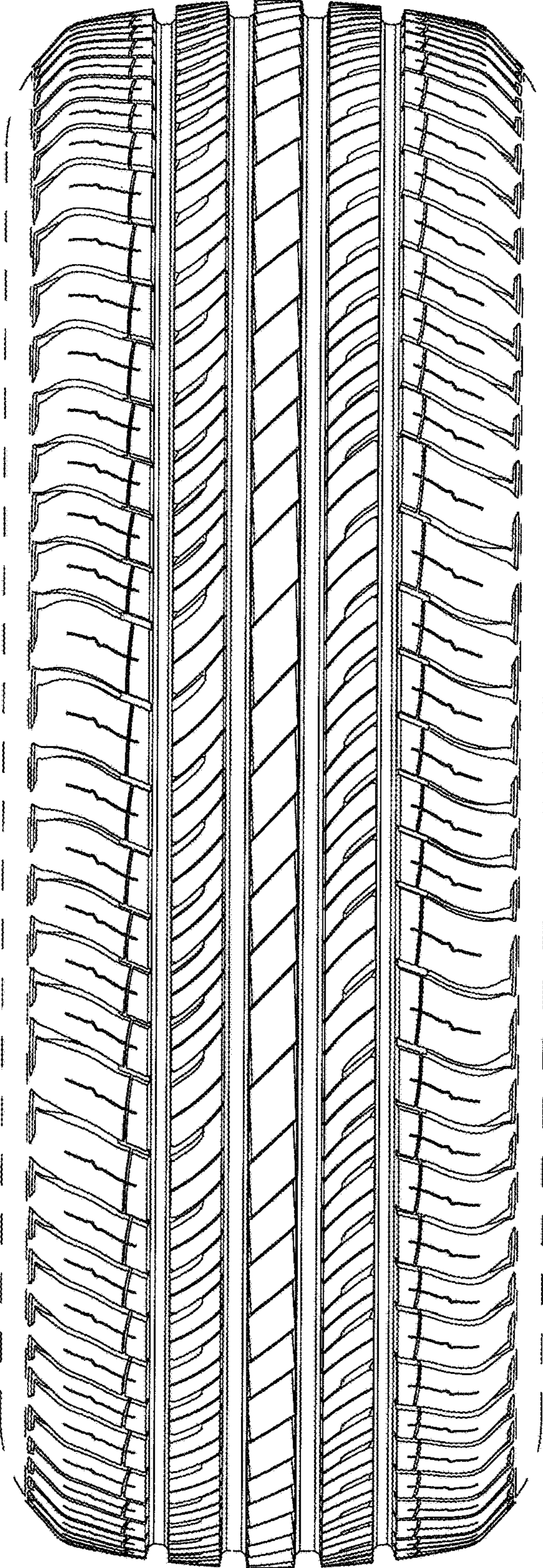


FIG. 2

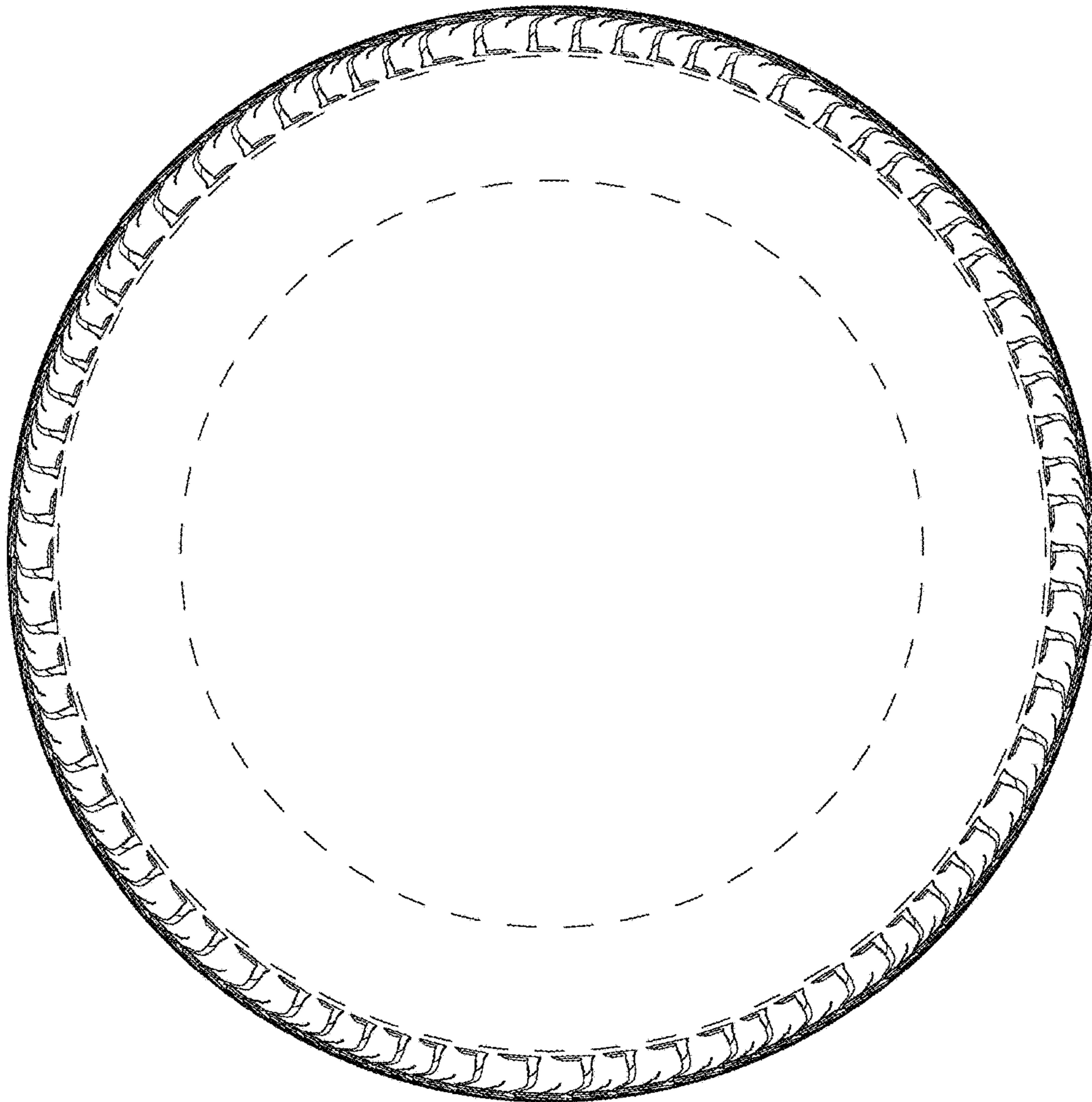


FIG.3

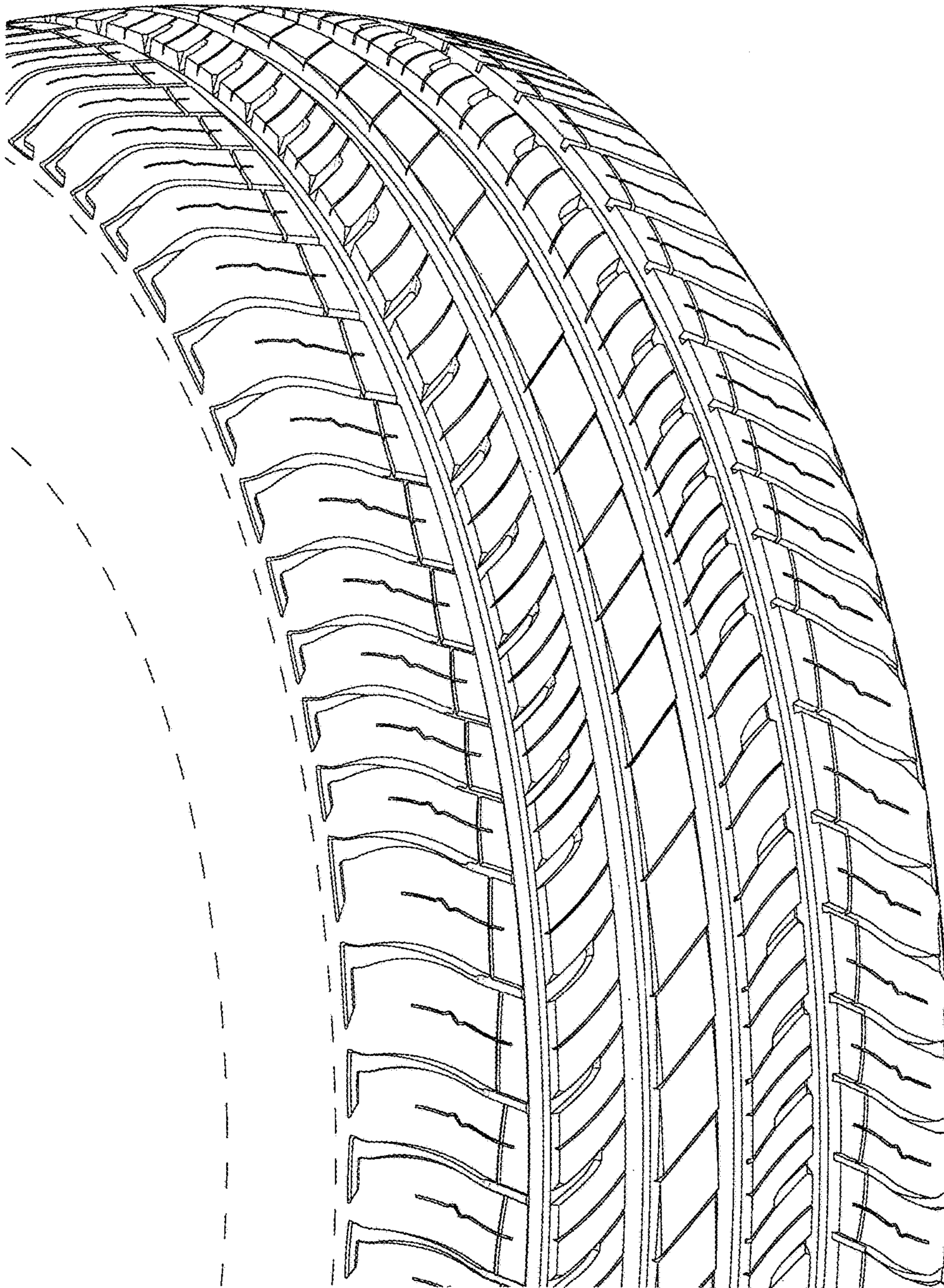


FIG. 4

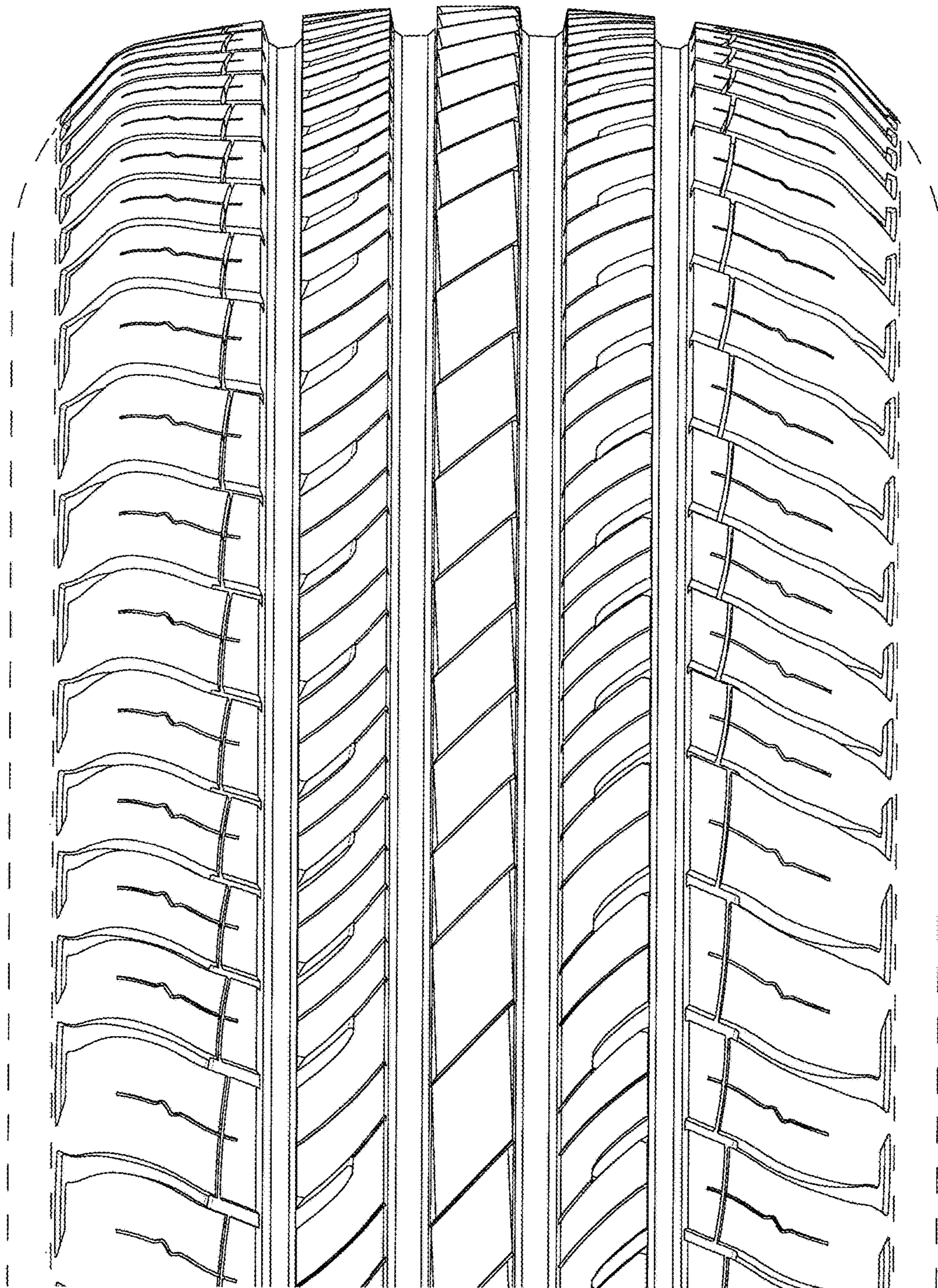


FIG. 5

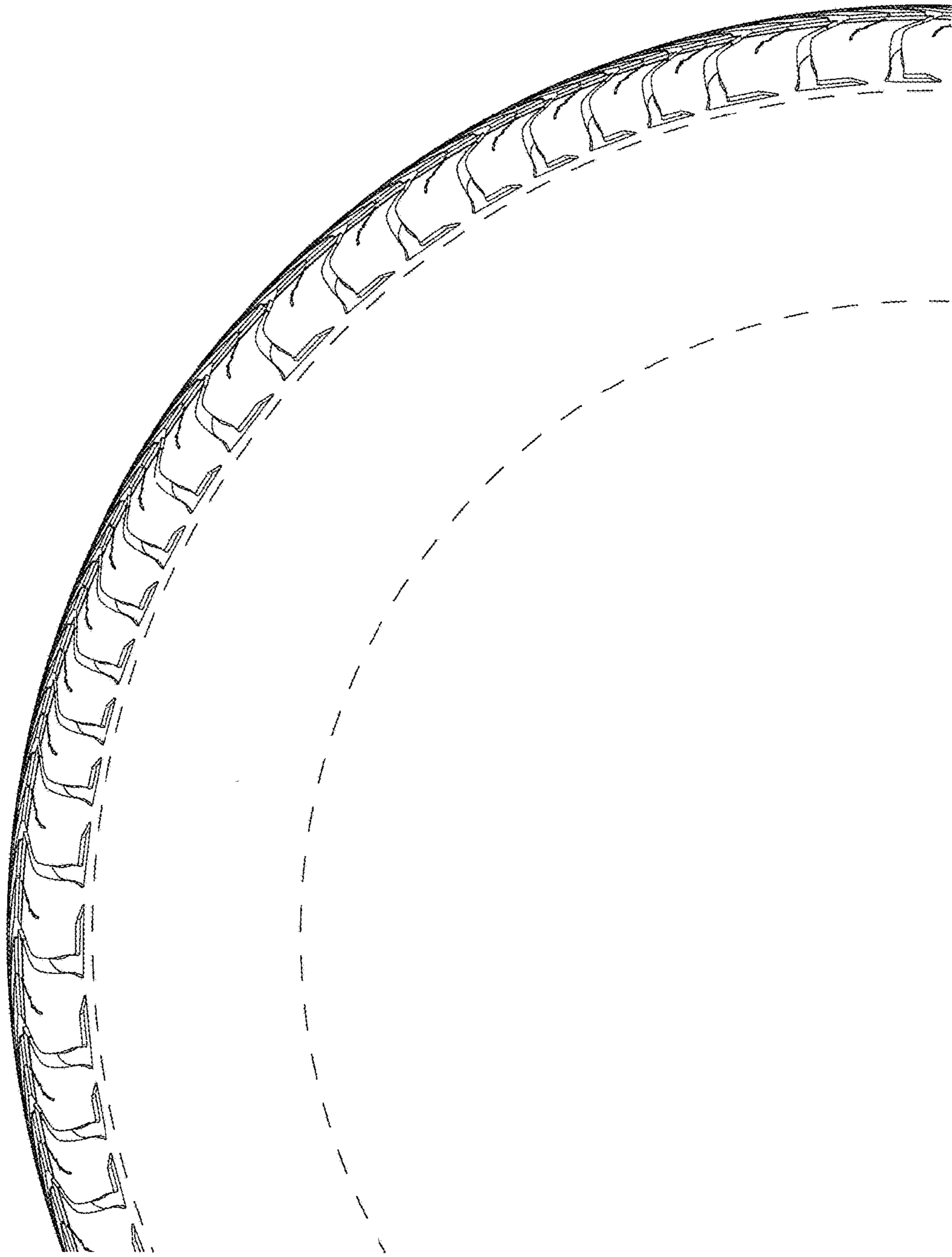


FIG.6