



US00D815586S

(12) **United States Design Patent** (10) **Patent No.:** **US D815,586 S**
Sareen (45) **Date of Patent:** **** Apr. 17, 2018**

(54) **TIRE TREAD**
(71) Applicant: **Omni United (S) PTE Ltd.**, Singapore (SG)
(72) Inventor: **Gajendra Singh Sareen**, Singapore (SG)
(73) Assignee: **OMNI UNITED (S) PTE LTD.**, Singapore (SG)
(**) Term: **14 Years**
(21) Appl. No.: **29/522,692**

D610,970 S *	3/2010	You	D12/590
D613,235 S *	4/2010	Kossi	D12/521
D622,655 S *	8/2010	Ohashi	D12/519
D648,668 S *	11/2011	Kujime	D12/519
D661,241 S *	6/2012	Sareen	D12/515
D667,360 S *	9/2012	Ishida	D12/523
D669,019 S *	10/2012	Sareen	D12/531
D700,878 S *	3/2014	Takemoto	D12/523
D710,291 S *	8/2014	Mosko	D12/519
D722,010 S *	2/2015	Tian	D12/521
D729,724 S *	5/2015	Mathis	D12/523
D737,752 S *	9/2015	Shondel	D12/521
D743,872 S *	11/2015	Huang	D12/519
D764,390 S *	8/2016	Umstot	D12/584
D769,799 S *	10/2016	Sareen	D12/590

* cited by examiner

(22) Filed: **Apr. 1, 2015**
(51) **LOC (11) Cl.** **12-15**
(52) **U.S. Cl.**
USPC **D12/522**
(58) **Field of Classification Search**
USPC D12/505-532
CPC B60C 11/0302; B60C 11/0304; B60C 11/0306; B60C 11/0309; B60C 11/0311; B60C 11/0318; B60C 11/0337; B60C 11/0339; B60C 11/042; B60C 11/00; B60C 11/11; B60C 11/12; B60C 11/13
See application file for complete search history.

Primary Examiner — Sandra S Snapp
Assistant Examiner — Katherine Glennon
(74) *Attorney, Agent, or Firm* — Steptoe & Johnson LLP

(57) **CLAIM**

I claim the ornamental design for a tire tread, as shown and described.

DESCRIPTION

FIG. 1 is a perspective view of the tire tread;
FIG. 2 is an enlarged view thereof;
FIG. 3 is a front view of the tire tread;
FIG. 4 is an enlarged view thereof;
FIG. 5 is a side view of the tire tread;
FIG. 6 is an enlarged view thereof;
FIG. 7 is another side view of the tire tread; and,
FIG. 8 is an enlarged view thereof.
In FIGS. 1-8, the dash/dot/dash/dot broken lines depict claim boundaries and form no part of the claim; the evenly spaced broken lines illustrate portions of the tire, sidewall, and inner bead and form no part of the claimed design.

(56) **References Cited**
U.S. PATENT DOCUMENTS
D460,402 S * 7/2002 Ishida D12/523
D483,005 S * 12/2003 Hirai D12/519
D490,045 S * 5/2004 Delu D12/519
D501,179 S * 1/2005 Iga D12/518
D524,233 S * 7/2006 Marazzi D12/521
D531,108 S * 10/2006 Marazzi D12/523
D558,125 S * 12/2007 Miyabe D12/518
D560,595 S * 1/2008 Bindner D12/521
D597,474 S * 8/2009 Yamakawa D12/519
D604,231 S * 11/2009 Hada D12/586

1 Claim, 8 Drawing Sheets

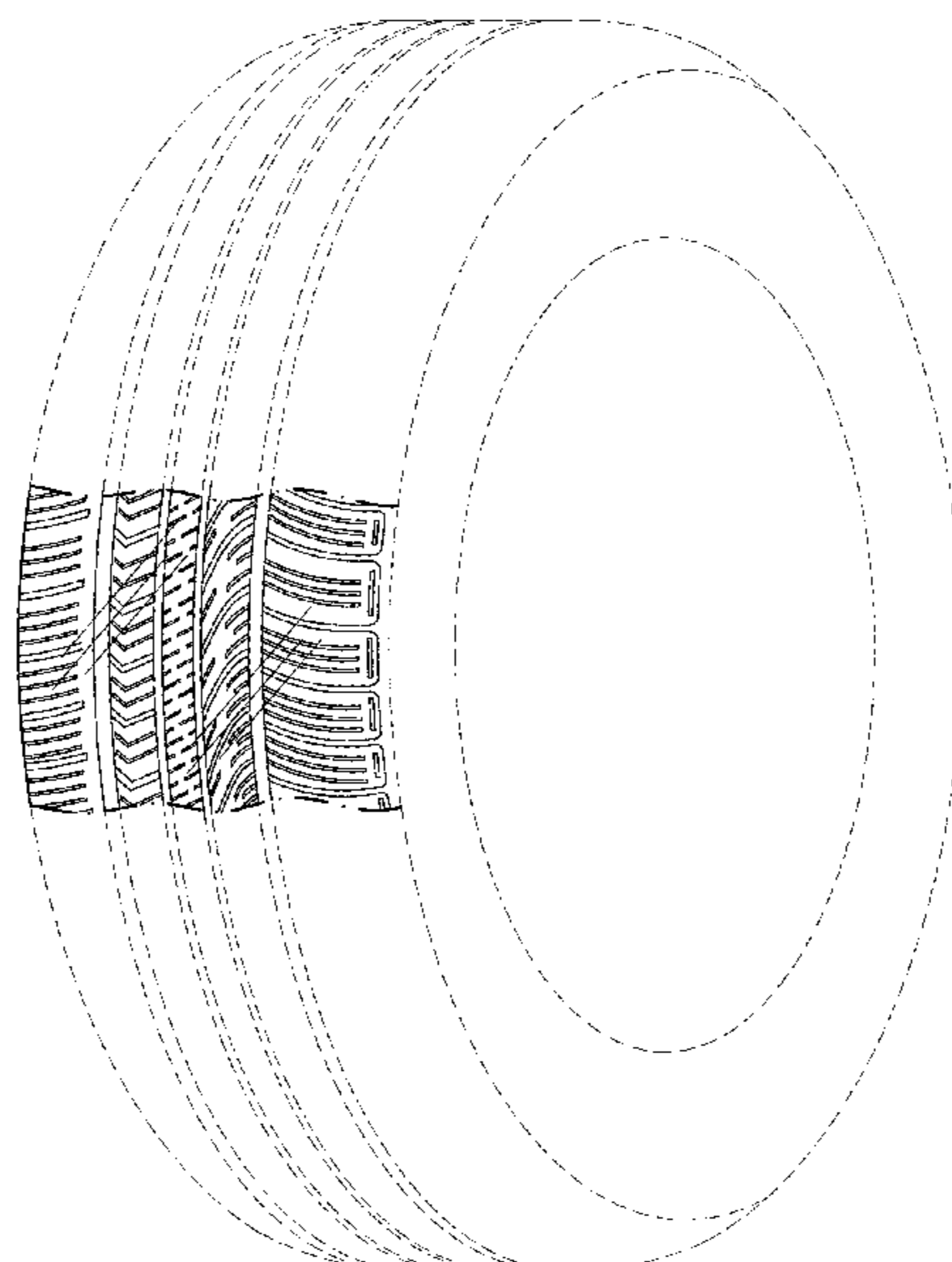


FIG. 1

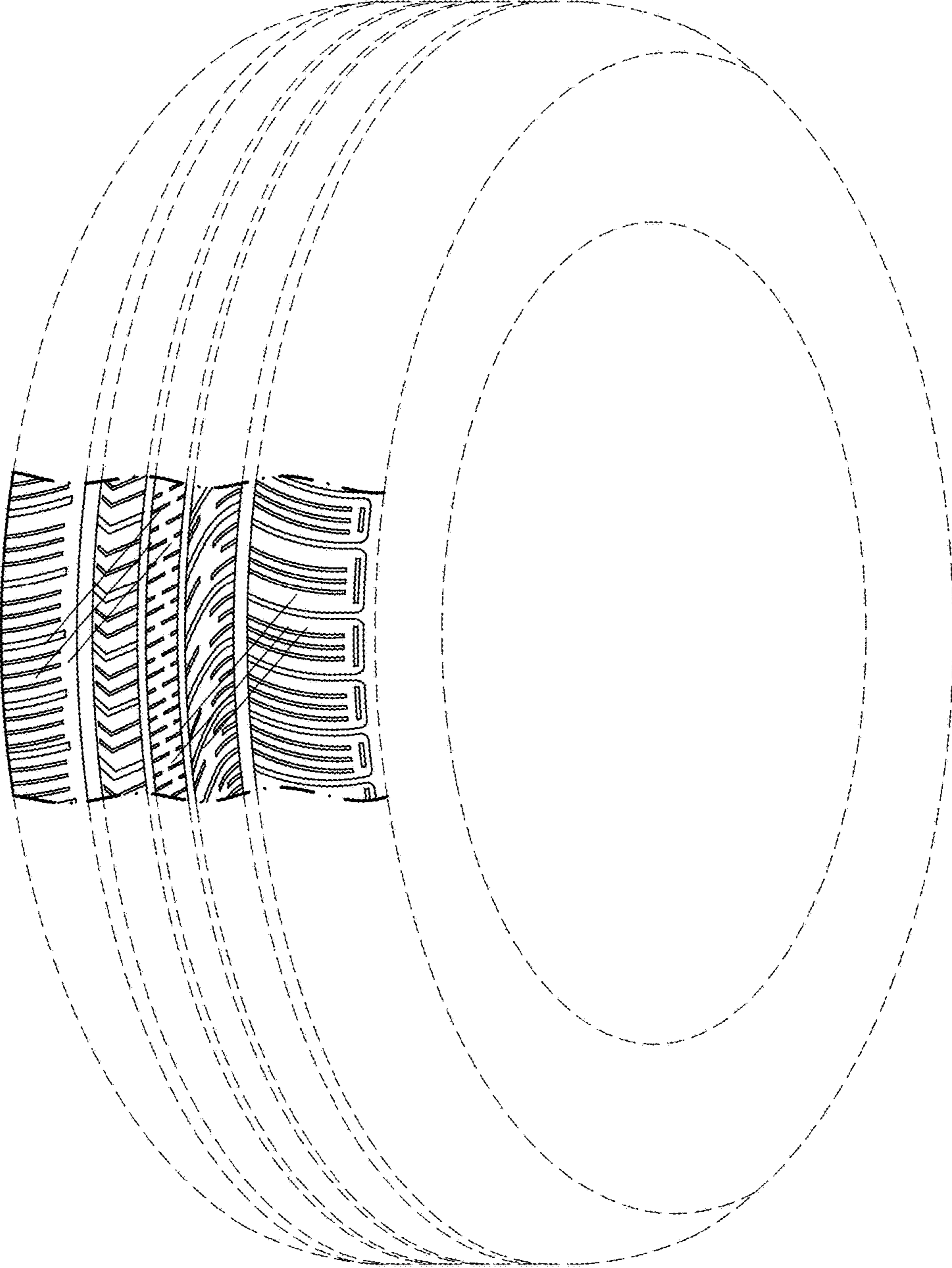


FIG. 2

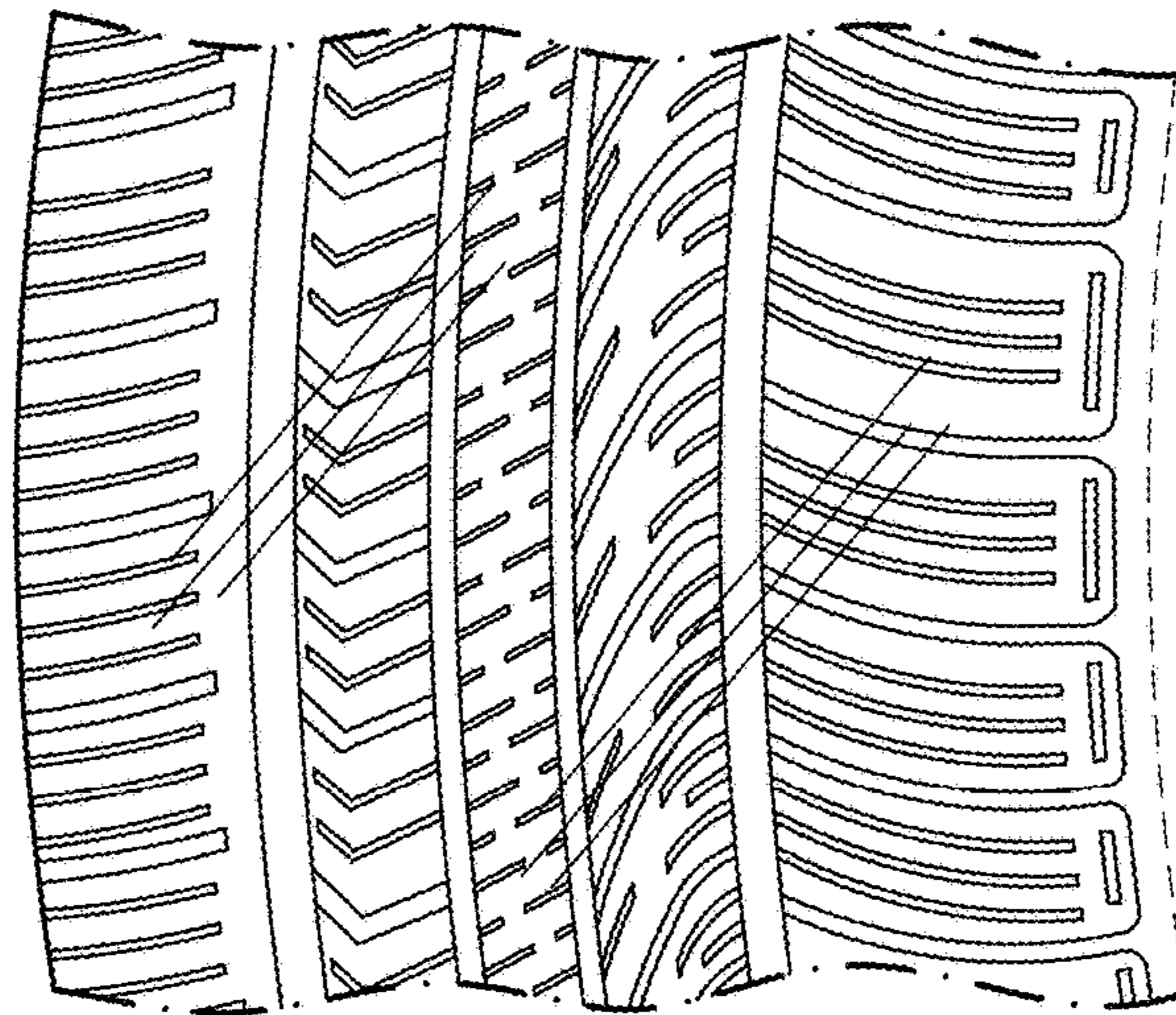


FIG. 3

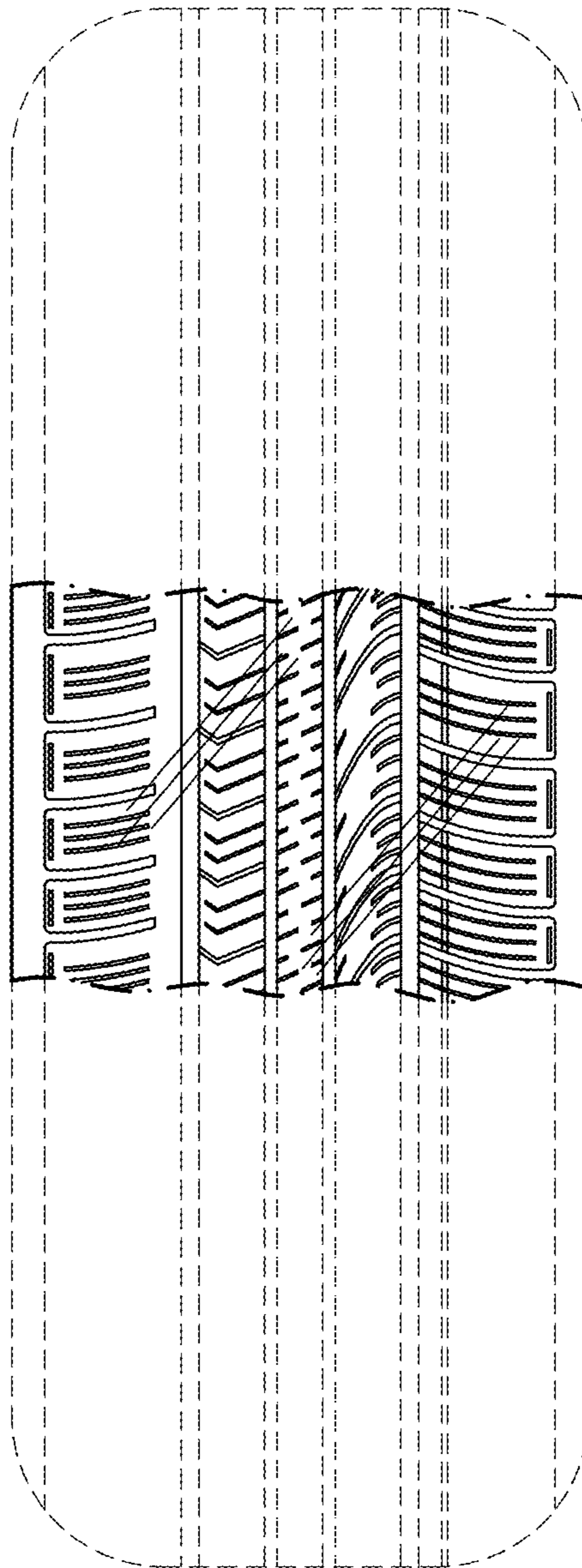


FIG. 4

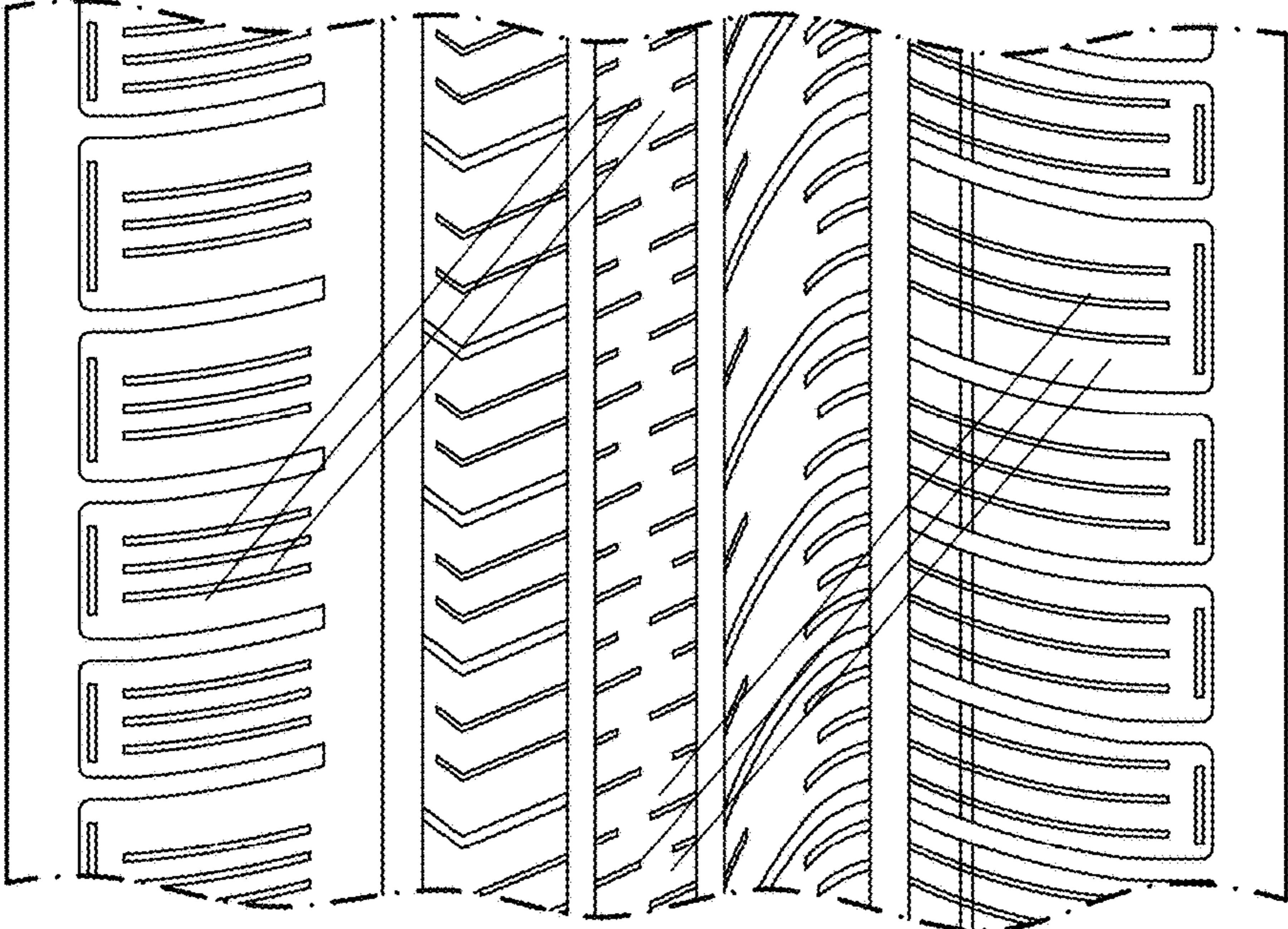
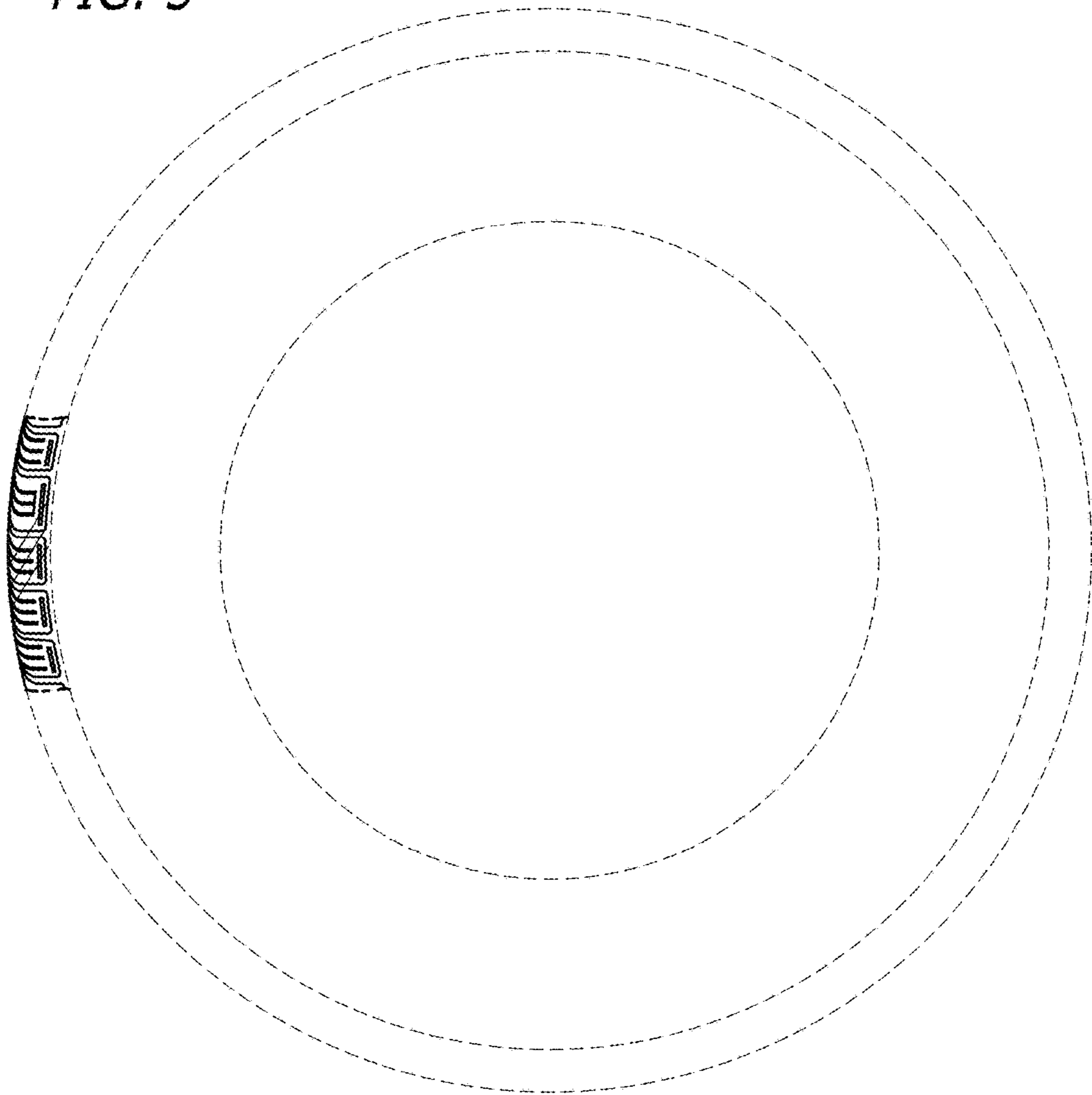


FIG. 5



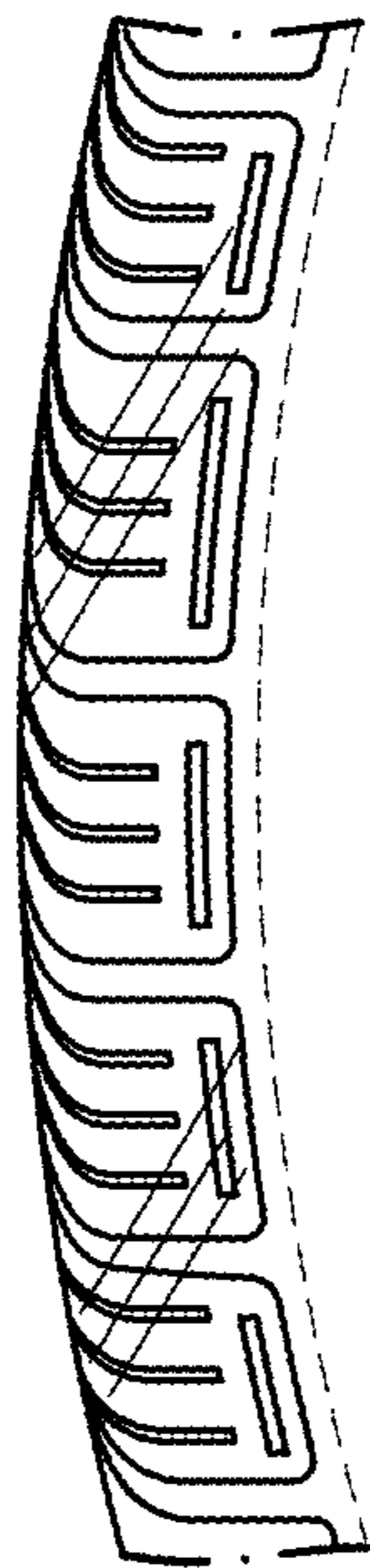


FIG. 6

FIG. 7

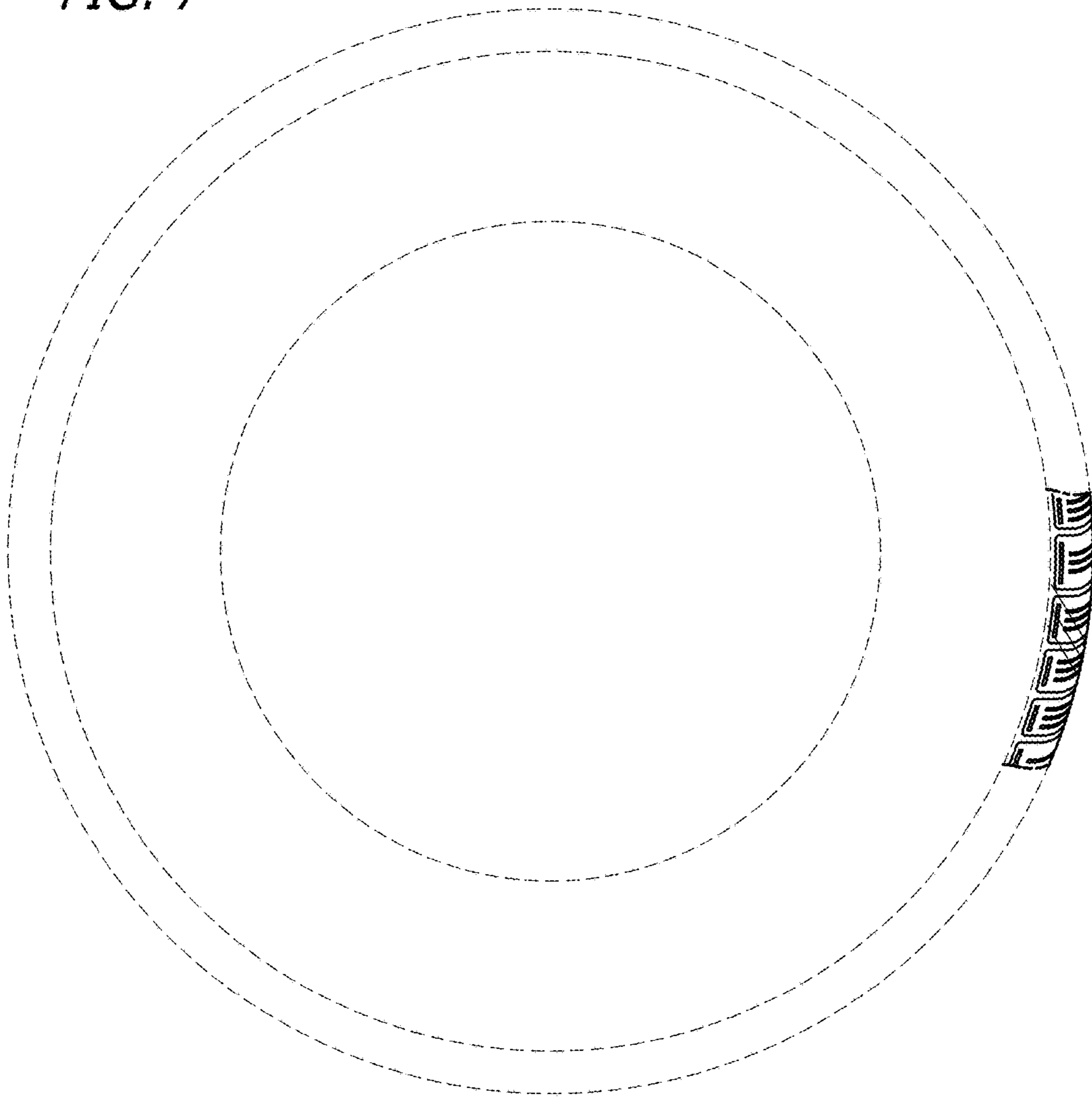


FIG. 8

