



US00D815581S

(12) **United States Design Patent**
Anderson et al.

(10) **Patent No.:** **US D815,581 S**

(45) **Date of Patent:** **** Apr. 17, 2018**

(54) **BASKET FOR A VEHICLE**
(71) Applicant: **Cequent Consumer Products, Inc.**,
Solon, OH (US)
(72) Inventors: **Derek Anderson**, Newbury, OH (US);
Paul Mueller, Solon, OH (US);
Michael Young, Westerville, OH (US);
Shawn Whetstone, New Albany, OH
(US)

8,496,146 B2 * 7/2013 Badillo B60R 9/045
224/310
D772,139 S * 11/2016 Hill D12/412
D772,783 S * 11/2016 Schleef D12/412
9,713,987 B2 * 7/2017 Arvidsson B60R 9/055
D793,946 S * 8/2017 Badillo D12/412
D793,947 S * 8/2017 Badillo D12/412
2005/0082326 A1 * 4/2005 Badillo B60R 9/00
224/326

* cited by examiner

(73) Assignee: **HORIZON GLOBAL AMERICAS
INC.**, Plymouth, MI (US)

Primary Examiner — Katrina A Betton

(74) *Attorney, Agent, or Firm* — McDonald Hopkins LLC

(**) Term: **15 Years**

(57) **CLAIM**

(21) Appl. No.: **29/575,220**

The ornamental design for a basket for a vehicle, as shown and described.

(22) Filed: **Aug. 23, 2016**

(51) **LOC (11) Cl.** **12-16**

(52) **U.S. Cl.**
USPC **D12/406**

(58) **Field of Classification Search**
USPC D12/412, 406, 413, 414, 414.1; D6/552;
D3/304-406
CPC B60R 9/04; B60R 9/045; B60R 9/048
See application file for complete search history.

DESCRIPTION

FIG. 1 is a perspective view of a basket for a vehicle showing our new design;
FIG. 2 is a top view thereof;
FIG. 3 is a bottom view thereof;
FIG. 4 is a first side view thereof;
FIG. 5 is a second side view thereof;
FIG. 6 is a rear view thereof;
FIG. 7 is a front view thereof; and,
FIG. 8 is a cross-sectional view of a portion of the basket along line 8-8 in FIG. 2.

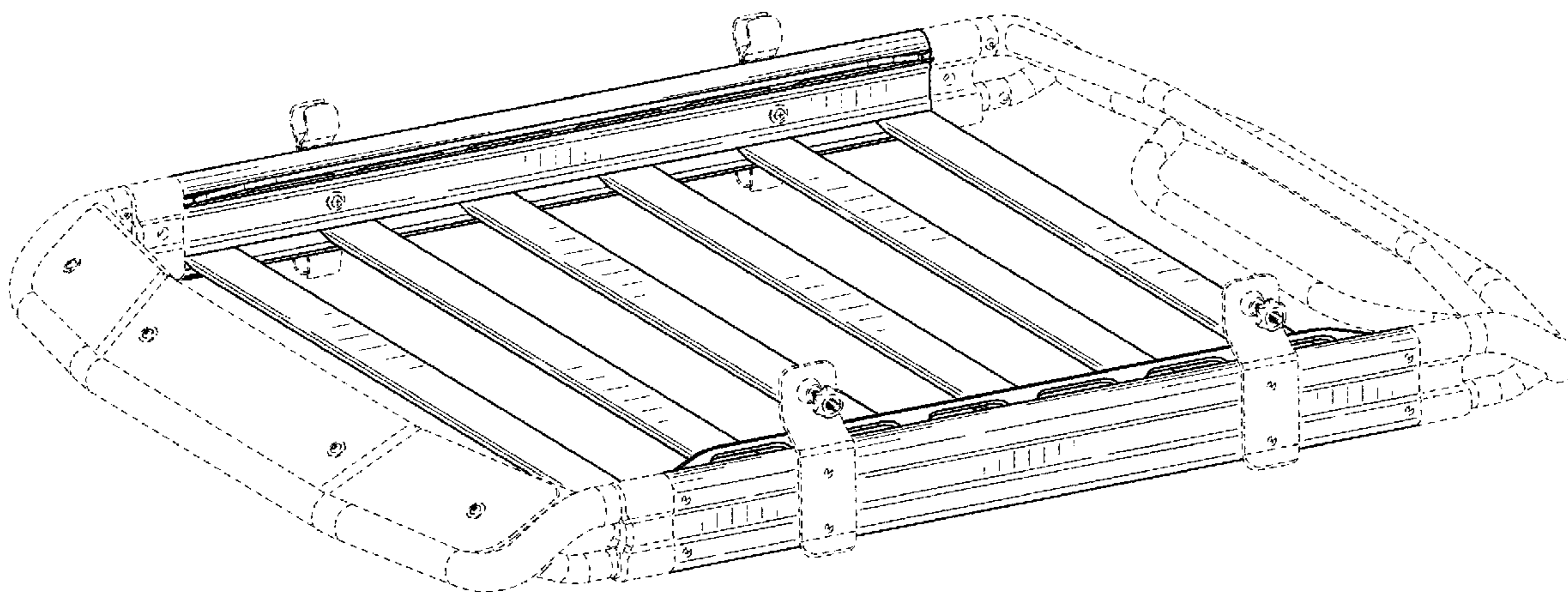
The broken lines in the figures are included for the purpose of illustrating portions of a basket for a vehicle or its environment and form no part of the claimed design.

(56) **References Cited**

U.S. PATENT DOCUMENTS

7,226,266 B2 * 6/2007 Henderson B60R 9/042
414/462
D578,952 S * 10/2008 Badillo D12/406
D603,321 S * 11/2009 Kramer D12/412
D624,005 S * 9/2010 Winner D12/412

1 Claim, 6 Drawing Sheets



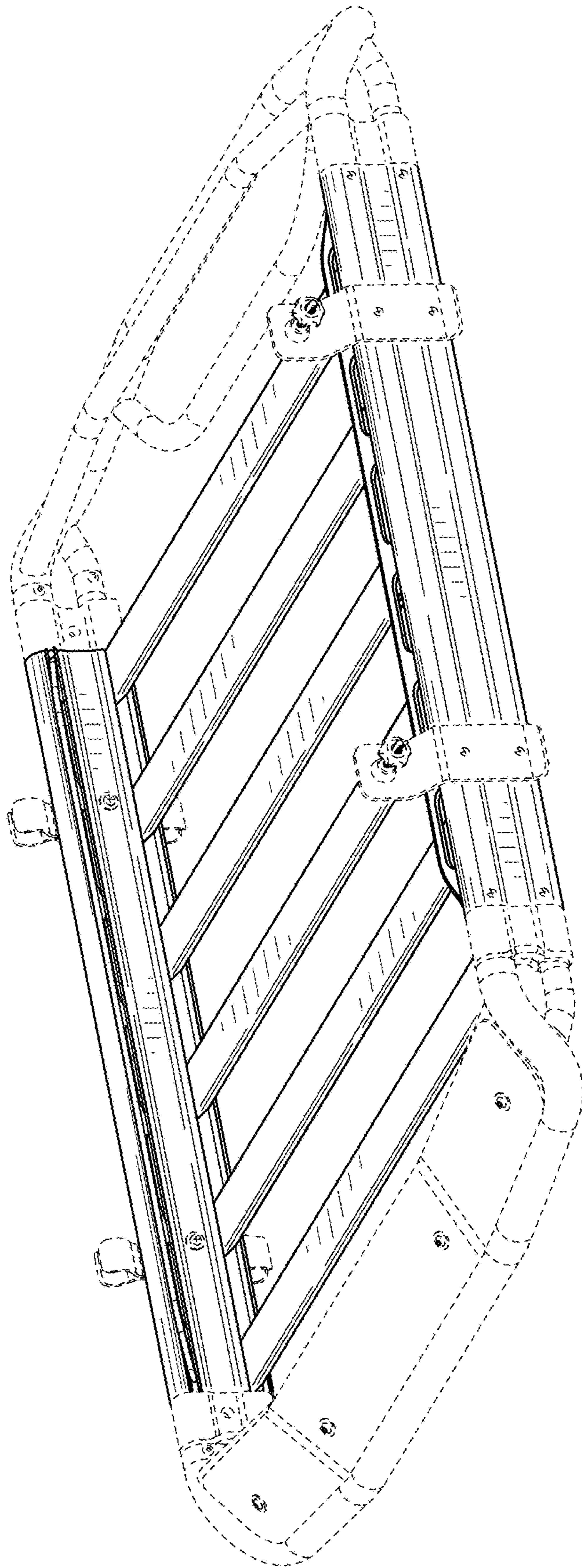


FIG. 1

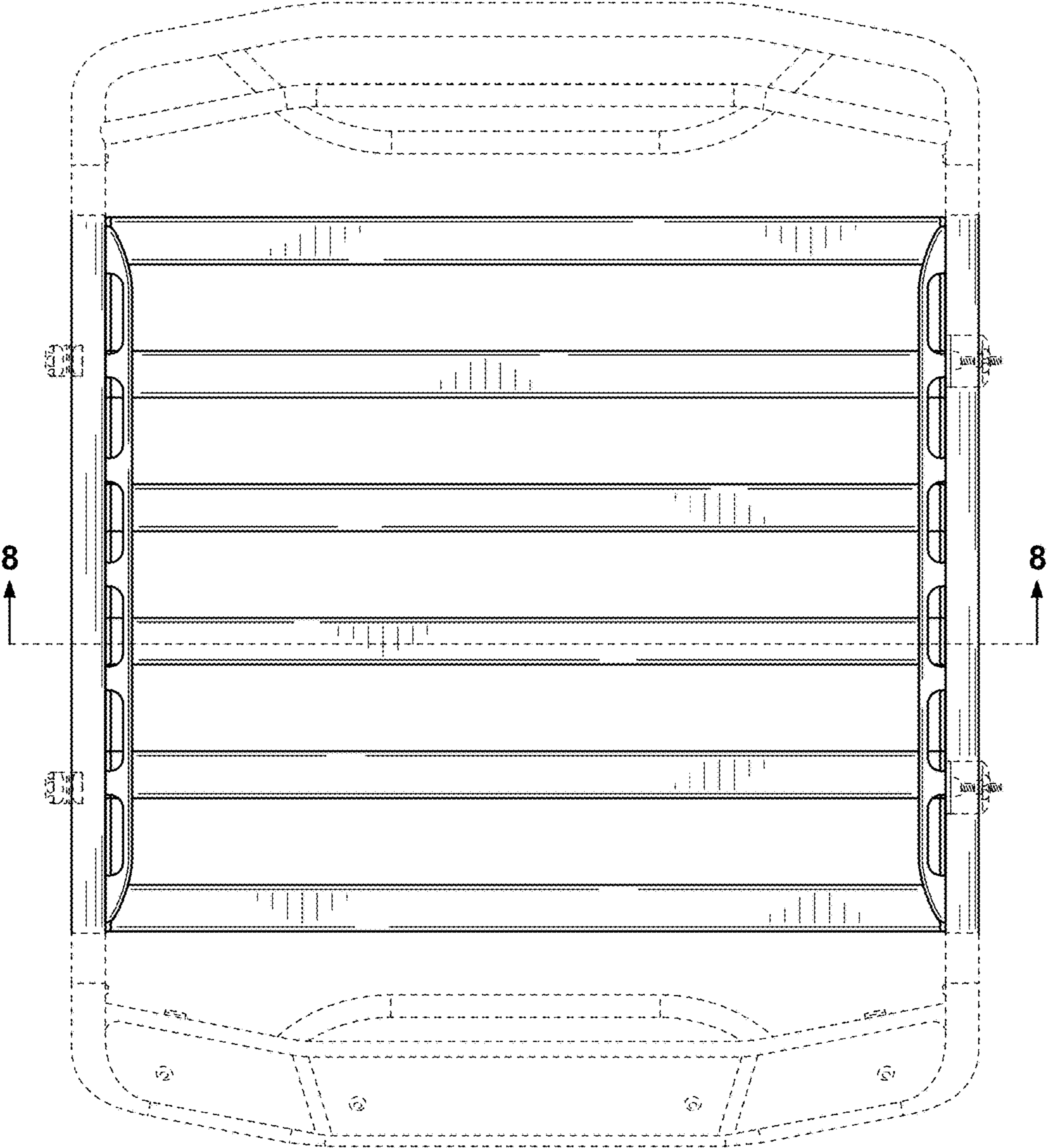


FIG. 2

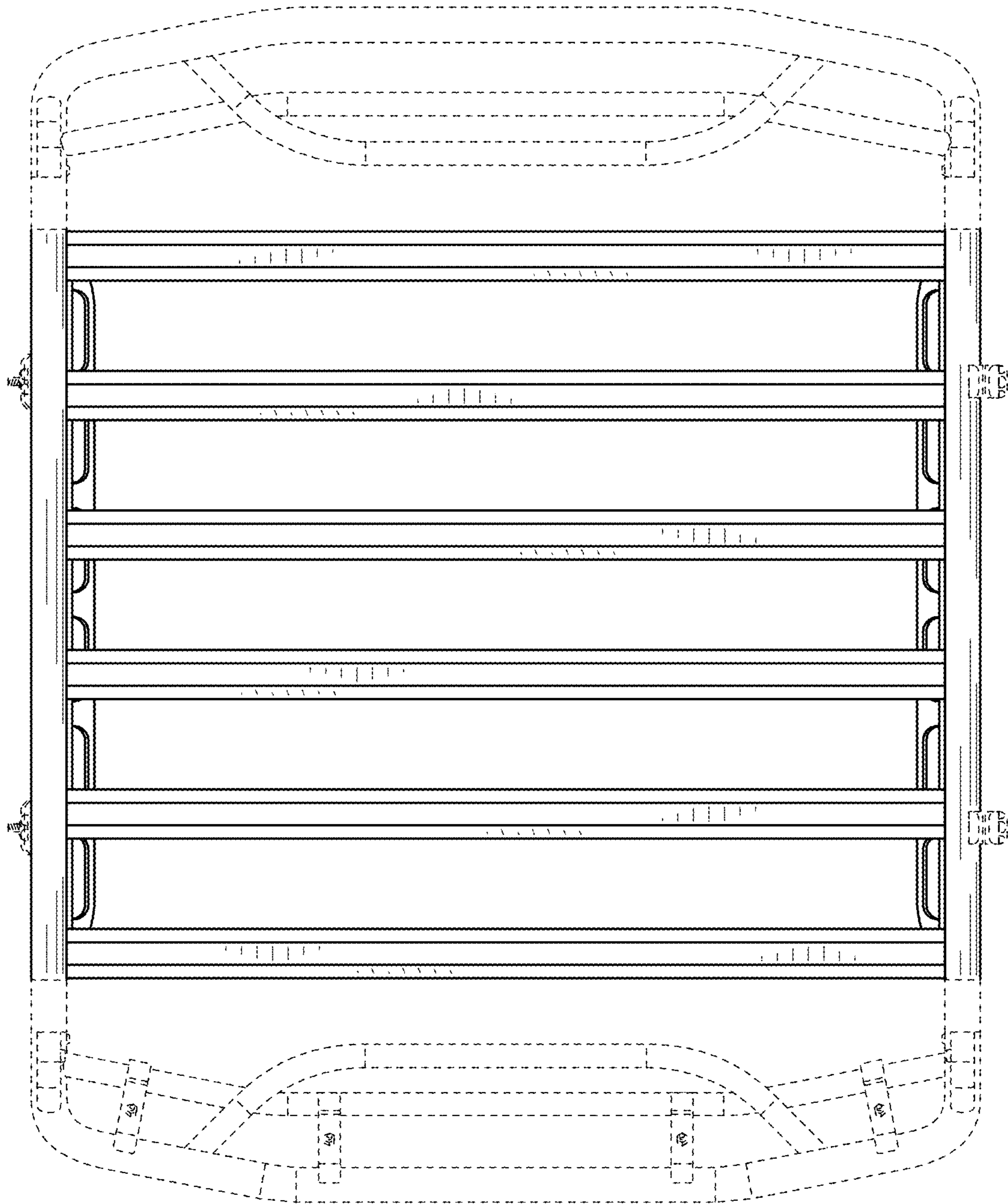


FIG. 3

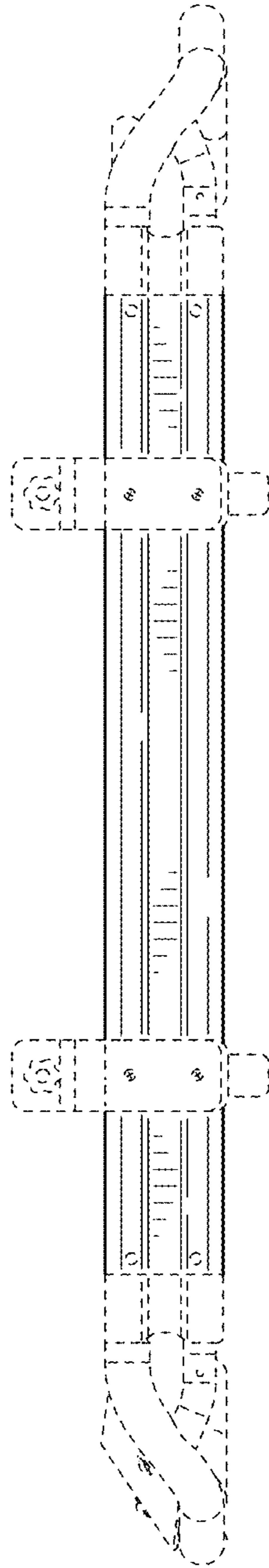


FIG. 4

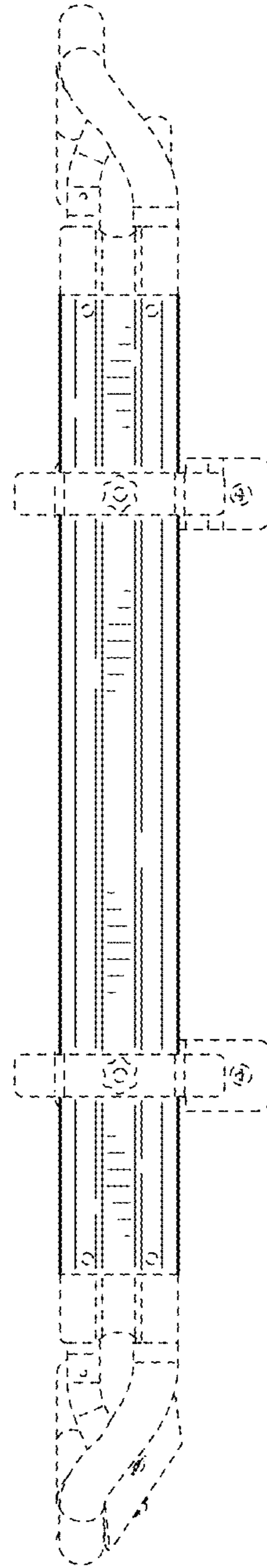


FIG. 5

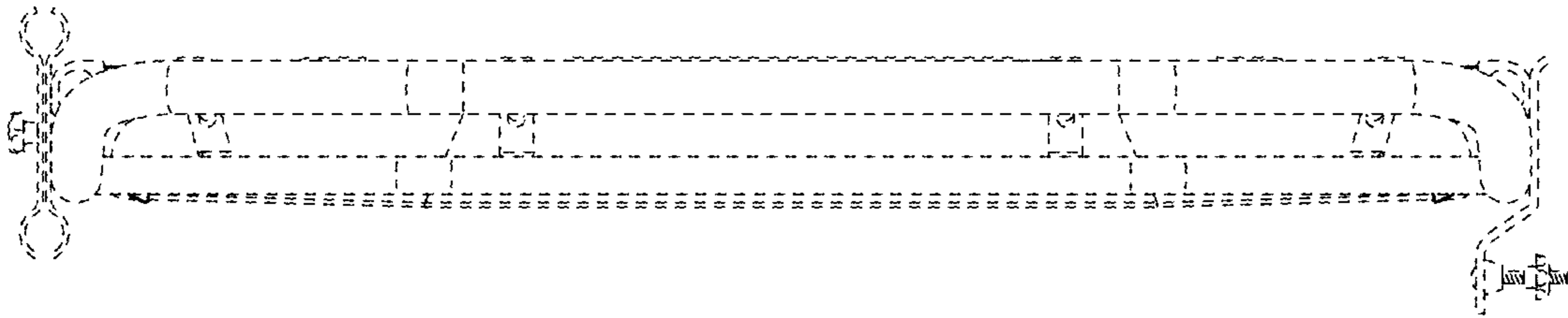


FIG. 6

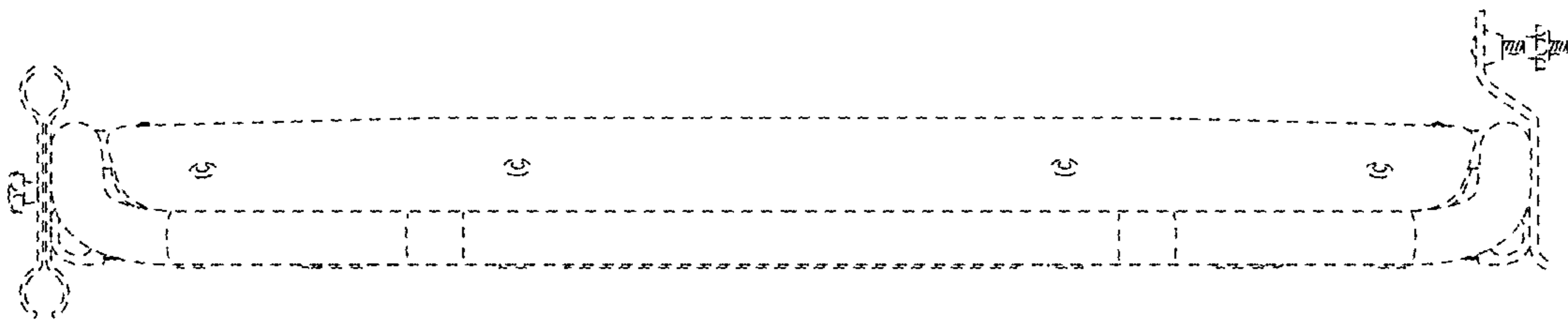


FIG. 7

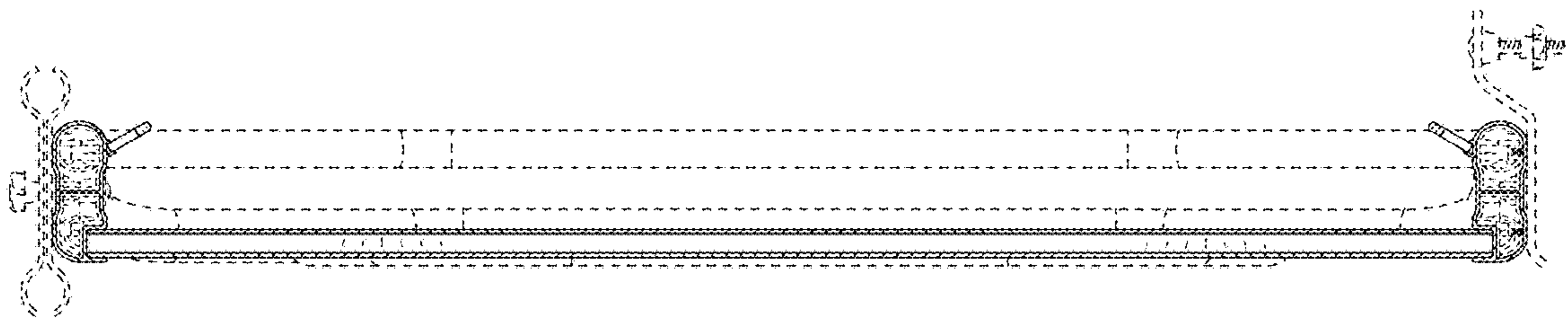


FIG. 8