



US00D815579S

(12) **United States Design Patent**  
**Frénoy et al.**

(10) **Patent No.:** **US D815,579 S**  
(45) **Date of Patent:** **\*\* Apr. 17, 2018**

(54) **AQUATIC VEHICLE**  
(71) Applicant: **THALES UNDERWATER SYSTEMS SAS, Valbonne (FR)**  
(72) Inventors: **Olivier Frénoy, Valbonne (FR); Jean-Philippe Brunet, Valbonne (FR)**  
(73) Assignee: **THALES UNDERWATER SYSTEMS SAS, Valbonne (FR)**  
(\*\*) Term: **15 Years**

D291,299 S \* 8/1987 Hawkes ..... D12/308  
5,076,192 A \* 12/1991 Tegel ..... F41F 3/042  
114/316  
5,078,069 A \* 1/1992 August ..... F42B 12/16  
102/399  
5,979,354 A \* 11/1999 Arzola ..... B63G 8/00  
114/312  
6,845,728 B1 \* 1/2005 Horton ..... B63G 8/42  
114/244  
D730,418 S \* 5/2015 Tjom ..... D12/308  
D733,634 S \* 7/2015 De Camargo Aranha ... D12/308  
2009/0107388 A1 \* 4/2009 Crowell ..... B63G 8/00  
114/336

(21) Appl. No.: **29/581,172**

\* cited by examiner

(22) Filed: **Oct. 17, 2016**

*Primary Examiner* — Cynthia M Chin

(30) **Foreign Application Priority Data**

(74) *Attorney, Agent, or Firm* — Muncy, Geissler, Olds & Lowe, P.C.

Oct. 11, 2016 (WO) ..... 57516

(51) **LOC (11) Cl.** ..... **12-06**

(52) **U.S. Cl.**  
USPC ..... **D12/308**

(57) **CLAIM**

(58) **Field of Classification Search**  
USPC ..... D12/214, 308, 317, 318; 114/20.1, 244, 114/245, 312, 315, 316, 318, 319, 322, 114/324, 326, 327, 330–333, 337, 338; 440/49, 51, 53, 61 R, 61 T, 66, 76, 440/79–81, 89 R  
CPC ..... B63G 8/00; B63G 8/001; B63G 8/002; B63G 8/08; B63G 8/41; B63G 8/42; B63G 8/32; B63B 3/13; B63B 1/107; B63C 11/36; B63C 11/40; B63C 11/42; F41F 3/10  
See application file for complete search history.

The ornamental design for an aquatic vehicle, as shown and described.

**DESCRIPTION**

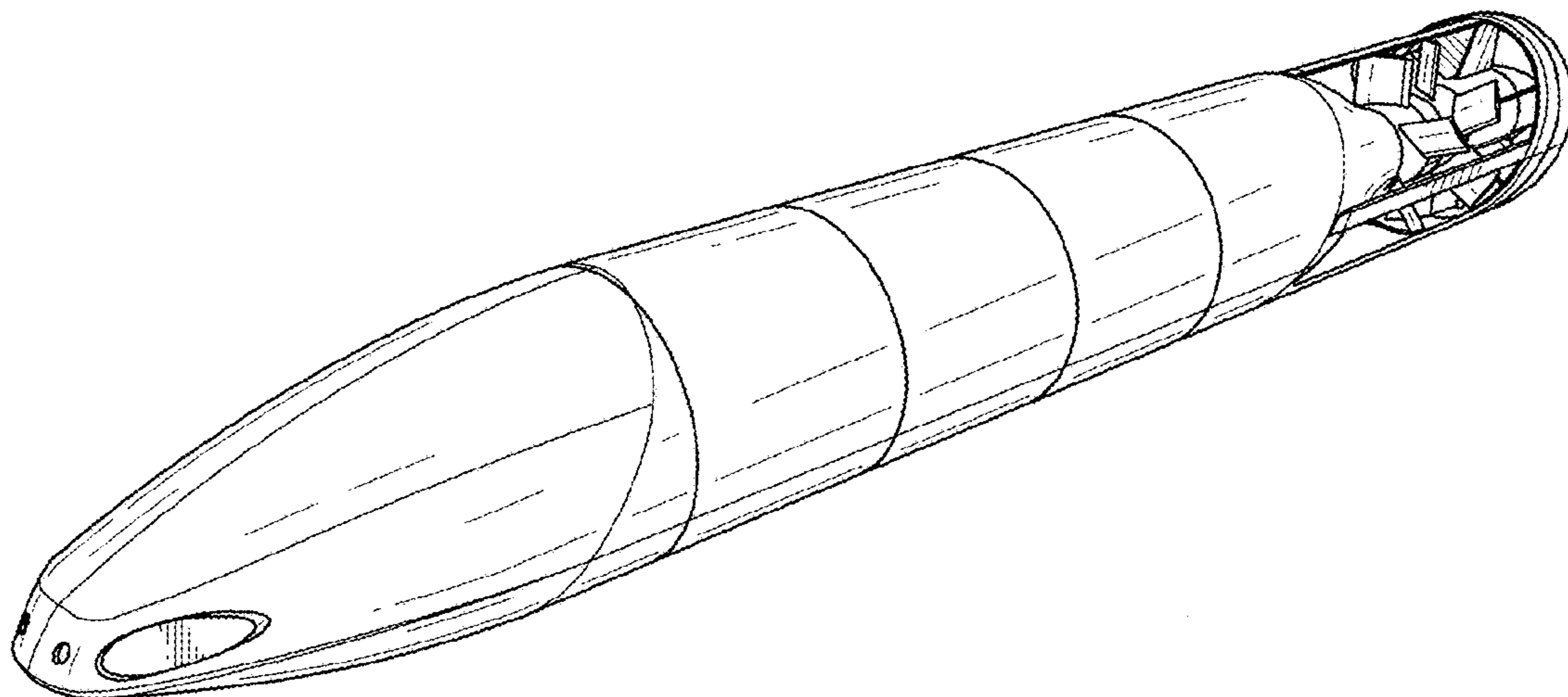
FIG. 1 is an enlarged rear view of the aquatic vehicle showing our new design;  
FIG. 2 is an enlarged front view thereof,  
FIG. 3 is a left side view thereof, the right side view being a mirror image thereof,  
FIG. 4 is a top plan view thereof,  
FIG. 5 is a bottom view thereof; and,  
FIG. 6 is a perspective view thereof.

(56) **References Cited**

**U.S. PATENT DOCUMENTS**

3,779,194 A \* 12/1973 Kahn ..... F42B 19/01  
114/20.1  
3,897,743 A \* 8/1975 Schoonman ..... B63G 8/001  
114/321

**1 Claim, 6 Drawing Sheets**



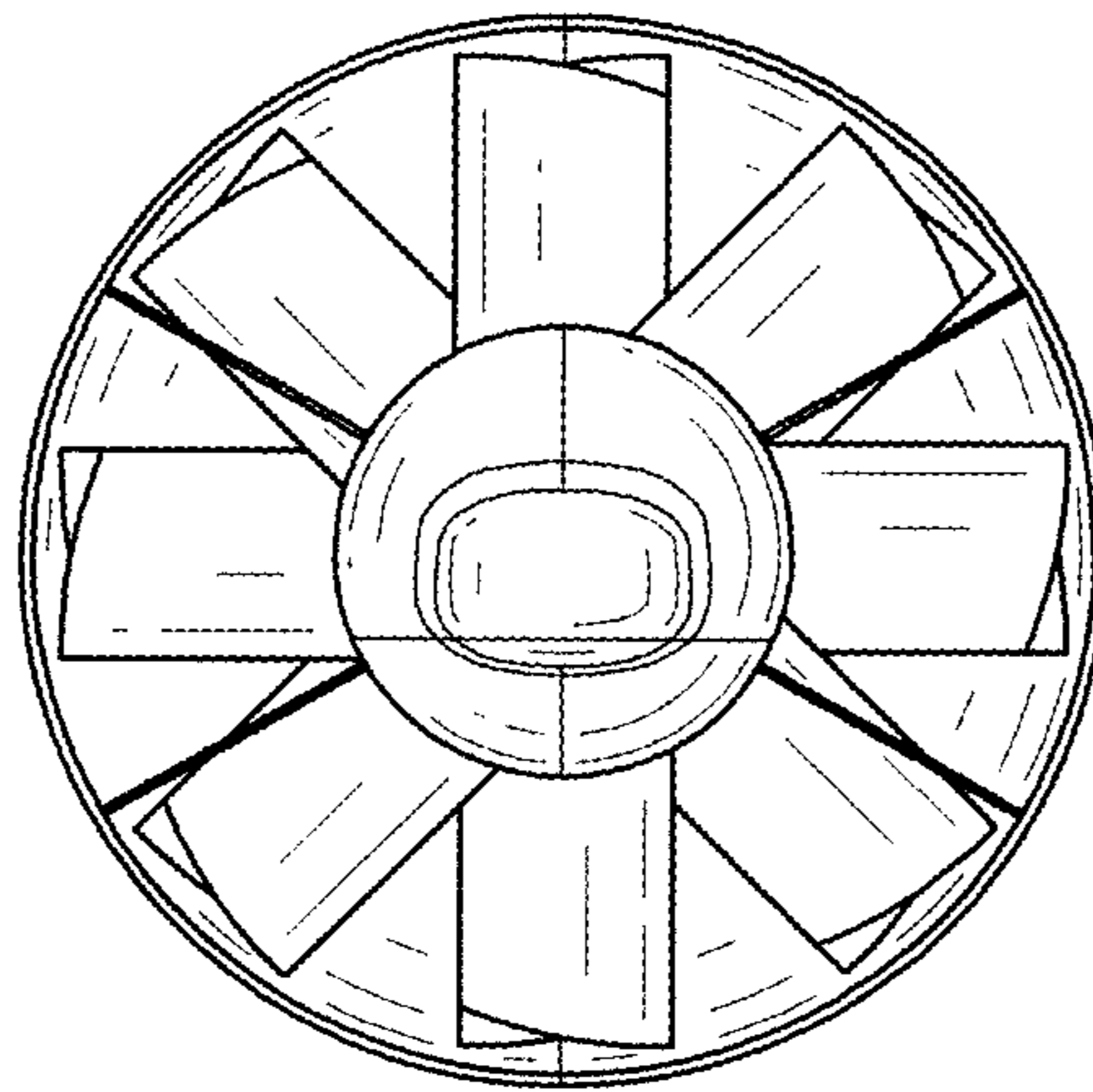


FIG. 1

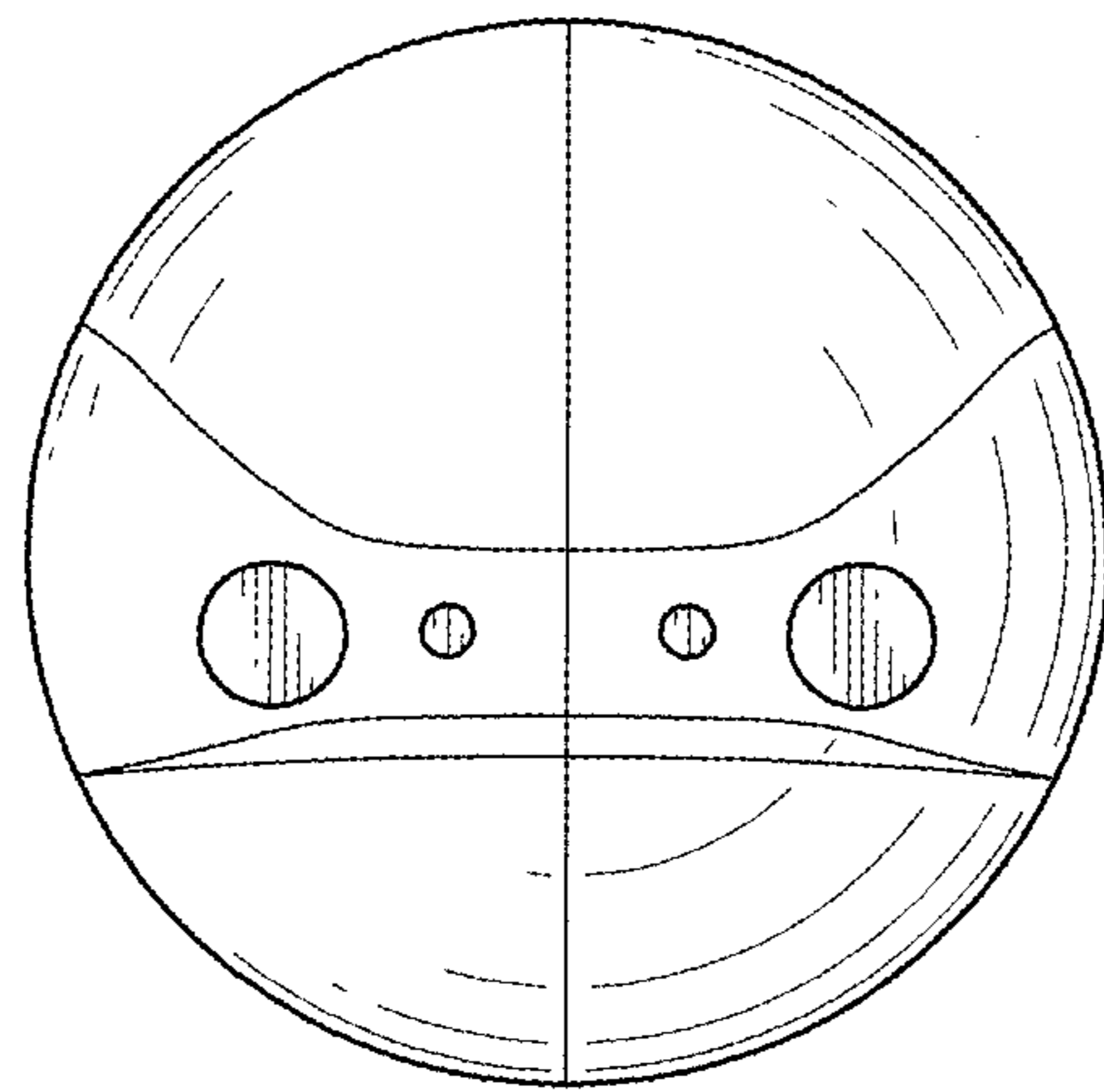


FIG.2

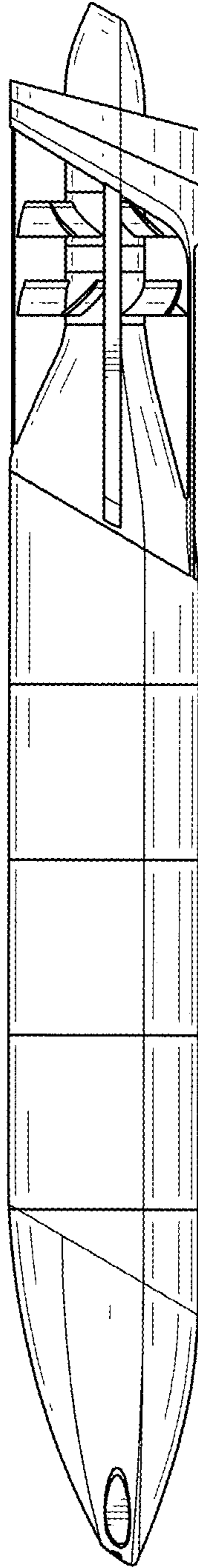


FIG.3

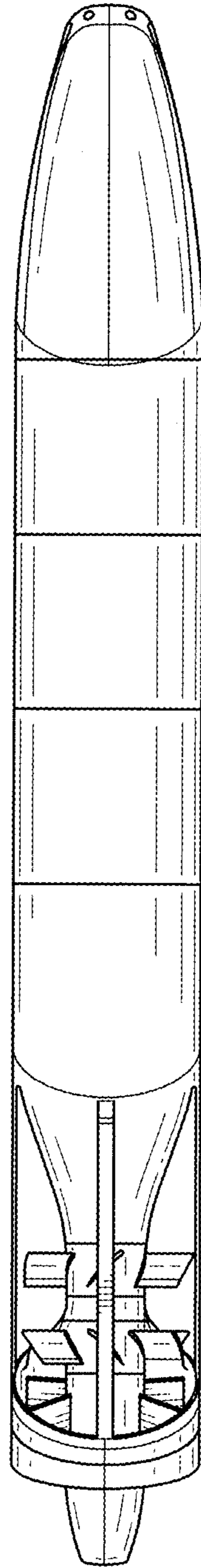


FIG.4

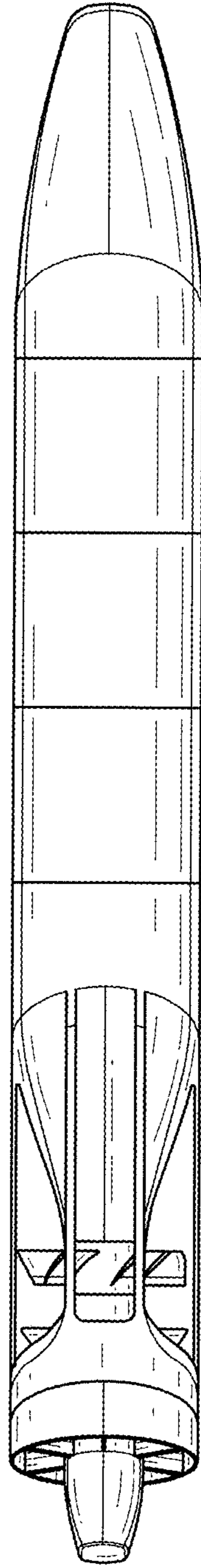


FIG.5

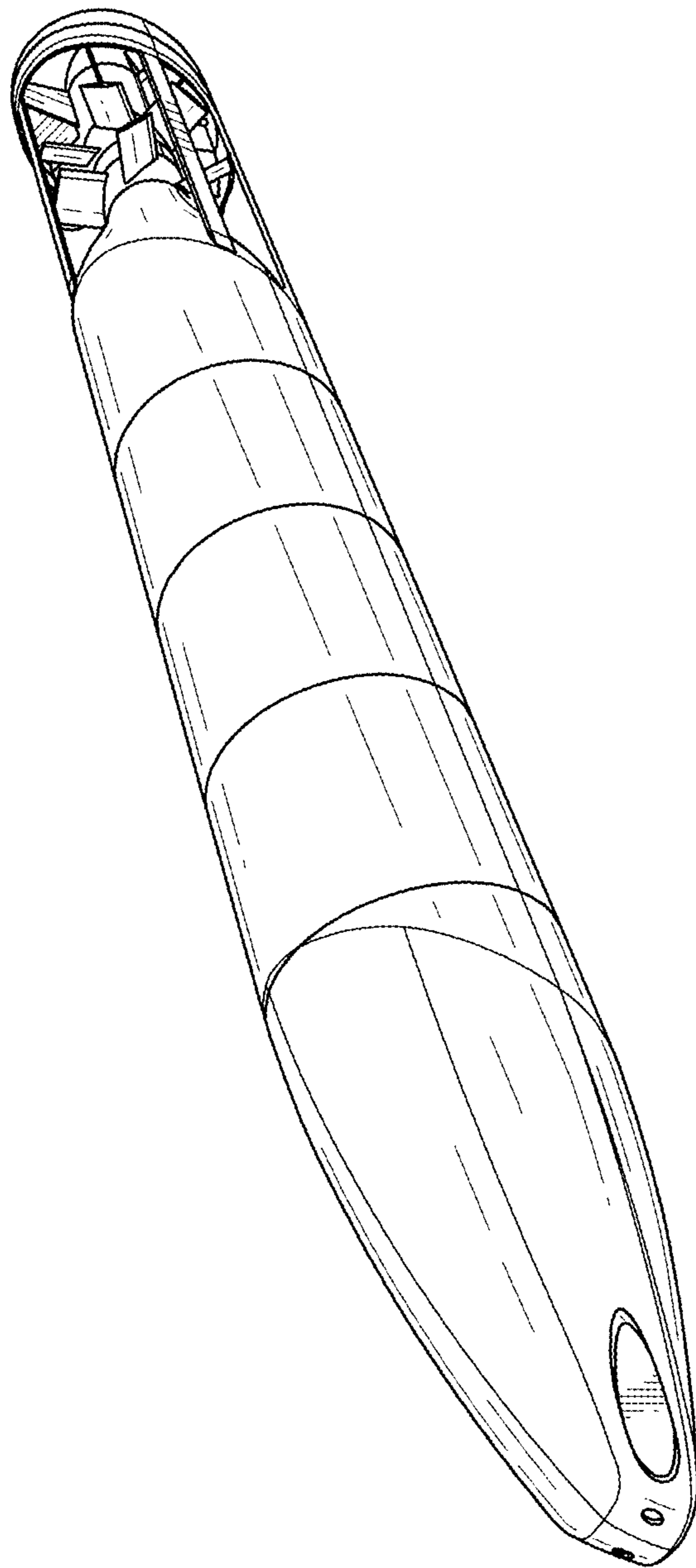


FIG.6