



US00D815571S

(12) **United States Design Patent**
Zhang

(10) **Patent No.:** **US D815,571 S**

(45) **Date of Patent:** **** Apr. 17, 2018**

(54) **FRONT CAR GRILLE**

(71) Applicant: **Wenyan Zhang**, Shanghai (CN)

(72) Inventor: **Wenyan Zhang**, Shanghai (CN)

(**) Term: **15 Years**

(21) Appl. No.: **29/586,937**

(22) Filed: **Dec. 8, 2016**

(51) **LOC (11) Cl.** **12-16**

(52) **U.S. Cl.**
USPC **D12/163**

(58) **Field of Classification Search**
USPC D12/86, 90, 91, 92, 163, 169, 196, 171,
D12/216; D15/31
CPC . B60R 19/52; B60R 2019/525; B60K 11/085;
B62D 25/084; H01Q 1/32
See application file for complete search history.

(56) **References Cited**

U.S. PATENT DOCUMENTS

D253,193 S *	10/1979	Pauly	D21/548
4,173,095 A *	11/1979	Pauly	A63H 17/00 446/470
D324,018 S *	2/1992	Ueno	D12/170
D424,992 S *	5/2000	Faurote	D12/163
D464,087 S *	10/2002	Wu	D21/433
D497,572 S *	10/2004	Widmann	D12/91
D519,066 S *	4/2006	Ney	D12/163
D521,424 S *	5/2006	Sackley	D12/163
D534,106 S *	12/2006	Matei	D12/169
D534,458 S *	1/2007	Renkert	12/91
7,185,930 B2 *	3/2007	Helzner	B60R 1/078 180/68.6
D542,192 S *	5/2007	Renkert	D12/163
D565,466 S *	4/2008	Moushegian	D12/91
D577,636 S *	9/2008	Saridakis	D12/163

D613,648 S *	4/2010	Wong	D12/163
D613,649 S *	4/2010	Wong	D12/163
D624,468 S *	9/2010	Wong	D12/163
D661,231 S *	6/2012	Galante	D12/163
D713,308 S *	9/2014	Galante	D12/196
D733,619 S *	7/2015	Glover	D12/163
D736,123 S *	8/2015	Hammoud	D12/163
D738,799 S *	9/2015	Goeppel	D12/169
D746,731 S *	1/2016	Quezada	D12/163
D749,995 S *	2/2016	Azadi	D12/163
D775,014 S *	12/2016	Higgs	D12/170
D800,226 S *	10/2017	Zeng	D21/433
2006/0157993 A1 *	7/2006	Pendarvis	B60R 19/24 293/132
2006/0225934 A1 *	10/2006	Fobean	B62D 25/10 180/69.21
2009/0267364 A1 *	10/2009	Crainic	B60Q 1/0408 293/117

* cited by examiner

Primary Examiner — Darlington Ly

(74) *Attorney, Agent, or Firm* — Tony C. Hom

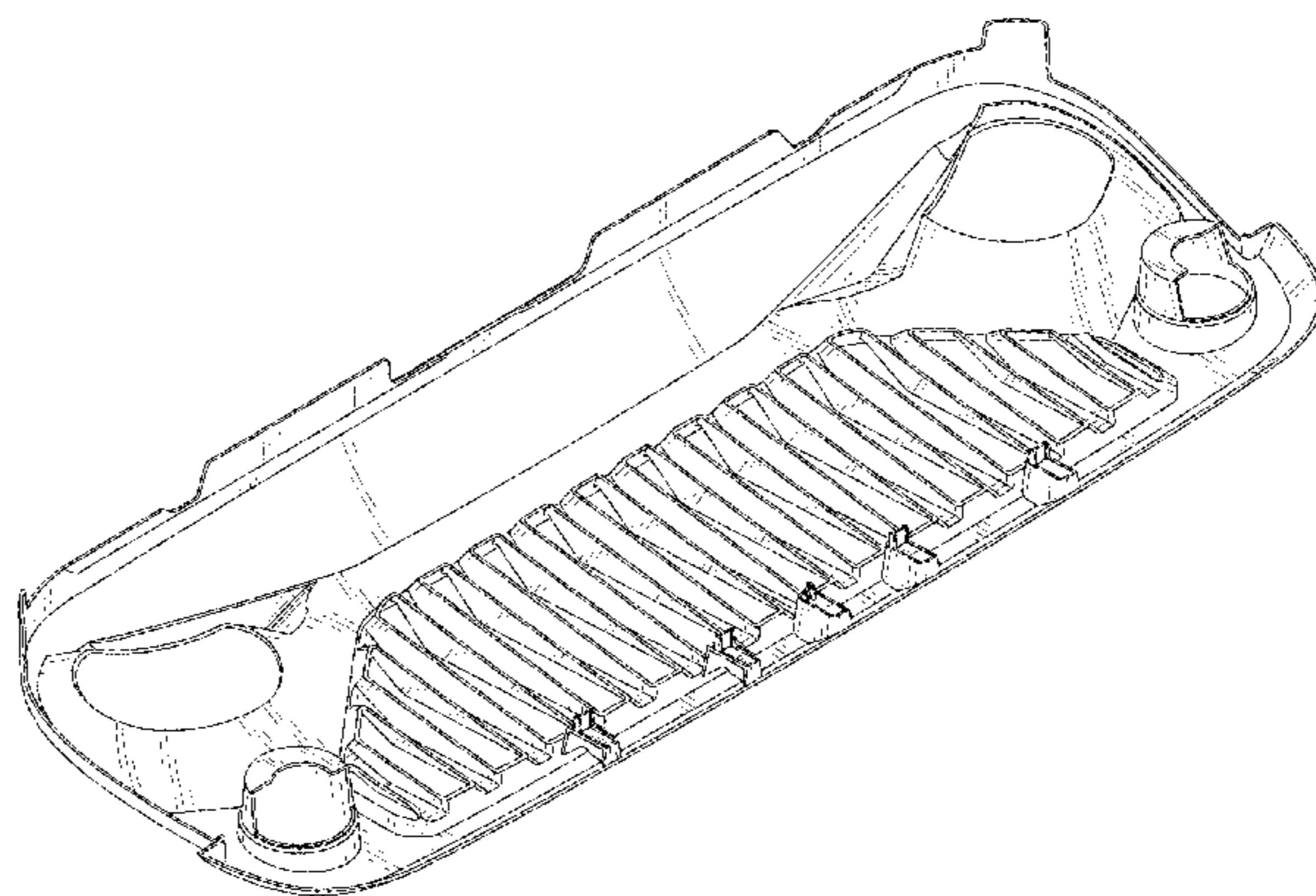
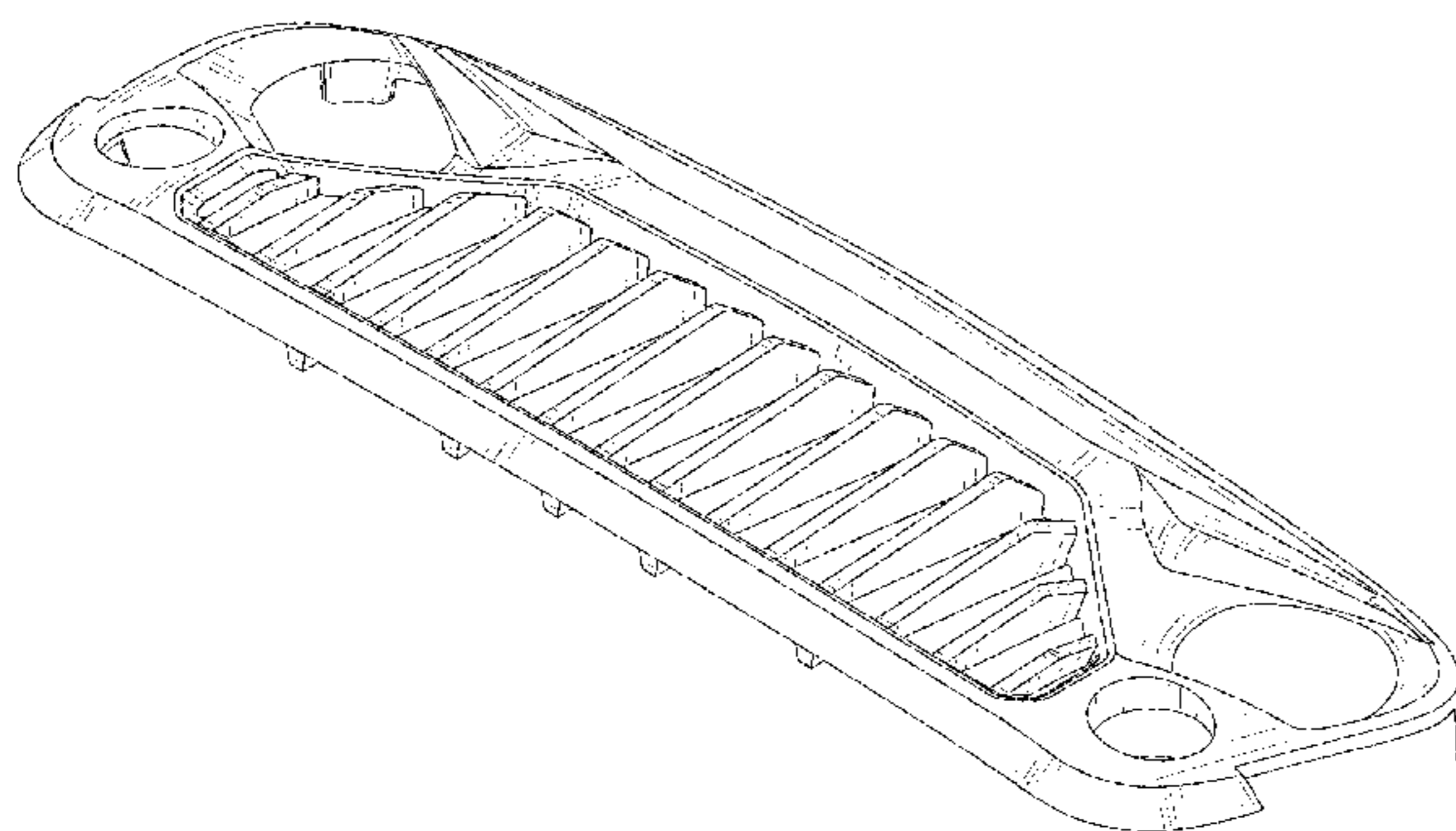
(57) **CLAIM**

The ornamental design for a front car grille, as shown and described.

DESCRIPTION

FIG. 1 is a top, front, and right side perspective view of a front car grille showing my new design;
FIG. 2 is a bottom, front, and right side perspective view thereof;
FIG. 3 is a front elevation view thereof;
FIG. 4 is a rear elevation view thereof;
FIG. 5 is a left side elevation view thereof;
FIG. 6 is a right side elevation view thereof;
FIG. 7 is a top plan view thereof; and,
FIG. 8 is a bottom view thereof.

1 Claim, 8 Drawing Sheets



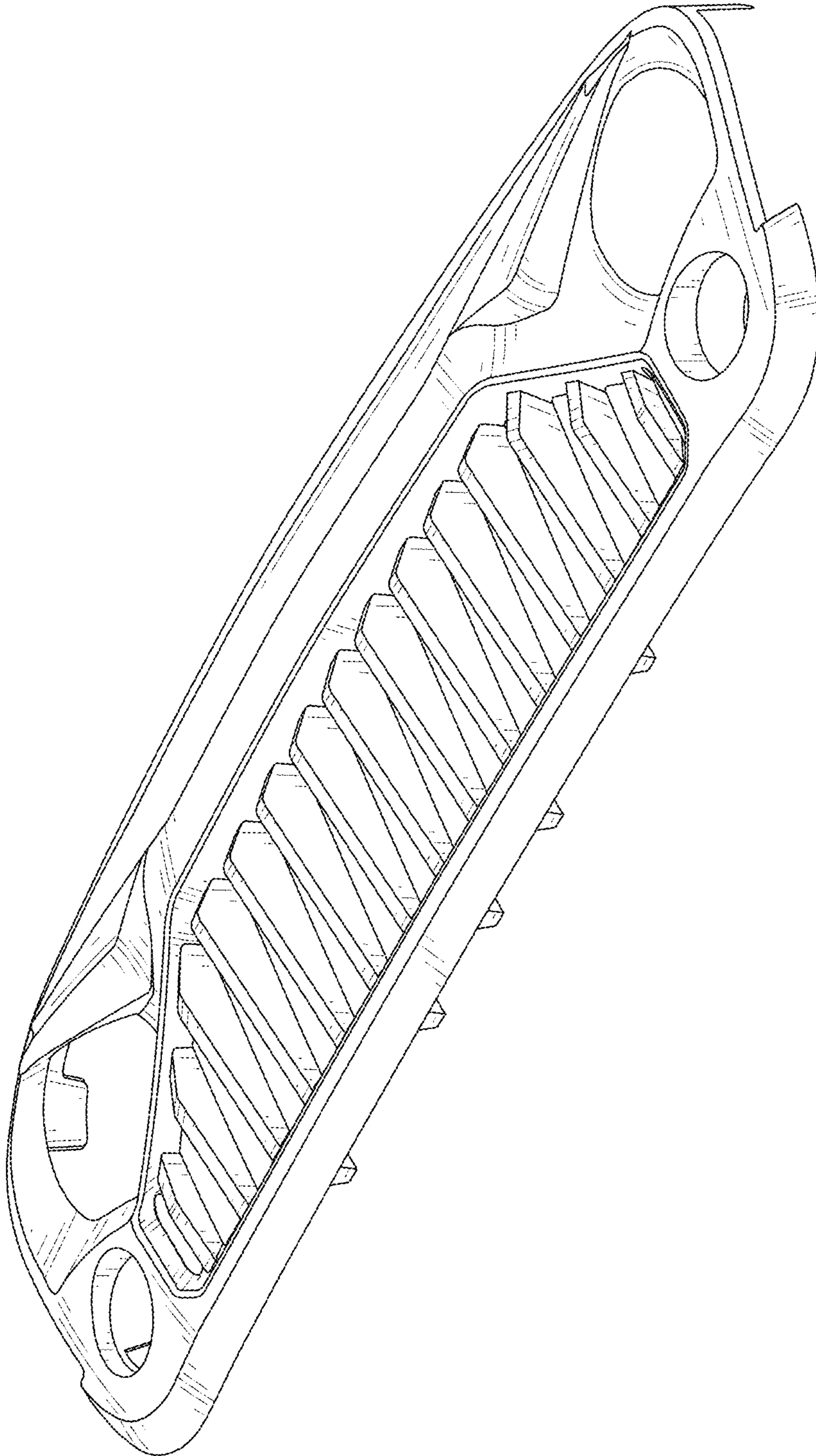


FIG. 1

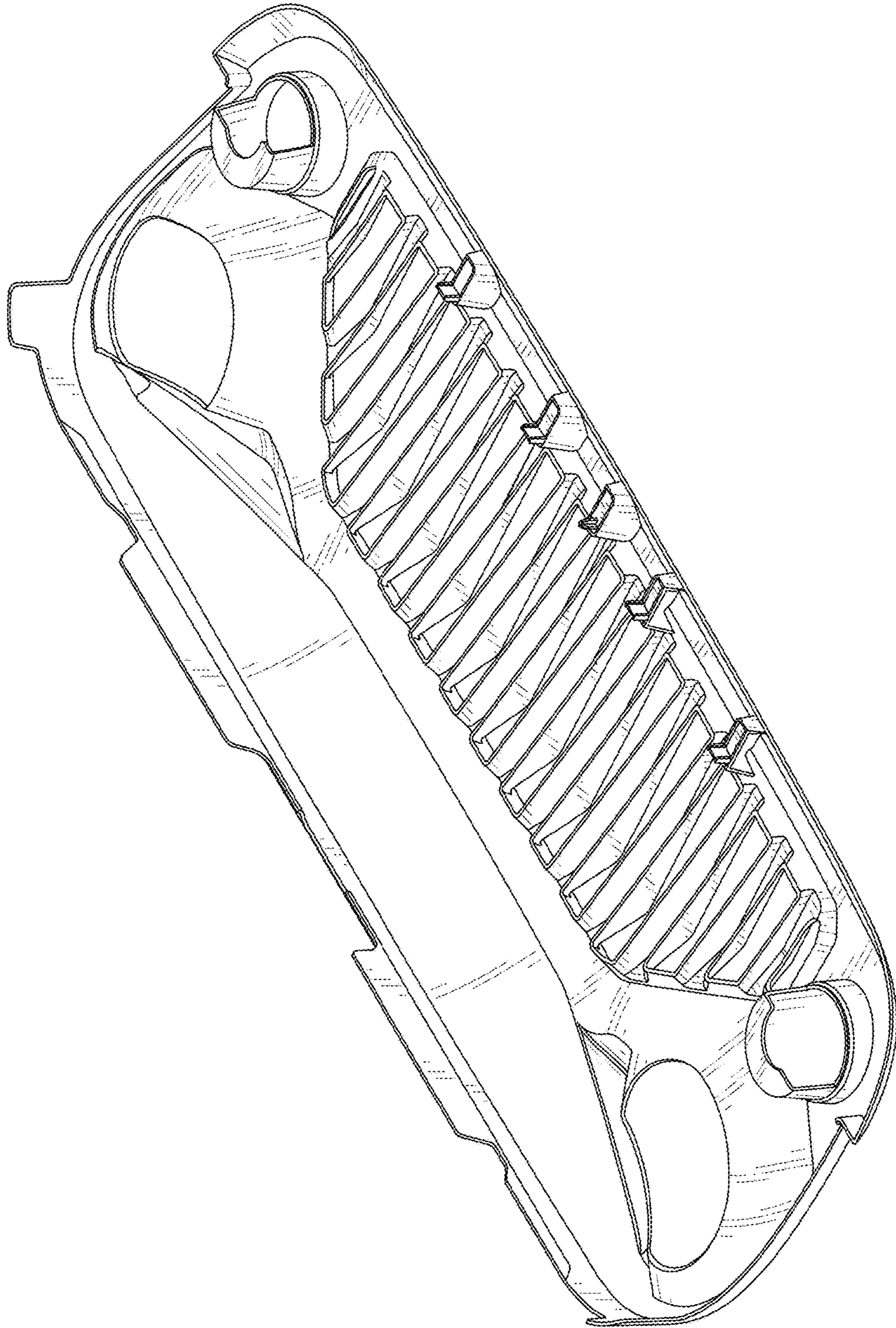


FIG. 2

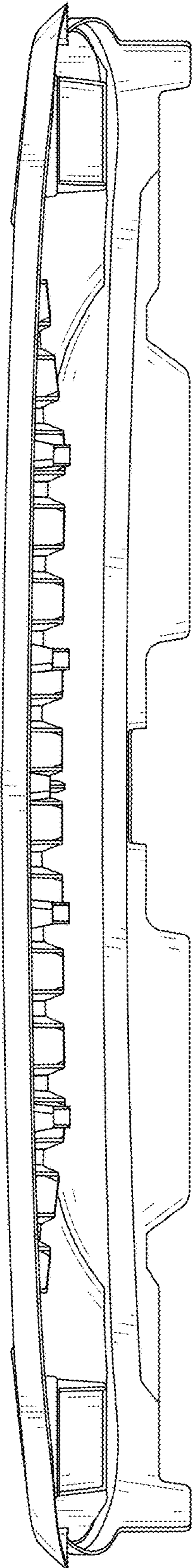


FIG. 3

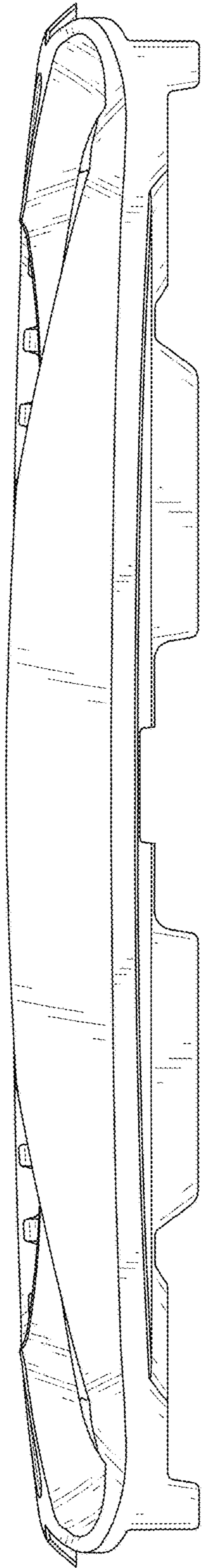


FIG. 4

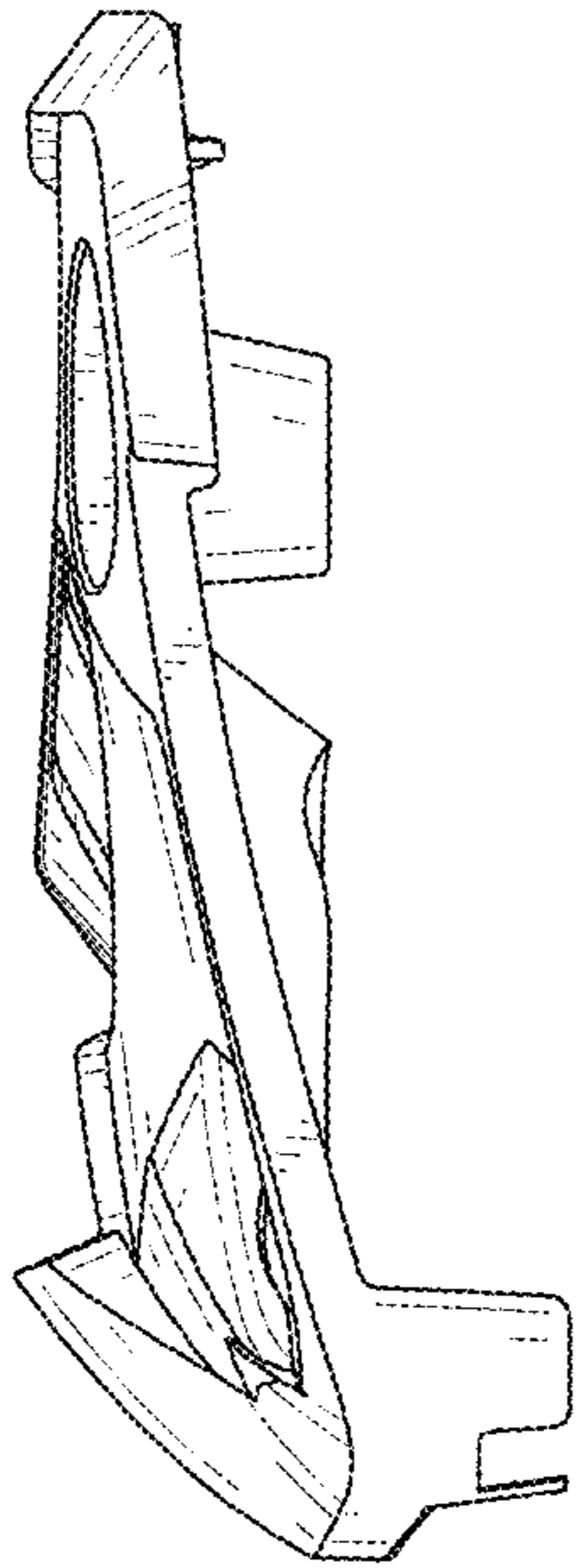


FIG. 5

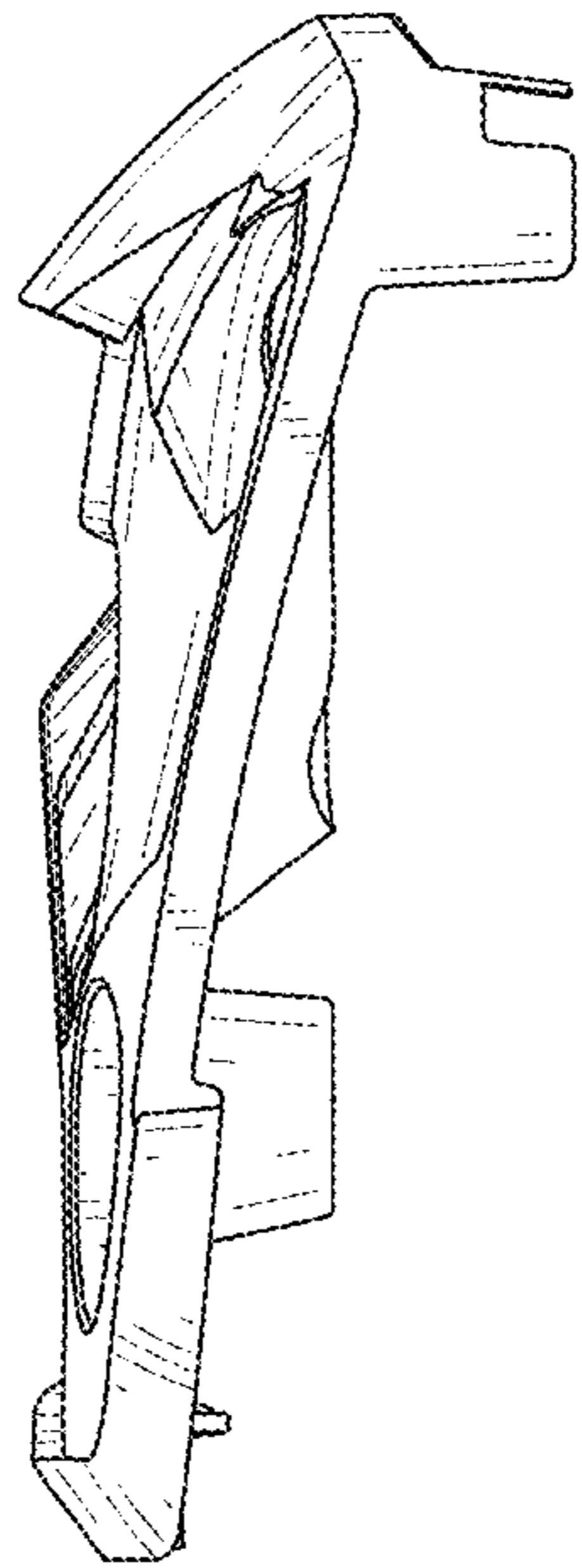


FIG. 6

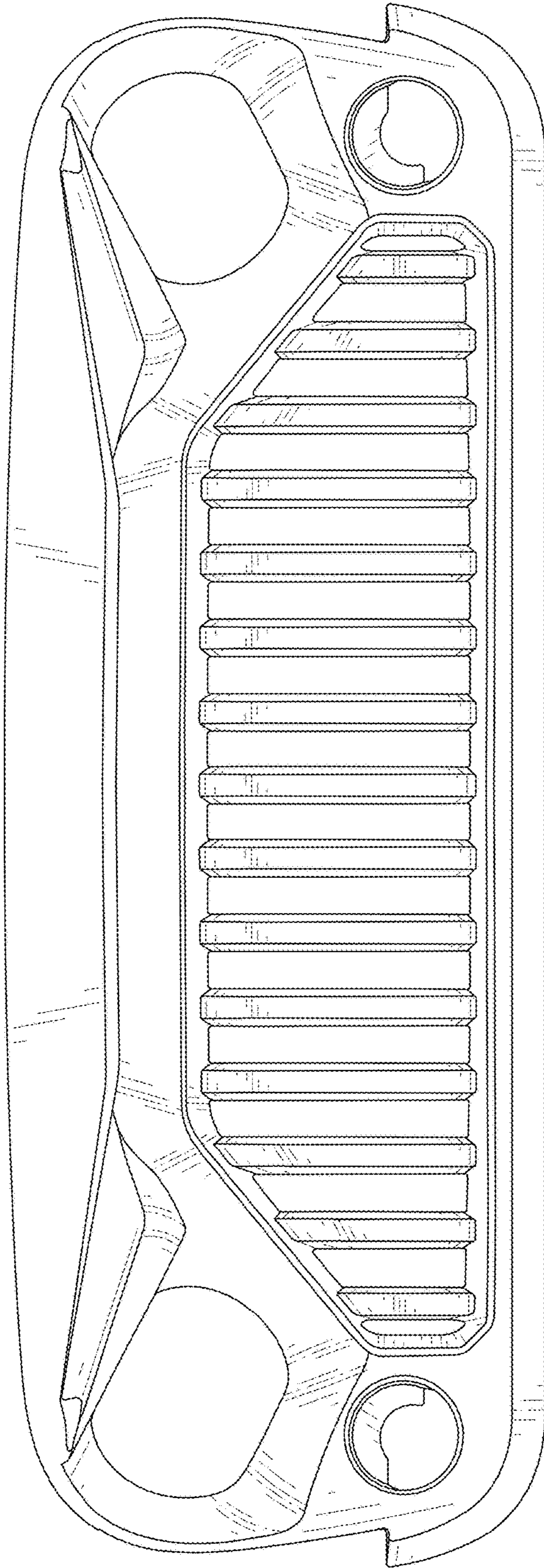


FIG. 7

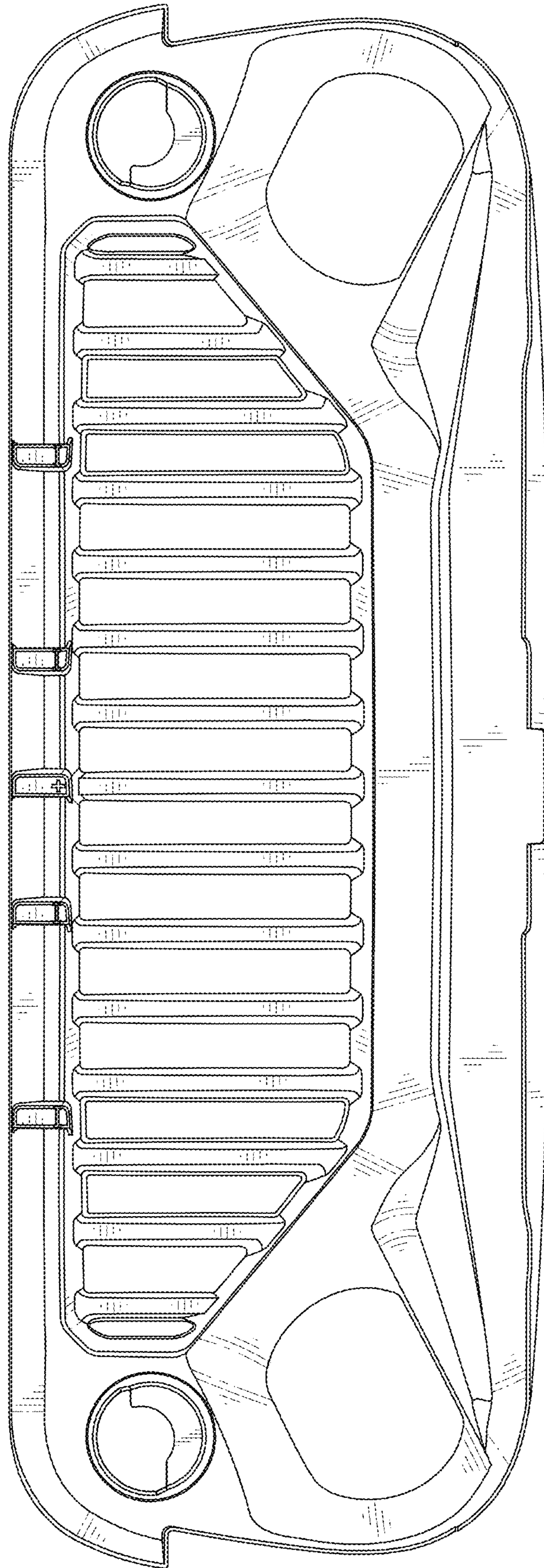


FIG. 8