



US00D815570S

(12) **United States Design Patent** (10) **Patent No.:** **US D815,570 S**  
**McMahan et al.** (45) **Date of Patent:** **\*\* Apr. 17, 2018**

(54) **VEHICLE GRILLE**  
(71) Applicant: **GM GLOBAL TECHNOLOGY OPERATIONS LLC**, Detroit, MI (US)  
(72) Inventors: **Robert B. McMahan**, Bloomfield Hills, MI (US); **Gary W. Ruiz**, Royal Oak, MI (US)  
(73) Assignee: **GM Global Technology Operations LLC**, Detroit, MI (US)  
(\*\*) Term: **15 Years**  
(21) Appl. No.: **29/576,431**  
(22) Filed: **Sep. 2, 2016**  
(51) **LOC (11) Cl.** ..... **12-16**  
(52) **U.S. Cl.**  
USPC ..... **D12/163**  
(58) **Field of Classification Search**  
USPC .... D12/86, 91, 93, 163, 164, 166, 167, 169, D12/171, 172, 173, 190, 216  
CPC ..... B62D 25/08; B62B 9/16; B60K 11/08; B60R 19/52  
See application file for complete search history.

6,167,645 B1 \* 1/2001 Gasko ..... B60R 13/105 293/115  
D500,268 S \* 12/2004 Otto ..... D12/163  
D558,102 S \* 12/2007 Lau ..... D12/163  
D570,742 S 6/2008 Takagi et al.  
D580,308 S \* 11/2008 Ebel ..... D12/163  
D592,105 S 5/2009 Dean et al.  
D596,998 S \* 7/2009 Hasui ..... D12/163  
D597,447 S 8/2009 Folden  
D600,595 S 9/2009 Nakamura et al.  
D601,925 S 10/2009 O'Donnell  
D603,755 S 11/2009 Peters  
D604,203 S 11/2009 O'Donnell  
D605,082 S 12/2009 Munson  
D605,083 S 12/2009 Manoogian, II et al.  
D605,977 S 12/2009 Zipfel et al.  
D605,978 S 12/2009 Wolff et al.  
D605,992 S \* 12/2009 Leng ..... D12/173  
D608,249 S 1/2010 Peters  
D608,690 S 1/2010 Folden et al.  
D608,691 S 1/2010 Zak, Jr. et al.  
D609,608 S 2/2010 Boniface et al.

(Continued)

*Primary Examiner* — Susan Bennett Hattan  
*Assistant Examiner* — Suzanne E Tisdell  
(74) *Attorney, Agent, or Firm* — Reising Ethington P.C.

(57) **CLAIM**

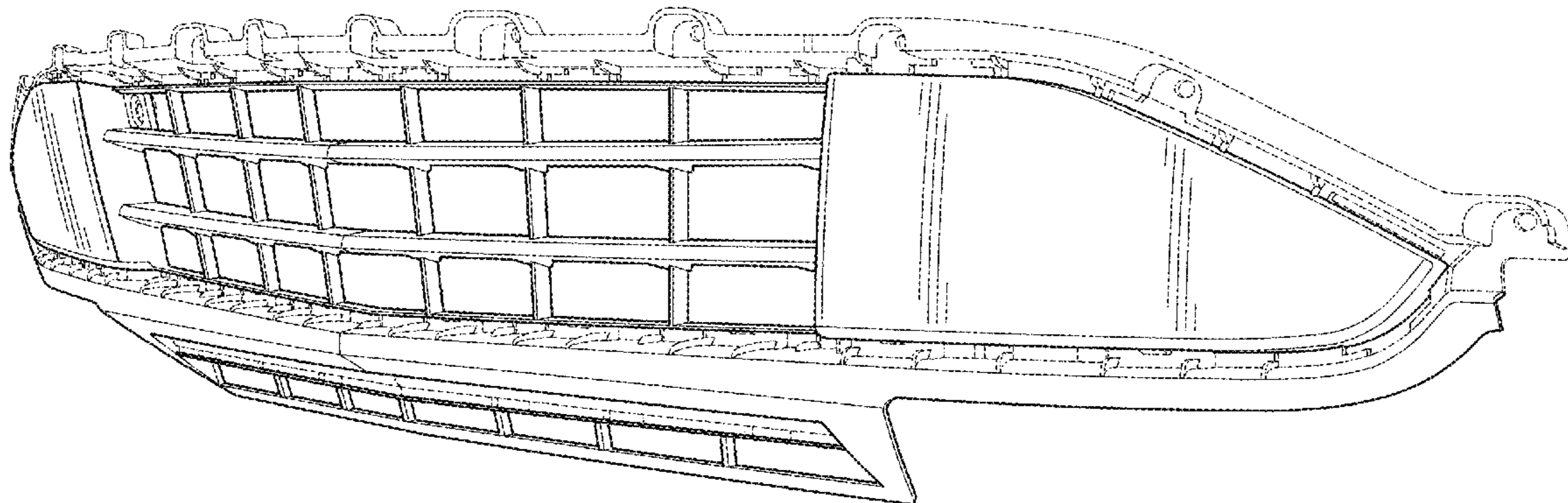
The ornamental design for a vehicle grille, as shown and described.

**DESCRIPTION**

FIG. 1 is a perspective view of the vehicle grille;  
FIG. 2 is a front view thereof;  
FIG. 3 is a left side view thereof (where the right side view is omitted since the right side view is substantially a mirror image of the left side view); and,  
FIG. 4 is a top view thereof.  
In the drawings, the portions shown by broken lines form no part of the claimed design.

**1 Claim, 2 Drawing Sheets**

(56) **References Cited**  
U.S. PATENT DOCUMENTS  
2,537,553 A \* 1/1951 Schonauer ..... B60R 19/52 180/68.6  
4,168,855 A \* 9/1979 Koch ..... B60R 19/52 293/115  
5,193,636 A \* 3/1993 Holm ..... B60K 11/08 180/68.1  
5,452,931 A \* 9/1995 Chase ..... B60K 11/08 180/68.6  
5,482,336 A \* 1/1996 Rouse ..... B60R 19/52 180/68.5  
6,027,150 A \* 2/2000 Flewitt ..... B60K 11/08 180/68.6



(56)

References Cited

U.S. PATENT DOCUMENTS

D610,053 S *	2/2010	Sakae .....	D12/163	D732,435 S	6/2015	Mackay	
D611,387 S	3/2010	Thompson et al.		D733,002 S	6/2015	Loeb	
D611,879 S	3/2010	Kim et al.		D735,611 S	8/2015	Aengenheyster et al.	
D612,297 S	3/2010	Peters et al.		D735,627 S	8/2015	Smith	
D613,645 S	4/2010	Song et al.		D736,451 S	8/2015	Smith	
D615,458 S	5/2010	Thompson et al.		D739,306 S	9/2015	McMahan et al.	
D618,595 S	6/2010	Ware et al.		D739,317 S	9/2015	McMahan et al.	
D623,090 S	9/2010	Cox et al.		D741,223 S	10/2015	Kim et al.	
D627,262 S	11/2010	Ikeda et al.		D743,309 S	11/2015	Thole et al.	
D635,488 S	4/2011	Phipps		D743,313 S	11/2015	Smith et al.	
D640,956 S *	7/2011	Leahy .....	D12/163	D743,314 S	11/2015	Thole et al.	
D644,147 S	8/2011	Suh et al.		D743,857 S	11/2015	McMahan et al.	
D644,567 S	9/2011	Kozub		D744,158 S	11/2015	Willett et al.	
D645,797 S *	9/2011	Beigel .....	D12/163	D745,086 S	12/2015	Finos et al.	
D657,718 S	4/2012	Zipfel et al.		D745,719 S	12/2015	Boniface et al.	
D659,052 S	5/2012	Ware et al.		D745,725 S	12/2015	McMahan et al.	
D659,053 S	5/2012	Ware et al.		D745,726 S	12/2015	McMahan et al.	
D661,231 S *	6/2012	Galante .....	D12/163	D745,837 S	12/2015	Smith et al.	
D668,182 S	10/2012	Franco et al.		D746,726 S	1/2016	Smith et al.	
D668,183 S	10/2012	Smart		D746,727 S	1/2016	Smith et al.	
D678,820 S	3/2013	Son et al.		D746,728 S	1/2016	Smith et al.	
D678,821 S	3/2013	Ikeda et al.		D746,729 S	1/2016	Boniface et al.	
D680,909 S	4/2013	Munson et al.		D746,730 S *	1/2016	Kim .....	D12/163
D680,910 S	4/2013	David		D747,514 S	1/2016	McMahan et al.	
D683,668 S *	6/2013	Thurber .....	D12/163	D747,515 S	1/2016	McMahan et al.	
D684,899 S	6/2013	Baker		D747,819 S	1/2016	Thole et al.	
D686,536 S	7/2013	McCabe et al.		D749,021 S	2/2016	Boniface et al.	
D686,543 S *	7/2013	Weil .....	D12/163	D749,026 S	2/2016	Smith et al.	
D691,072 S *	10/2013	Cheng .....	D12/163	D749,027 S	2/2016	McMahan et al.	
D692,798 S	11/2013	Thurber		D749,246 S	2/2016	Thole et al.	
D692,799 S	11/2013	Smith et al.		D749,249 S	2/2016	Thole et al.	
D696,157 S	12/2013	Loeb		D749,250 S	2/2016	Thole et al.	
D699,629 S	2/2014	Ikeda et al.		D749,985 S	2/2016	Kozub et al.	
D700,871 S	3/2014	O'Donnell et al.		D749,997 S	2/2016	McMahan et al.	
D703,103 S	4/2014	Lee		D750,001 S	2/2016	Thole et al.	
D704,103 S	5/2014	Mack et al.		D753,032 S	4/2016	Smith et al.	
D705,132 S	5/2014	Ware et al.		D753,033 S	4/2016	Thole et al.	
D705,699 S	5/2014	Ware et al.		D753,034 S	4/2016	Thole et al.	
D708,992 S *	7/2014	Ito .....	D12/163	D753,035 S	4/2016	Boniface et al.	
D713,298 S	9/2014	Dyson		D753,559 S	4/2016	McMahan et al.	
D713,764 S	9/2014	Ferlazzo et al.		D753,560 S	4/2016	McMahan et al.	
D716,696 S	11/2014	Thole et al.		D753,567 S	4/2016	Boniface et al.	
D716,706 S	11/2014	Thole et al.		D754,571 S	4/2016	Boniface et al.	
D716,709 S	11/2014	Thole et al.		D754,572 S	4/2016	McMahan et al.	
D717,696 S	11/2014	Thole et al.		D754,573 S *	4/2016	Wu .....	D12/163
D718,189 S	11/2014	Krieg et al.		D755,088 S	5/2016	McMahan et al.	
D718,683 S	12/2014	Thole et al.		D756,869 S	5/2016	McMahan et al.	
D722,282 S	2/2015	Loeb		D758,271 S	6/2016	McMahan et al.	
D722,533 S	2/2015	Thole et al.		D759,550 S *	6/2016	Vena .....	D12/163
D722,534 S	2/2015	Munson et al.		D775,555 S *	1/2017	Myrberg .....	D12/163
D724,510 S	3/2015	McMahan et al.		D787,384 S *	5/2017	Ito .....	D12/163
D725,001 S	3/2015	McMahan et al.		D790,410 S *	6/2017	Ito .....	D12/163
D726,591 S	4/2015	Jacob		2004/0262061 A1 *	12/2004	Bahr .....	B60K 11/08 180/69.2
D726,601 S *	4/2015	Duff .....	D12/163	2005/0006913 A1 *	1/2005	Otte .....	B60R 19/52 293/115
D730,776 S	6/2015	Smart		2007/0115434 A1 *	5/2007	Oba .....	B60R 13/00 352/243
D730,783 S	6/2015	Henriques et al.		2007/0182174 A1 *	8/2007	Nakayama .....	B60R 19/52 293/115
D730,786 S *	6/2015	Duff .....	D12/163	2013/0293104 A1 *	11/2013	Wu .....	B60Q 1/50 315/77
D732,427 S	6/2015	Loeb		2016/0229223 A1 *	8/2016	Kajitani .....	B44C 1/1712
D732,429 S	6/2015	Loeb		2016/0257193 A1 *	9/2016	Prabhudesai .....	B60K 11/04
D732,430 S	6/2015	Loeb		2017/0072888 A1 *	3/2017	Wubs .....	B60R 19/38
D732,431 S	6/2015	Loeb					
D732,432 S	6/2015	Aengenheyster					
D732,433 S	6/2015	Aengenheyster					

\* cited by examiner

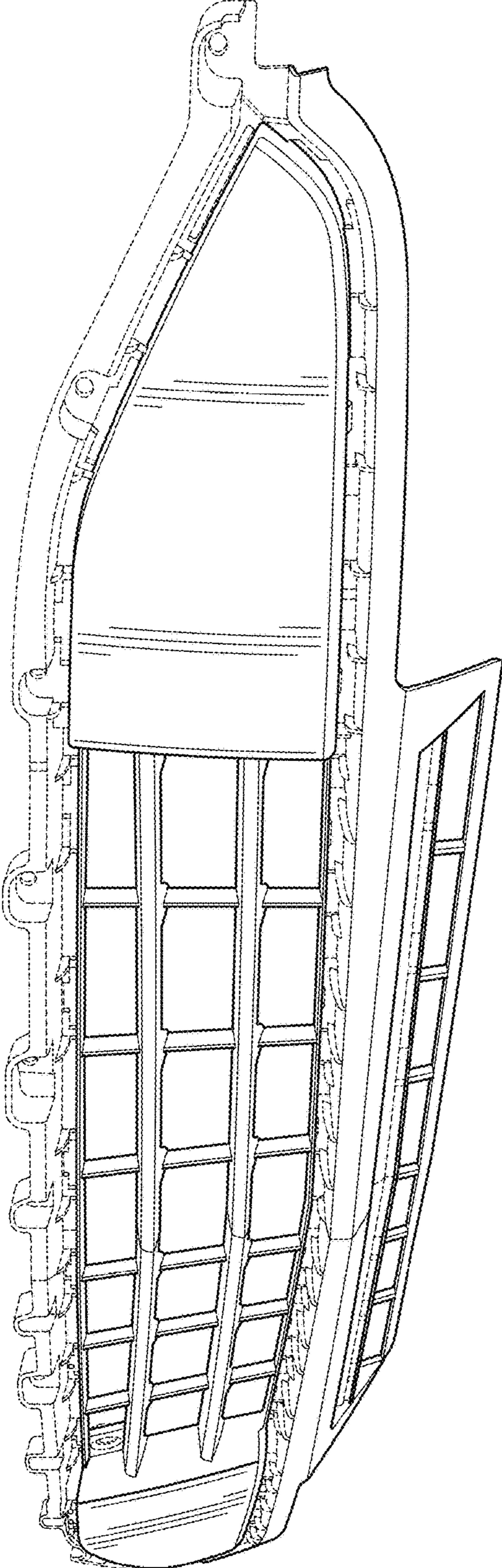


FIG. 1

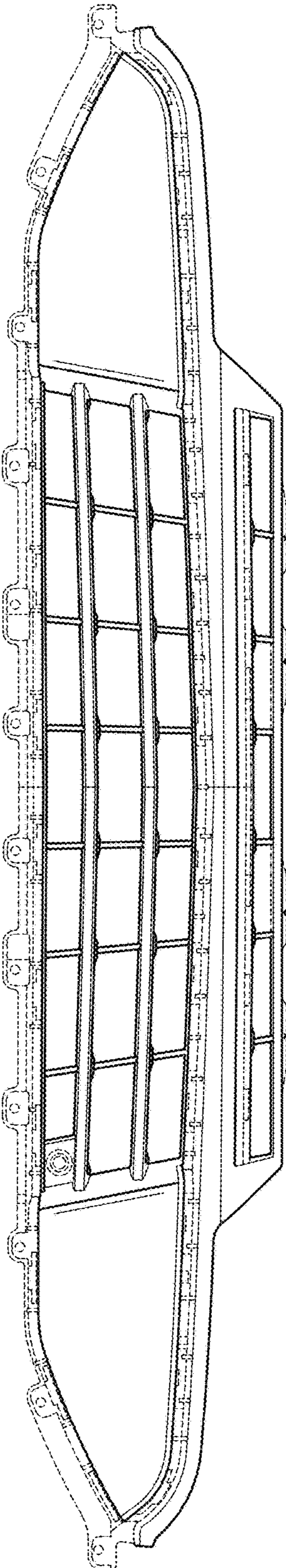


FIG. 2

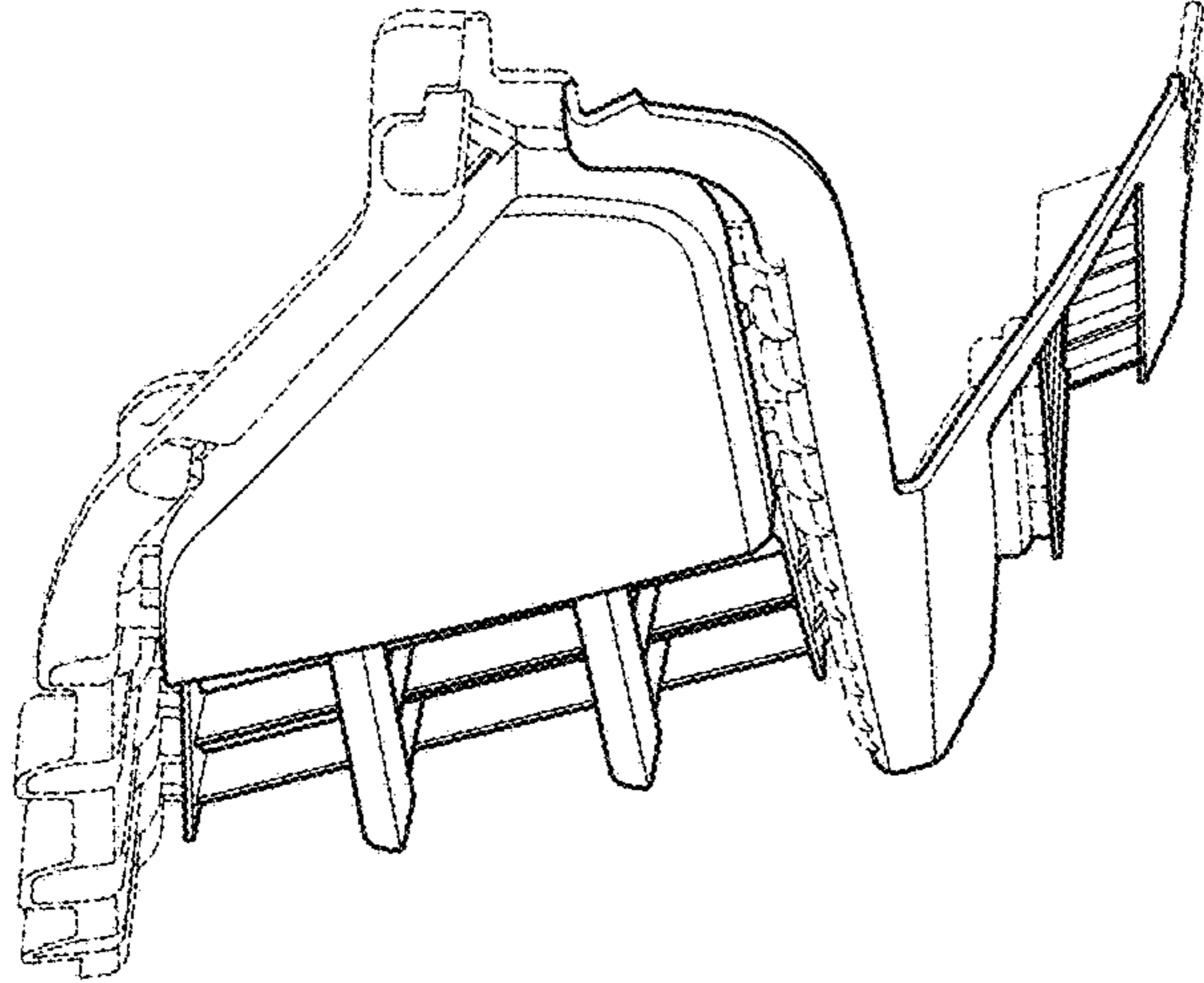


FIG. 3

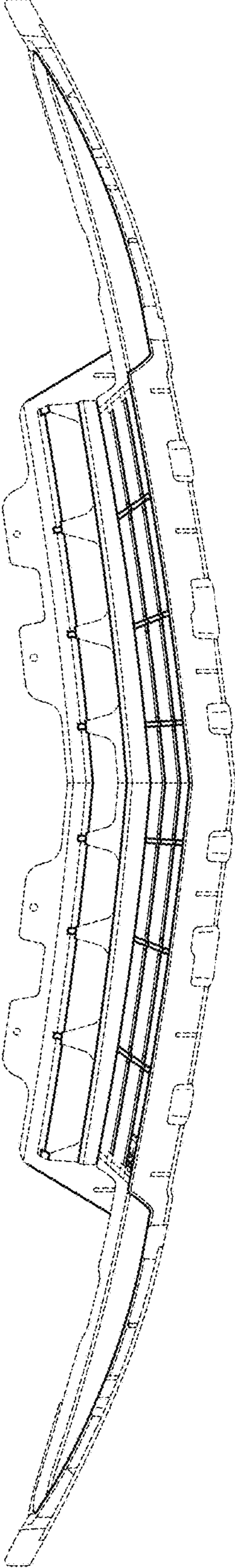


FIG. 4