



US00D815569S

(12) **United States Design Patent**
Kuenen

(10) **Patent No.:** **US D815,569 S**

(45) **Date of Patent:** **** Apr. 17, 2018**

(54) **SEAT FOR BABY CARRIAGES**

(71) Applicant: **MILK HOLDING B.V.**, Amsterdam
(NL)

(72) Inventor: **Emile Gerardus Theodorus Kuenen**,
Amsterdam (NL)

(**) Term: **15 Years**

(21) Appl. No.: **35/502,214**

(22) Filed: **Sep. 12, 2016**

(80) **Hague Agreement Data**

Int. Filing Date: **Sep. 12, 2016**

Int. Reg. No.: **DM/093964**

Int. Reg. Date: **Sep. 12, 2016**

Int. Reg. Pub. Date: **Dec. 30, 2016**

(51) **LOC (11) Cl.** **12-12**

(52) **U.S. Cl.**
USPC **D12/133; D6/333**

(58) **Field of Classification Search**
USPC **D12/128-133; D6/333**
CPC **B62B 7/00-7/04; B62B 9/00-9/28; A47C**
4/54; A47C 7/021; A47C 31/11
See application file for complete search history.

(56) **References Cited**

U.S. PATENT DOCUMENTS

D310,054 S *	8/1990	Tucker	D12/129
D369,992 S *	5/1996	Baechler	D12/129
D452,197 S *	12/2001	Martin	D12/129
D471,727 S *	3/2003	King	D6/333
D524,560 S *	7/2006	Berhow	D6/335
D598,664 S *	8/2009	Giampavolo	D6/333
D613,955 S *	4/2010	Kho	D6/333
D617,239 S *	6/2010	Storm	D12/133
D654,409 S *	2/2012	Angelfoss	D12/133

D683,974 S *	6/2013	Leys	D6/333
D699,635 S *	2/2014	Slotteroy	D12/133
8,764,048 B1 *	7/2014	Ahnert	B62B 9/104
				280/47.4
D791,024 S *	7/2017	Mazar	D12/129
2011/0175306 A1 *	7/2011	Newhard	B62B 9/104
				280/47.4
2011/0309658 A1 *	12/2011	Carimati Di		
		Carimate	A47D 1/008
				297/68
2014/0319884 A1 *	10/2014	Doucette	B62B 7/00
				297/118

* cited by examiner

Primary Examiner — Darlington Ly

(57) **CLAIM**

The ornamental design for a seat for baby carriages, as shown and described.

DESCRIPTION

1. Seat for baby carriages

1.1 is a top, front, and right side perspective view of a seat for baby carriages showing my new design;

1.2 is a top, rear, and right side perspective view thereof;

1.3 is a rear elevation view thereof;

1.4 is a right side elevation view thereof;

1.5 is a right side elevation view thereof, wherein the seat is shown in a fully reclined position;

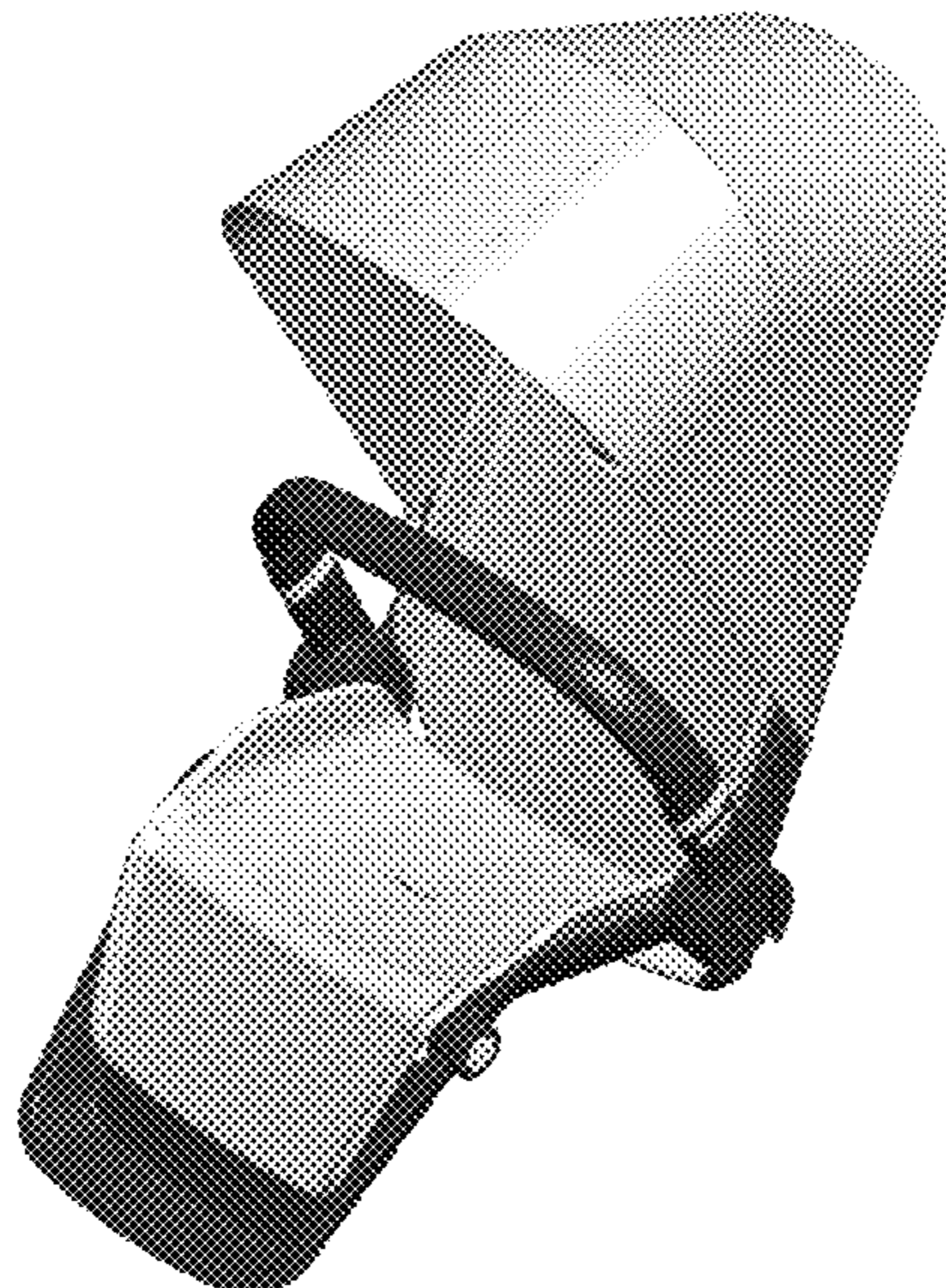
1.6 is a rear and left side view thereof, wherein the seat is shown in a collapsed position;

1.7 is a front and left side perspective view thereof, wherein the seat is shown in a collapsed position; and

1.8 is a top, front, and right side perspective view thereof, wherein the seat is shown installed in an exemplary baby carriage.

The broken line showing of a baby carriage is provided for the purpose of illustrating environmental structure, of which forms no part of the claimed design.

1 Claim, 8 Drawing Sheets



1.1



1.2



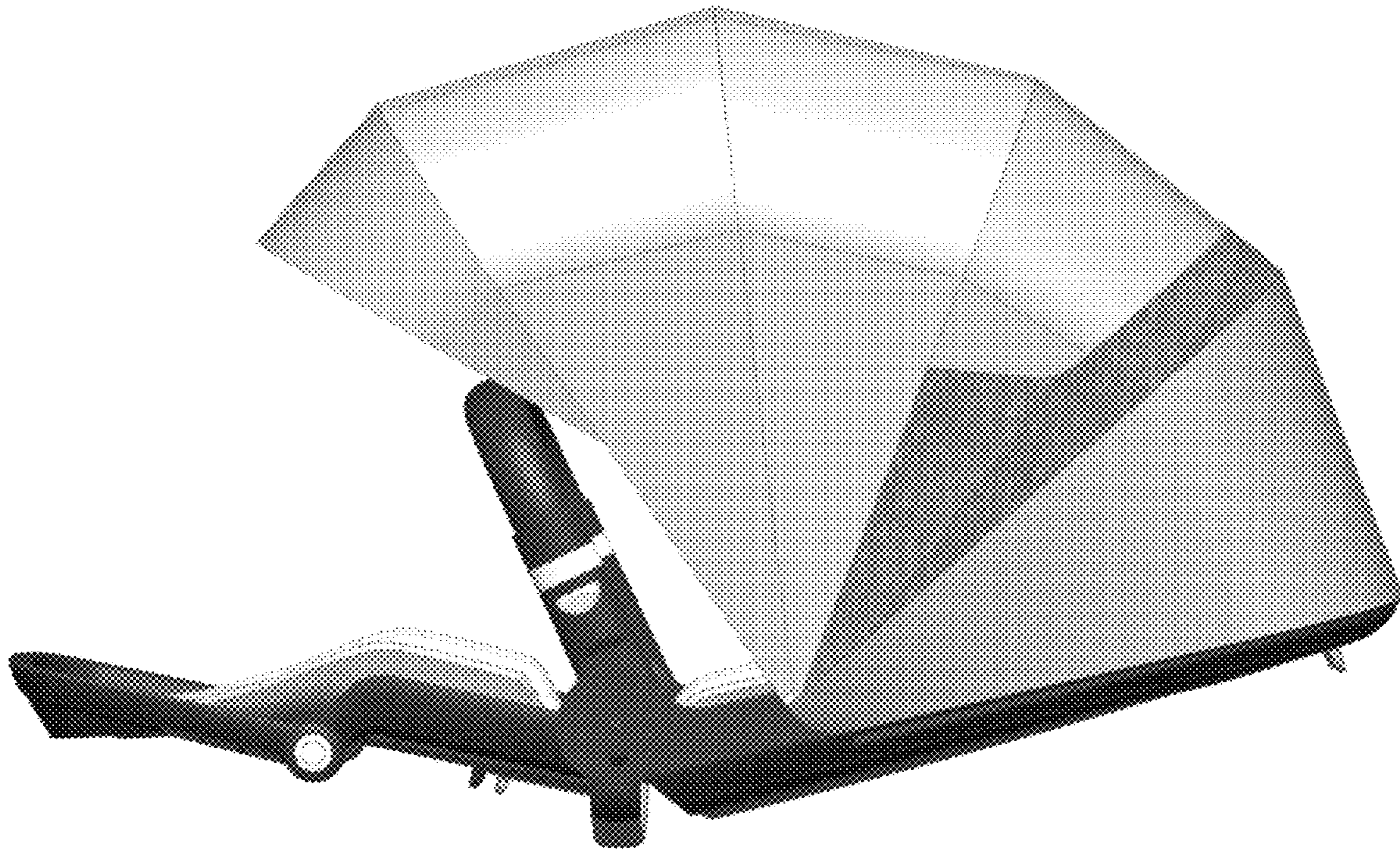
1.3



1.4



1.5



1.6



1.7



1.8

