



US00D815568S

(12) **United States Design Patent**
Oakes

(10) **Patent No.:** **US D815,568 S**

(45) **Date of Patent:** **** Apr. 17, 2018**

(54) **STROLLER**

(71) Applicant: **Stroller Tech Limited**, Hong Kong
(HK)

(72) Inventor: **Michael John Oakes**, Ipswich (GB)

(73) Assignee: **STROLLER TECH LIMITED** (HK)

(**) Term: **15 Years**

(21) Appl. No.: **29/590,990**

(22) Filed: **Jan. 15, 2017**

(30) **Foreign Application Priority Data**

Jul. 15, 2016 (CN) 2016 3 0326008

(51) **LOC (11) Cl.** **12-12**

(52) **U.S. Cl.**
USPC **D12/129**

(58) **Field of Classification Search**
USPC D12/128-133
CPC B62B 7/00-7/04; B62B 9/00-9/28
See application file for complete search history.

(56) **References Cited**

U.S. PATENT DOCUMENTS

D566,013 S * 4/2008 Wang D12/129
D579,827 S * 11/2008 Lake D12/129

D580,306 S * 11/2008 Chen D12/129
D580,828 S * 11/2008 Chen D12/129
D616,339 S * 5/2010 Kho D12/129
D643,786 S * 8/2011 Barenbrug D12/129
D672,692 S * 12/2012 Jane Santamaria D12/129
D715,702 S * 10/2014 Chen D12/129
D721,015 S * 1/2015 Bassan D12/129
D737,733 S * 9/2015 Zhong D12/129
D742,792 S * 11/2015 Goldberg D12/129
D765,555 S * 9/2016 Lai D12/129

* cited by examiner

Primary Examiner — Charles Hanson

(74) *Attorney, Agent, or Firm* — Barlow, Josephs & Holmes, LTD.

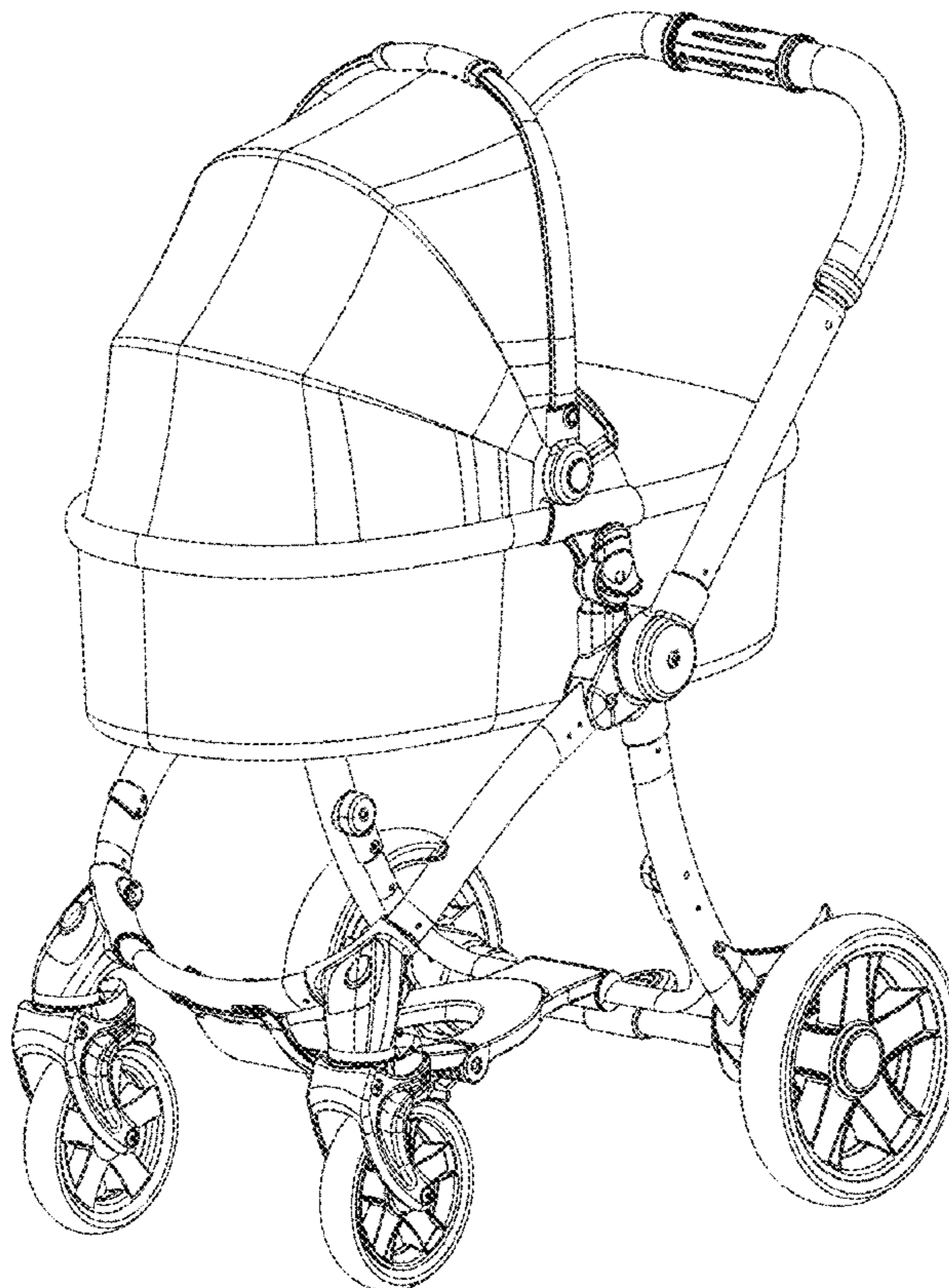
(57) **CLAIM**

The ornamental design for a stroller, as shown and described.

DESCRIPTION

FIG. 1 is a perspective view of the stroller;
FIG. 2 is a right view thereof;
FIG. 3 is top view thereof;
FIG. 4 is a bottom view thereof;
FIG. 5 is a front view thereof; and,
FIG. 6 is a rear view thereof.

1 Claim, 6 Drawing Sheets



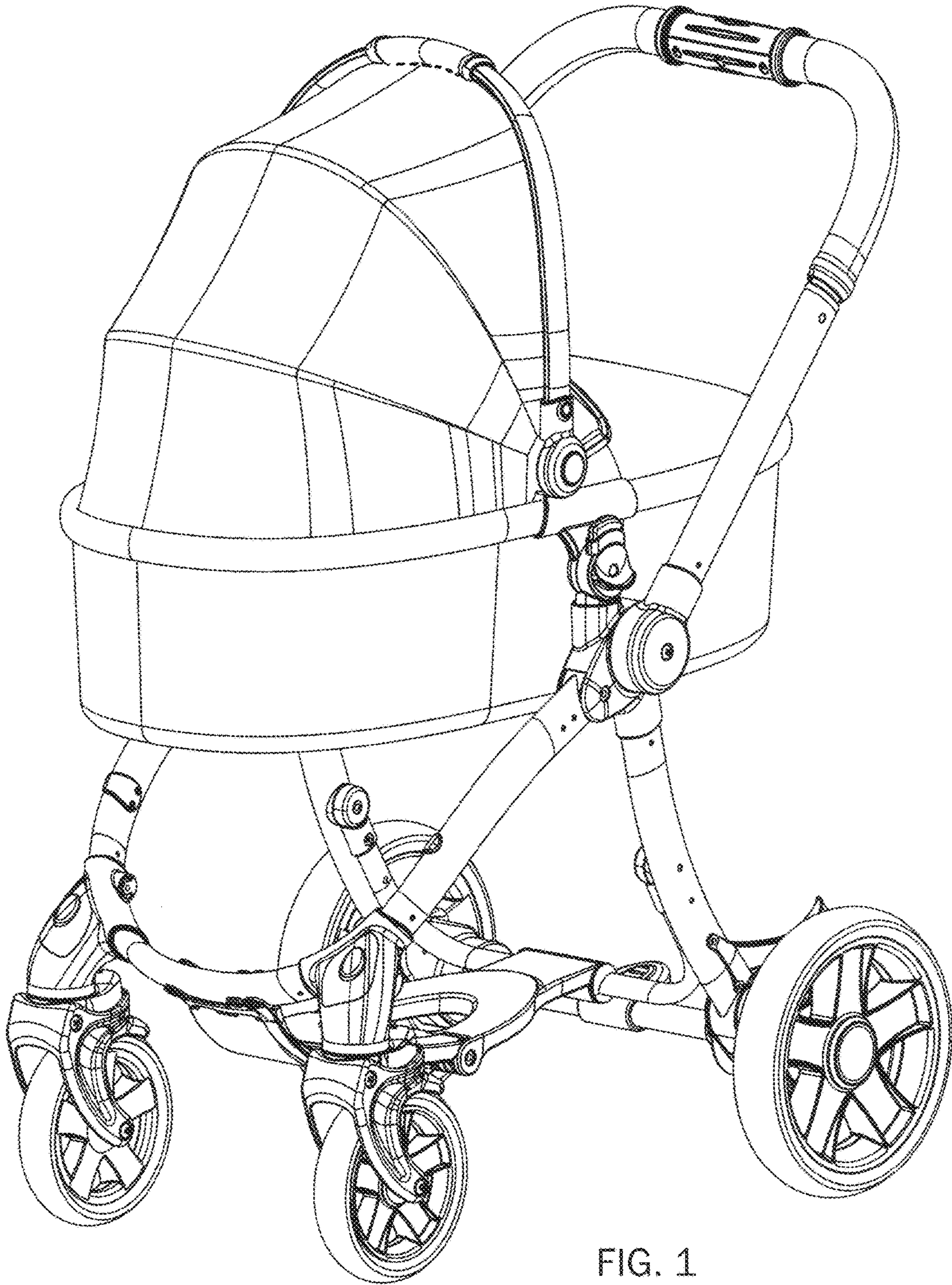


FIG. 1

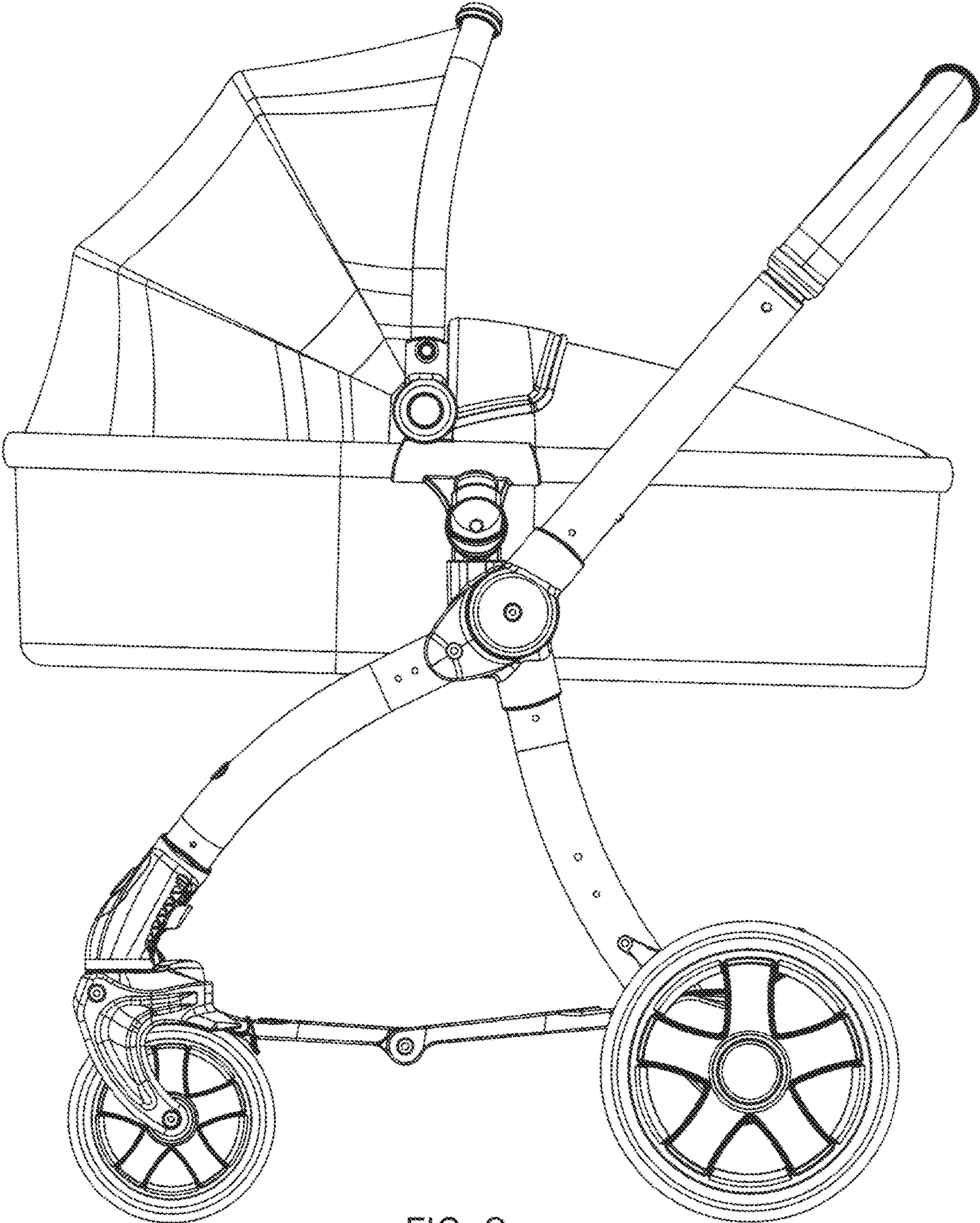


FIG. 2

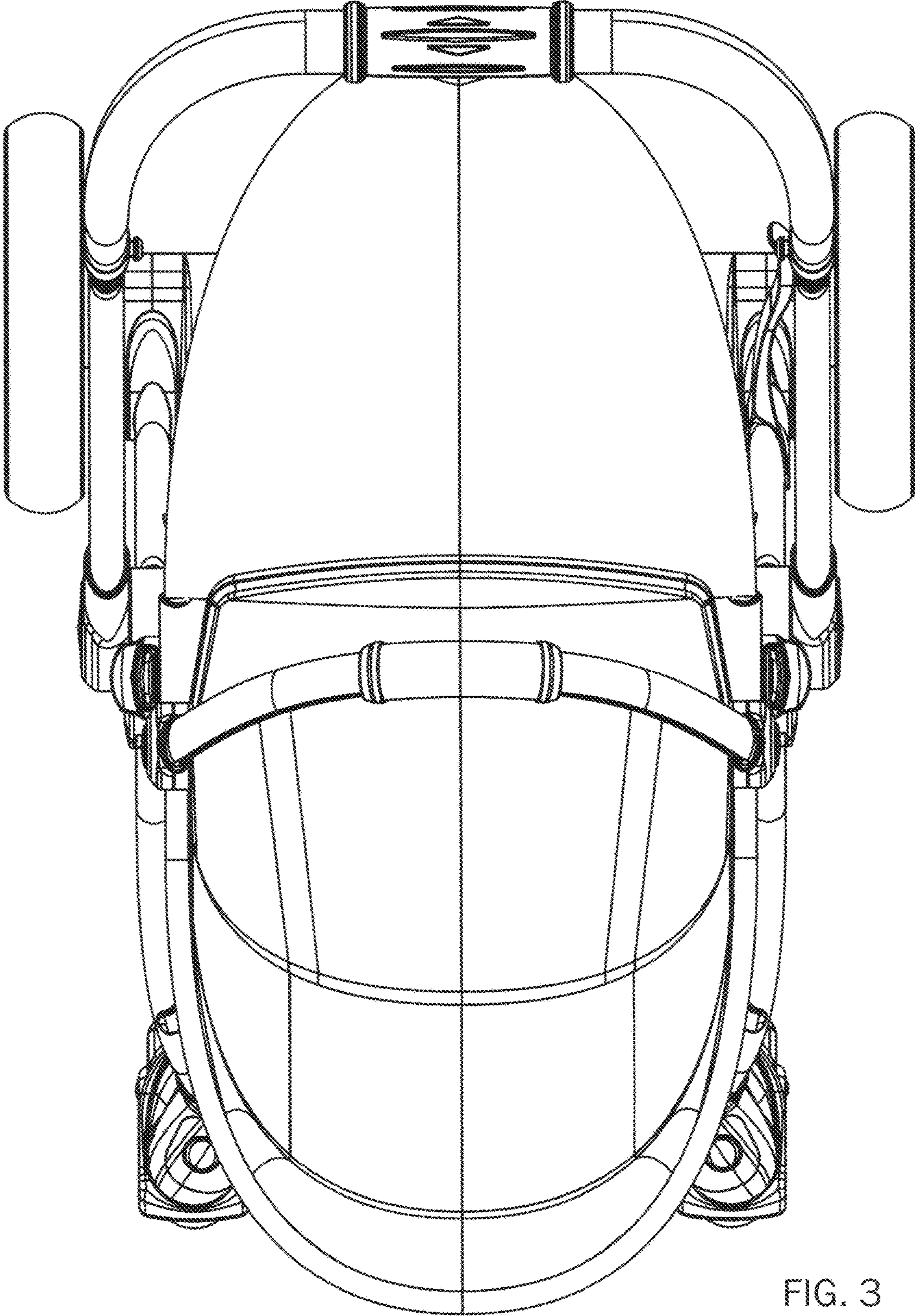


FIG. 3

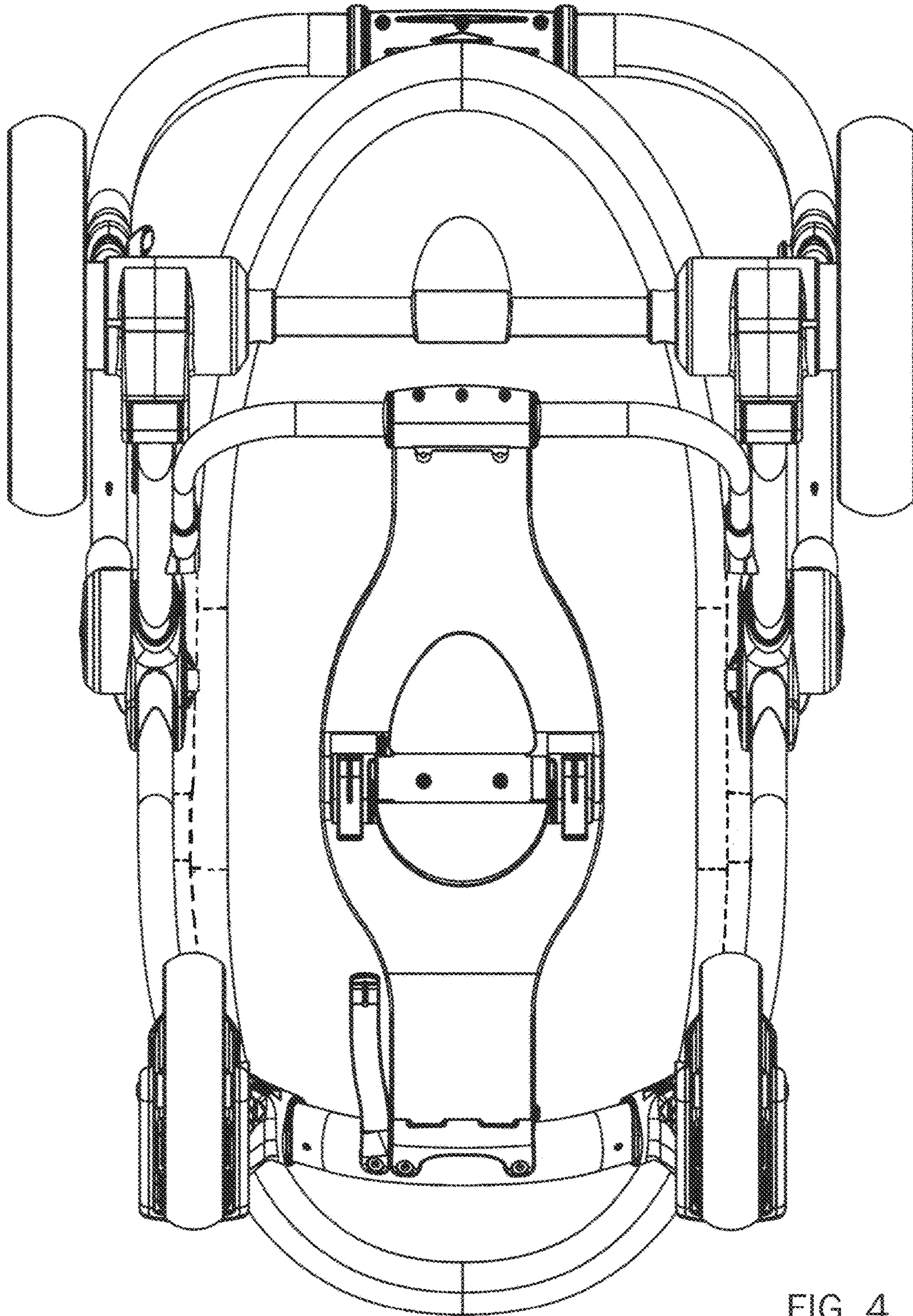


FIG. 4

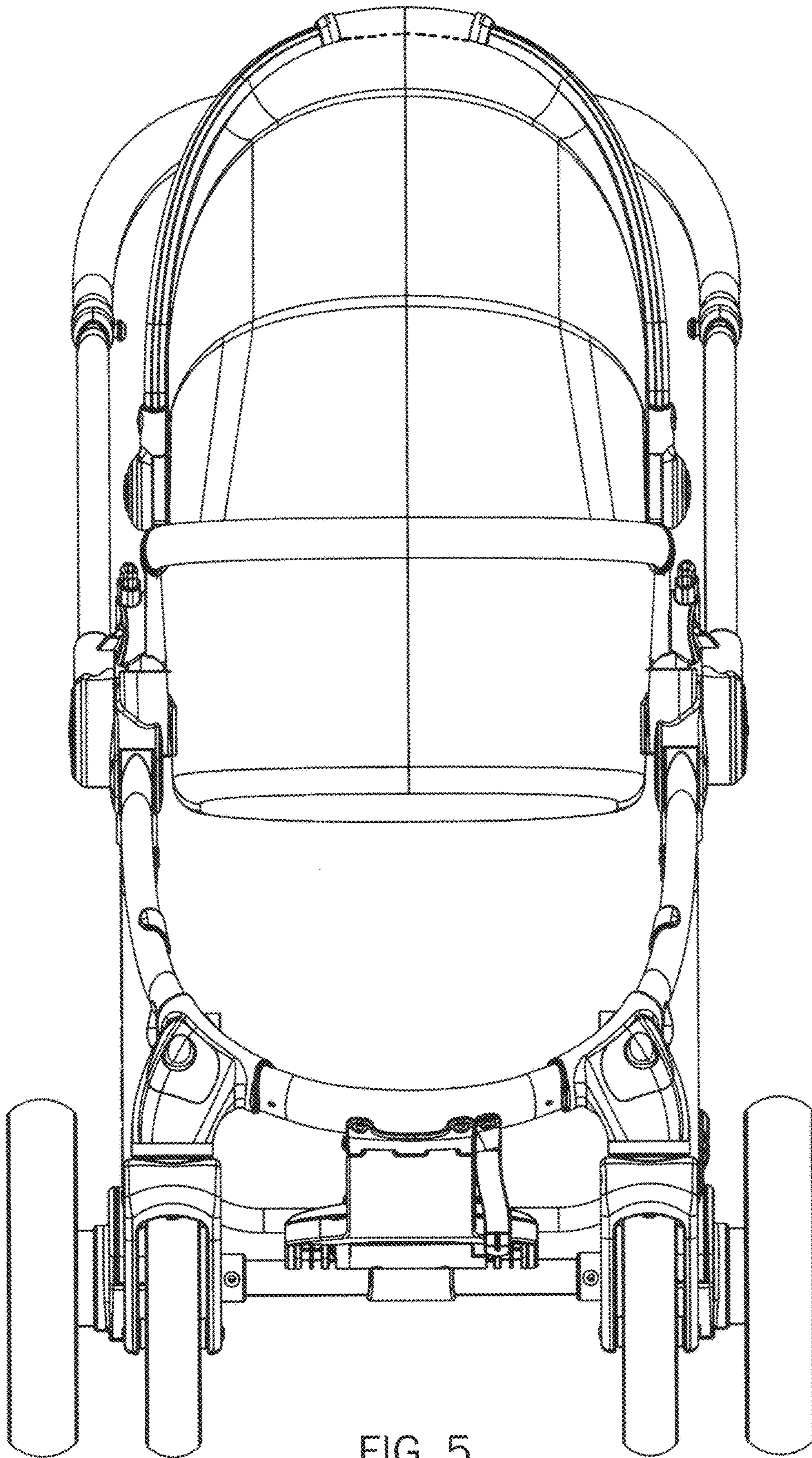


FIG. 5

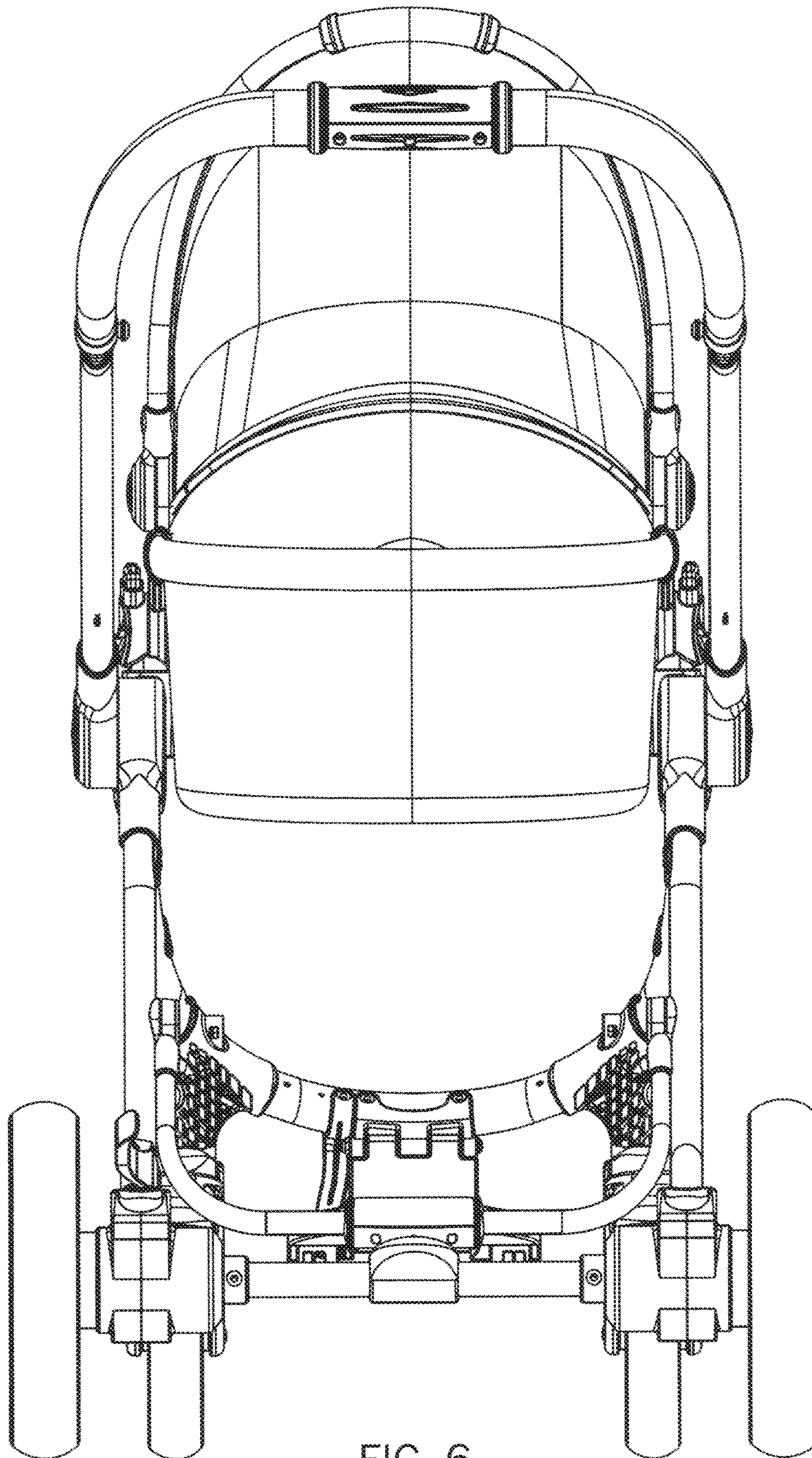


FIG. 6